

CA 410

Model:
CA 410
CA 410 CN



Part List US-English

07-08-2009

Table of Contents

CA 410

Solution tank	3
Vacuum system	5
Recovery tank - before Serial no. 054619045	7
Recovery tank - from Serial no. 045619045	9
Handle assembly	11
Solution system	13
Squeegee assembly	15
Brush system - before Serial no. 045920336	17
Brush system - from Serial no. 045920336	19
Wiring system	22
Accessories 1	24
Accessories 2	26
Recommended spare parts	28
Wiring diagram	31

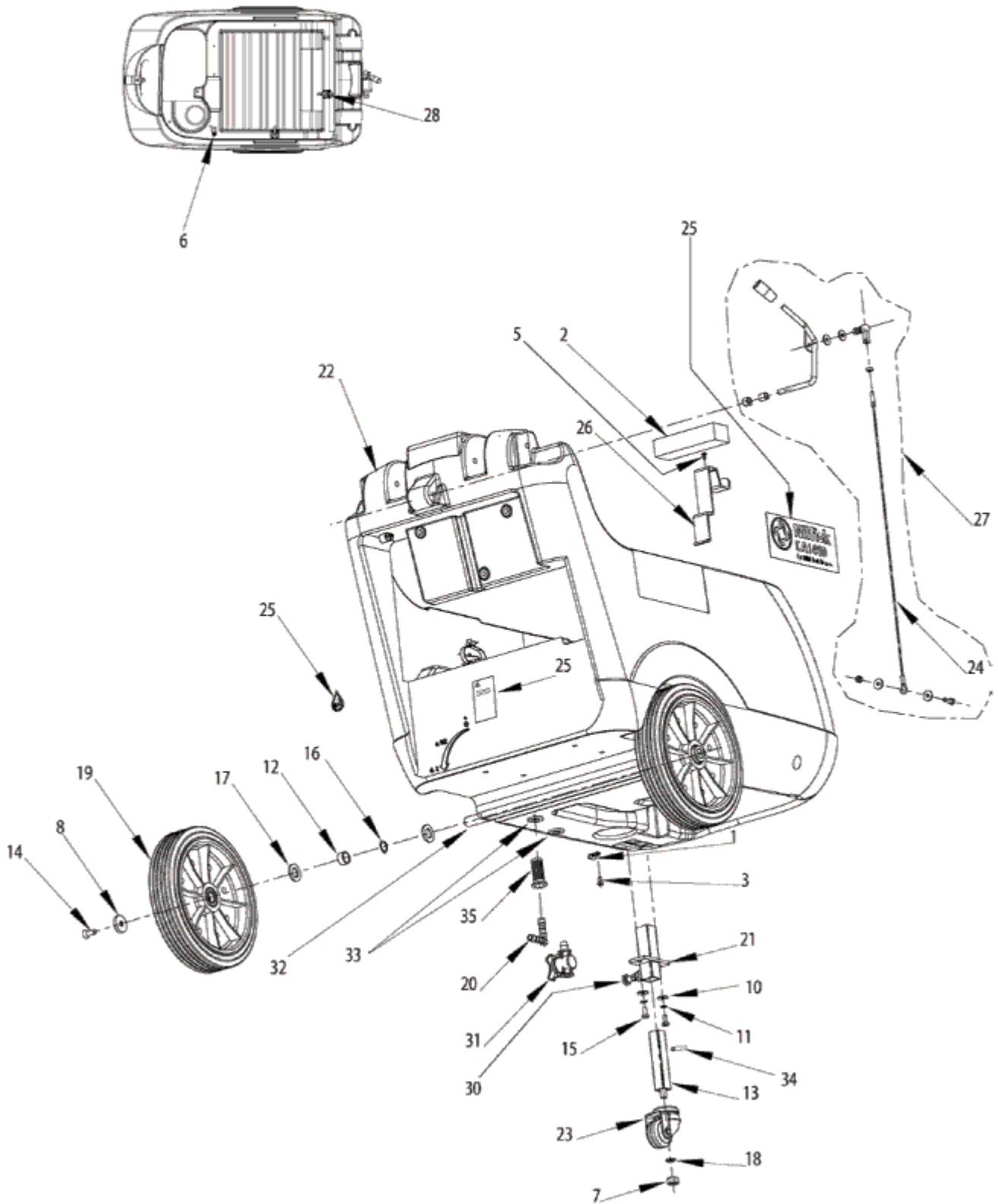
Solution tank

CA 410

07-08-2009

Part List ID E7613

3



Solution tank

CA 410

07-08-2009

Part List ID

E7613

4

Pos	Part no.	Qty	Description	EAN
0	909 5986 000	1	HARDWARE. TANK FIXING KIT	5711140125
0	909 6226 000	1	RUBBER SHOCK ABSORBER KITBA/CA 410	5711140126
0	909 6227 000	1	INSTRUCTIONS INSTALLATIONRUBBER SHOCK AB	5711140126
0	9097770000	1	DECALS KIT CA 410	5711140137
1		3	NOTE COMMENT CLAMP	5701715456
2	909 5674 000	1	SPONGE INLET FRESH WATER TANK	5711140123
3	L08603041	5	SCREW M5X10 UNI7985	5711140013
5		1	NOTE COMMENT SCREW 4,2X9,5 THD FORM	5701715456
6		2	NOTE COMMENT CLAMP	5701715456
7		1	NOTE COMMENT NUT HEX HIGH SELF LOCK M10	5701715456
8	L08812392	2	BUSHING	5711140018
10	L08228600	4	WASHER 6X18 UNI6592	5711140012
11		2	NOTE COMMENT WASHER SPLIT 6	5701715456
12		2	NOTE COMMENT SPACER	5701715456
13	909 5658 000	1	ROD MACHINE SUPPORTING	5711140123
14		2	NOTE COMMENT SCREW M8X20	5701715456
15		2	NOTE COMMENT SCREW HEX HD 6X14	5701715456
16		2	NOTE COMMENT RETAINING RING	5701715456
17		4	NOTE COMMENT WASHER FLAT 16X30	5701715456
18		1	NOTE COMMENT SPACER	5701715456
20	909 5285 000	1	ELBOW 90. D.10 NYLON	5711140122
21	909 5649 000	1	SUPPORT	5711140123
22	909 5551 000	1	TANK SOLUTION	5711140123
23	909 5560 000	1	WHEEL	5711140123
24	909 5573 000	1	CABLE SQUEEGEE LIFTING	5711140123
26	909 5644 000	1	BRACKET	5711140123
27	909 5700 000	1	CABLE SQUEEGEE LIFT KIT	5711140123
28		3	NOTE COMMENT CLAMP	5701715456
30	909 5641 000	1	PLUNGER INDEXING	5711140123
31	909 5696 000	1	VALVE	5711140123
32	909 5748 000	1	SHAFT WHEELS	5711140124
33	909 5286 000	2	GASKET	5711140122
34	909 6441 000	1	PIN 3X20 UNI6873	5711140128
5A	9096916000	1	FILTER SOLUTION TANK	5711140131
19A	9096915000	2	WHEEL	5711140131

Note:

A: TSB IT 2007-015

Vacuum system

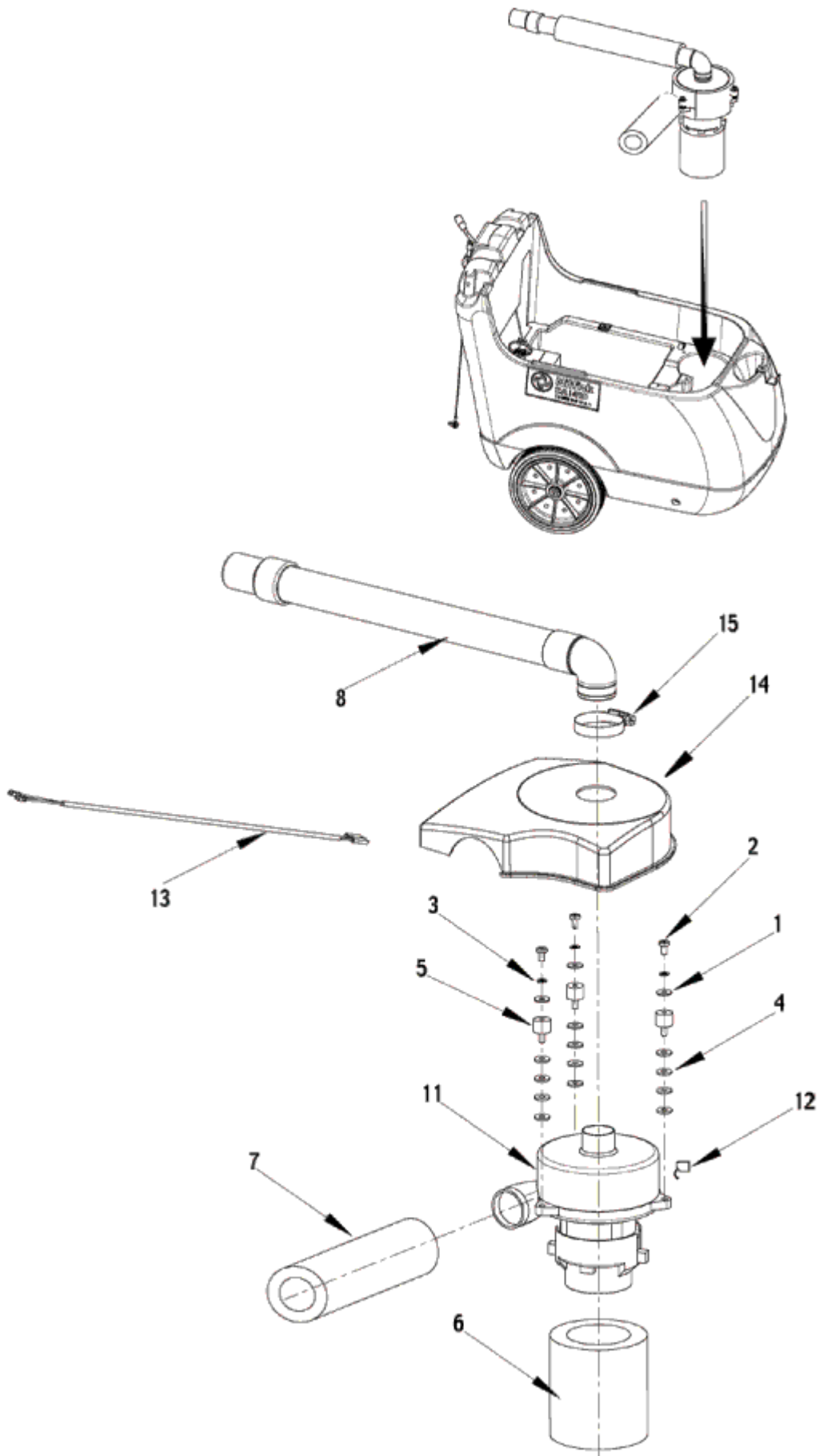
CA 410

07-08-2009

Part List ID

E7615

5



Vacuum system

CA 410

07-08-2009

Part List ID

E7615

6

Pos	Part no.	Qty	Description	EAN
0	909 5987 000	1	HARDWARE. VAC.MOTOR KIT	5711140125
1		15	NOTE COMMENT	WASHER FALT 6X18 5701715456
2		3	NOTE COMMENT	SCREW CYL HD M6X12 5701715456
3		3	NOTE COMMENT	WASHER SPLIT 6 5701715456
4	L08228600	12	WASHER 6X18 UNI6592	5711140012
5	909 5198 000	3	VIBRATION DAMPING M 6	5711140121
6	909 5564 000	1	PIPE ACOUSTIC INSULATION	5711140123
7	909 5565 000	1	PIPE ACOUSTIC INSULATION	5711140123
8	909 5579 000	1	HOSE VACUUM MOTOR	5711140123
11	909 5723 000	1	MOTOR VACUUM KIT W/CONNEC.AND TE	5711140124
11	909 5979 000	1	MOTOR VACUUM 550W 115V WITH CONNECTOR	5711140125
12	909 5719 000	2	BRUSH CARBON	5711140123
13	909 5598 000	1	CABLE VACUUM	5711140123
14	909 5869 000	1	PROTECTION MOTOR	5711140124
15	145 0543 000	1	CLAMP 14/32-52	5711140023

Recovery tank - before Serial no. 054619045

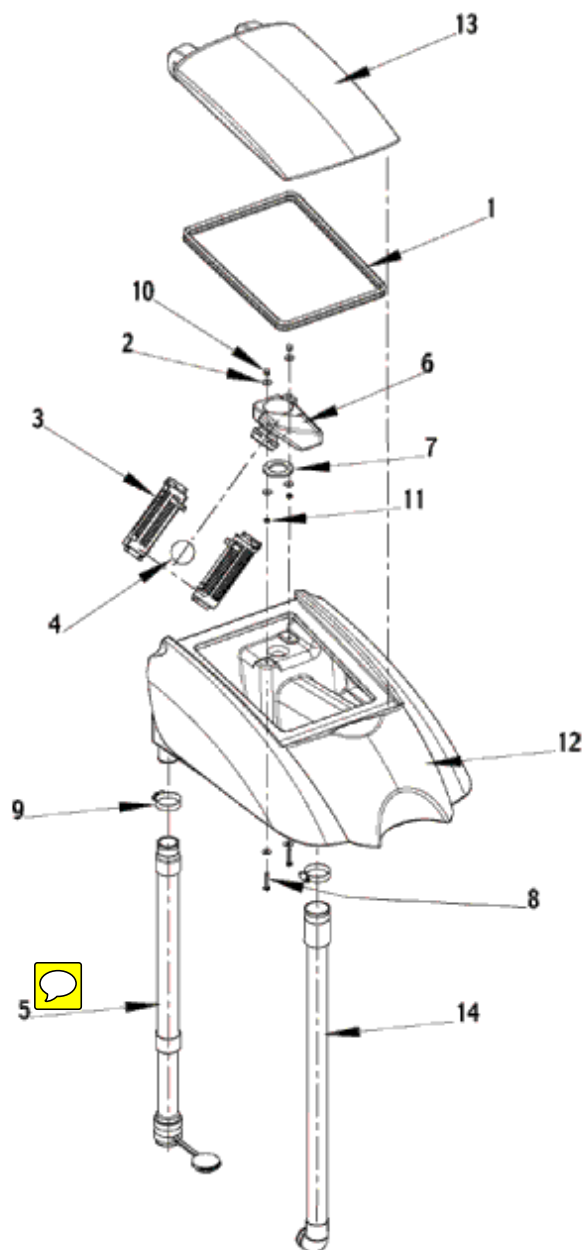
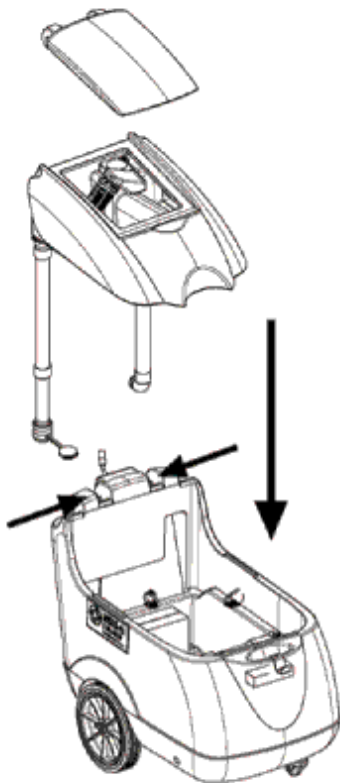
CA 410

07-08-2009

Part List ID

E7617

7



Recovery tank - before Serial no. 054619045

CA 410

07-08-2009

Part List ID

E7617

8

Pos	Part no.	Qty	Description	EAN
0	909 5988 000	1	HARDWARE. TANK FIXING KIT	5711140125
1	909 5716 000	1	GASKET	5711140123
2		6	NOTE COMMENT WASHER FLAT 6X18 SS	5701715456
3	L08812259	2	CAGE.FLOAT CPL	5711140017
4	L08812373	1	BALL FLOATING	5711140018
5	9098255000	1	HOSE DRAIN	5711140140
6	L08812926	1	HOLDER.FLOAT CAGE	5711140020
7	L08812968	1	GASKET	5711140020
8		2	NOTE COMMENT SCREW HEX HD M6X35 SS	5701715456
9		2	NOTE COMMENT CLAMP	5701715456
10		2	NOTE COMMENT BLIND NUT M6 SS	5701715456
11		2	NOTE COMMENT NUT HEX M6 SS	5701715456
12	909 6061 000	1	TANK RECOVERY KIT	5711140125
13	909 5553 000	1	COVER TANKS	5711140123
14	909 5578 000	1	HOSE SUCTION	5711140123

Recovery tank - from Serial no. 045619045

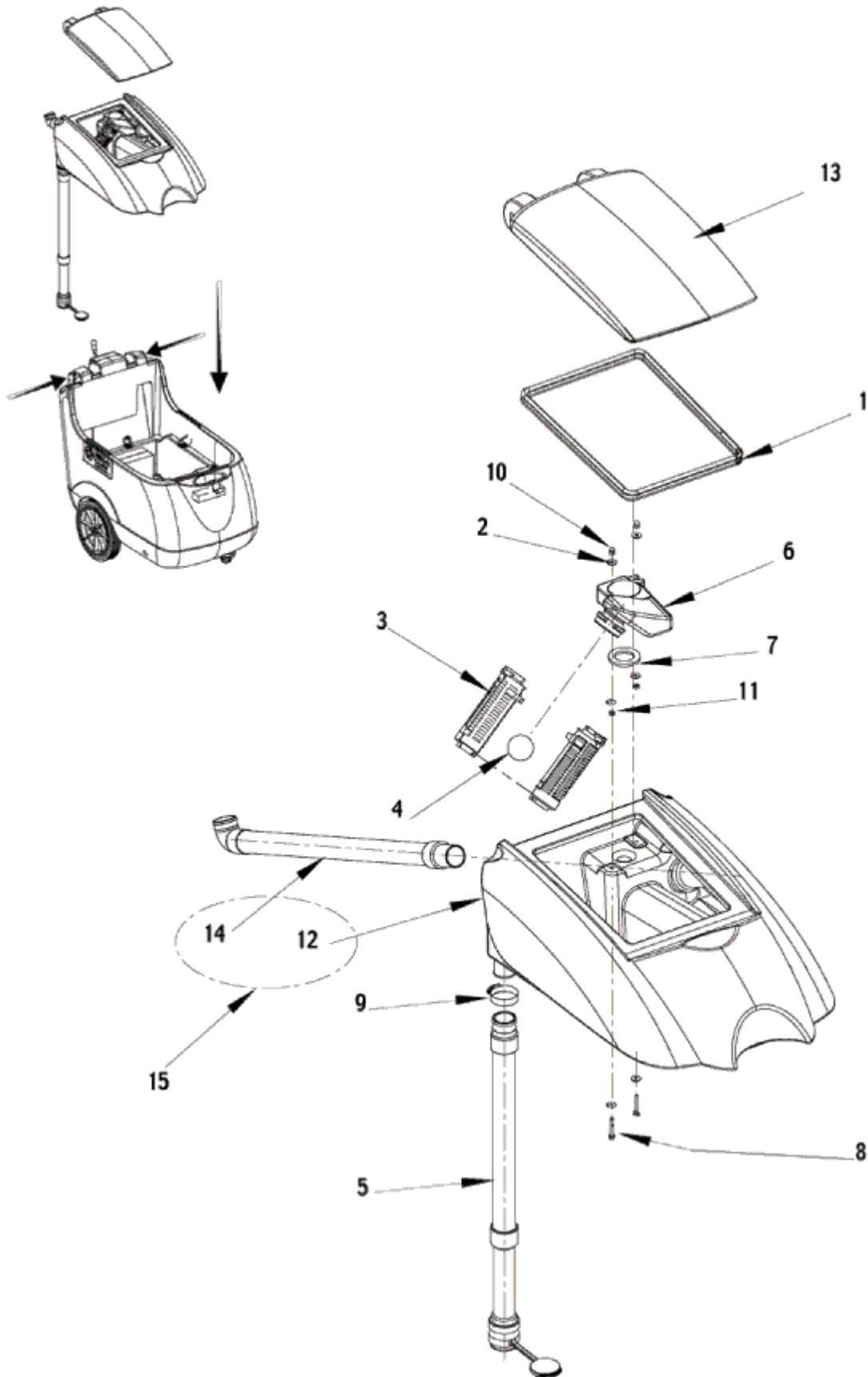
CA 410

07-08-2009

Part List ID

E7619

9



Recovery tank - from Serial no. 045619045

CA 410

07-08-2009

Part List ID

E7619

10

Pos	Part no.	Qty	Description	EAN
0	909 5988 000	1	HARDWARE. TANK FIXING KIT	5711140125
1	909 5716 000	1	GASKET	5711140123
2		6	NOTE COMMENT WASHER FLAT 6X18 SS	5701715456
3	L08812259	2	CAGE.FLOAT CPL	5711140017
4	L08812373	1	BALL FLOATING	5711140018
5	9098255000	1	HOSE DRAIN	5711140140
6	L08812926	1	HOLDER.FLOAT CAGE	5711140020
7	L08812968	1	GASKET	5711140020
8		2	NOTE COMMENT SCREW HEX HD M6X35 SS	5701715456
9		2	NOTE COMMENT CLAMP	5701715456
10		2	NOTE COMMENT BLIND NUT M6 SS	5701715456
11		2	NOTE COMMENT NUT HEX M6 SS	5701715456
12		1	TANK, DIRTY WATER	
13	909 5553 000	1	COVER TANKS	5711140123
14	909 6060 000	1	HOSE.SUCTION	5711140125
15	909 6061 000	1	TANK RECOVERY KIT	5711140125

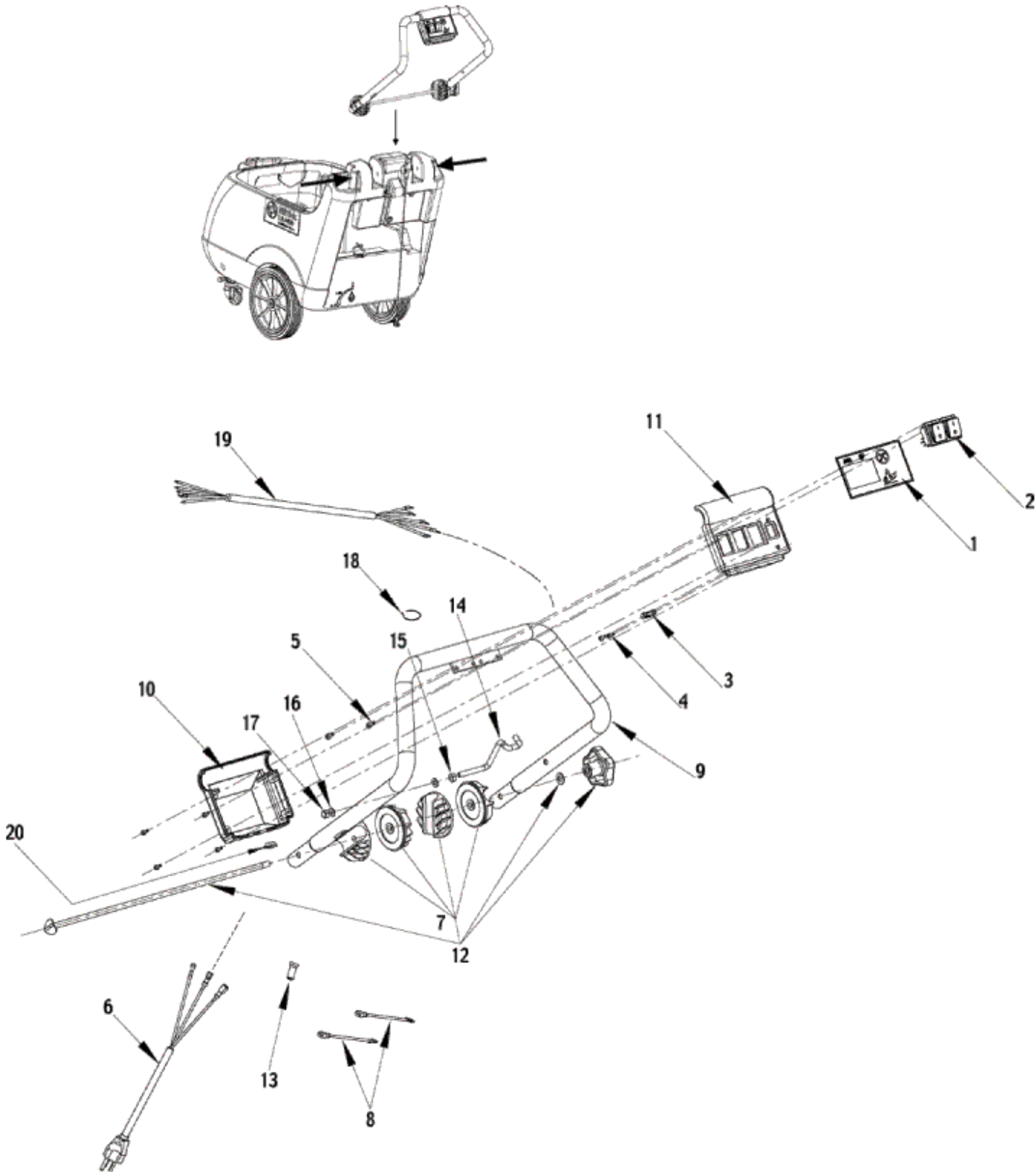
Handle assembly

CA 410

07-08-2009

Part List ID
E76111

11



Handle assembly

CA 410

07-08-2009

Part List ID

E76111

12

Pos	Part no.	Qty	Description	EAN
0	909 5989 000	1	HARDWARE. HANDLE FIX. KIT	5711140125
0	909 6526 000	1	DECAL EARTHING	5711140128
1	909 5592 000	1	DECAL CONTROL PANEL	5711140123
2	909 5584 000	2	SWITCH	5711140123
3		2	NOTE COMMENT CABLE CLAMP	5701715456
4		10	NOTE COMMENT SCREW CYL HD 3,6X16 THD F.	5701715456
5		2	NOTE COMMENT SCREW CYL HD 3,9X13 THD F.	5701715456
6	909 6229 000	1	CABLE POWER SUPPLY ORANGE COLOUR	5711140126
7	909 5099 000	1	RATCHET HANDLE ADJUST.KIT	5711140120
8	L08812916	2	CABLE	5711140020
9	909 6579 000	1	HANDLE BAR	5711140128
10	909 5847 000	1	HOUSING SWITCH. REAR	5711140124
11	909 5846 000	1	HOUSING SWITCH.FRONT	5711140124
12	909 5701 000	1	HANDLE ADJUSTER KIT	5711140123
13	L08603150	1	CHOCK	5711140014
14	909 5591 000	1	SUPPORT CABLE	5711140123
15		1	NOTE COMMENT NUT HEX LOW M8	5701715456
16		2	NOTE COMMENT WASHER	5701715456
17		1	NOTE COMMENT NUT BLIND	5701715456
18		1	NOTE COMMENT CLAMP	5701715456
19	909 5597 000	1	CABLE CONTROL PANEL	5711140123
20	145 4259 000	1	CAP. BLACK D.11.9	5711140011
6a	82179200	1	PLUG UK	

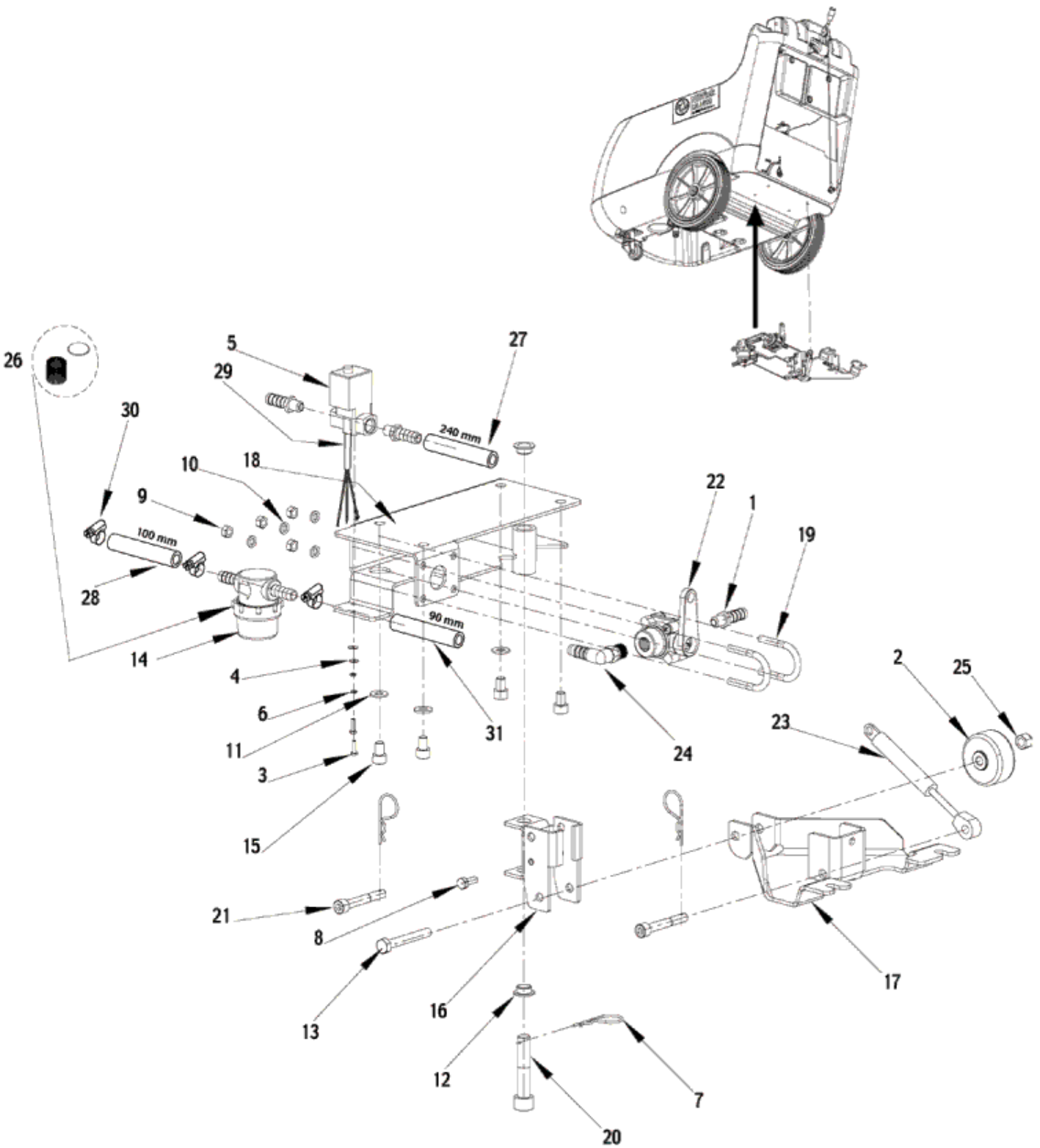
Solution system

CA 410

07-08-2009

Part List ID
E76113

13



Solution system

CA 410

07-08-2009

Part List ID

E76113

14

Pos	Part no.	Qty	Description	EAN
0	909 5699 000	1	SOLENOID VALVE KIT	5711140123
0	909 5990 000	1	HARDWARE. SOL.VAL.FIX.KIT	5711140125
0	L08603885	1	CONNECTOR TYPE DIN 46340	5711140016
1	L08601624	3	HOLDER RUBBER 1/4 D.10	5711140013
2	L08603665	1	WHEEL D.51.SQUEEGEE	5711140015
3		2	NOTE COMMENT SCREW HEX HD M3X12 SS	5701715456
4		2	NOTE COMMENT WASHER FLAT 3X9 SS	5701715456
5	L08812913	1	SOLENOID VALVE 230V	5711140020
5	L08812959	1	SOLENOID VALVE 110V	5711140020
6		2	NOTE COMMENT WASHER SPLIT 3 SS	5701715456
7		3	NOTE COMMENT SPLIT PIN	5701715456
8		1	NOTE COMMENT SCREW HEX HD M6X16 SS	5701715456
9		4	NOTE COMMENT NUT HEX M6 SS	5701715456
10		4	NOTE COMMENT WASHER FLAT 6X12,5 SS	5701715456
11		3	NOTE COMMENT WASHER FLAT 8X17 SS	5701715456
12	146 0549 000	2	BUSH FLANGED	5711140032
13		1	NOTE COMMENT SCREW HEX HD M8X55 SS	5701715456
15		4	NOTE COMMENT SCREW M8X12	5701715456
18	909 5571 000	1	PLATE	5711140123
19		2	NOTE COMMENT CLAMP	5701715456
20		1	NOTE COMMENT SCREW M12X60 SS	5701715456
21		2	NOTE COMMENT SCREW M8X55 SS	5701715456
22	909 5632 000	1	VALVE 1/4 FOR SOLEN.VALVE	5711140123
23	909 5637 000	1	SPRING GAS	5711140123
24	909 5651 000	1	HOLDER RUBBER 90. D.10	5711140123
25		1	NOTE COMMENT NUT HEX LOW SELF LOCK M8 SS	5701715456
27	909 5140 000	1	PIPE D.10 L250	5711140121
28	909 5026 000	1	HOSE D.10 L100	5711140120
29	909 5599 000	1	CABLE SOLENOID VALVE	5711140123
30	145 8582 000	3	CLAMP 8/ 9-16	5711140023
31	145 4154 000	1	PIPE D.10 L 90	5711140011
14B	9097166000	1	FILTER COMPLETE KIT	5711140132
16A	909 5566 000	1	BRACKET SQUEEGEE SUPPORT	5711140123
17A	909 5567 000	1	SUPPORT SQUEEGEE	5711140123
26B	L08603893	1	NET FILTER WITH GASKET KIT	5711140016

Note:

A: TSB IT 2007-015

B: TSB IT 2007-021

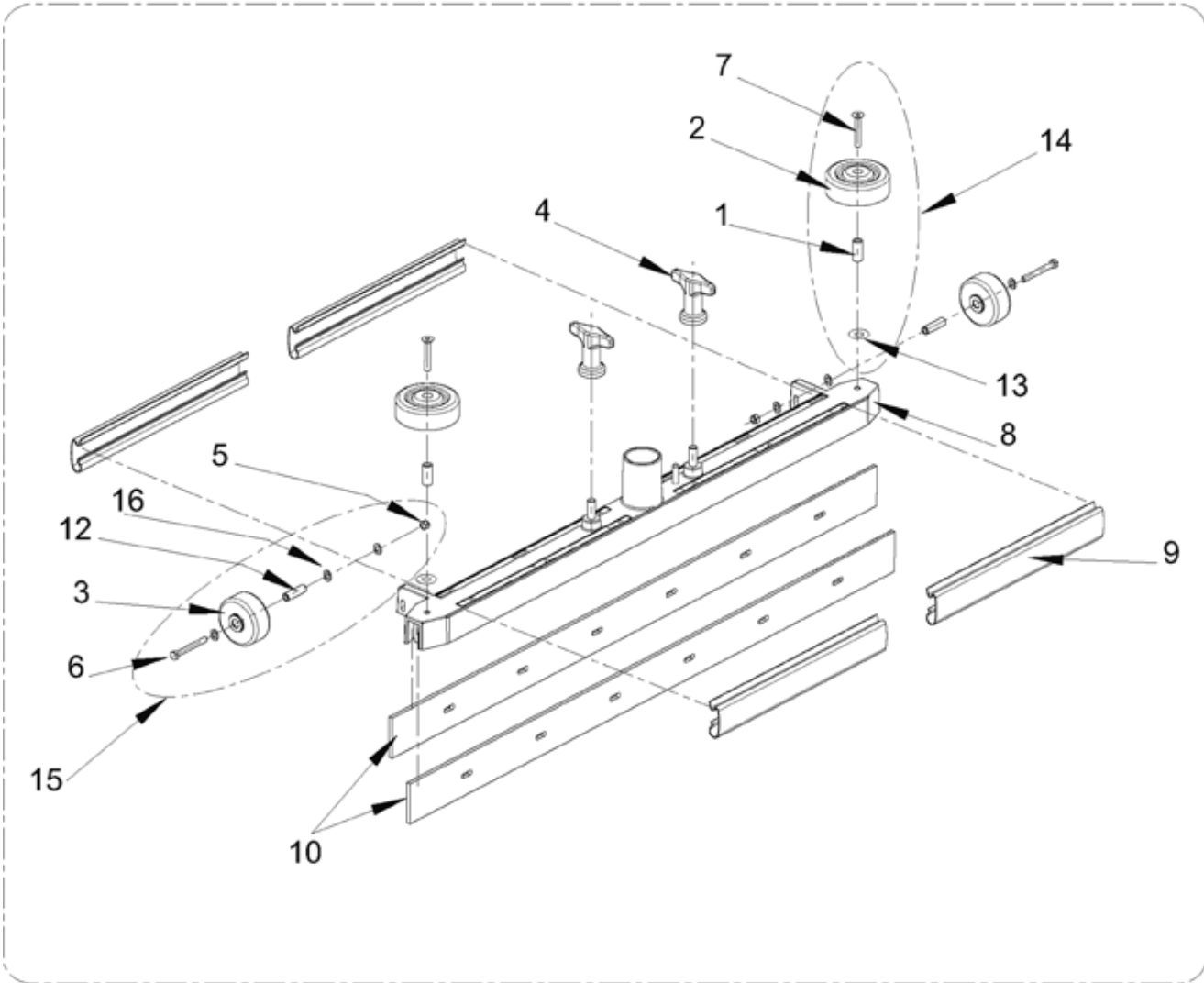
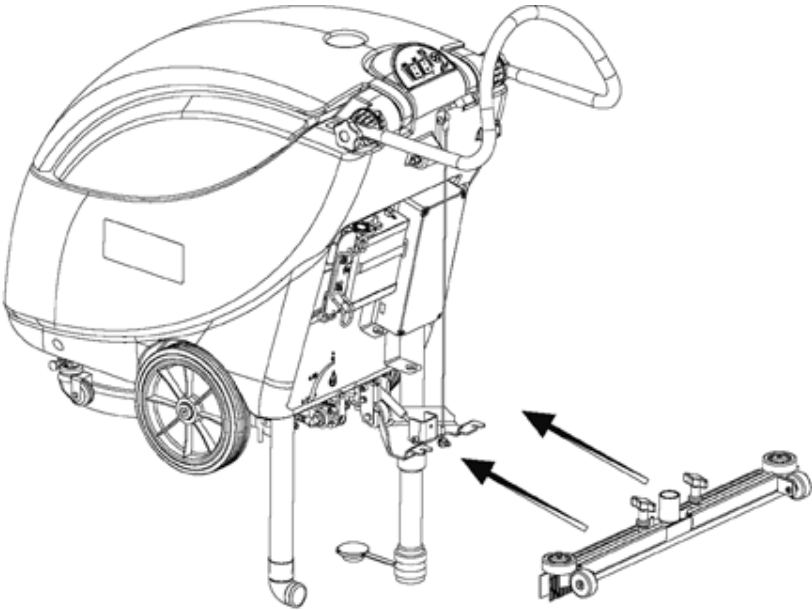
Squeegee assembly

CA 410

07-08-2009

Part List ID
E76115

15



Squeegee assembly

CA 410

07-08-2009

Part List ID
E76115

16

Pos	Part no.	Qty	Description		EAN
0	909 5916 000	1	SQUEEGEE CPL KIT 30		5711140125
0	909 5917 000	1	INSTRUCTIONS INSTALLATIONSQUEEGEE CURVED		5711140125
0	909 5991 000	1	HARDWARE.SQUEEGEE FIX.KIT		5711140125
1		2	NOTE COMMENT	SPACER	5701715456
2		2	NOTE COMMENT	BUMPER ROLLER	5701715456
3		2	NOTE COMMENT	SQUEEGEE WHEEL	5701715456
4		2	NOTE COMMENT	NUT THUMB	5701715456
5		2	NOTE COMMENT	NUT HEX LOW SELFLOCK M5 SS	5701715456
6		2	NOTE COMMENT	SCREW HEX HD M5X45 SS	5701715456
7		2	NOTE COMMENT	SCREW M6X35	5701715456
8	909 5554 000	1	WELDMENT SQUEEGEE TOOL		5711140123
9	909 5555 000	4	SPRING		5711140123
10	9097354000	1	BLADES PU KIT 720MM/28	TSB IT 2008-007	5711140133
12		2	NOTE COMMENT	SPACER	5701715456
13		2	NOTE COMMENT	WASHER FLAT 6X18 SS	5701715456
14	L08603880	1	ROLLER BUMPER KIT		5711140016
15	909 5703 000	1	WHEEL SQUEEGEE KIT		5711140123
16	909 5702 000	1	SQUEEGEE CPL STR.740MM/29KIT		5715492037
17		6	NOTE COMMENT	WASHER FLAT 5X15 SS	5701715456

Brush system - before Serial no. 045920336

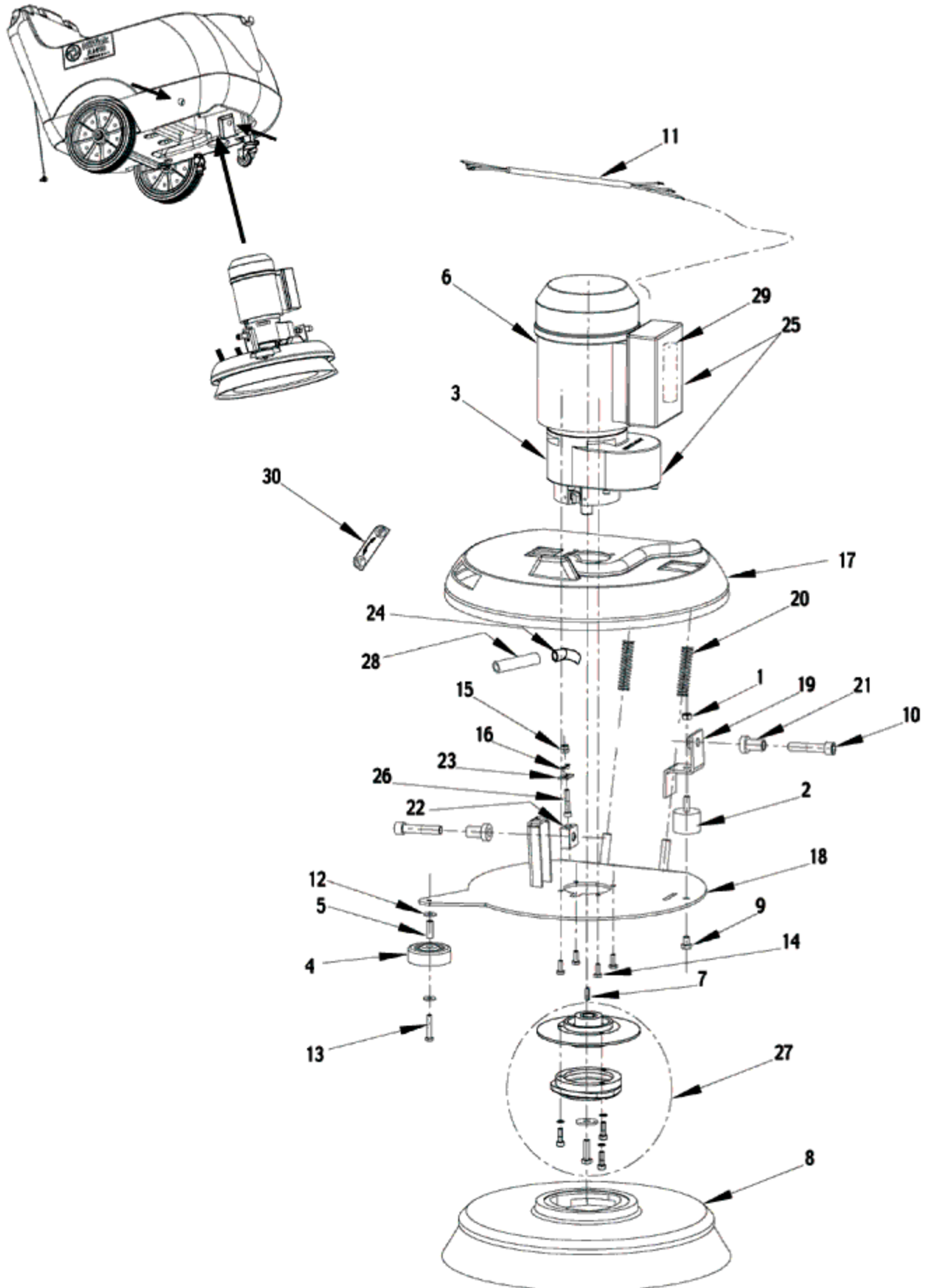
CA 410

07-08-2009

Part List ID

E76117

17



Brush system - before Serial no. 045920336

CA 410

07-08-2009

Part List ID

E76117

18

Pos	Part no.	Qty	Description	EAN
0	909 5992 000	1	HARDWARE.BRUSH FIXING KIT	5711140125
1		1	NOTE COMMENT NUT	5701715456
2	9097184000	1	VIBRATION DAMPING M8 60SH	5711140132
3	909 5480 000	1	REDUCTION GEAR	5711140122
4	L08602460	1	ROLLER BUMPER	5711140013
5	909 5710 000	1	SPACER 6.5X9.5X24	5711140123
6	909 5482 000	1	MOTOR ELECTRIC 550W 115V	5711140122
6	909 5722 000	1	MOTOR ELECTRIC 1100W 230V	5711140124
7		1	NOTE COMMENT TAB	5701715456
8	909 5691 000	1	BRUSH D.430 MIDLITE GRIT	4005337108
8	909 5692 000	1	BRUSH D.430 MIDGRIT 240	4005337108
8	909 5693 000	1	BRUSH D.430 PROLITE	4005337108
8	909 5694 000	1	BRUSH D.430 UNION MIX	4005337108
8	L08812891	1	BRUSH D.430 PROLENE PPL	5711140019
9		1	NOTE COMMENT SCREW HEX HD M8X12	5701715456
10		2	NOTE COMMENT SCREW M12X55	5701715456
11	909 5602 000	1	CABLE BRUSH MOTOR	5711140123
12		2	NOTE COMMENT WASHER FLAT 6X18	5701715456
13		1	NOTE COMMENT SCREW HEX HD M6X35	5701715456
14		4	NOTE COMMENT SCREW HEX HD M6X16 SS	5701715456
15	145 9960 000	2	NUT HEX M6X1 UNI5588	5711140022
16	909 5284 000	2	SCREW M3X6 UNI7688	5711140122
17	909 5550 000	1	GUARD BRUSH	5711140123
18	909 6269 000	1	PLATE.BRUSH HOLDER	5711140127
19	909 6270 000	1	BRACKET	5711140127
20	909 5558 000	2	SPRING	5711140123
21	909 5559 000	2	BUSH FLANGED	5711140123
22	909 5585 000	1	ADJUSTER BLOCK F. BRUSH	5711140123
23	909 5586 000	1	PLATE	5711140123
24	909 5594 000	1	HOSE COPPER	5711140123
25	909 5472 000	1	REDUCTION GEARMOTOR 550W 115V 60HZ	5711140122
25	909 5639 000	1	REDUCTION GEARMOTOR 1100W 230V	5711140123
26		1	NOTE COMMENT SCREW M6X25	5701715456
27	L08812589	1	HOLDER POLY G.W/FLANGE KIT	5711140018
28	909 5622 000	1	HOSE	5711140123
29	909 5106 000	1	CAPACITOR 400V 65UF	5711140120
29	909 5481 000	1	CAPACITOR 450V 40UF	5711140122
29	909 5931 000	1	CAPACITOR 450V 30UF	5711140125
30	909 5779 000	1	DECAL BRUSH ADJUSTING	

Brush system - from Serial no. 045920336

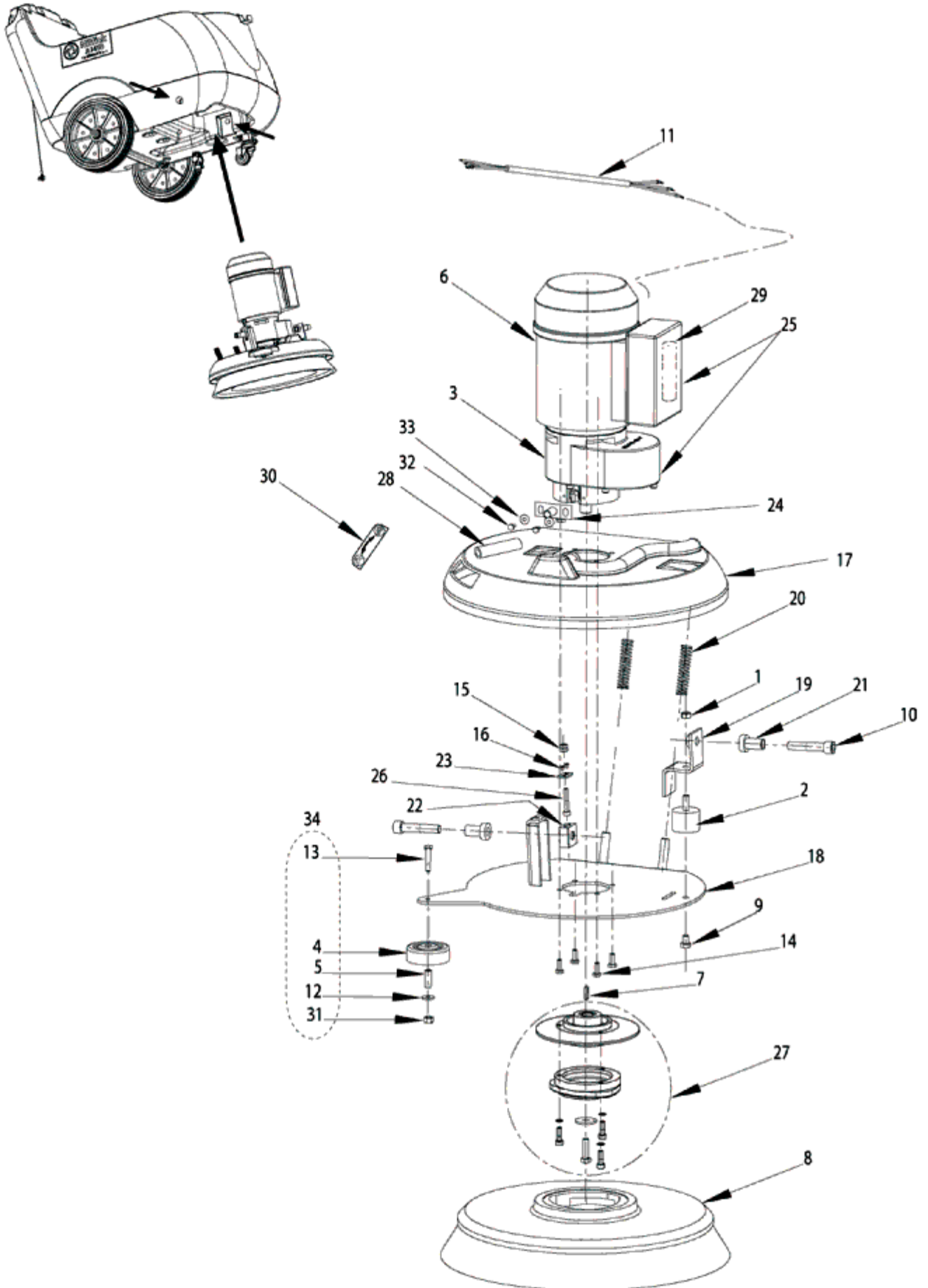
CA 410

07-08-2009

Part List ID

E76119

19



Brush system - from Serial no. 045920336

CA 410

07-08-2009

Part List ID

E76119

20

Pos	Part no.	Qty	Description	EAN
0	909 5992 000	1	HARDWARE.BRUSH FIXING KIT	5711140125
1		1	NOTE COMMENT NUT	5701715456
3	909 5480 000	1	REDUCTION GEAR	5711140122
4		1	NOTE COMMENT BUMPER ROLLER SPACER	5701715456
5		1	NOTE COMMENT ELECTRIC MOTOR 1100W 230V	5701715456
6	909 5482 000	1	MOTOR ELECTRIC 550W 115V	5711140122
6	909 5722 000	1	MOTOR ELECTRIC 1100W 230V	5711140124
7		1	NOTE COMMENT TAB	5701715456
8	909 5691 000	1	BRUSH D.430 MIDLITE GRIT	4005337108
8	909 5692 000	1	BRUSH D.430 MIDGRIT 240	4005337108
8	909 5693 000	1	BRUSH D.430 PROLITE	4005337108
8	909 5694 000	1	BRUSH D.430 UNION MIX	4005337108
8	L08812891	1	BRUSH D.430 PROLENE PPL	5711140019
10		2	NOTE COMMENT SCREW M12X55	5701715456
11	909 5602 000	1	CABLE BRUSH MOTOR	5711140123
12		2	NOTE COMMENT WASHER FLAT 6X18	5701715456
13		1	NOTE COMMENT SCREW HEX HD M6X40	5701715456
14		4	NOTE COMMENT SCREW HEX HD M6X16 SS	5701715456
15		2	NOTE COMMENT NUT HEX M6 SS	5701715456
16		2	NOTE COMMENT SCREW M3X6	5701715456
17	909 5550 000	1	GUARD BRUSH	5711140123
18	909 6269 000	1	PLATE.BRUSH HOLDER	5711140127
19	909 6270 000	1	BRACKET	5711140127
20	909 5558 000	2	SPRING	5711140123
21	909 5559 000	2	BUSH FLANGED	5711140123
22	909 5585 000	1	ADJUSTER BLOCK F. BRUSH	5711140123
23	909 5586 000	1	PLATE	5711140123
24	909 6217 000	1	HOSE COPPER	5711140126
25	909 5472 000	1	REDUCTION GEARMOTOR 550W 115V 60HZ	5711140122
25	909 5639 000	1	REDUCTION GEARMOTOR 1100W 230V	5711140123
26		1	NOTE COMMENT SCREW M6X30 UNI5931	5701715456
27	L08812589	1	HOLDER POLY G.W/FLANGE KIT	5711140018
28	909 5622 000	1	HOSE	5711140123
29	909 5106 000	1	CAPACITOR 400V 65UF	5711140120
29	909 5481 000	1	CAPACITOR 450V 40UF	5711140122
29	909 5931 000	1	CAPACITOR 450V 30UF	5711140125
2A	9097184000	1	VIBRATION DAMPING M8 60SH	5711140132
30	909 5779 000	1	DECAL BRUSH ADJUSTING	
31		1	NOTE COMMENT NUT HEX M6 SELFLOCK. LOW	5701715456
32		2	NOTE COMMENT SCREW HEX HD M4X8	5701715456
33		2	NOTE COMMENT WASHER FLAT 4X12	5701715456
34	909 5397 000	1	ROLLER BUMPER KIT BA 650/750/600S	5711140122

Note:

A: TSB IT 2007-018

Brush system - from Serial no. 045920336

CA 410

07-08-2009

Part List ID E76119

21

Pos	Part no.	Qty	Description	EAN
9A		1	NOTE COMMENT	5701715456
			SCREW HEX HD M8X12 SS	

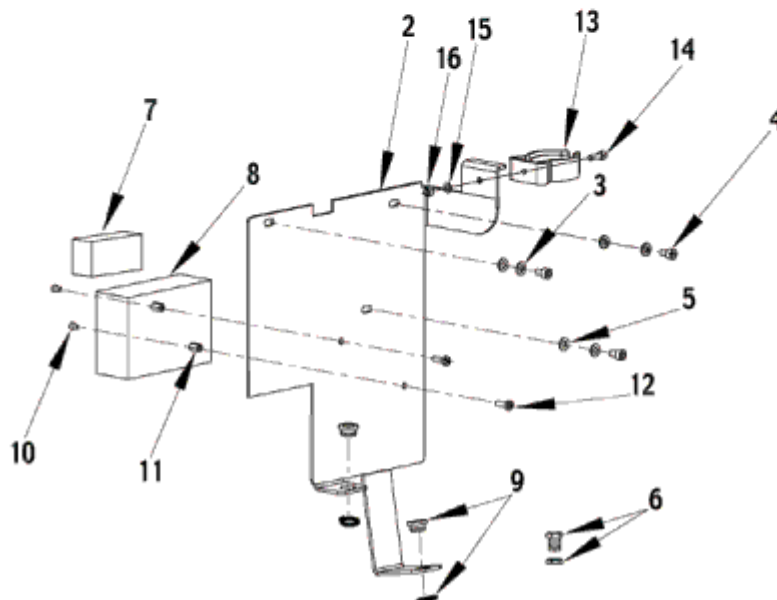
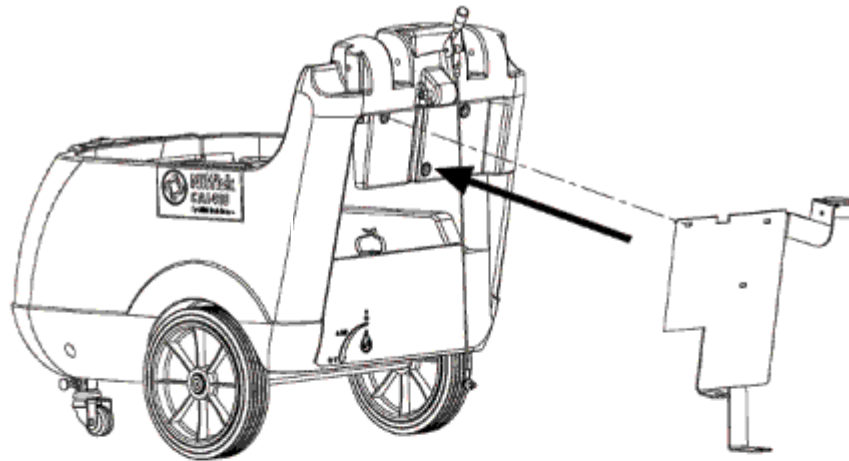
Wiring system

CA 410

07-08-2009

Part List ID
E76123

22



Wiring system

CA 410

07-08-2009

Part List ID

E76123

23

Pos	Part no.	Qty	Description	EAN
0	909 5993 000	1	HARDWARE. WIRING FIX. KIT	5711140125
0	L08603912	1	CAPACITOR 0.1UF	5711140016
2	909 5789 000	1	PLATE. ELECT.COMP.FIXING	5711140124
3		3	NOTE COMMENT	WASHER FLAT 6X18 5701715456
4		3	NOTE COMMENT	SCREW HEX HD M6X12 5701715456
5		3	NOTE COMMENT	WASHER SPLIT 5701715456
6	909 5648 000	4	CLAMP CABLE	5711140123
7	909 5650 000	1	BOARD TERMINAL 5 ELEMENT	5711140123
8	909 5647 000	1	BOX ELECTRIC	5711140123
9	909 6062 000	2	BUSH. KIT	5711140125
10		2	NOTE COMMENT	SCREW M6X16 5701715456
11		2	NOTE COMMENT	SPACER 5701715456
12		2	NOTE COMMENT	SCREW M6X10 5701715456
13	L08812967	1	CLAMP.HOSE D.50	5711140020
14		1	NOTE COMMENT	SCREW SOCKET HD M5X16 5701715456
15		1	NOTE COMMENT	WASHER FLAT 5X10 5701715456
16		1	NOTE COMMENT	NUT HEX SELFLOCKING M5 5701715456

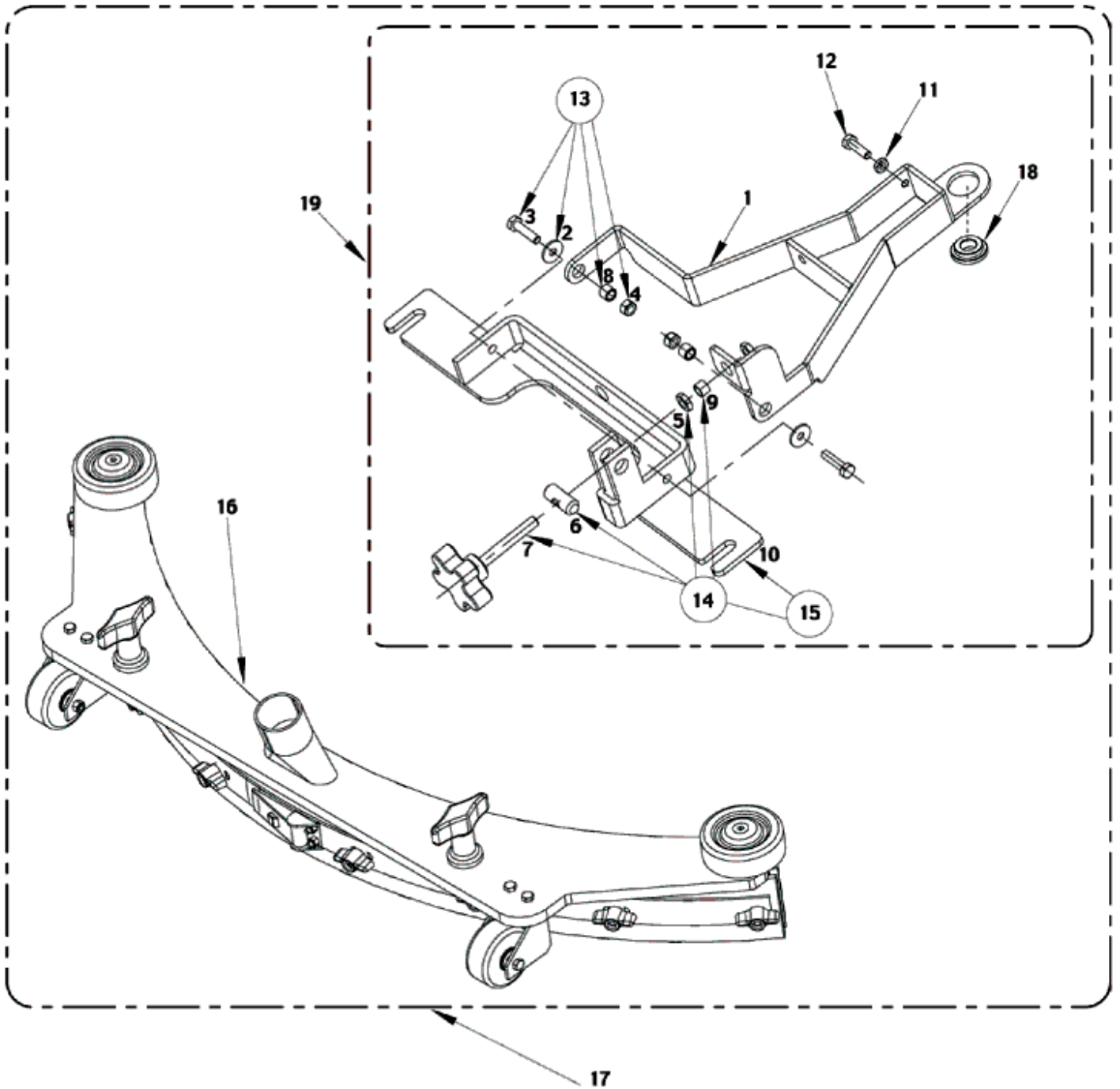
Accessories 1

CA 410

07-08-2009

Part List ID
E76125

24



Accessories 1

CA 410

07-08-2009

Part List ID
E76125

25

Pos	Part no.	Qty	Description	EAN
0	909 5917 000	1	INSTRUCTIONS INSTALLATIONSQUEEGEE CURVED	5711140125
0	909 6483 000	1	BLADE NEOPRENE FRONT	5715492037
0	909 6484 000	1	BLADE NEOPRENE REAR	5715492037
2		2	NOTE COMMENT WASHER FLAT 6X18	5701715456
3		2	NOTE COMMENT SCREW HEX HD M6X25	5701715456
4		2	NOTE COMMENT NUT HEX LOW SELFLOCK M6	5701715456
5		2	NOTE COMMENT NUT HEX LOW M8	5701715456
6		1	NOTE COMMENT PIN SUPPORT	5701715456
7		1	NOTE COMMENT HANDWHEEL M8X55	5701715456
8		2	NOTE COMMENT SPACER 7X10X8	5701715456
9		1	NOTE COMMENT SPACER 8X10X7	5701715456
11		1	NOTE COMMENT NUT HEX M6 UNI5589	5701715456
12		1	NOTE COMMENT SCREW M6X20 UNI5739	5701715456
13	L08812521	1	HARDWARE SQUEEGEE FIX KIT	5711140018
14	L08812518	1	SCREWS.ADJUSTING KIT	5711140018
15	L08603876	1	HOLDER.SQUEEGEE KIT	5711140016
16	L08603878	1	SQUEEGEE CPL KIT 30	5711140016
17	909 5916 000	1	SQUEEGEE CPL KIT 30	5711140125
18	909 5915 000	1	SPACER	5711140125
19	909 6047 000	1	SUPPORT SQUEEGEE KIT	5711140125

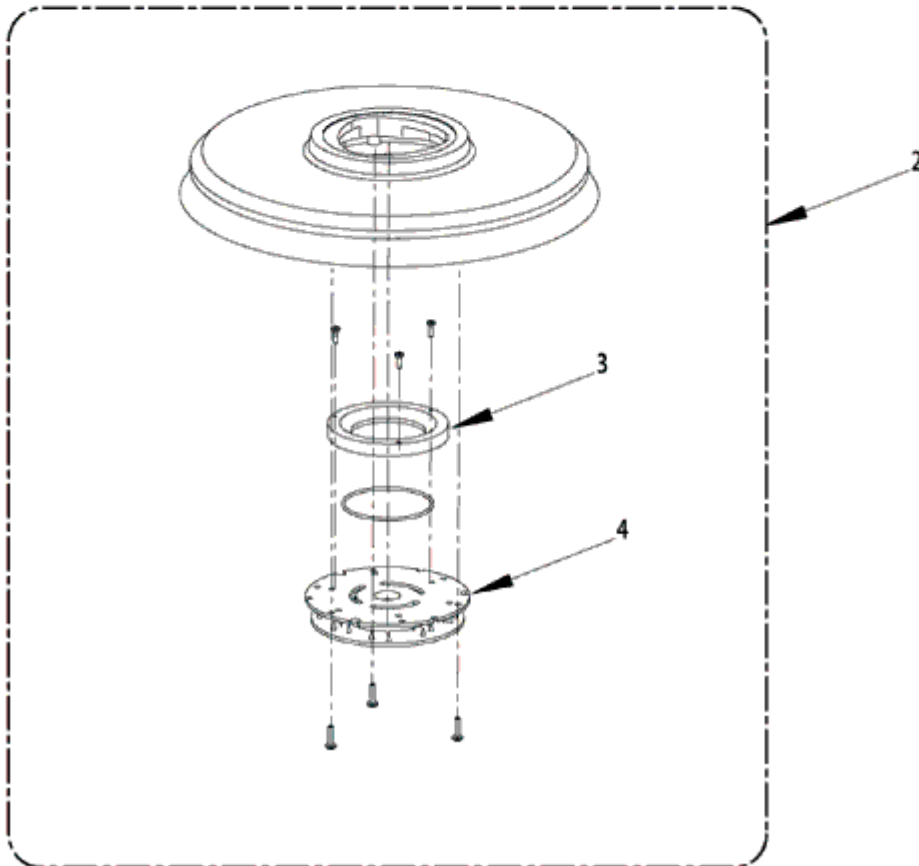
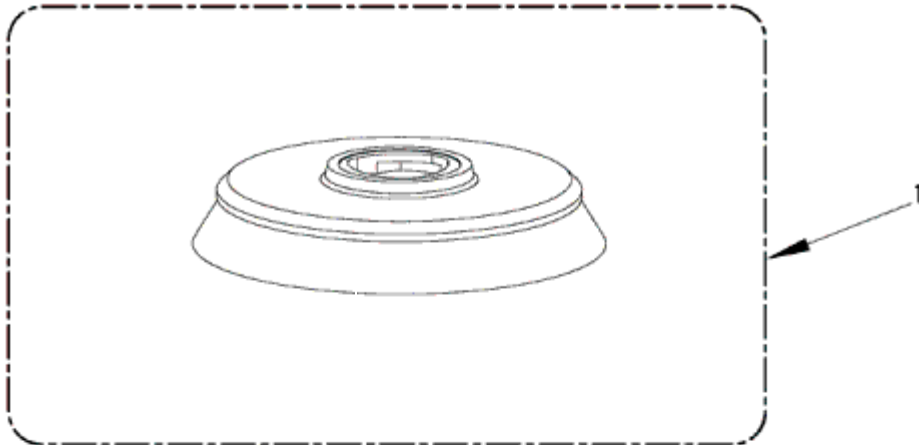
Accessories 2

CA 410

07-08-2009

Part List ID
E76127

26



Accessories 2

CA 410

07-08-2009

Part List ID
E76127

27

Pos	Part no.	Qty	Description	EAN
1	909 5691 000	1	BRUSH D.430 MIDLITE GRIT	4005337108
1	909 5692 000	1	BRUSH D.430 MIDGRIT 240	4005337108
1	909 5693 000	1	BRUSH D.430 PROLITE	4005337108
1	909 5694 000	1	BRUSH D.430 UNION MIX	4005337108
1	L08812891	1	BRUSH D.430 PROLENE PPL	5711140019
2	909 5695 000	1	PADHOLDER KIT CPL 410	5715492037
3	L08603966	1	RING NYLON	5711140016
4	L08837030	1	RETAINER PAD	5711140020

Recommended spare parts

CA 410

07-08-2009

Part List ID

E76128

28

	Codice Ref. No.	Q.tà Qty	Descrizione	Description
--	--------------------	-------------	-------------	-------------

MATERIALE DI USURA / WEAR PARTS

#	9097166000	1	KIT FILTRO COMPLETO	KIT WATER FILTER COMPLETE
	L08603893	1	KIT RETE FILTRO	KIT FILTER NET WITH GASKET
	909 5716 000	1	GUARNIZIONE L=1250 MM	GASKET L=1250 MM
	909 5568 000	1	GOMMA TERGITORE POSTERIORE	BLADE REAR
	909 5569 000	1	GOMMA TERGITORE ANTERIORE	BLADE FRONT
	909 5555 000	4	MOLLA RITEGNO	SPRING
#	L08812891	1	SPAZZOLA Ø430 PROLENE PPL STD	BRUSH Ø430 PROLENE PPL STD

MANUTENZIONE ORDINARIA / ORDINARY MAINTENANCE

#	L08812869	1	TUBO DI SCARICO ACQUA	DRAIN HOSE
	909 5578 000	1	TUBO ASPIRAZIONE (PRIMA DEL TSB 2006-001)	SUCTION HOSE (BEFORE TSB 2006-001)
	909 6060 000	1	TUBO ASPIRAZIONE (DOPO IL TSB 2006-001)	SUCTION HOSE (AFTER TSB 2006-001)
	909 5579 000	1	TUBO MOTORE ASPIRAZIONE	VACUUM MOTOR HOSE

MANUTENZIONE STRAORDINARIA / EXTRAORDINARY MAINTENANCE

#	L08812913	1	ELETTROVALVOLA 230V 50-60HZ	SOLENOID VALVE 230V 50-60HZ
#	L08812959	1	ELETTROVALVOLA 115V	SOLENOID VALVE 115V
	909 5699 000	1	KIT ELETTROVALVOLA 230V 50-60HZ	SOLENOID VALVE KIT 230V 50-60HZ
	909 5651 000	1	PORTAGOMMA 90° PER TUBO Ø10	RUBBER HOLDER
#	L08601624	3	PORTAGOMMA 1/4	RUBBER HOLDER
	909 5696 000	1	RUBINETTO SCARICO ACQUA	VALVE
	909 5723 000	1	KIT MOTORE ASPIRATORE 230V 550W	KIT VACUUM MOTOR W/CONNECTOR 230V 550W
	909 5979 000	1	KIT MOTORE ASPIRATORE 115V 550W	KIT VACUUM MOTOR 115V 550W
	909 5719 000	2	CARBONCINO	CARBON BRUSH
	909 5573 000	1	CAVO SOLLEVAMENTO TERGITORE	SQUEEGEE LIFTING CABLE
	909 5700 000	1	KIT CAVO SOLLEVAMENTO TERGITORE	KIT SQUEEGEE LIFT CABLE
	909 5564 000	1	TUBO FONOASSORBENTE	PIPE ACOUSTIC INSULATION
	909 5565 000	1	TUBO FONOASSORBENTE	PIPE ACOUSTIC INSULATION
	909 5639 000	1	MOTORIDUTTORE 1100W 230V	REDUCTIONGEAR MOTOR 1100W 230V
	909 5472 000	1	MOTORIDUTTORE 550W 115V	REDUCTIONGEAR MOTOR 55W 115V
	909 5931 000	1	CONDENSATORE 450V 30MF	CAPACITOR 450V 30MF
	909 5481 000	1	CONDENSATORE 450V 40MF	CAPACITOR 450V 40MF
	909 5106 000	1	CONDENSATORE 400V 65MF	CAPACITOR 400V 65MF
#	L08603912	1	CONDENSATORE ANTIDISTURBO	CAPACITOR
	9097184000	1	ANTIVIBRANTE CILINDRICO M8	VIBRATION DAMPING
	909 5558 000	2	MOLLA TESTATA SPAZZOLA	SPRING
	909 5397 000	1	KIT RUOTA PARACOLPI	BUMPER ROLLER KIT
	9096915000	2	RUOTA COMPLETA	WHEEL
	909 5099 000	1	KIT REGOLATORE MANIGLIONE	HANDLE ADJUSTER KIT
	909 5701 000	1	KIT REGOLAZIONE MANIGLIONE	HANDLE ADJUSTING KIT
	909 5554 000	1	CORPO TERGITORE	SQUEEGEE WELDMENT
	909 5702 000	1	KIT TERGITORE COMPLETO	KIT SQUEEGEE COMPLETE
	909 5703 000	2	KIT RUOTA TERGITORE	KIT SQUEEGEE WHEEL
#	L08603880	2	KIT RUOTA PARACOLPI TERGITORE	KIT SQUEEGEE BUMPER ROLLER
	909 6062 000	1	KIT BOCCOLA GUIDA CAVO E SEEGER	KIT BUSH CABLE GUIDE AND RETAINING RING
	909 5584 000	1	INTERRUTTORE	SWITCH

Recommended spare parts

CA 410

07-08-2009

Part List ID
E76128

29

Pos	Part no.	Qty	Description	EAN
1	9097166000	1	FILTER COMPLETE KIT	5711140132
2	L08603893	1	NET FILTER WITH GASKET KIT	5711140016
3	909 5716 000	1	GASKET	5711140123
4	9097354000	1	BLADES PU KIT 720MM/28	5711140133
5	9097354000	1	BLADES PU KIT 720MM/28	5711140133
6	909 5555 000	4	SPRING	5711140123
7	L08812891	1	BRUSH D.430 PROLENE PPL	5711140019
10	9098255000	1	HOSE DRAIN	5711140140
11	909 5578 000	1	HOSE SUCTION	5711140123
12	909 6060 000	1	HOSE.SUCTION	5711140125
13	909 5579 000	1	HOSE VACUUM MOTOR	5711140123
20	L08812913	1	SOLENOID VALVE 230V	5711140020
21	L08812959	1	SOLENOID VALVE 110V	5711140020
22	909 5699 000	1	SOLENOID VALVE KIT	5711140123
23	909 5651 000	1	HOLDER RUBBER 90. D.10	5711140123
24	L08601624	3	HOLDER RUBBER 1/4 D.10	5711140013
25	909 5696 000	1	VALVE	5711140123
26	909 5723 000	1	MOTOR VACUUM KIT W/CONNEX.AND TE	5711140124
27	909 5979 000	1	MOTOR VACUUM 550W 115V WITH CONNECTOR	5711140125
28	909 5719 000	2	BRUSH CARBON	5711140123
29	909 5573 000	1	CABLE SQUEEGEE LIFTING	5711140123
30	909 5700 000	1	CABLE SQUEEGEE LIFT KIT	5711140123
31	909 5564 000	1	PIPE ACOUSTIC INSULATION	5711140123
32	909 5565 000	1	PIPE ACOUSTIC INSULATION	5711140123
33	909 5639 000	1	REDUCTION GEARMOTOR 1100W 230V	5711140123
34	909 5472 000	1	REDUCTION GEARMOTOR 550W 115V 60HZ	5711140122
35	909 5931 000	1	CAPACITOR 450V 30UF	5711140125
36	909 5481 000	1	CAPACITOR 450V 40UF	5711140122
37	909 5106 000	1	CAPACITOR 400V 65UF	5711140120
38	L08603912	1	CAPACITOR 0.1UF	5711140016
39	9097184000	1	VIBRATION DAMPING M8 60SH	5711140132
40	909 5558 000	2	SPRING	5711140123
41	909 5397 000	1	ROLLER BUMPER KIT BA 650/750/600S	5711140122
42	9096915000	2	WHEEL	5711140131
43	909 5099 000	1	RATCHET HANDLE ADJUST.KIT	5711140120
44	909 5701 000	1	HANDLE ADJUSTER KIT	5711140123
45	909 5554 000	1	WELDMENT SQUEEGEE TOOL	5711140123
46	909 5702 000	1	SQUEEGEE CPL STR.740MM/29KIT	5715492037
47	909 5703 000	2	WHEEL SQUEEGEE KIT	5711140123
48	L08603880	2	ROLLER BUMPER KIT	5711140016
49	909 6062 000	1	BUSH. KIT	5711140125

Pos. 1-7 - Wear parts

Pos. 10-13 - Ordinary maintenance

Pos. 20-50 - Extraordinary maintenance

Recommended spare parts

CA 410

07-08-2009

Part List ID E76128

30

Pos	Part no.	Qty	Description	EAN
50	909 5584 000	1	SWITCH	5711140123

Pos. 1-7 - Wear parts

Pos. 10-13 - Ordinary maintenance

Pos. 20-50 - Extraordinary maintenance

Wiring diagram

CA 410

07-08-2009

Part List ID

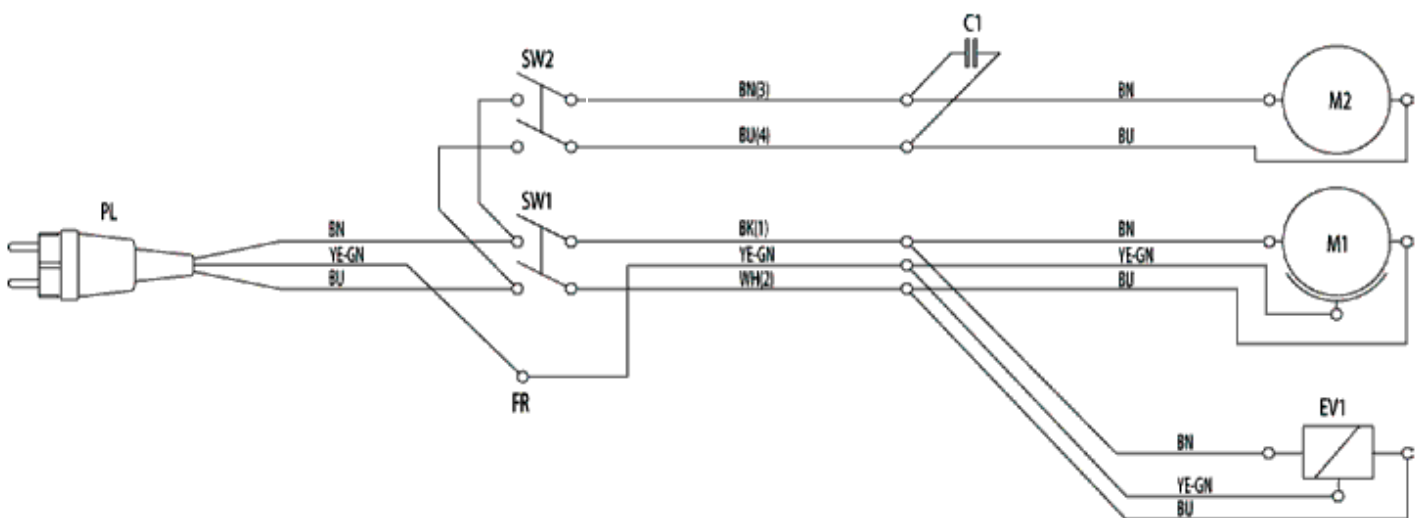
E76129

31

SCHEMA ELETTRICO - WIRING DIAGRAM CA410

909 5605 000

30/08/2004



LEGENDA	
C1	SUPPRESSION CAPACITOR
EV1	ELECTROVALVE
FR	FRAME (HANDLE)
M1	BRUSH MOTOR
M2	VACUUM MOTOR
PL	PLUG
SW1	BRUSH SWITCH
SW2	VACUUM SWITCH

COLORS CODES		
BK	BLACK	nero
BU	BLUE	azzurro
BN	BROWN	marrone
GN	GREEN	verde
GY	GREY	grigio
OG	ORANGE	arancio
PK	PINK	rosa
RD	RED	rosso
VT	VIOLET	viola
WH	WHITE	bianco
YE	YELLOW	giallo

Wiring diagram

CA 410

07-08-2009

Part List ID

E76129

32