

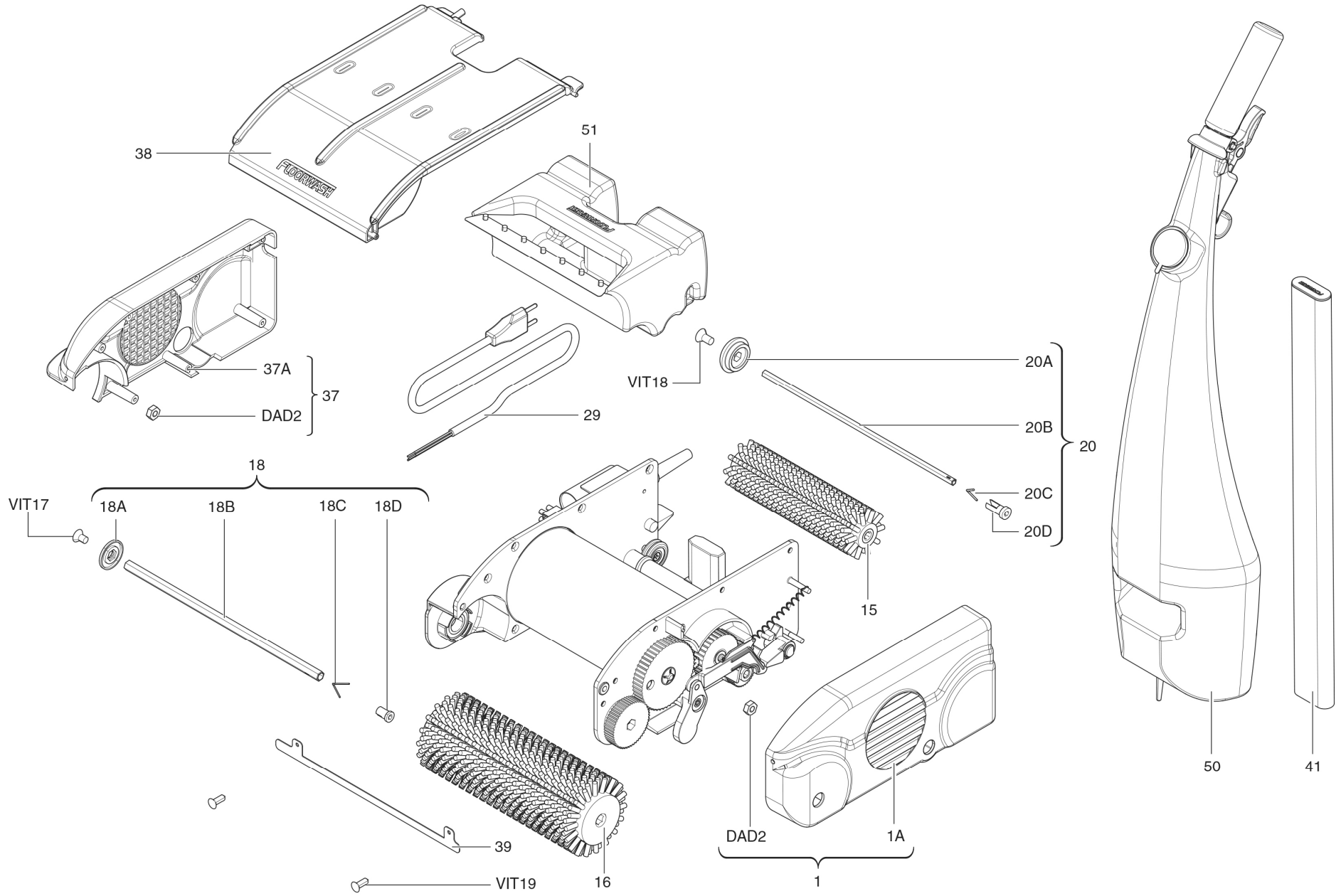


---

# ECLATE LAVEUSE CT 5 C 25 – LPTE00025

---

2017



## Laveuse CT 5 C 25

CODE	DESCRIPTION	QUANTITY	
<b>01</b>	<b>SIDE CASING LEFT NYLON</b>	<b>1</b>	
01A	OUTSIDE CASING RIGHT NYLON	1	
DAD2	SQUARE NUT 4MA	2	
CAF25	MACHINE'S BODY F25	1	
<b>15</b>	<b>UNIVERSAL BACK BRUSH</b>	<b>1</b>	
<b>16</b>	<b>UNIVERSAL FRONT BRUSH</b>	<b>1</b>	
VIT17	SCREW A2 FOR EXAGON SPINDLE CH10	1	
VIT18	SCREW A2 FOR EXAGON SPINDLE CH7	1	
<b>18</b>	<b>SPRING EXAGON SPINDLE CH10 COMPLETE</b>	<b>1</b>	
18A	INSERTING BUTTON FOR EXAGON SPINDLE CH10	1	
18B	EXAGON SPINDLE CH10	1	
18C	SNAP SPRING FOR EXAGON SPINDLE CH10	1	
18D	EXPELLING BUTTON FOR EXAGON SPINDLE CH10	1	
VIT19	SCREW A2 FOR SPLASH PLATE	2	
<b>20</b>	<b>SPRING EXHAGON SPINDEL CH7 COMPLETE</b>	<b>1</b>	
20A	INSERTING BUTTON FOR EXHAGON SPINDLE CH7	1	
20B	EXHAGON SPINDLE CH7	1	
20C	SNAP SPRING FOR EXHAGON SPINDLE CH7	1	
20D	EXPELL BUTTON FOR EXHAGON SPINDLE CH7	1	
<b>29</b>	<b>COMPLETE CABLE WITH PLUG ITA 7MT</b>	<b>1</b>	
<b>37</b>	<b>OUTSIDE CASING LEFT NYLON</b>	<b>1</b>	
37A	OUTSIDE CASING LEFT NYLON	1	
<b>38</b>	<b>COMPLETE COVER F25</b>	<b>1</b>	
<b>39</b>	<b>SPLASH PLATE A2</b>	<b>1</b>	
<b>41</b>	<b>HANDLE</b>	<b>1</b>	
<b>50</b>	<b>WATER TANK</b>	<b>1</b>	
<b>51</b>	<b>DIRTY WATER TRAY</b>	<b>1</b>	



## Laveuse CT 5 C 25

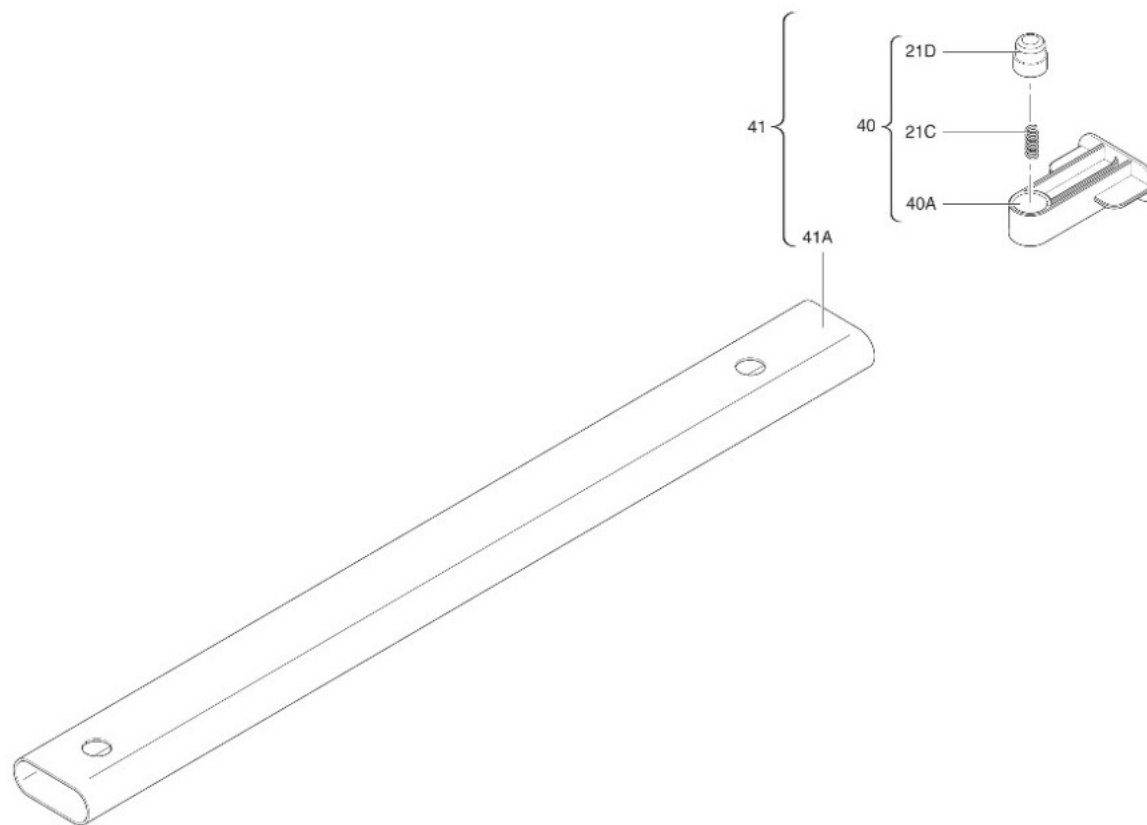
## Corps de la machine

CODE	DESCRIPTION	QUANTITY	
AN3	SEEGER RING A2 $\phi$ 12	3	
VIT4	SELF TAPPING SCREW TPS+ZN 4,8X16	4	
RON7	FLAT WASHER A2 6X18	2	
<b>RIC02</b>	<b>UNDER CARRIAGE LEFT F25</b>	<b>1</b>	
RIC02A	<b>UNDER CARRIAGE ARM LEFT F25</b>	1	
RIC02B	LIFT OUT PIN OF UNDER CARRIAGE LEFT	1	
RIC03	TENSION SPRING DF 0,8 mm	2	
RIC04	LEFT CAM	1	
<b>RIC05</b>	<b>COG WITH BEARRING <math>\phi</math> 53 mm</b>	<b>1</b>	
RIC05A	COG ACUSTIC ABSORBENT IN NYLON $\phi$ 53 mm	1	
RIC05B	BEARRING 6003 2RS INOX	4	
<b>RIC06</b>	<b>COG WITH BEARRING <math>\phi</math> 78 mm</b>	<b>1</b>	
RIC06A	COG ACUSTIC ABSORBENT IN NYLON $\phi$ 78 mm	1	
AN1	LOCK SEEGER RING A2 KS8	1	
<b>RIC07</b>	<b>COG WITH BEARRING <math>\phi</math> 53 mm</b>	<b>1</b>	
RIC07A	COG ACUSTIC ABSORBENT. NO SEGER IN NYLON $\phi$ 53 mm	1	
<b>RIC08</b>	<b>COG WITH BEARRING +SCREW <math>\phi</math> 26mm</b>	<b>1</b>	
RIC08A	COG ACUSTIC ABSORBENT NYLON $\phi$ 26mm	1	
RIC08B	BEARRING 6000 2RS	1	
VIT6	SELF TAPPING SCREW TPS+A2 5,5X19	1	
<b>RIC09</b>	<b>COG WITH BEARRING <math>\phi</math> 33</b>	<b>1</b>	
RIC09A	COG ACOUSTIC ABSORBENT IN NYLON $\phi$ 33	1	
RIC09B	BEARRING 6001 2RS	2	
RON2	FLAT WASHER WITH WIDE STRIPE A2 5,3X15	1	
VI13	SELF TAPPING SCREW TC+A2 4,2X25	1	
RIC10	SIDE CASING LEFT F25	1	
RIC11	BEARRING'S GASKET 6003	1	
AN4	SEEGER RING A2 $\phi$ 16	1	
<b>RIC12</b>	<b>INNER COG WITH BEARRING <math>\phi</math> 34</b>	<b>1</b>	

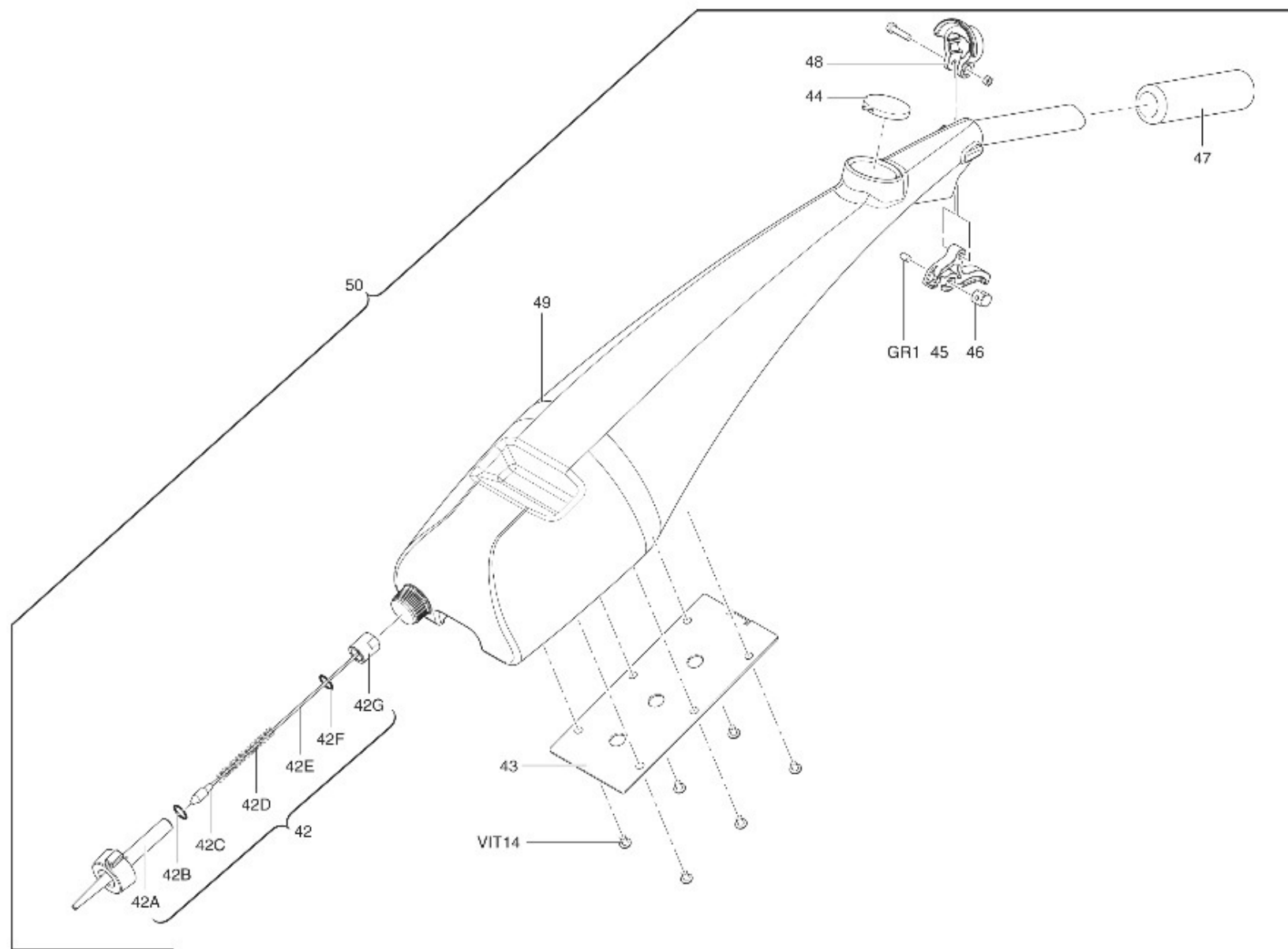
RIC12A	COG ACUSTIC ABSORBENT IN NYLON $\phi$ 34	1	
RIC12B	BEARRING 63001 2RS	1	
RIC13	BEARRING'S GASKET 6001	4	
<b>RIC14</b>	<b>WHEEL OF TRANSPORTATION</b>	<b>2</b>	
RIC14A	WHEEL OF TRANSPORTATION WITHOUT GASKET	2	
RIC14B	GASKET FOR WHEEL OF TRANSPORTATION	2	
<b>RIC17</b>	<b>CENTRAL DRUM L: 206,5 mm</b>	<b>1</b>	
<b>RIC19</b>	<b>ENGINE COMPLETE F25 400W</b>	<b>1</b>	
RIC19A	ENGINE GASKET 15X30X7	1	
RIC19B	ENGINE LEFT COVER IN AL	1	
RIC19C	ENGINE RIGHT COVER IN AL	1	
RIC19D	ENGINE FAN F25	1	
<b>RIC21</b>	<b>ANODIZED ALUMINUM AXEL F25</b>	<b>1</b>	
RIC21A	ALUMINUM SHAFT ANZ	1	
RIC21B	QUICK RELEASE BLOCK IN AL ANZ	1	
RIC21C	COMPRESSION SPRING IN A2	2	
RIC21D	BUTTON	1	
RIC21E	BUTTON COVER	1	
VIT15	SCREW TBEI A2 M6X20	3	
VIT16	SCREW TPS+FE M4X8 ZN	2	
RIC22	SIDE CASING RIGHT F25	1	
<b>RIC23</b>	<b>BRUSH CARRIER WITH BEARRING 6001</b>	<b>1</b>	
RIC23A	BRUSH CARRIER WITHOUT BEARRING	1	
<b>RIC 24</b>	<b>START PEDAL INOX</b>	<b>1</b>	
RIC24A	TENSION SPRING FOR STARTING PEDAL	1	
<b>RIC25</b>	<b>UNDER CARRIAGE RIGHT F25</b>	<b>1</b>	
RIC25A	<b>UNDER CARRIAGE ARM RIGHT F25</b>	1	
RIC25B	MALE RIGHT CARRIAGE	1	
RIC25C	FEMALE RIGHT CARRIAGE DESTRO	1	
<b>RIC26</b>	<b>CAM RIGHT COMPLETE</b>	<b>1</b>	
RIC26A	PLATE IN IRON FOR RIGHT CAM	1	
RIC26B	FEMALE CAM DX	1	
RIC27	INOX SPRING	1	

RIC28	LIFTING PLATE INOX	1	
RIC30	CABLE BRIDGE WITH DOUBLE RING	1	
RIC31	CABLE BLOCK	1	
RIC32	TERMINAL NY 10MMQ 12P+REED	1	
RIC33	MICROSWITCH+ DEHYDROGENATED LEVER	1	
RIC34	FASTON COVER NY 6,3 BMM 01022	2	
RIC35	CAPACITOR 8MF 450V 30X69	1	
RIC36	CAPACITOR 4MF 450V 25X57	1	
<b>RIC52</b>	<b>BRUSH CARRIER DARLYN WITH BEARRING 6003</b>	<b>1</b>	
RIC52A	BRUSH CARRIER DERLYN WITHOUT BEARRING	1	

## Laveuse CT 5 C 25 : Poignée et Reservoir







## Laveuse CT 5 C 25

## Poignée et Reservoir

CODICE	DESCRIPTION	QUANTITY	
<b>RIC40</b>	<b>SEALING CAP AND HANDLE RELEASER</b>	<b>1</b>	
RIC40A	NYLON CAP FOR THE HANDLE	1	
<b>RIC41</b>	<b>COMPLETE HANDLE F25</b>	<b>1</b>	
RIC41A	EAMPTY HANDLE WITH HOLES $\varnothing$ 14 + ANZ F25	1	
RIC42	COMPLETE WATER VALVE F25	1	
RIC42A	VALVE F25	1	
RIC42B	GASKET 4,9 X 1,9	1	
RIC42C	BRASS TERMINAL	1	
RIC42D	COMPRESSION SPRING	1	
RIC42E	CABLE INOX L: 1MT	1	
RIC42F	GASKET 23 X 2,50	1	
RIC42G	THREAD NUT	1	
VIT14	SCREW TMT A2 5X8	6	
RIC43	HANDLE PLATE AL ANZ	1	
RIC44	TANK CAP $\varnothing$ 41+LINGUETTA	1	
RIC45	WATER TRIGGER F25	1	
RIC46	BRASS NUT	1	
GR1	GRANO PUNTA PIATTA A2 4X6	1	
RIC47	SLIP RESISTANT HANDLE	1	
RIC48	WATER TANK CABLE LOCK	1	
RIC49	WATER TANK	1	
<b>RIC50</b>	<b>COMPLETE WATER TANK F25</b>	<b>1</b>	