



## Spare Parts List

ipc Div.SOTECO

Ref: ASDO15100

Cust.Ref: GP 1/27 HEPA

Model: ASPIRATEUR GP1/27HEPA ISO5 ECO-HOSPI

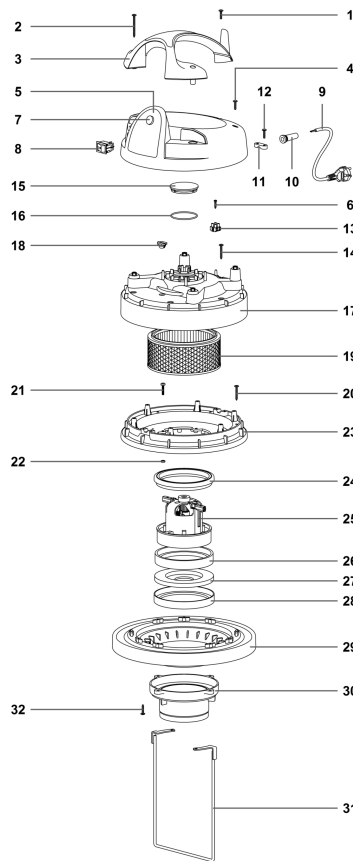
Cust.Model:



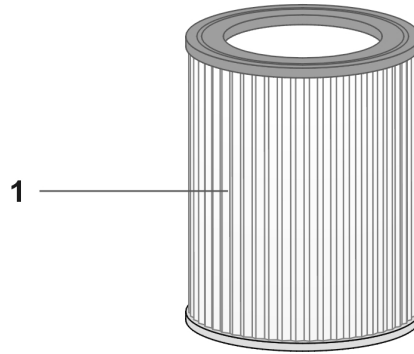
IPC Integrated Professional Cleaning

**IPC Soteco**

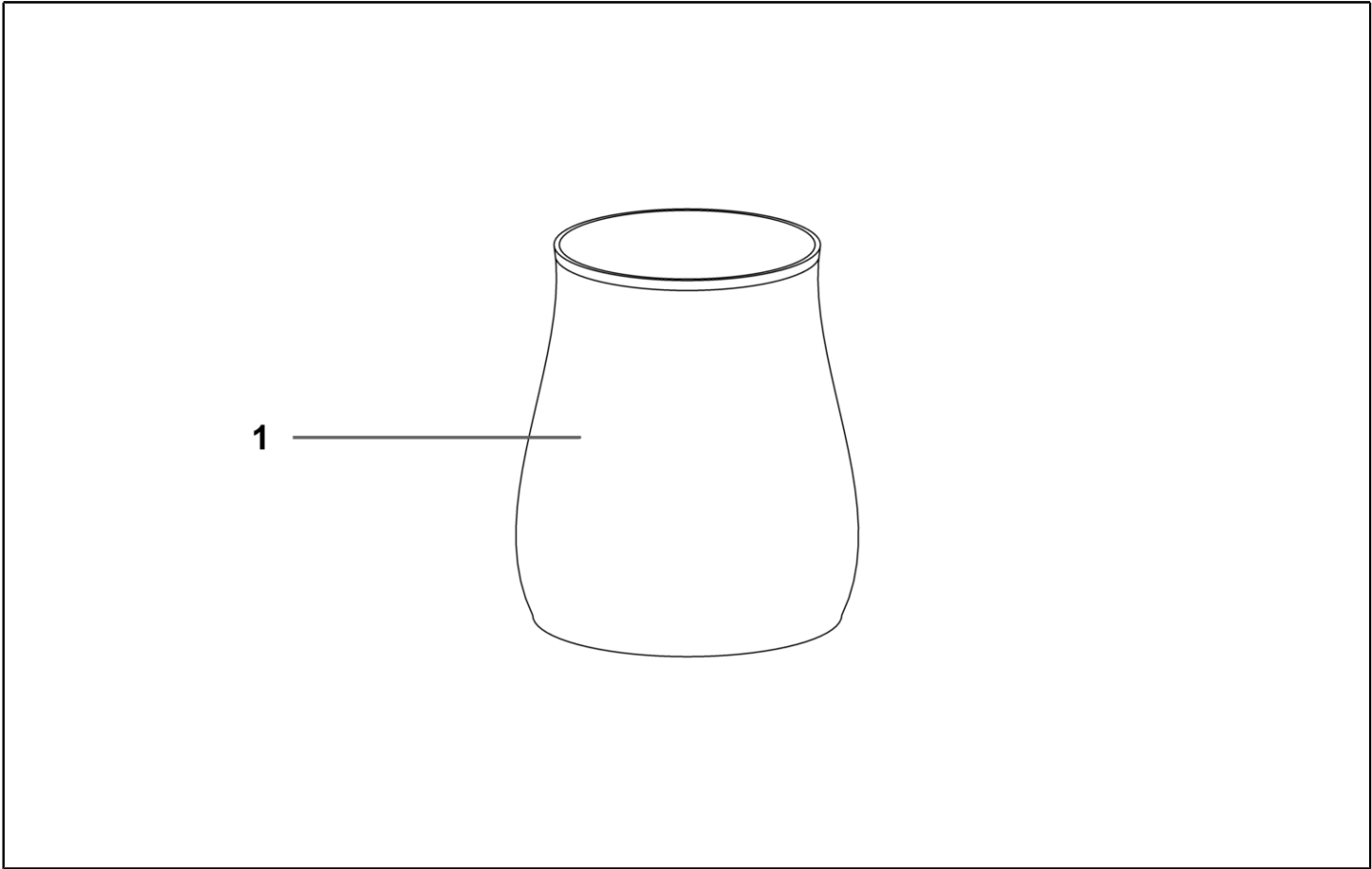
Ref. K	Part N.	Old Ref.	Description	Quantity	Validity		Price
					From	To	
0001	PMTA08440		CULASSE ECOSPITAL ISO5	1,00			--
0002	FTDP00596	07768 H14	CARTOUCHE HEPA D.175X118 H=250 H14	1,00			--
0003	FTDP40016	021177	FILTRE PCB D.180 A.	1,00			--
0004	PMVR06412		BARIL PL.202/27 HOSP-A.BAT C/TA	1,00	10/03/2017		--
0005	CARR01597	020884VHA PL	CHARIOT 500 ECO-H VHA F/PLAST COM	1,00			--



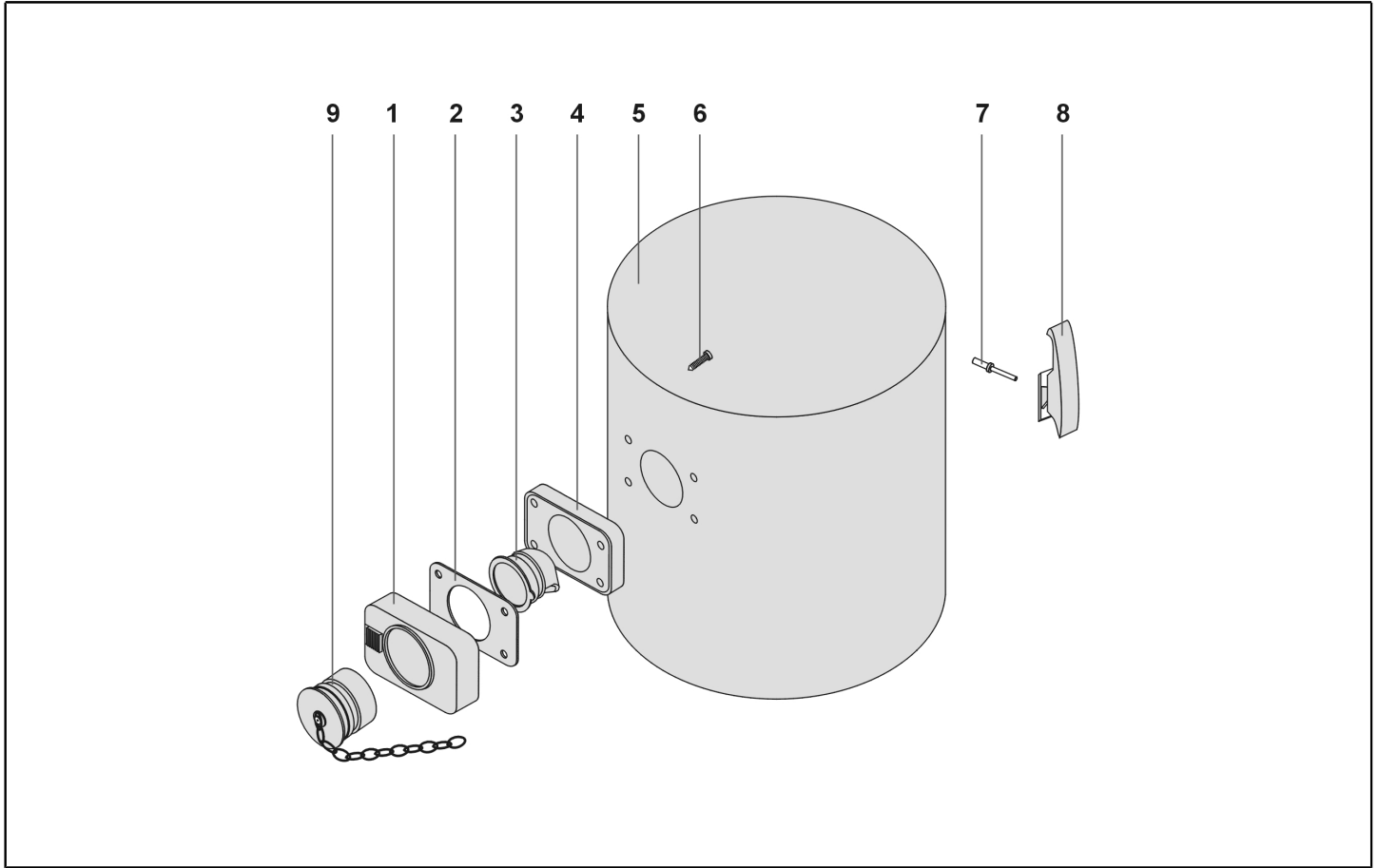
Ref. K	Part N.	Old Ref.	Description	Quantity	Validity		Price
					From	To	
*	FSVR00127	01106	COLLIER	1,00			--
*	MECB01212	07632	CABLAGE 43CM MOTEUR	1,00			--
*	MEVR01629	01105	COUVRE FASTON	4,00			--
0001	VTVT71961	01006	VIS T.1/2 CROIX 5X20	1,00			--
0002	VTVT40007	03273	VIS PAT TMT 5X55 PHL 5X55	2,00			--
0003	MPVR08276	020725VHA	POIGNEE TOPPER 500 VE HOSP ANTIB.	1,00			--
0004	VTVT71961	01006	VIS T.1/2 CROIX 5X20	2,00			--
0005	MPVR08296	020726VHA	COUVERCLE TOPPER 500 VERT HOSP ANTI	1,00			--
0006	VTVT88715	01004	VIS "TC" PHL 4,3X19	1,00			--
0007	MEVR02222	01103/P	FASTON DOUBLE MASSE	2,00			--
0008	MECI28677	00114	INTERRUPTEUR	1,00			--
0009	MECB28672	00117	CABLE ELECTRIQUE 2X1	1,00			--
0010	MEVR28673	00138	PASSE CABLE	1,00			--
0011	MPVR28690	00139	ARRET DE CABLE	1,00			--
0012	VTVT71961	01006	VIS T.1/2 CROIX 5X20	1,00			--
0013	MECB01161	03464	BORNES 300-500 2P RAD	1,00			--
0014	VTVT71971	01050	RAPIDFIX 5X35	6,00			--
0015	MPVR09577	03383 AUVHA	LIEG.COUVERTURE AUTO-EXCTINCTION VHA	1,00			--
0016	GUGO00359	021538	OR CAOUI.SPON. D.65X2,5	1,00			--
0017	PMVR05181	02738 SLVHA	COUVERTURE 99 S/TROU X SL VE HOSP AN	1,00			--
0018	MPVR07307	021404	PASSAGE P. FIL FORME 2 CABLE CAOUI	1,00			--
0019	FTDP00592	07708 H14	CARTOUCHE HEPA 220X180X70 CISF H14	1,00			--
0020	VTVT71971	01050	RAPIDFIX 5X35	6,00			--
0021	VTVT85000	00725	VIS M 5X25	4,00			--
0022	VTDD71969	01035	ECROU 5 MA	4,00			--
0023	PMVR04998	02591 SLVHA	SERRE MOTEUR 99 X SP.LUM VE HOSP ANT	1,00			--
0024	MPVR07333	021860	JOINT A "L" D.130	1,00			--
0025	MOMO00858	07585 TP	MOTEUR TS25 CPTP 1000W 220-240 4	1,00			--
0026	GUGO40052	07890	JOINT MR. L D.130	1,00			--
0027	MPVR89143	07164	ENTRETOISE MIR. M.ST.	1,00			--
0028	GUGO28683	03901	JOINT "L" SANS TROU H=5,5	1,00			--
0029	PMBA00295	03190 GVHA/SL	SOUBASSEMENT 500 MONO.SL A/JOINT. VHA	1,00			--
0030	MPVR10270	07765/C SL VHA	CARTOUCHE SOUTIEN SL VE HOS ANT CO	1,00			--
0031	LAFN08683	021036	BRIDE BLOC FIL CLASSE H	1,00			--
0032	VTVT87311	03156	VIS PAT TMT PHL 5X20	4,00			--



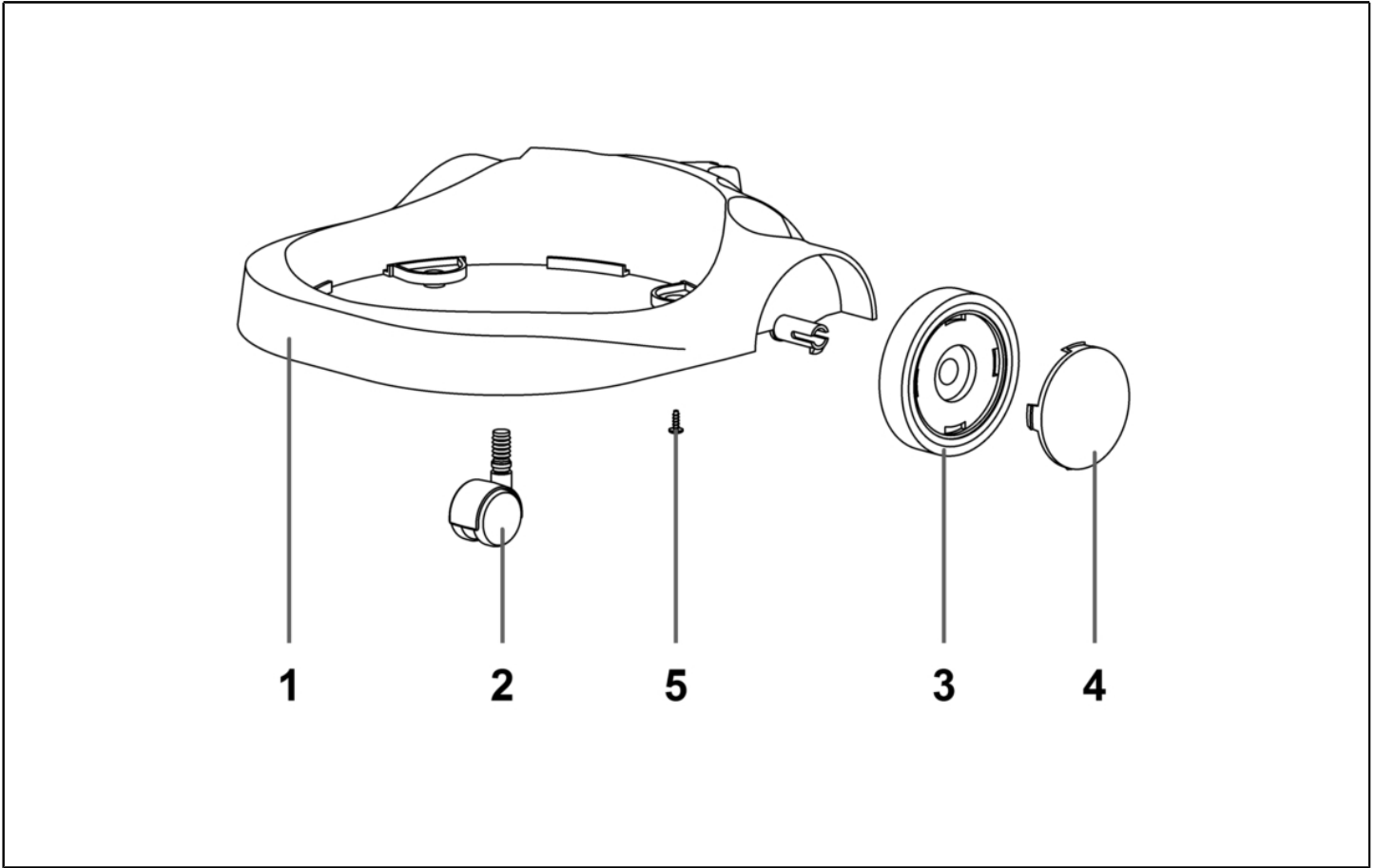
Ref. K	Part N.	Old Ref.	Description	Quantity	Validity		Price
					From	To	
0001	FTDP00596	07768 H14	CARTOUCHE HEPA D.175X118 H=250 H14	1,00			--
0001	FTDP00596	07768 H14	CARTOUCHE HEPA D.175X118 H=250 H14	1,00			--



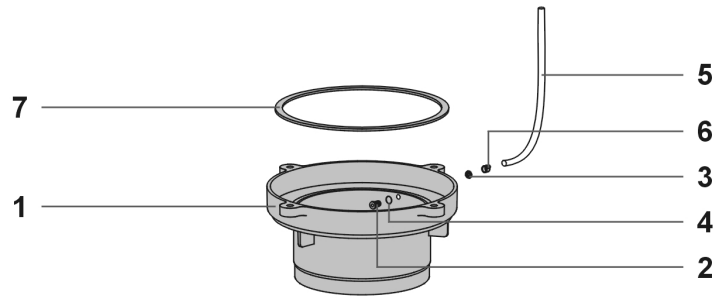
Ref. K	Part N.	Old Ref.	Description	Quantity	Validity		Price
					From	To	
0001	FTDP40016	021177	FILTRE PCB D.180 A.	1,00			--
0001	FTDP40016	021177	FILTRE PCB D.180 A.	1,00			--



Ref. K	Part N.	Old Ref.	Description	Quantity	Validity		Price
					From	To	
0001	MPVR09050	02652 AVHA	GOULOTTE R155 VERT HOSP ANTIBAT	1,00			--
0002	GUGO28701	02846	JOINT D.38	1,00			--
0003	MPVR08819	02593VHA	DEFLECTEUR 99 VERT HOSPIT ANTIBAT	1,00			--
0004	MPVR08693	02586VHA	JOINT R.205 VERT HOSP ANTIBA	1,00			--
0005	PMVR04908	021153VHA	BARIL PL.202/27 VE HOS A.BATT.E	1,00			--
0006	VTVT71966	01026	RAPIDFIX 5X30	4,00			--
0007	VTVR71992	01302	RIVET 5X19	4,00			--
0008	PMVR02876	01847/SVHA	CROCHET PLAST.COMPL. VE HOSP ANTI	2,00			--
0009	RCVR01110		BOUCHON BOCCHETTONE D.38 A.BAT. C	1,00			--

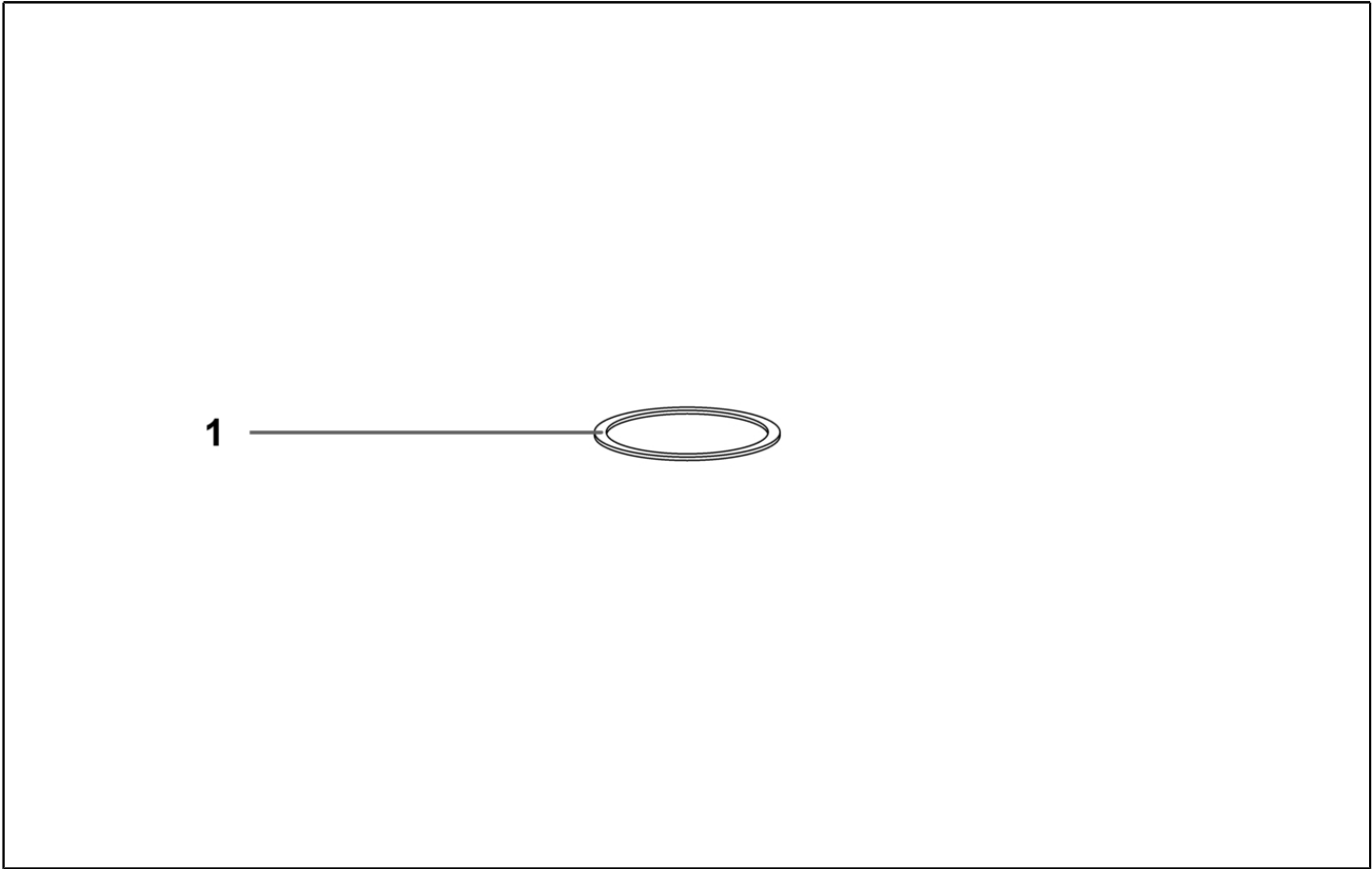


Ref. K	Part N.	Old Ref.	Description	Quantity	Validity		Price
					From	To	
0001	MPVR08320	020744VHA	CORPS CHARIOT 500 VEGAS VERT-H ANTIBAT	1,00			--
0002	RTRT42006	00558	ROUE CHARIOT BOX	2,00			--
0003	RTRT85778	06043	CORPS ROUE YES	2,00			--
0004	MPVR10008	06044VHA	COUVRE ROUE YES VERT HOSP ANTIBAT	2,00			--
0005	VTVT71960	01005	RAPIDFIX 5X15	4,00			--



Ref. K	Part N.	Old Ref.	Description	Quantity	Validity		Price
					From	To	
0001	MPVR10274	07765-1VHA	CARTOUCHE SOUTIEN VERT HOSP ANTIB	1,00			--
0002	RCVR00845	03523	RACC. P. TUYAU TEMOIN LUMINEUX	1,00			--
0003	VTRS00415	02573	RONDELLE AUTO-BLO. D.6 ZA6	1,00			--
0004	GUGO00474	OR 2015	O-RING 2015 NBR SH70	1,00			--
0005	TBBP00547	07604	TUYAU PVC D.5X3 CM46 X TEM LUM	1,00			--
0006	FSVR00147	020102	COLLIER SERRAGE D.5 MONO LOBO	1,00			--
0007	GUVR40078	03735-2	JOINT H3 DS50	1,00			--





Ref. K	Part N.	Old Ref.	Description	Quantity	Validity		Price
					From	To	
0001	GUVR40078	03735-2	JOINT H3 DS50	1,00			--