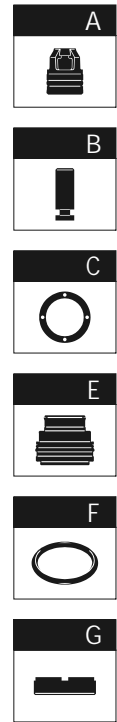
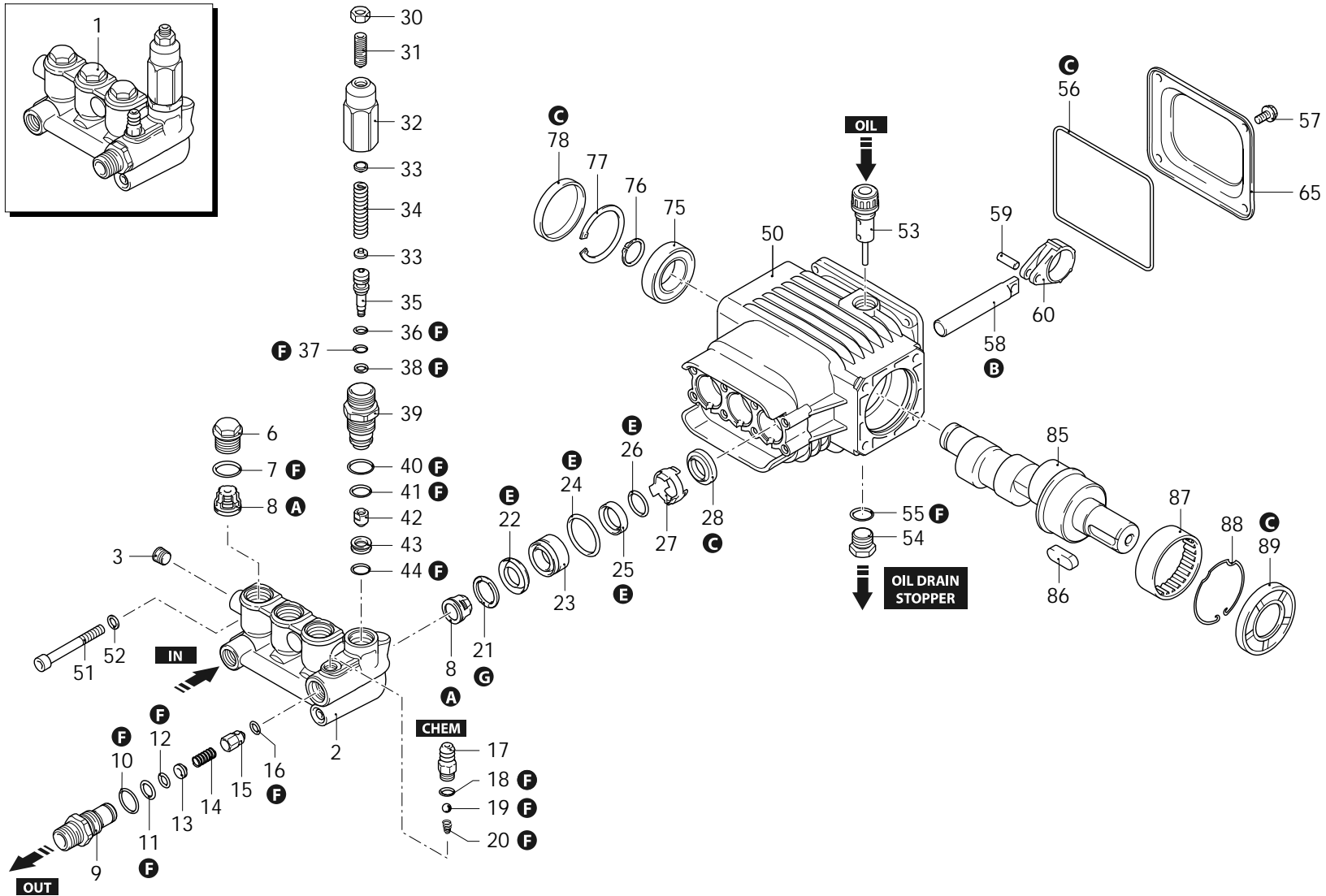
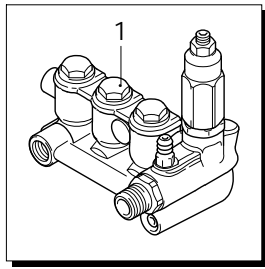




Series 276

HRS

1450rpm



AR_s276-01_v01

06/03/2026



Series 276

HRS

1450rpm

P	Code	Description	Q	Assembly prescription	Validity	P	Code	Description	Q	Assembly prescription	Validity
1	2769228	Head assembly	Ø 18	1		42	2260070	Shutter	1	C=3Nm / Loxeal 55-14	
2	2760510	Head	brass	1		43	2760090	Seat	1		
3	2760260	Plug	1/4" G	2	Loxeal 55-14	44	770140	O-ring	Ø 11,11x1,78	1	Lubricate with grease Molykote PG54
6	2760180	Plug		3	C=50Nm / Loxeal 55-14	50	2760460	Pump body		1	
7	1200690	O-ring	Ø 15,6x1,78	3	Lubricate with grease Molykote PG54	51	801080	Screw	TCEI M6x50	8	C=10,4Nm
8	2769050	Complete valve		6		52	1381550	Washer		8	
9	2760230	Fitting	3/8" G (M)	1	C=40Nm / Loxeal 55-14	53	880130	Oil plug	with oil dipstick	1	
10	394280	O-ring	Ø 12,42x1,78	1	Lubricate with grease Molykote PG54	54	1980740	Plug	3/8" G brass	1	C=20Nm
11	2760270	O-ring	Ø 12x1	1	Lubricate with grease Molykote PG54	55	740290	O-ring	Ø 14x1,78	1	Lubricate with grease Molykote PG54
12	1470210	O-ring	Ø 9x1	1		56	2760281	O-ring		1	
13	2760120	Injector	Ø 2,0	1		57	802190	Screw	TE 6x12	4	C=8Nm
14	2760200	Spring		1		58	2760450	Piston	Ø 18	3	
15	2760130	Shutter		1		59	1780050	Pin		3	
16	2101770	O-ring	Ø 4x2,5	1	90 Sh	60	1780040	Connecting-rod	aluminium	3	Lubricate with grease Molykote BR2 PLUS
17	1982520	Hose tail	Ø 8	1	C=4Nm / Loxeal 55-14	65	2760110	Cover		1	
18	480480	O-ring	Ø 4,48x1,78	1		75	1780490	Bearing		1	
19	1250280	Ball		1		76	1780550	Ring	seeger Øe 20	1	
20	1560520	Spring		1		77	1260790	Ring	seeger Øi 52	1	
21	1780140	Ring	support Ø 18	3		78	1266740	Cover		1	
22	1780720	Water seal	Ø 18	3	Lubricate with grease Molykote PG54	85	2760520	Shaft	7 marked	1	
23	1320351	Piston guide	Ø 18	3		86	650250	Key		1	
24	1260420	O-ring	Ø 26,70x1,78	3	Lubricate with grease Molykote PG54	87	1321190	Bearing		1	Assemble with tool [1780610]
25	1260450	Water seal	Ø 18	3	Lubricate with grease Molykote PG54	88	1321080	Ring		1	
26	480440	O-ring	Ø 17,13x2,62	3		89	1260750	Ring	seal	1	Assemble with tool [1941990]
27	2760600	Spacer		3		A	2186	Valve kit		1	
28	2460170	Oil seal		3		B	42303	Piston kit	Ø 18	1	
30	1060120	Nut	M6	1		C	42194	Oil seal kit		1	
31	392840	Screw	M6x16	1		E	42195	Water seal kit	Ø 18	1	
32	2760480	Insert		1		F	2190	Gasket kit		1	
33	1980220	Wobble plate		2		G	42196	Support ring kit	Ø 18	1	
34	2760410	Spring		1	Lubricate with grease Molykote BR2 PLUS						
35	2760400	Piston		1							
36	2260100	O-ring	Ø 6,02x2,62	1	Lubricate with grease Molykote PG54						
37	660190	O-ring	Ø 6,07x1,78	1	Lubricate with grease Molykote PG54						
38	2760210	Ring	anti-extrusion	1							
39	2760050	Piston guide		1	C=35Nm / Loxeal 55-14						
40	1200690	O-ring	Ø 15,6x1,78	1	Lubricate with grease Molykote PG54						
41	394280	O-ring	Ø 12,42x1,78	1	Lubricate with grease Molykote PG54						

Revision: 1

Oil type: SAE 15W40

Validity: < XX/YY = From week/year

Date: 06/03/2026

Oil quantity: 0,300 Kg

C= Tightening torque (Tolerance +0 ÷ -10%)

* = Not present for electric pump

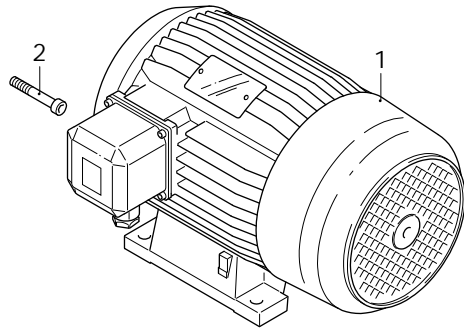


Series 276

HRS

1450rpm

P	Code	Description		Q	Assembly prescription	Validity
1	44093	Motor	Gr.100	1	3 HP EM	
2	1200430	Screw	TCEI M6x16	4	C=10Nm / Loxeal 55-14	



AR_motore-03_v01

Revision: 1

Oil type: SAE 15W40

Validity: < XX/YY = From week/year

Date: 06/03/2026

Oil quantity: 0,300 Kg

C= Tightening torque (Tolerance +0 ÷ -10%)

22117 - HRS 11.11 REG EM