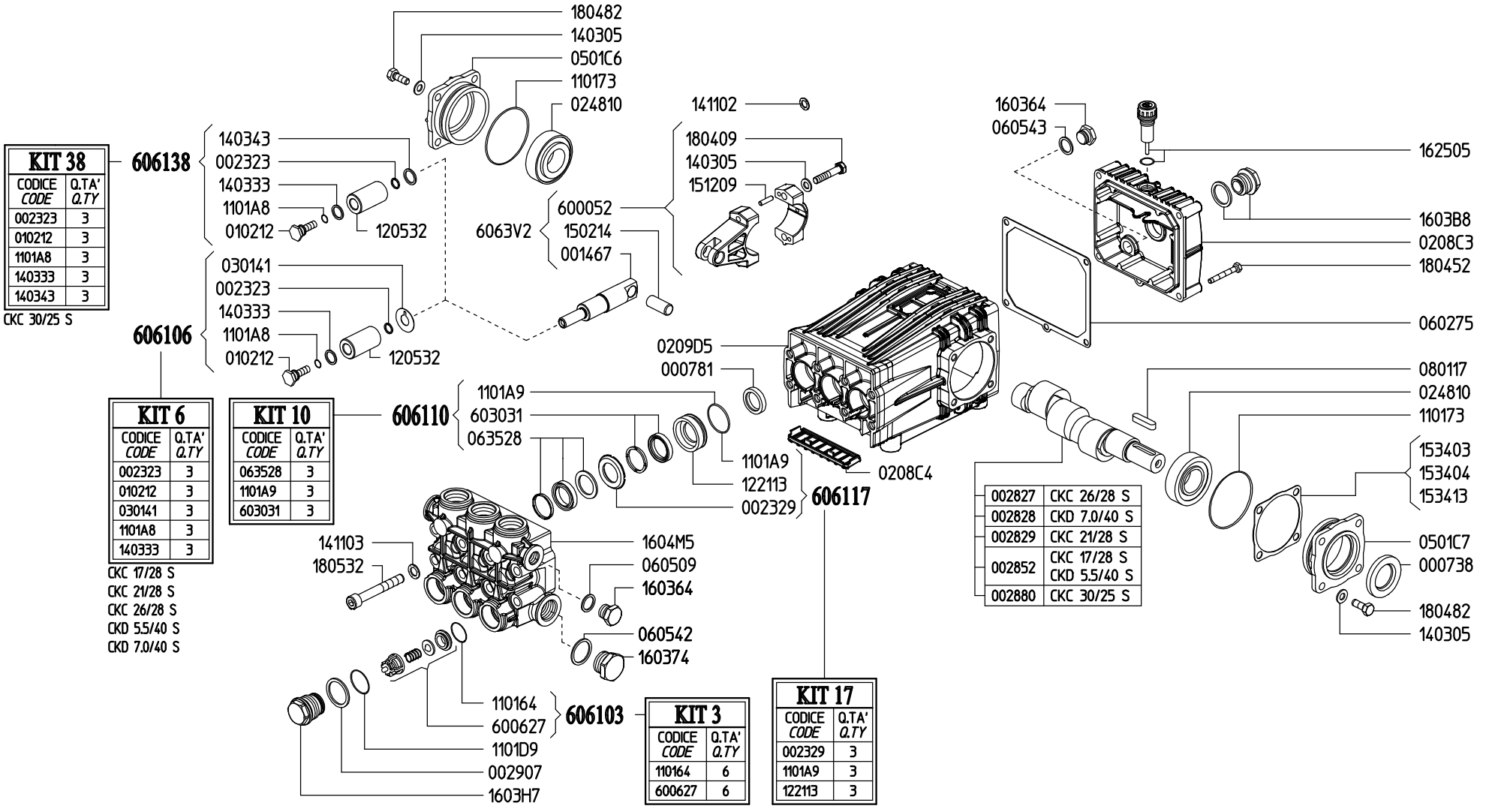


291 600	CKC 17/28 S
290 000	CKC 21/28 S
292 100	CKC 26/28 S
292 400	CKC 30/25 S
291 800	CKD 5.5/40 S
291 900	CKD 7.0/40 S



**KIT 38**

CODICE CODE	Q.TA' Q.TY
002323	3
010212	3
1101A8	3
140333	3
140343	3

CKC 30/25 S

**KIT 6**

CODICE CODE	Q.TA' Q.TY
002323	3
010212	3
030141	3
1101A8	3
140333	3

CKC 17/28 S  
CKC 21/28 S  
CKC 26/28 S  
CKD 5.5/40 S  
CKD 7.0/40 S

**KIT 10**

CODICE CODE	Q.TA' Q.TY
063528	3
1101A9	3
603031	3

**KIT 3**

CODICE CODE	Q.TA' Q.TY
110164	6
600627	6

**KIT 17**

CODICE CODE	Q.TA' Q.TY
002329	3
1101A9	3
122113	3

002827	CKC 26/28 S
002828	CKD 7.0/40 S
002829	CKC 21/28 S
002852	CKC 17/28 S
002880	CKD 5.5/40 S
002880	CKC 30/25 S