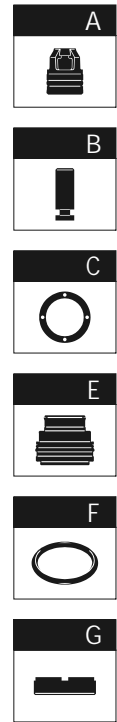
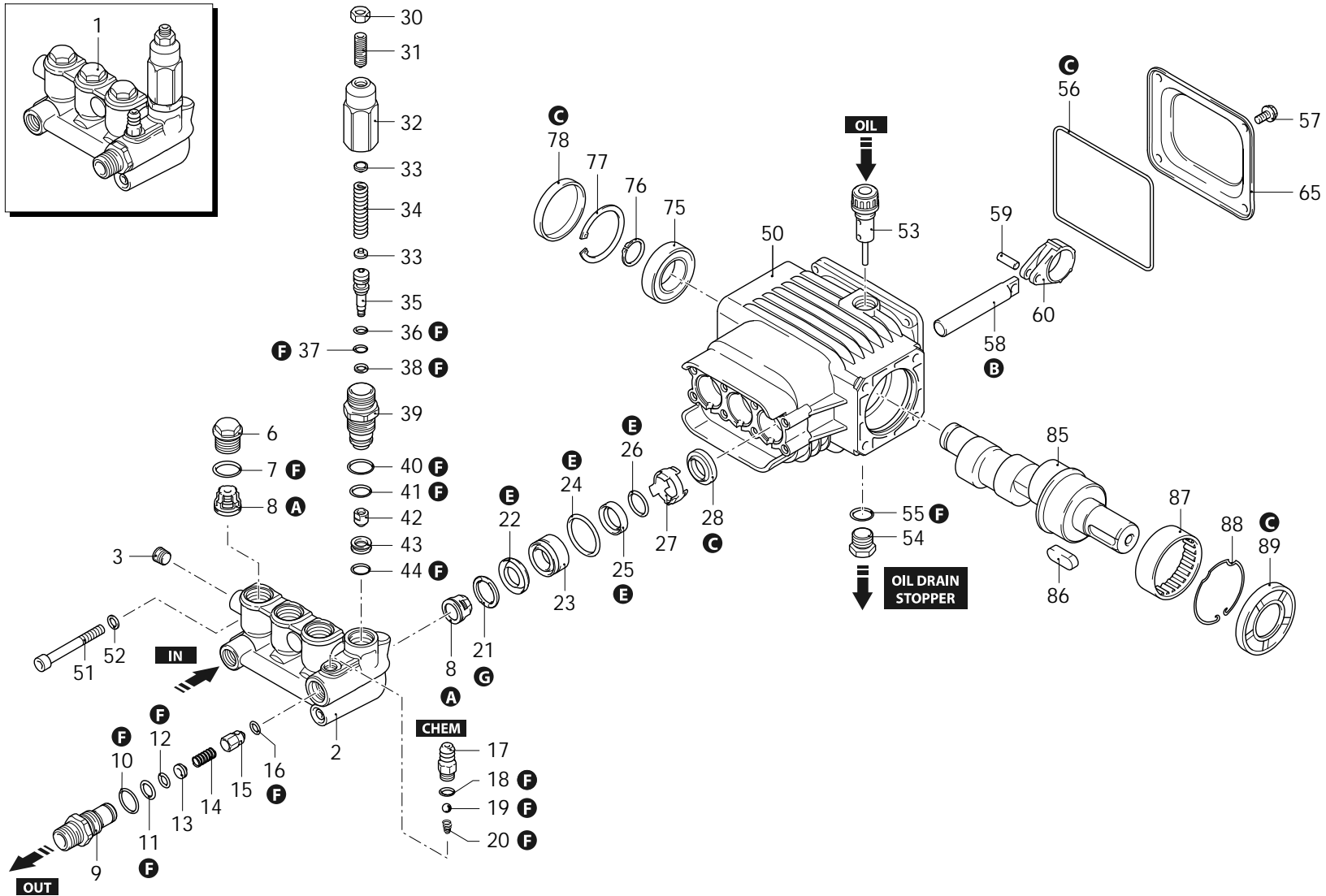
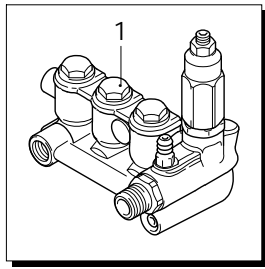




Series 276

HRS

1450rpm



AR_s276-01_v01

06/03/2026



Series 276

HRS

1450rpm

P	Code	Description	Q	Assembly prescription	Validity	P	Code	Description	Q	Assembly prescription	Validity
1	2769203	Head assembly	1	Ø 18		42	2260070	Shutter	1	C=3Nm / Loxeal 55-14	
2	2760510	Head	1	brass		43	2760090	Seat	1		
3	2760260	Plug	2	1/4" G	Loxeal 55-14	44	770140	O-ring	1	Ø 11,11x1,78	Lubricate with grease Molykote PG54
6	2760180	Plug	3		C=50Nm / Loxeal 55-14	50	2760460	Pump body	1		
7	1200690	O-ring	3	Ø 15,6x1,78	Lubricate with grease Molykote PG54	51	801080	Screw	8	TCEI M6x50	C=10,4Nm
8	2769050	Complete valve	6			52	1381550	Washer	8		
9	2760230	Fitting	1	3/8" G (M)	C=40Nm / Loxeal 55-14	53	880130	Oil plug	1	with oil dipstick	
10	394280	O-ring	1	Ø 12,42x1,78	Lubricate with grease Molykote PG54	54	1980740	Plug	1	3/8" G brass	C=20Nm
11	2760270	O-ring	1	Ø 12x1	Lubricate with grease Molykote PG54	55	740290	O-ring	1	Ø 14x1,78	Lubricate with grease Molykote PG54
12	1470210	O-ring	1	Ø 9x1		56	2760280	O-ring	1	Ø 101,27x2,62	
13	2760120	Injector	1	Ø 2,0		57	802190	Screw	4	TE 6x12	C=8Nm
14	2760200	Spring	1			58	2760450	Piston	3	Ø 18	
15	2760130	Shutter	1			59	1780050	Pin	3		
16	1460430	O-ring	1	Ø 4x2,5		60	1780040	Connecting-rod	3	aluminium	Lubricate with grease Molykote BR2 PLUS
17	1982520	Hose tail	1	Ø 8	C=4Nm / Loxeal 55-14	65	2760110	Cover	1		
18	480480	O-ring	1	Ø 4,48x1,78		75	1780490	Bearing	1		
19	1250280	Ball	1			76	1780550	Ring	1	seeger Øe 20	
20	1560520	Spring	1			77	1260790	Ring	1	seeger Øi 52	
21	1780140	Ring	3	support Ø 18		78	1266740	Cover	1		
22	1260220	Water seal	3	Ø 18		85	2760520	Shaft	1	7 marked	
23	1320351	Piston guide	3	Ø 18		86	650250	Key	1		
24	1260420	O-ring	3	Ø 26,70x1,78	Lubricate with grease Molykote PG54	87	1321190	Bearing	1		Assemble with tool [1780610]
25	1260450	Water seal	3	Ø 18	Lubricate with grease Molykote PG54	88	1321080	Ring	1		
26	480440	O-ring	3	Ø 17,13x2,62		89	1260750	Ring	1	seal	Assemble with tool [1941990]
27	2760600	Spacer	3			A	2186	Valve kit	1		
28	2460170	Oil seal	3			B	42303	Piston kit	1	Ø 18	
30	1060120	Nut	1	M6		C	42194	Oil seal kit	1		
31	392840	Screw	1	M6x16		E	42195	Water seal kit	1	Ø 18	
32	2760480	Insert	1			F	2190	Gasket kit	1		
33	1980220	Wobble plate	2			G	42196	Support ring kit	1	Ø 18	
34	2760410	Spring	1		Lubricate with grease Molykote BR2 PLUS						
35	2760400	Piston	1								
36	2260100	O-ring	1	Ø 6,02x2,62	Lubricate with grease Molykote PG54						
37	660190	O-ring	1	Ø 6,07x1,78	Lubricate with grease Molykote PG54						
38	2760210	Ring	1	anti-extrusion							
39	2760050	Piston guide	1		C=35Nm / Loxeal 55-14						
40	1200690	O-ring	1	Ø 15,6x1,78	Lubricate with grease Molykote PG54						
41	394280	O-ring	1	Ø 12,42x1,78	Lubricate with grease Molykote PG54						

Revision: 1

Oil type: SAE 15W40

Validity: < XX/YY = From week/year

Date: 06/03/2026

Oil quantity: 0,300 Kg

C= Tightening torque (Tolerance +0 ÷ -10%)

* = Not present for electric pump

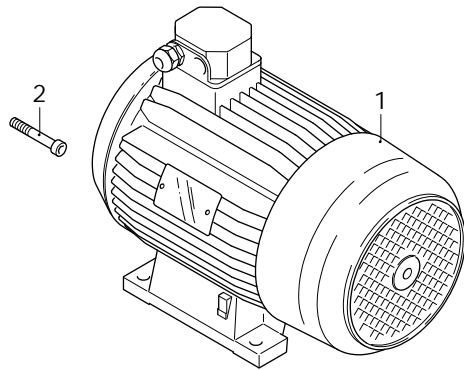


Series 276

HRS

1450rpm

P	Code	Description		Q	Assembly prescription	Validity
1	44094	Motor	Gr.100	1	5,5 HP ET	
2	1200430	Screw	TCEI M6x16	4	C=10Nm / Loxeal 55-14	



AR_motore-04_v01

Revision: 1

Oil type: SAE 15W40

Validity: < XX/YY = From week/year

Date: 06/03/2026

Oil quantity: 0,300 Kg

C= Tightening torque (Tolerance +0 ÷ -10%)

22120 - HRS 11.17 REG ET