



IPC Integrated Professional Cleaning

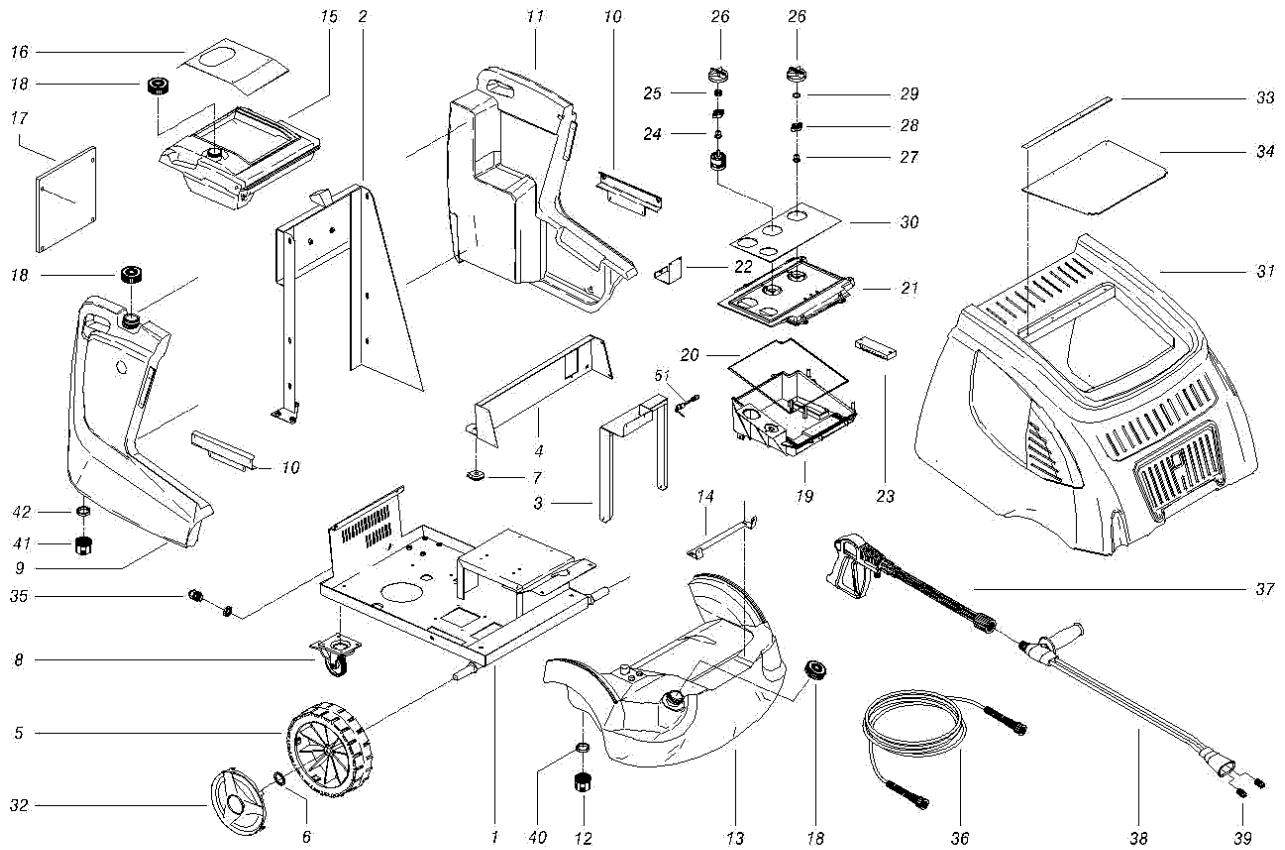
IPCPortotecnica

Spare Parts List

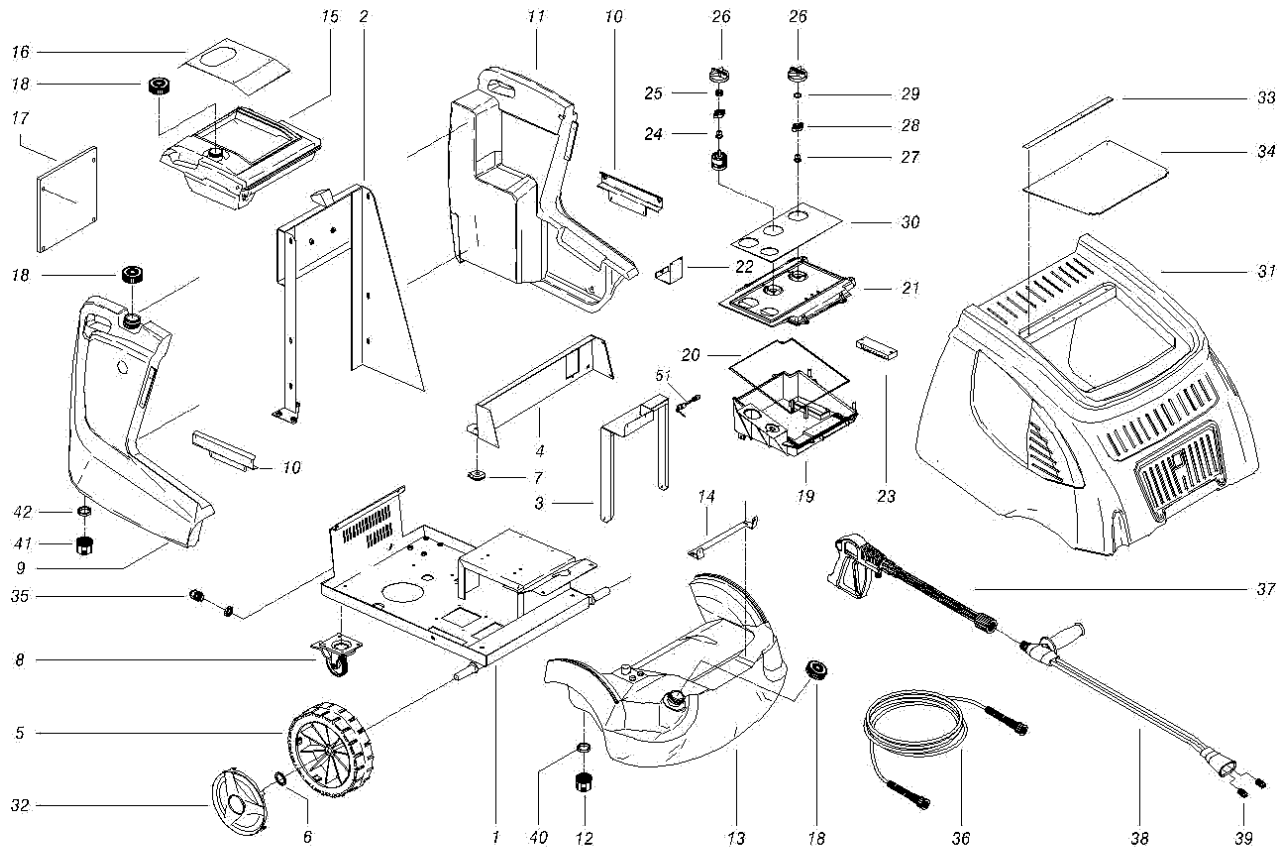
IPCICA

Ref: IDAC44523

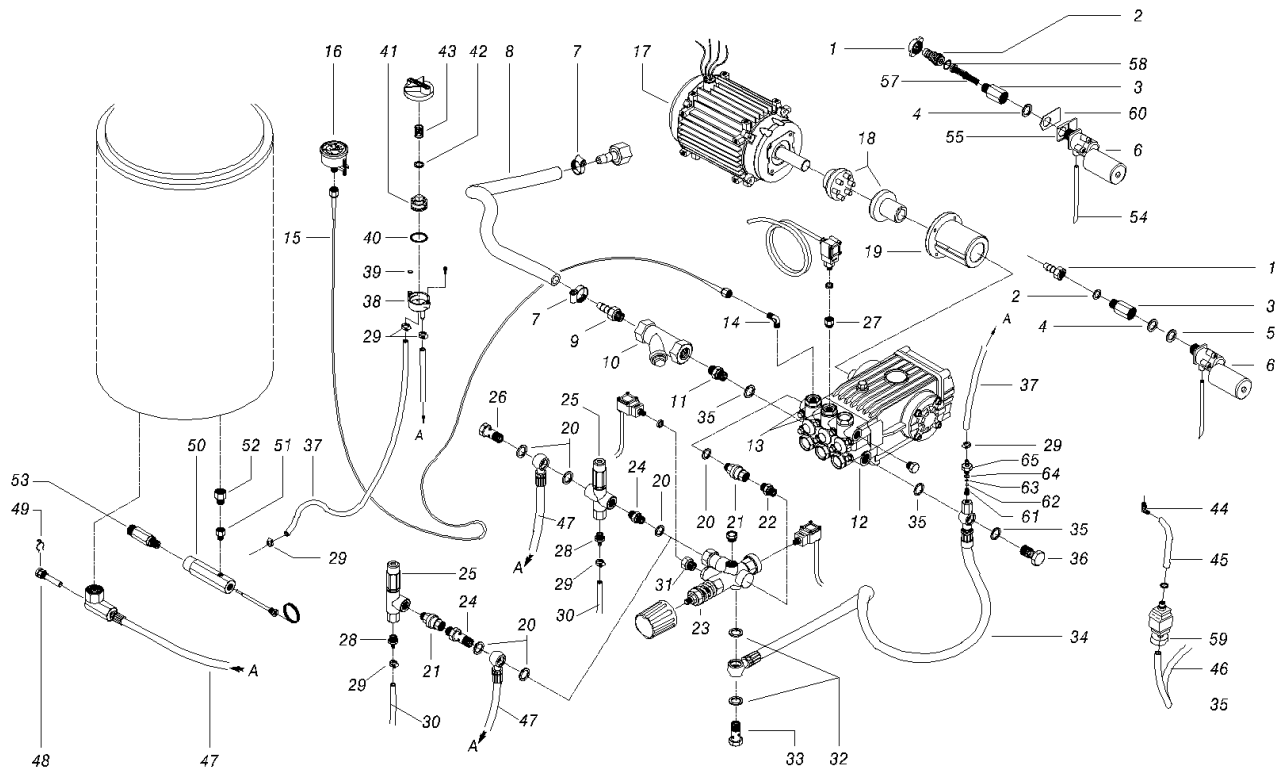
Model: IDROP HPS DS 1921 T 400/50 3-01PRT



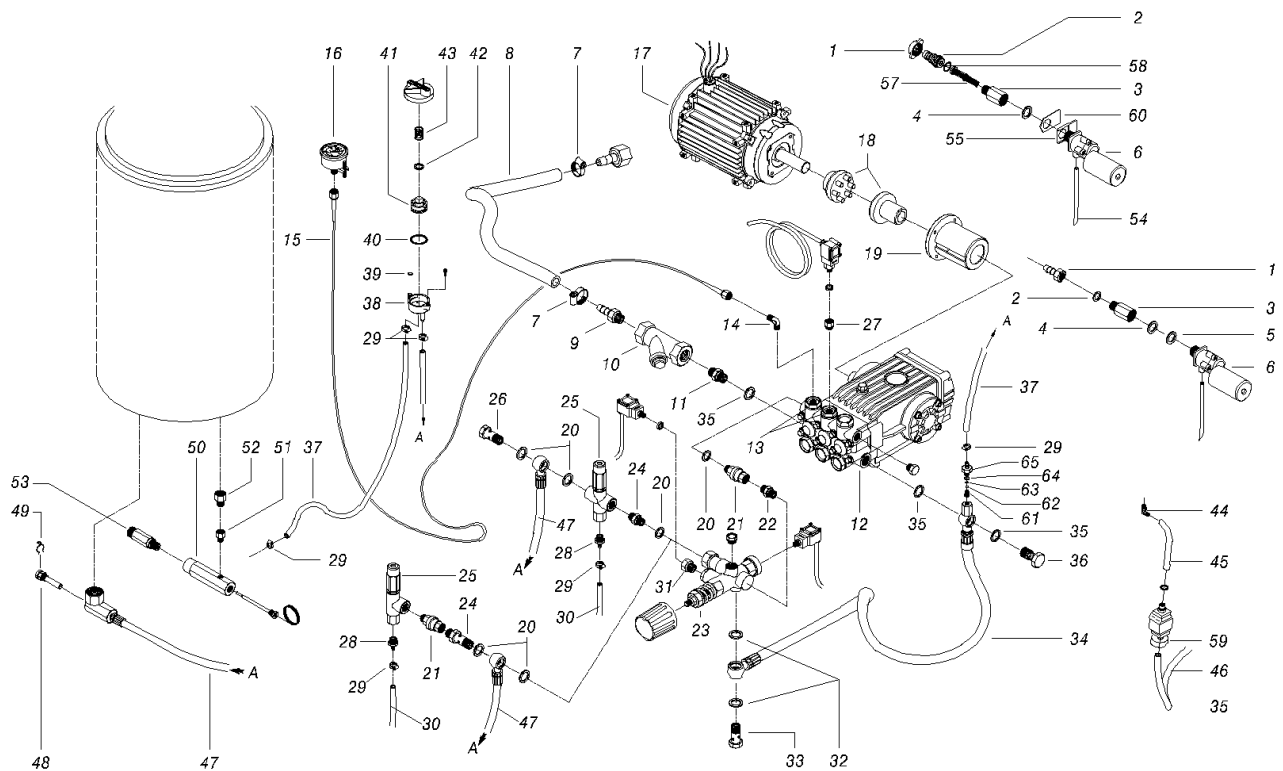
| Ref. K | Part N. | Customer Part N. | Description | Qty | Validity: | | Price |
|--------|-----------|------------------|--------------------------------------|------|-----------|---------|-------|
| | | | | | From | To | |
| 0001 | LAFN44276 | | CHARIOT P105 | 1,00 | | | -- |
| 0002 | LAFN44283 | | CHASSIS P105 | 1,00 | | | -- |
| 0003 | LAFN44269 | | SUPPORT P105 | 1,00 | | | -- |
| 0004 | LAFN44267 | | ETRIER SUPPORT P105 | 1,00 | | | -- |
| 0005 | RTRT45383 | | ROUE D.305-D.25 RT-IPC | 2,00 | 09/2001 | | -- |
| 0006 | VTRS09813 | | RONDELLE D.25 | 2,00 | | | -- |
| 0008 | RTRT07480 | | ROUE PIVOTTANTE D.125 P MZ.PLS. | 1,00 | | | -- |
| 0008 | RTRT13708 | | ROUE PIVOTTANTE D.125 P. MZ.PLS | 1,00 | | | -- |
| 0009 | MPVR85023 | | RESERVOIR P105 PEHD | 1,00 | | 02/2005 | -- |
| 0009 | MPVR88966 | | RESERVOIR P105 C/F.SC. PEHD | 1,00 | 03/2005 | | -- |
| 0010 | LAFN45458 | | BRIDE P105 LAT. | 2,00 | 01/2002 | | -- |
| 0011 | MPVR85024 | | RESERVOIR EAU ADM | 1,00 | | | -- |
| 0013 | MPVR40020 | | RESERVOIR FUEL P105-HPS 2V. PEHD | 1,00 | 04/2007 | | -- |
| 0013 | MPVR45301 | | RESERVOIR FUEL P105-HPS | 1,00 | | 04/2007 | -- |
| 0014 | LAFN45456 | | BRIDE P105 ANT. | 1,00 | 01/2002 | | -- |
| 0015 | MPVR85026 | | RESERVOIR P105 PEHD | 1,00 | | 02/2005 | -- |
| 0015 | MPVR88967 | | RESERVOIR P105 C/F G.1/2 PEHD | 1,00 | 03/2005 | | -- |
| 0016 | LAFN44264 | | PANNEAU P105-HPS INX | 1,00 | | | -- |
| 0017 | MPVR45293 | | PANNEAU POST. ADM-P105 PE | 1,00 | | | -- |
| 0018 | MPVR40573 | | BOUCHON BAC MHDS-SK | 3,00 | | | -- |
| 0019 | MPVR33248 | | BOITE CONTROLE MISTRAL PP | 1,00 | | | -- |
| 0020 | GUGO11309 | | JOINT MOUSSE D. 3 | 1,20 | | | -- |
| 0021 | MPVR40023 | | COUVERCLE BOITEMISTRAL C/F.MN.BK | 1,00 | | | -- |
| 0022 | LAFN34423 | | ETRIER SUPPORT MST.S-P | 1,00 | | | -- |
| 0023 | MPVR33250 | | COUVERCLE CABLEMISTRAL | 1,00 | | | -- |
| 0024 | MPVR23482 | | TALON TEC. TUV | 1,00 | | | -- |
| 0025 | GUGO23079 | | BAGUE V-SEAL VA0014 13.5- 15.5 | 1,00 | | | -- |
| 0026 | MPVR20190 | | POIGNEE GRIS KSM | 3,00 | | | -- |
| 0027 | MPVR23484 | | TALON THERM.KSM TUV | 1,00 | | | -- |
| 0028 | MPVR41903 | | EPAISSEUR TERM.IM.PA66 | 1,00 | | | -- |
| 0029 | GUGO25527 | | O-RING D. 14 X 3 NBR 70SH | 1,00 | | | -- |
| 0030 | ETET40687 | | ETICHETTE MST PR.II DS PLC | 1,00 | | | -- |
| 0031 | MPVR44796 | | COUVERT.ROUGE HPS COMP. ABS | 1,00 | | | -- |
| 0032 | MPVR45384 | | ENJOLIVEUR ROU.D. 305 RT-PRT | 2,00 | 09/2001 | | -- |
| 0033 | LAFN45294 | | AGRAFE P.TUYAU P105-HPS INX | 1,00 | | | -- |
| 0034 | MPVR44347 | | PROTECTION P105-HPS PVC | 1,00 | | | -- |
| 0035 | MEVR33994 | | COLLIER DE SER.4228 B D. 6- 18 | 1,00 | | | -- |
| 0036 | TBAP16656 | | TUYAU H.P. R2 MT 15 5/16" IRV F-SWIV | 1,00 | | | -- |
| 0037 | IPPR12973 | | POIGNEE ST 2000 - P 330 - M22 M V | 1,00 | | 03/2007 | -- |



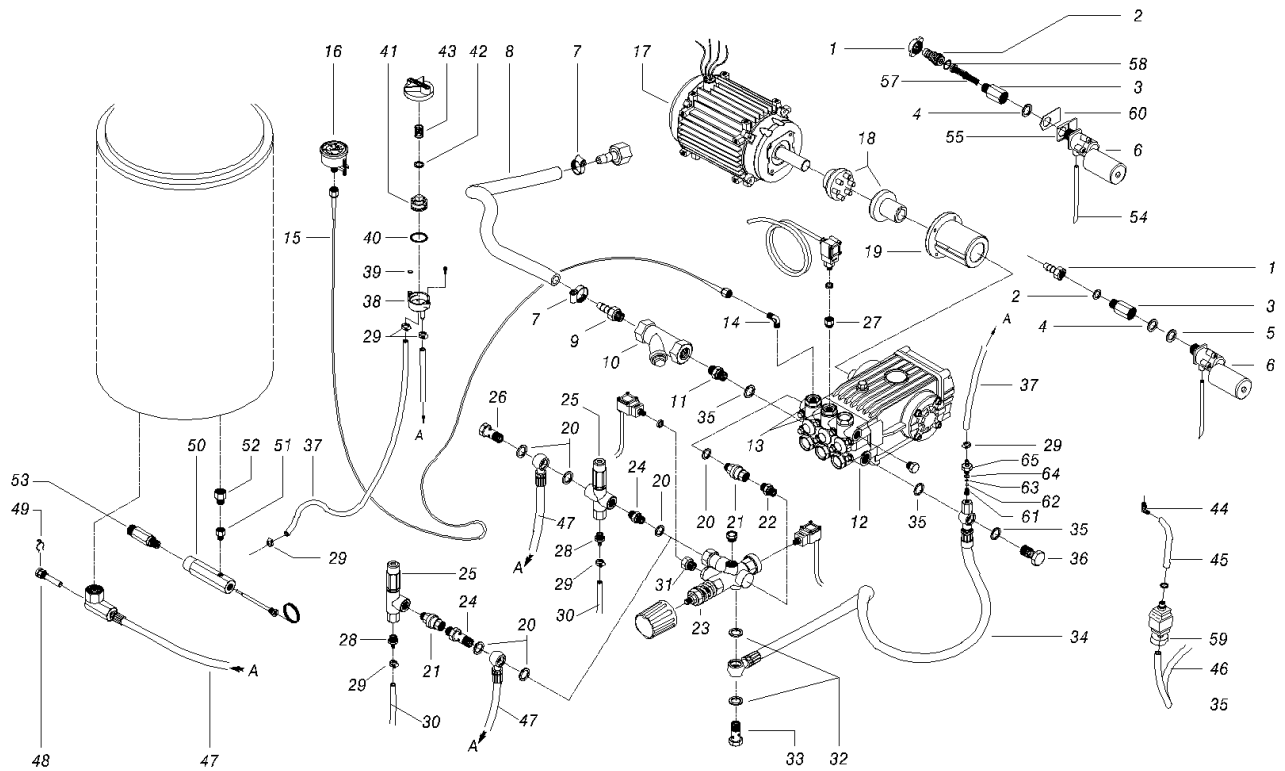
| Ref. K | Part N. | Customer Part N. | Description | Qty | Validity: | | Price |
|--------|-----------|------------------|-----------------------------------|------|-----------|---------|-------|
| | | | | | From | To | |
| 0037 | IPPR89429 | | POIGNEE G 4500 - P.330 -M22SW.M V | 1,00 | 03/2007 | | -- |
| 0038 | LCPR12983 | | RALLONGE DOUBLEPD 70 | 1,00 | 04/2006 | | -- |
| 0039 | UGLN02304 | | BUSE 1/4 25065 | 2,00 | 10/2001 | 12/2001 | -- |
| 0039 | UGLN02307 | | BUSE 1/4 2507 | 2,00 | 12/2001 | 04/2006 | -- |
| 0039 | UGLN49996 | | BUSE LECH 1/4 2507 | 2,00 | 04/2006 | | -- |
| 0041 | PVVR11806 | | BOUCHON ECHAPP.FLL | 1,00 | 03/2005 | | -- |
| 0041 | RCDS72851 | | BOUCHON 1/2"F NYL | 1,00 | 01/2006 | | -- |
| 0041 | RCDS72851 | | BOUCHON 1/2"F NYL | 1,00 | | 01/2006 | -- |
| 0042 | GUGO11489 | | JOINT D.22X1,5 | 1,00 | 03/2005 | | -- |
| 0050 | LAFN40006 | | SUPPORT P105 2V. BK | 1,00 | 07/2006 | | -- |
| 0051 | MEVR27264 | | PORTE-FUSIBLES 031-1081 | 3,00 | | | -- |
| 9999 | KTRI86962 | | KIT S 35-12 ROLLER 20 NR ADM | 1,00 | | | -- |
| 9999 | RCIN03755 | | RACC. FEMELLE 3/8MB | 1,00 | | | -- |



| Ref. K | Part N. | Customer Part N. | Description | Qty | Validity: | | Price |
|--------|-----------|------------------|-------------------------------------|------|-----------|---------|-------|
| | | | | | From | To | |
| 0001 | RCVR29600 | | PRISE PTC 3/4 F | 1,00 | | 09/2002 | -- |
| 0001 | RCDS09316 | | RONDELLE G. 3/4 | 1,00 | 09/2002 | | -- |
| 0002 | GUGO42220 | | JOINT D. 3/4" X2 | 1,00 | | 09/2002 | -- |
| 0002 | RCDS08965 | | RACC. P. TUYAU OTT. | 1,00 | 09/2002 | | -- |
| 0002 | RCVR29602 | | RACCORD D. 1/2"-5/8" PTC | 1,00 | | 09/2002 | -- |
| 0003 | RCDS45082 | | MANCHON 3/4 M/F D.12-32 L.32 OT | 1,00 | | 09/2002 | -- |
| 0003 | RCDS47453 | | MANCHON 3/4 M/F PTG. OT | 1,00 | 09/2002 | 08/2004 | -- |
| 0003 | RCDS88499 | | MANCHON 3/4 M/F PTG. L.68 OT | 1,00 | 09/2004 | | -- |
| 0004 | GUGO43071 | | JOINT D. 14- 24 X 4 70SH | 1,00 | | | -- |
| 0006 | RCGR39997 | | FLOTTEUR MTM 3/4G M 10BAR | 1,00 | | 09/2002 | -- |
| 0006 | RCGR60703 | | FLOTTEUR MTM 3/4 PP. S/F. | 1,00 | 09/2002 | | -- |
| 0007 | FSVR00431 | | COLLIER D. 16-25 | 1,00 | | | -- |
| 0008 | TBBP15656 | | TUYAU B.P. D.16-26 20BAR | 0,60 | | | -- |
| 0009 | RCDS45366 | | RACC. P. TUYAU 3/4 M D.13-16 OT | 1,00 | 10/2002 | | -- |
| 0009 | RCDS45366 | | RACC. P. TUYAU 3/4 M D.13-16 OT | 1,00 | 09/2001 | 12/2001 | -- |
| 0009 | RCDS46147 | | RACC. P. TUYAU 3/4 M D.11-16 OT | 1,00 | 12/2001 | 10/2002 | -- |
| 0010 | FTAC33904 | | FILTRE 3/4 F/F 2.VERS. | 1,00 | | | -- |
| 0011 | RCDS00602 | | NIPPLE 3/4 - 1/2 CN D.13.5 | 1,00 | | | -- |
| 0012 | PPAP05103 | | POMPE WS102 SX LT 21-100 BAR | 1,00 | | | -- |
| 0013 | RCDS09059 | | BOUCHON M24X2X16 + 1/4F OTT | 2,00 | | | -- |
| 0014 | RCVR12430 | | COUDE 1/4" M/M A15 | 1,00 | | | -- |
| 0015 | TBAP04437 | | TUYAU POLYAMIDEL=420 1/4-1/4 F-F | 1,00 | | 02/2007 | -- |
| 0015 | TBAP40006 | | TUYAU POLYAMIDEL=420 1/4 F-F | 1,00 | 03/2007 | | -- |
| 0016 | MNMN07992 | | MANOMETRE 0-250 D.50 | 1,00 | | 11/2003 | -- |
| 0016 | MNMN49621 | | MANOMETRE 0-250 D.50 INOX | 1,00 | 11/2003 | | -- |
| 0017 | MOTR44898 | | MOTEUR 3PH B3-14 HP 9 23/400-50E.RC | 1,00 | | | -- |
| 0018 | FGGT45295 | | ACC. ELASTIQUE IP WW 9.0HP P105 | 1,00 | | 09/2004 | -- |
| 0018 | FGGT88467 | | ACC. ELASTIQUE P105 HP 9.0 CPL. | 1,00 | 09/2004 | | -- |
| 0019 | LAFN45941 | | PROTECTION P105-9HP | 4,00 | | 05/2006 | -- |
| 0019 | MFVR89552 | | BRIDE MOTEUR H 112 B14-P237 9HP | 1,00 | 05/2006 | | -- |
| 0019 | MFVR45403 | | BRIDE MOTEUR H 112 B14-P105 9HP | 1,00 | | 05/2006 | -- |
| 0020 | VTRS12492 | | RONDELLE 3/8 | 4,00 | | | -- |
| 0021 | RCVR00563 | | JOINT ROTATIF 3/8 M/F | 1,00 | | | -- |
| 0022 | RCDS00610 | | NIPPLE 3/8 - 3/8 SV | 1,00 | 02/2004 | | -- |
| 0023 | VVAZ45134 | | SOUPAPE MV 550 2.G3/8F | 1,00 | 02/2004 | | -- |
| 0024 | RCDS12121 | | NIPPLE 3/8 - 3/8 SV/CN | 1,00 | | 02/2004 | -- |
| 0024 | RCDS11778 | | VIS CREUSE G 3/8 + 3/8M | 1,00 | 02/2004 | | -- |
| 0025 | VVSC21627 | | SOUPAPE VS 220 G3/8 | 1,00 | 02/2004 | | -- |
| 0025 | VVSC40541 | | SOUPAPE VS 220 2 G3/8 F | 1,00 | | 02/2004 | -- |

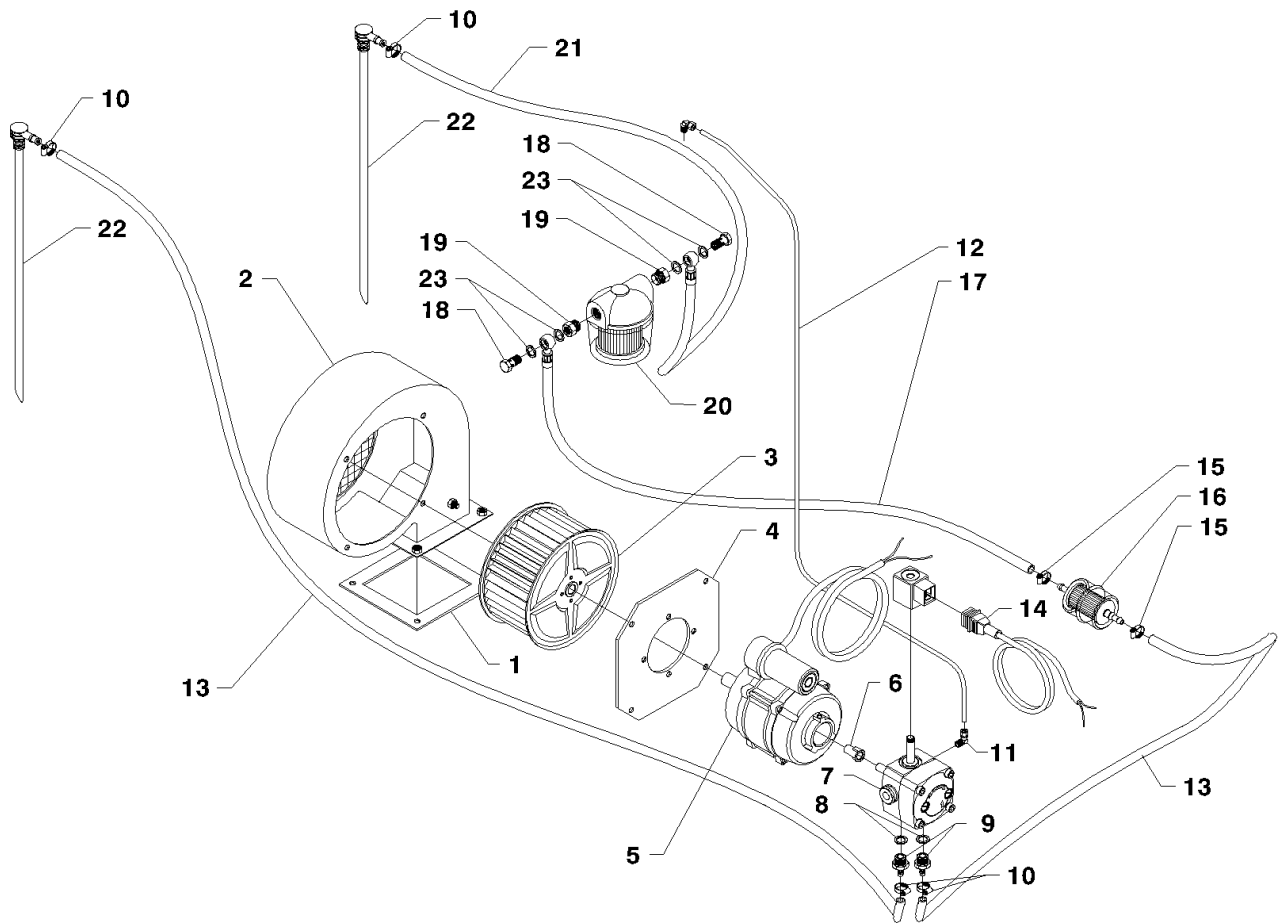


| Ref. K | Part N. | Customer Part N. | Description | Qty | Validity: | | Price |
|--------|-----------|------------------|--|------|-----------|---------|-------|
| | | | | | From | To | |
| 0026 | RCDS01371 | | VIS CREUSE G 3/8 A.P. | 1,00 | | 02/2004 | -- |
| 0027 | RCVR02596 | | MANCHON 1/4 M/F A5 | 1,00 | | 04/2002 | -- |
| 0027 | VTRS40960 | | RONDELLE D.13.5X19 X4 AL. | 1,00 | 04/2002 | | -- |
| 0028 | RCDS03514 | | RACC. P. TUYAU 3/8 M D. 5- 7 | 1,00 | 02/2004 | | -- |
| 0028 | RCDS03514 | | RACC. P. TUYAU 3/8 M D. 5- 7 | 1,00 | | 02/2004 | -- |
| 0029 | FSVR00427 | | COLLIER D. 12 CLIC 66-110 | 1,00 | | | -- |
| 0030 | TBBP04917 | | TUYAU B.P. D. 6- 9 | 0,60 | | | -- |
| 0031 | RCVR00644 | | REDUCTION 1/4-1/8 M/F | 1,00 | 02/2004 | | -- |
| 0032 | VTRS12821 | | RONDELLE D.14X18,7X1,25 1/4 GM | 2,00 | | | -- |
| 0033 | RCDS02612 | | VIS CREUSE G 1/4 A.P. | 1,00 | | | -- |
| 0034 | TBBP41686 | | TUYAU BY-PASS L=390 1/2+V.NRT-1/4OC 90° | 1,00 | | | -- |
| 0035 | VTRS12491 | | RONDELLE 1/2 | 4,00 | | | -- |
| 0036 | RCDS33982 | | VIS CREUSE 1/2 C/SC. L=41.5 D.13.5 | 1,00 | | | -- |
| 0037 | TBBP00051 | | TUYAU DETERGENTD. 6-12 | 2,00 | | | -- |
| 0038 | RCGR08069 | | CORPS ROBINET DET. PRT | 1,00 | | | -- |
| 0039 | GUGO08071 | | O-RING D. 4.48 X 1.78 NBR 70SH | 1,00 | | | -- |
| 0040 | GUGO12183 | | O-RING D. 23.4 X 3.53 VIT 70SH | 1,00 | | | -- |
| 0041 | RCGR08070 | | REGULATEUR PRT | 1,00 | | | -- |
| 0042 | VTRS00542 | | RONDELLE D.14X20 | 1,00 | | | -- |
| 0043 | MLML08068 | | RESSORT D.1,5 L.23 | 1,00 | | | -- |
| 0044 | RCVR14044 | | RACCORD L 1/8" M C5 D. 6/ 4 NIK | 1,00 | | | -- |
| 0045 | TBBP11756 | | TUYAU B.P. D. 4- 6 RILSAN NTR | 0,40 | | | -- |
| 0046 | TBBP00058 | | TUYAU B.P. D. 4- 6 | 0,50 | | | -- |
| 0047 | TBAP44709 | | TUYAU D.JONCT. 3/ 8 R2 L=710 3/8O-1/2PMG | 1,00 | | | -- |
| 0048 | RCDS00593 | | RECUPERATION IM 0-120 L=50 | 1,00 | | | -- |
| 0049 | MLML02623 | | RESSORT IMT | 1,00 | | | -- |
| 0050 | RCDS19322 | | CORPS BLOC 3/8F-M14 | 1,00 | | | -- |
| 0051 | VTDD19324 | | ECROU G 1/2 | 1,00 | | | -- |
| 0052 | RCDS19326 | | RACCORD M 14 | 1,00 | | | -- |
| 0053 | RCDS44542 | | RACCORD M22 M -3/8M L=100 OT. | 1,00 | | | -- |
| 0054 | TBBP17436 | | TUYAU B.P. D.12-14 RILSAN NT. | 0,15 | 09/2002 | | -- |
| 0055 | LAFN47452 | | BRIDE P105 INX | 1,00 | 09/2002 | 08/2004 | -- |
| 0055 | LAFN88500 | | BRIDE P105 INT. INX | 1,00 | 09/2004 | | -- |
| 0057 | FTAC09717 | | FILTRE D.15X37 | 1,00 | 09/2002 | | -- |
| 0058 | GUGO01054 | | O-RING D. 15.08 X 2.62 NBR 70SH | 1,00 | 09/2002 | | -- |
| 0059 | MPVR44324 | | SUPPORT NM1-P105 PVC | 1,00 | | 10/2002 | -- |
| 0059 | MPVR47772 | | SUPPORT NME1-P105 PVC | 1,00 | 10/2002 | | -- |
| 0060 | LAFN88501 | | BRIDE P105 EST. INX | 1,00 | 09/2004 | | -- |
| 0061 | MLML21505 | | RESSORT D. 8 X5 X0.3 | 1,00 | | | -- |

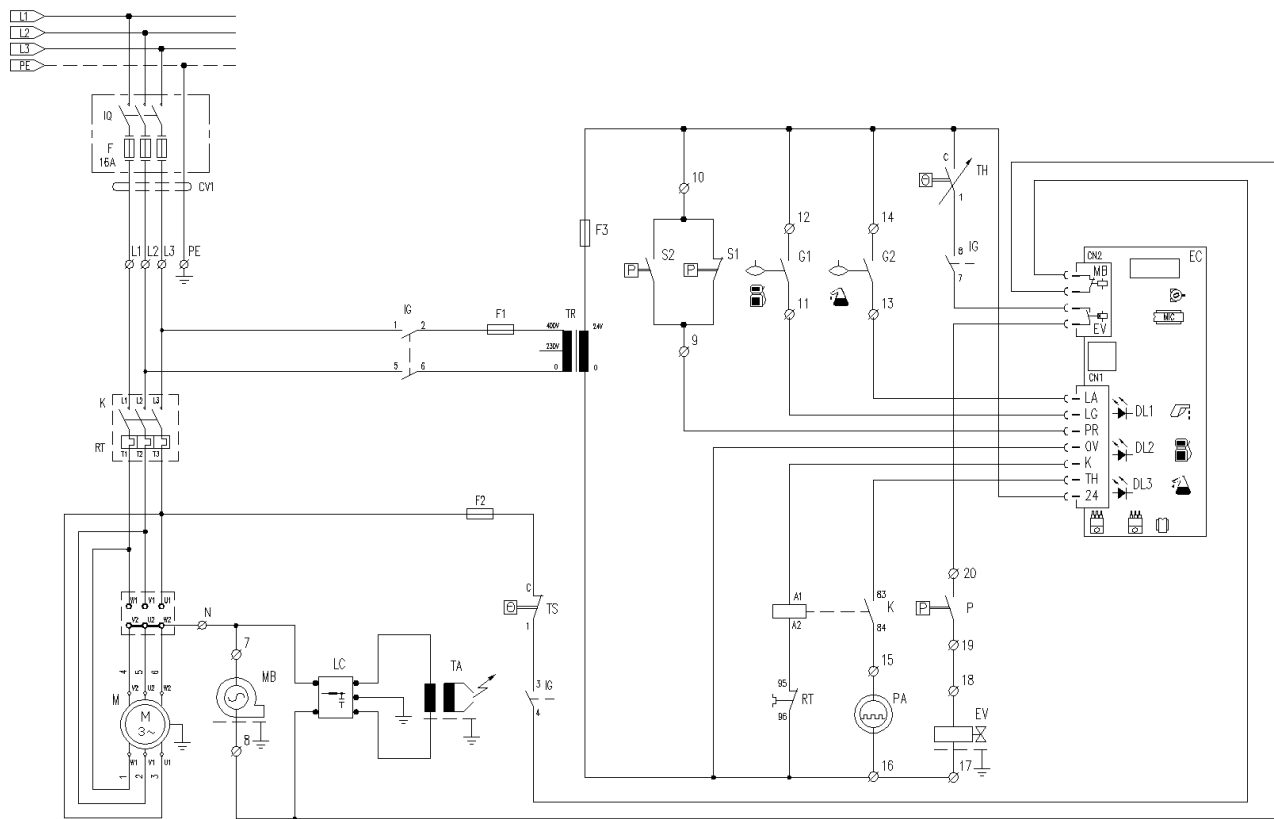


| Ref. K | Part N. | Customer Part N. | Description | Qty | Validity: | | Price |
|--------|-----------|------------------|--------------------------------------|------|-----------|----|-------|
| | | | | | From | To | |
| 0062 | SFVR04274 | | BILLE D. 7/32 | 1,00 | | | -- |
| 0063 | GUGO01055 | | O-RING D. 5.28 X 1.78 VIT 70SH | 1,00 | | | -- |
| 0064 | GUGO01036 | | O-RING D. 10.82 X 1.78 NBR 70SH | 1,00 | | | -- |
| 0065 | RCDS10546 | | SIEGE SOUPAPE 1/4M + PG. D.3-7.5 OTT | 1,00 | | | -- |

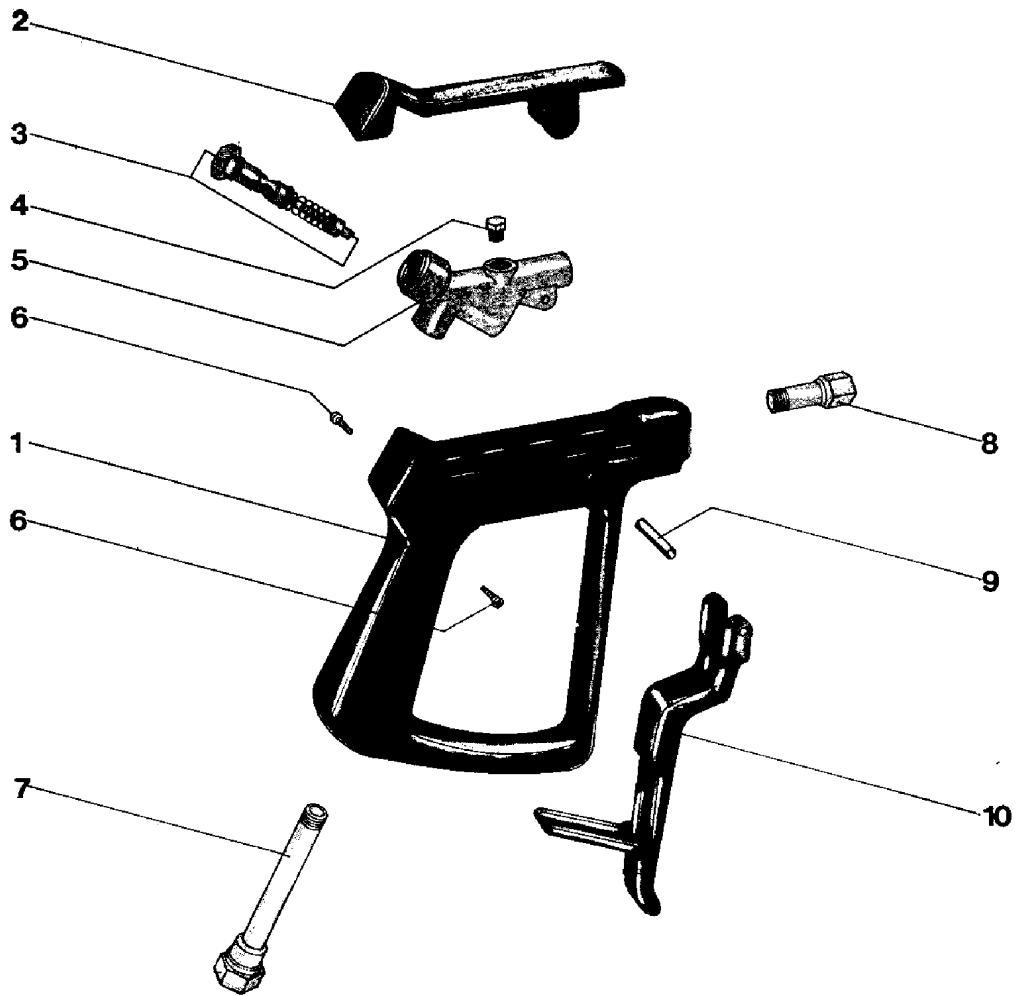
| Ref. | K | Part N. | Customer Part N. | Description | Qty | Validity: | | Price |
|------|---|-----------|------------------|-----------------------------------|------|-----------|----|-------|
| | | | | | | From | To | |
| 0001 | | LAFN12715 | | FOND CHAUDIERE FUT | 1,00 | | | -- |
| 0002 | | RCDS00561 | | FRETTE 1/2 OTT | 2,00 | | | -- |
| 0003 | | GUVR35205 | | JOINT D. 7 FIB. | 1,02 | | | -- |
| 0004 | | LAFN11708 | | CALE FUT | 1,00 | | | -- |
| 0005 | | LAFN38136 | | SERPENTIN DOUB.3/8 MST 40MT 200B. | 1,00 | | | -- |
| 0006 | | LAFN08244 | | CYLINDRE INT. J.FUT INX | 1,00 | | | -- |
| 0007 | | LAFN08242 | | CYLINDRE EXT. J.FUT INX | 1,00 | | | -- |
| 0008 | | LAFN08072 | | COUVERCLE CHAUDFUT INX | 1,00 | | | -- |
| 0009 | | LAFN09096 | | ENTRETOISE 10X28,5 | 3,00 | | | -- |
| 0010 | | LAFN08042 | | DEFLECTEUR FUT | 1,00 | | | -- |
| 0011 | | LAFN07676 | | COUVERCLE CHAUDFUT INX | 1,00 | | | -- |
| 0012 | | UGBR31344 | | GIGLEUR BRULEUR1.75 60 S | 1,00 | | | -- |
| 0013 | | MFVR18226 | | PORTE-ELECTRODEFUT 3°V | 1,00 | | | -- |
| 0014 | | MPVR18228 | | TEMOIN HUILE D.17 X3 | 1,00 | | | -- |
| 0015 | | VTAE22633 | | SEEGER 0.4 X18,30X10,5 | 1,00 | | | -- |
| 0016 | | RCDS07642 | | PORTE BUSE FUT | 1,00 | | | -- |
| 0017 | | RCVR08954 | | COUDE 1/8"-4 B5 | 1,00 | | | -- |
| 0018 | | LAFN07641 | | PLAQUETTE INX | 1,00 | | | -- |
| 0019 | | MECA12525 | | ELECTRODE FUT | 1,00 | | | -- |
| 0020 | | VTDD05907 | | ECROU M 6 CIE. | 6,00 | | | -- |
| 0021 | | MECV35334 | | CABLE A.T. 9,8-23KOHM/M L= 400P | 2,00 | | | -- |
| 0022 | | MECB34463 | | CABLE BT L=800 SP. | 1,00 | | | -- |
| 0023 | | MPVR40012 | | TAPIS DE TRANS.CB4-P105 2PZ.CP. | 1,00 | 05/2007 | | -- |



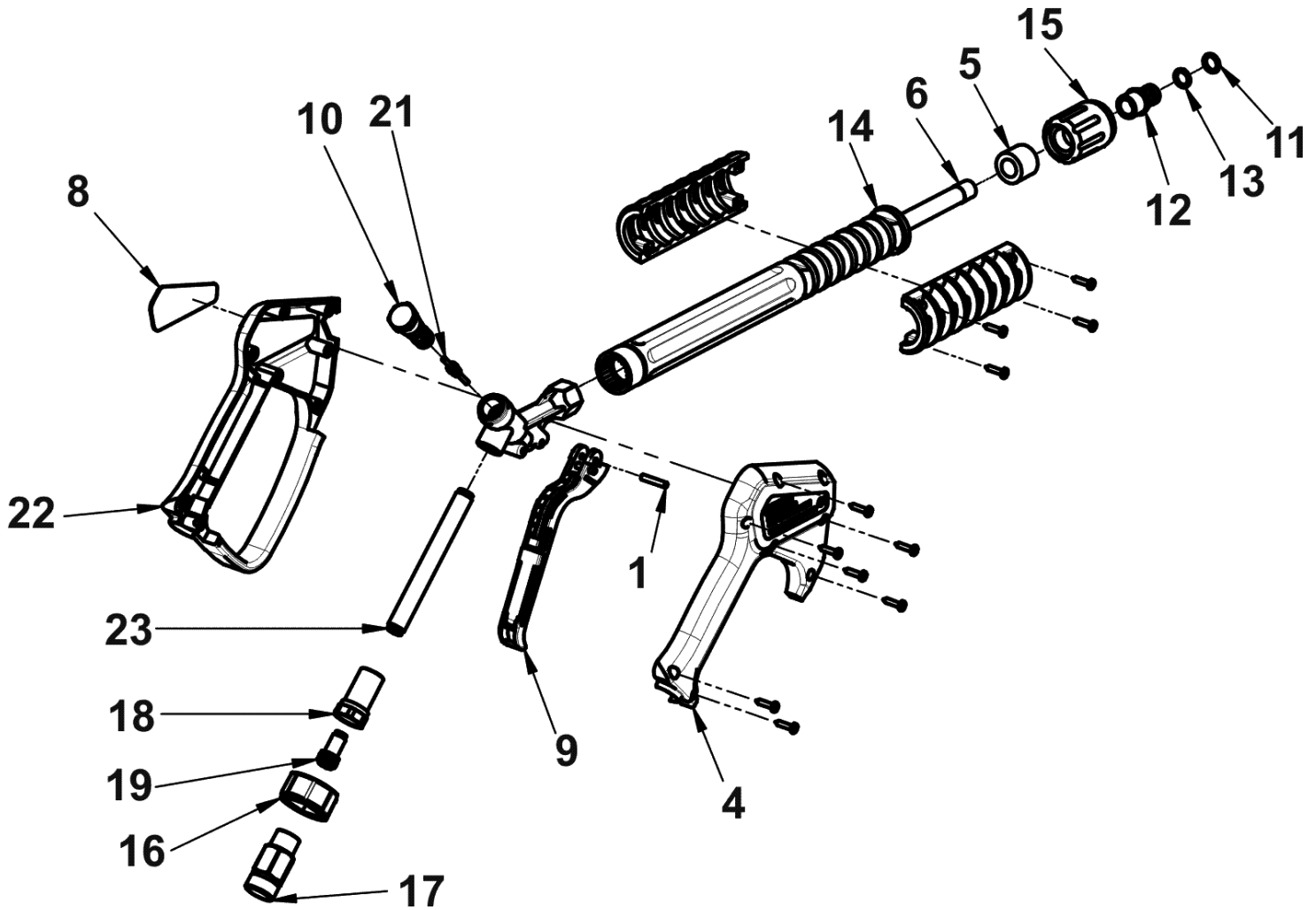
| Ref. K | Part N. | Customer Part N. | Description | Qty | Validity: | | Price |
|--------|-----------|------------------|--------------------------------------|------|-----------|---------|-------|
| | | | | | From | To | |
| 0001 | GUGO11214 | | JOINT FLL | 1,00 | | 05/2007 | -- |
| 0001 | GUGO40003 | | JOINT CB4 | 1,00 | 05/2007 | | -- |
| 0002 | LAFN44325 | | COQUILLE CB4 -P105 | 1,00 | | 05/2007 | -- |
| 0002 | MPVR40010 | | COQUILLE CB4 -2PZ.CP | 1,00 | 05/2007 | | -- |
| 0003 | VEVR34275 | | HELICE D.160-80 D.12.7 36P B.SX | 1,00 | | | -- |
| 0004 | LAFN10272 | | PLAQUE P.MOTEURCB 3 | 1,00 | | | -- |
| 0005 | MOMB34119 | | MOTEUR BRULEUR 230-50 IP44 150W A.OR | 1,00 | | | -- |
| 0006 | KTRI36516 | | KIT P 18- 9 | 1,00 | | | -- |
| 0007 | FTCO88927 | | FILTRE FUEL S.AL | 1,00 | 01/2005 | | -- |
| 0007 | PPGS27370 | | POMPE FUEL DLT VM1LR25 | 1,00 | | 12/2004 | -- |
| 0007 | PPGS88592 | | POMPE FUEL DLT ALLUM. A1L2 | 1,00 | 01/2005 | | -- |
| 0008 | VTRS04931 | | RONDELLE COPPER D.13X19X1.5 | 2,00 | | | -- |
| 0009 | RCDS00626 | | RACC. P. TUYAU 1/4 M D. 5- 7 | 2,00 | | | -- |
| 0010 | FSVR00427 | | COLLIER D. 12 CLIC 66-110 | 4,00 | | | -- |
| 0011 | RCVR08954 | | COUDE 1/8"-4 B5 | 1,00 | | | -- |
| 0012 | TBCO45038 | | TUYAU GASOIL P105 40MT D. 4 | 1,00 | | | -- |
| 0013 | TBCO06945 | | TUYAU B.P. D. 6-12 10BAR | 0,41 | | | -- |
| 0013 | TBCO06945 | | TUYAU B.P. D. 6-12 10BAR | 0,41 | | | -- |
| 0014 | MECB18118 | | CABLE DLT L=1.600 | 1,00 | | | -- |
| 0015 | FSVR11197 | | COLLIER D.I. 11 13315 | 2,00 | | | -- |
| 0016 | FTCO34840 | | FILTRE FUEL FB 7/A NYL. | 1,00 | | | -- |
| 0017 | TBBP34456 | | TUYAU B.P. L= 180 1/4OC.-LIB. | 1,00 | | | -- |
| 0018 | RCDS02612 | | VIS CREUSE G 1/4 A.P. | 2,00 | | | -- |
| 0019 | RCVR02607 | | REDUCTION 3/8-1/4 M/F | 1,00 | 02/2002 | | -- |
| 0019 | RCVR38072 | | REDUCTION 3/8-1/4 M/F A4/Z SKD.F | 1,00 | 02/2002 | | -- |
| 0019 | RCVR02607 | | REDUCTION 3/8-1/4 M/F | 2,00 | | 02/2002 | -- |
| 0020 | FTCO30578 | | FILTRE FUEL 3/8 0.1-SP | 1,00 | | | -- |
| 0021 | TBBP44517 | | TUYAU B.P. L= 750 1/4OC.-LIB. 6X12 | 1,00 | | | -- |
| 0022 | RCDS20136 | | TIRANT L= 355 C. | 2,00 | | 01/2002 | -- |
| 0022 | RCDS46247 | | TIRANT L=210 CPL | 1,00 | 01/2002 | | -- |
| 0022 | RCDS20137 | | CORPS SUCTION KSM | 1,00 | 01/2002 | | -- |
| 0023 | VTRS12821 | | RONDELLE D.14X18,7X1,25 1/4 GM | 4,00 | | | -- |



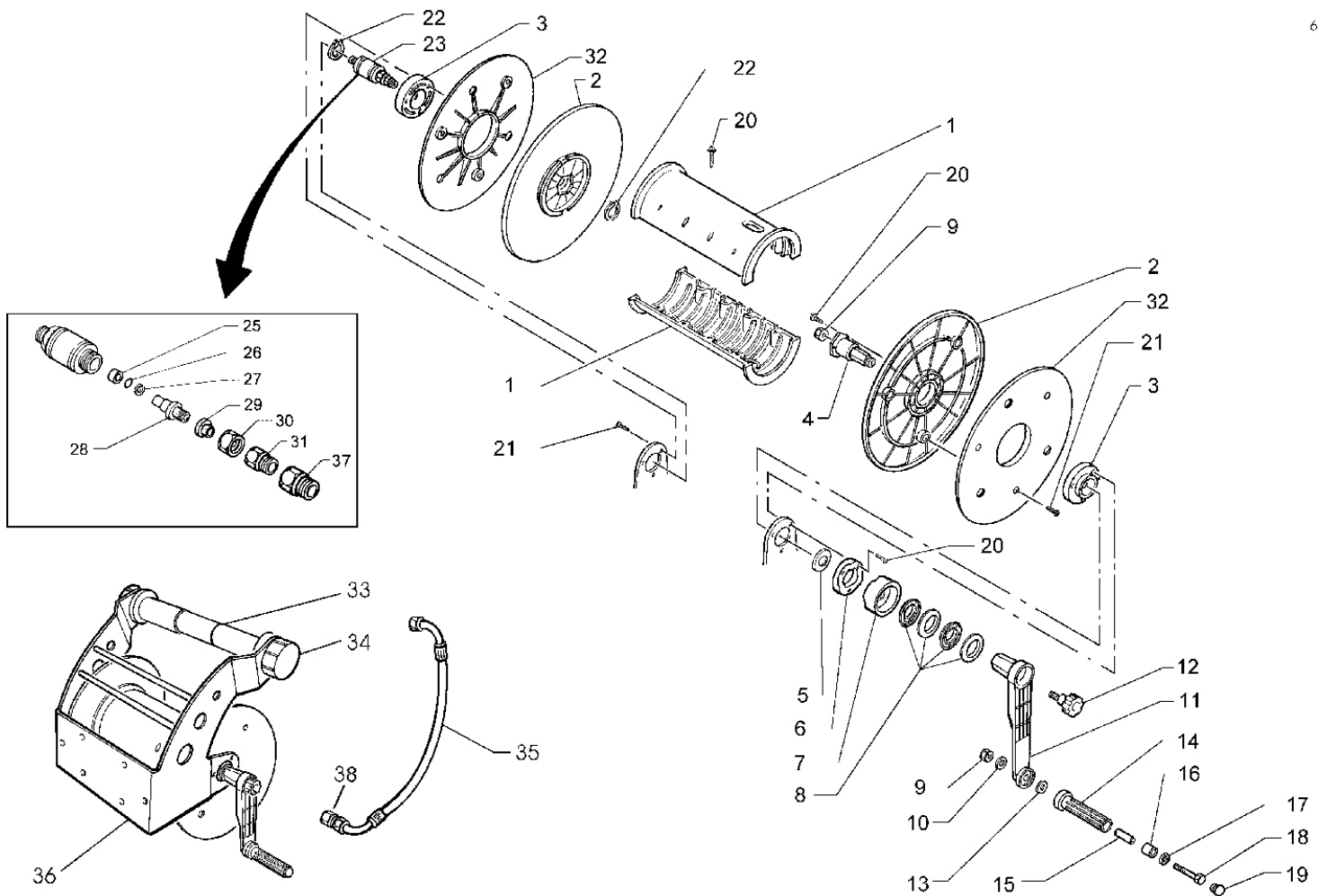
| Ref. | K | Part N. | Customer Part N. | Description | Qty | Validity: | | Price |
|------|-----------|---------|------------------|--|------|-----------|---------|-------|
| | | | | | | From | To | |
| K | METT24415 | | | TELERUPTEUR SIE 3TF 4210 OAC2- 24V | 1,00 | | 10/2001 | -- |
| K | METT41888 | | | CONTACT SIE N.A. 3RH19 21-1EA11 | 1,00 | 10/2001 | | -- |
| K | METT45022 | | | TELERUPTEUR SIE 3RT 1025 1AC20 24V | 1,00 | 10/2001 | | -- |
| P | MEPF39902 | | | PRESSOSTAT MTM 1/4M NA/NC 25B. MICRO | 1,00 | | | -- |
| T | METY33753 | | | MINUTEUR 3 S. MST 24V | 1,00 | | 08/2005 | -- |
| EC | MECE40708 | | | PLATINE MISTRAL PR.II T-ST/MP/LIV | 1,00 | | 02/2002 | -- |
| EC | MECE45448 | | | PLATINE P105 T-ST/MP/LIV. STOP30' | 1,00 | 02/2002 | 08/2005 | -- |
| EC | MECE89083 | | | PLATINE P105 T-ST/MP/LIV. S30'+3" | 1,00 | 09/2005 | | -- |
| EV | MEBE22173 | | | BOBINE DLT 24-50 | 1,00 | | 12/2004 | -- |
| EV | MEBE48504 | | | BOBINE DLT 24-50 NF84 | 1,00 | 01/2005 | | -- |
| F1 | MEVR09010 | | | FUSIBLE 5X20 0,5A | 1,00 | | | -- |
| F2 | MEVR00237 | | | FUSIBLE 5X20 3,15A | 1,00 | | | -- |
| F3 | MEVR02824 | | | FUSIBLE 5X20 1A | 1,00 | | | -- |
| G1 | MECI34444 | | | INTERRUPTEUR REED N.C.H185 L=1300 | 1,00 | | 04/2007 | -- |
| G1 | MECI40001 | | | INTERRUPTEUR REED N.A.H215 FST+OR | 1,00 | 04/2007 | | -- |
| G2 | MECI46804 | | | SENSEUR NIVEAU S1.PML.M16 +KIT GU/DA-FST | 1,00 | 07/2002 | 10/2002 | -- |
| G2 | MECI46804 | | | SENSEUR NIVEAU S1.PML.M16 +KIT GU/DA-FST | 1,00 | 10/2002 | 02/2005 | -- |
| G2 | MECI49945 | | | SENSEUR NIVEAU S1.PML.15NO-FST +G.1/2 | 1,00 | 03/2005 | | -- |
| IG | MECI40544 | | | COMMUTATEUR 0-1-2 HD12H022-R000 | 1,00 | | | -- |
| LC | MECE34831 | | | FILTRE LC F.AH.DA.3100ZF 6.5A | 1,00 | | | -- |
| PA | MEPD25575 | | | POMPE DOSEUSE NME-1 24V CPL. | 1,00 | | 10/2002 | -- |
| PA | MEPD45940 | | | POMPE DOSEUSE NME 1 24V 50/60HZ | 1,00 | 10/2002 | | -- |
| RT | METT24504 | | | RELAIS THERM. SIE 3UA5200-2C 16 -25 A | 1,00 | | 10/2001 | -- |
| RT | METT45034 | | | RELAIS THERM. SIE 3RU1126-4BB0 14-20 A | 1,00 | 10/2001 | | -- |
| S1 | MEPF39741 | | | PRESSOSTAT MTM 1/8M NA/NC 25B. MICRO | 1,00 | | | -- |
| S2 | MEPF45229 | | | PRESSOSTAT MTM 3/8M NA/NC 25B. MICRO | 1,00 | | | -- |
| TA | METR34464 | | | TRANSFORMATEUR 230V-50HZ 2X4000V SP4 CM | 1,00 | | | -- |
| TH | METK19354 | | | THERMOSTAT 0-150° L=1200 | 1,00 | | | -- |
| TR | METR11977 | | | TRANSFORMATEUR 35VA 230-400/24 50/60HZ | 1,00 | | | -- |
| TS | METK34839 | | | THERMOSTAT 50°C TR/711-N C.1.5 | 1,00 | | | -- |
| CV1 | MECB17414 | | | CABLE H07 RNF 4X2.5 L=6.500 | 1,00 | | | -- |



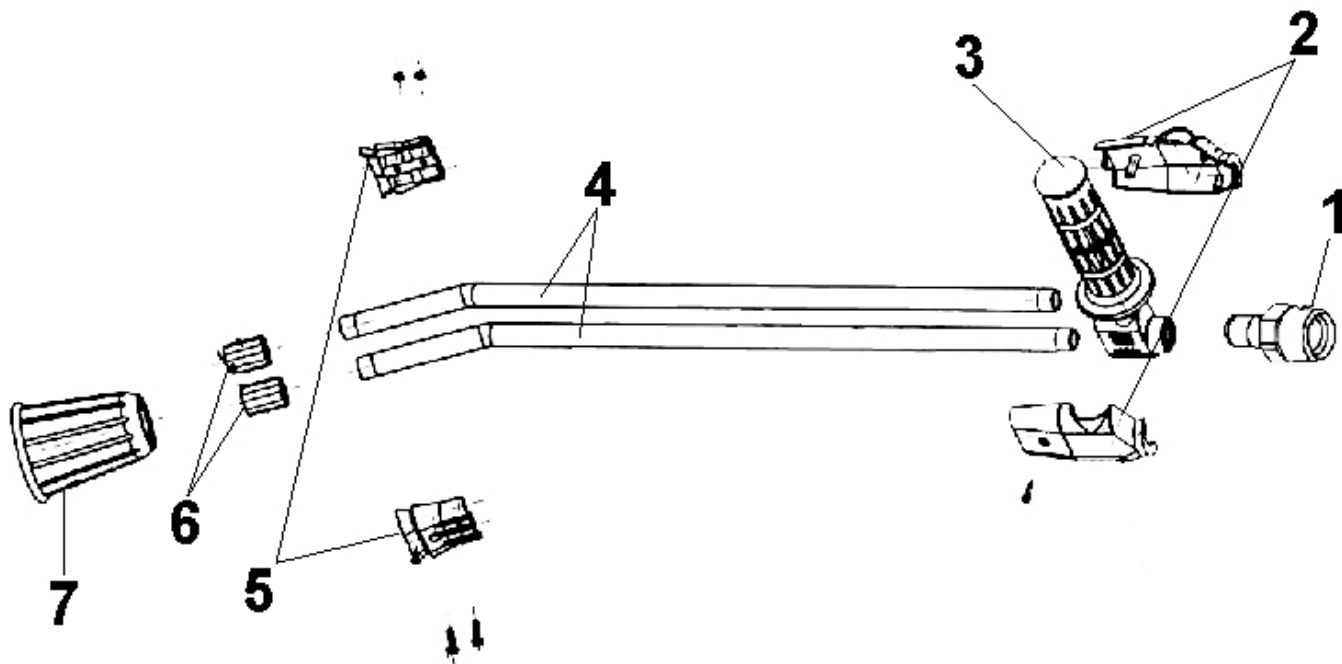
| Ref. K | Part N. | Customer Part N. | Description | Qty | Validity: | | Price |
|--------|-----------|------------------|------------------------|------|-----------|----|-------|
| | | | | | From | To | |
| 0001 | PVVR08141 | | COQUE ST 2000 | 1,00 | | | -- |
| 0002 | PVVR08142 | | COUVERCLE ST 2000 | 1,00 | | | -- |
| 0003 | KTRI10689 | | KIT P 26- 1 | 1,00 | | | -- |
| 0004 | RCDS08145 | | BOUCHON G 1/8" OT | 1,00 | | | -- |
| 0005 | PVVR08146 | | CORPS DE LAITONST 2000 | 1,00 | | | -- |
| 0006 | VTVT28553 | | VIS TCB-TC 3.5X16 | 2,00 | | | -- |
| 0007 | PVVR29763 | | TUYAU G 1/4" +RCC 3/8" | 1,00 | | | -- |
| 0008 | PVVR08147 | | RACCORD 1/4 ST 2000 | 1,00 | | | -- |
| 0009 | PVVR08149 | | PIVOT ST 2000 | 1,00 | | | -- |
| 0010 | PVVR08143 | | LEVIER CONTROLE | 1,00 | | | -- |



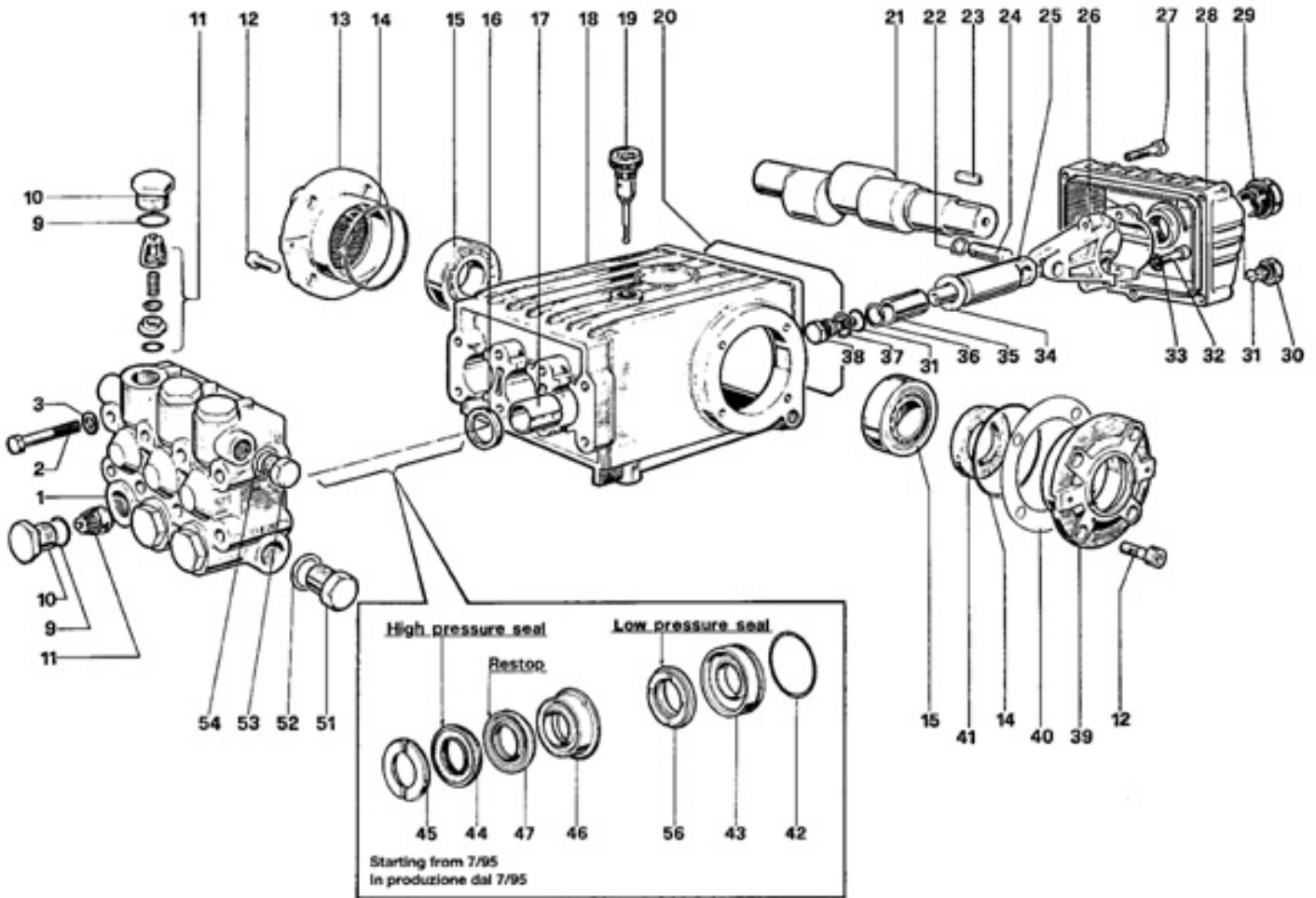
| Ref. K | Part N. | Customer Part N. | Description | Qty | Validity: | | Price |
|--------|-----------|------------------|---------------------------------|------|-----------|----|-------|
| | | | | | From | To | |
| 0001 | VTVR46568 | | GOUPILLE G 4500 | 1,00 | | | -- |
| 0004 | MPVR46563 | | COUVERCLE G 4500 | 1,00 | | | -- |
| 0005 | MPVR46572 | | ENTRETOISE P 330 ST | 1,00 | | | -- |
| 0006 | LCPR46571 | | TUYAU 1/4 L=352 ZC. | 1,00 | | | -- |
| 0008 | MPVR46569 | | PLAQUE G 4500 RD. | 1,00 | | | -- |
| 0009 | MPVR40057 | | GACHETTE G 4500 -SW | 1,00 | | | -- |
| 0010 | PVVR40030 | | PETIT PISTON TM ST-2300 | 1,00 | | | -- |
| 0011 | GUGO10384 | | O-RING D. 10 X 2.2 VIT 80SH | 1,00 | | | -- |
| 0012 | RCVR13030 | | CHEVILLE-GOUJONG 1/4 F L=31.5 | 1,00 | | | -- |
| 0013 | GUVR10526 | | BAGUE ANTIEXTR.D.13.9X10.2 C.BZ | 1,00 | | | -- |
| 0014 | MPVR46570 | | PROTECTION P 330 ST | 1,00 | | | -- |
| 0015 | PVVR13445 | | RONDELLE M 22X1,5 L=45 | 1,00 | | | -- |
| 0016 | MPVR40058 | | FRETTE G4500 SW. | 1,00 | | | -- |
| 0017 | RCIN40001 | | BRANCHEMENT SWIV 4500 3/8"F | 1,00 | | | -- |
| 0018 | RCIN31641 | | RACCORD SWIV 1500 F | 1,00 | | | -- |
| 0019 | KTRI31645 | | KIT P 26- 14 | 1,00 | | | -- |
| 0021 | PVVR40031 | | TIGE ST-2300 | 1,00 | | | -- |
| 0022 | MPVR46562 | | COQUILLE G 4500 | 1,00 | | | -- |
| 0023 | PVVR40023 | | TUYAU G 1/4" M/M P/SW. | 1,00 | | | -- |



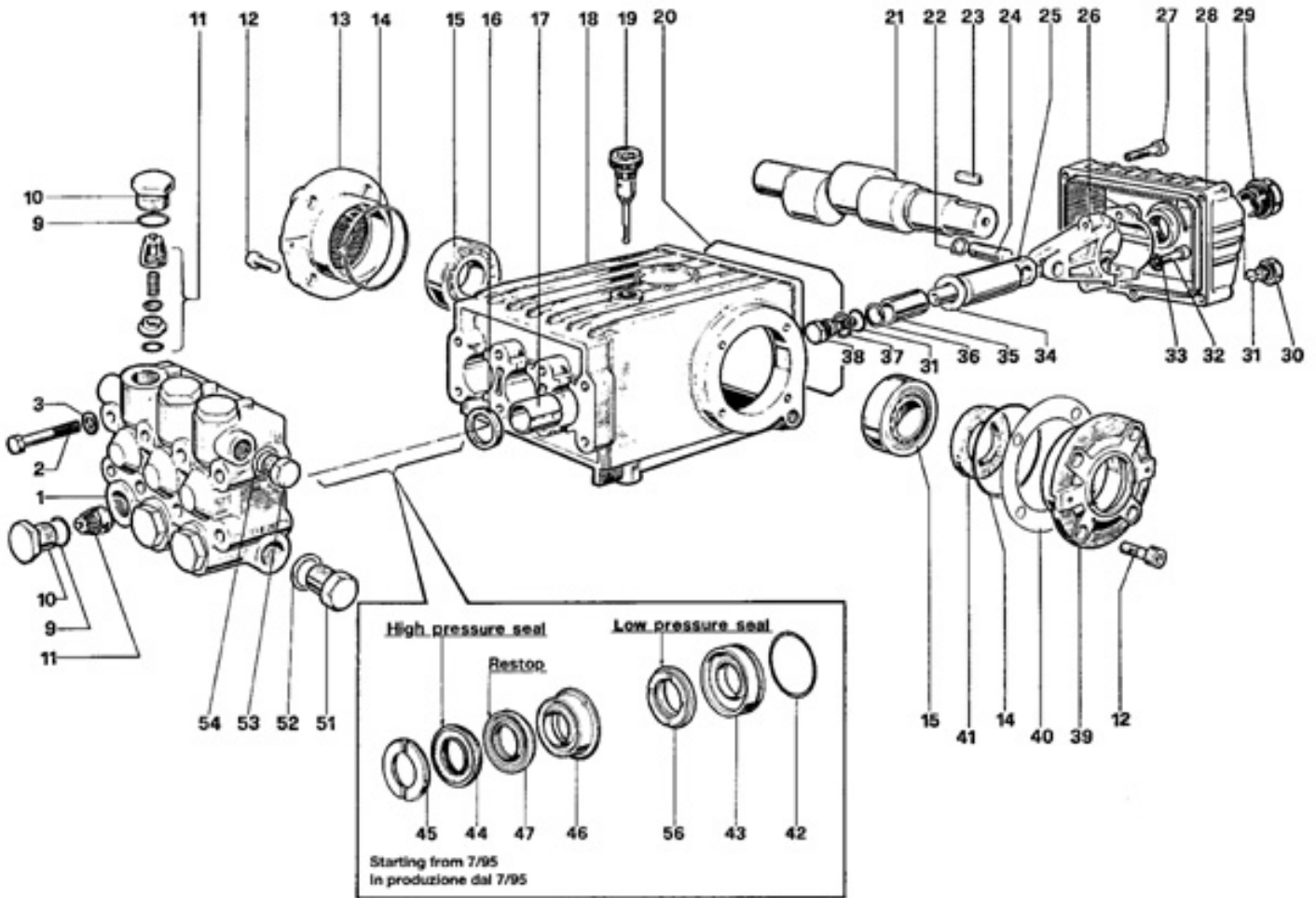
| Ref. | K | Part N. | Customer Part N. | Description | Qty | Validity: From | To | Price |
|------|---|-----------|------------------|---------------------------------------|-------|-------------------|---------|-------|
| 0001 | | MPVR74144 | | DEMI-COQUE ROLLER 20 | 2,00 | | | -- |
| 0002 | | MPVR74140 | | DISQUE ROLLER 20/40 | 2,00 | | | -- |
| 0003 | | MPVR77565 | | BAGUE ROLLER 20/40 | 2,00 | | | -- |
| 0004 | | FGGT74143 | | JOINT ROLLER 20/40 | 1,00 | | | -- |
| 0005 | | MPVR77567 | | BAGUE ROLLER | 1,00 | | | -- |
| 0006 | | MPVR77568 | | BAGUE ROLLER | 1,00 | | | -- |
| 0007 | | MPVR77569 | | BAGUE ROLLER | 1,00 | | | -- |
| 0008 | | KTRI76783 | | KIT S ROLLER 20-40 | 1,00 | | | -- |
| 0009 | | VTDD00483 | | ECROU M 8 ZIN UNI 5588 | 2,00 | 09/2003 | | -- |
| 0009 | | VTDD10776 | | ECROU M 8 X1 UNI 5588 | 2,00 | | 09/2003 | -- |
| 0010 | | VTRS05705 | | RONDELLE D.8 X 24 | 1,00 | | | -- |
| 0011 | | MPVR74142 | | LEVIER ROLLER 20/40 | 1,00 | | | -- |
| 0012 | | VTVR74163 | | PETIT VOLANT VAL-PA M 8 X 30 | 1,00 | | | -- |
| 0013 | | VTRS00505 | | RONDELLE D.10 TE UNI 6592 | 1,00 | | | -- |
| 0014 | | MPVR74792 | | POIGNEE | 1,00 | | | -- |
| 0015 | | RCVR74200 | | MANCHON ROLLER 20/40 | 1,00 | | | -- |
| 0016 | | MPVR77566 | | DOUILLE ROLLER 20/40 | 1,00 | | | -- |
| 0017 | | VTRS00504 | | RONDELLE D. 8 TE ZC. UNI 6592 | 1,00 | | | -- |
| 0018 | | VTVT00453 | | VIS TE 8X60 UNI5739 | 1,00 | | | -- |
| 0019 | | MPVR37542 | | CAOUTCHOUC D.E.25 -L.27 70-80SH | 1,00 | | | -- |
| 0020 | | VTVT85143 | | VIS AF 4X 16 UNI 6954-71 ZN.N | 12,00 | | | -- |
| 0021 | | VTVT01520 | | VIS AB 4,2X 9,5 UNI 6954-71 | 9,00 | | | -- |
| 0022 | | VTAE31890 | | BAGUE D'ARRET D. 35 UNI 7435 | 2,00 | | | -- |
| 0023 | | RCIN75339 | | JOINT ROTATIF ROLLER | 1,00 | | | -- |
| 0025 | | LAFN74740 | | DOUILLE | 1,00 | | | -- |
| 0026 | | GUGO38710 | | O-RING D. 9.3 X 2.4 VIT 70SH | 1,00 | | | -- |
| 0027 | | GUVR72923 | | BAGUE ANTIEXTR.13,9X 10,2 | 1,00 | | | -- |
| 0028 | | LAFN74737 | | PIVOT | 1,00 | | | -- |
| 0029 | | RCVR74739 | | ENTRETOISE | 1,00 | | | -- |
| 0030 | | RCDS74738 | | FRETTE M22x1 | 1,00 | | | -- |
| 0031 | | RCIN74742 | | RACCORD G 3/8M | 1,00 | | | -- |
| 0032 | | MPVR74150 | | DISQUE ROLLER 20/40 RD. | 2,00 | | | -- |
| 0033 | | MPVR74138 | | POIGNEE SHARK | 1,00 | | | -- |
| 0034 | | MPVR40573 | | BOUCHON BAC MHDS-SK | 2,00 | | | -- |
| 0035 | | TBAP75441 | | TUYAU D.JONCT. 3/ 8 L=665 R2 3/8F 90° | 1,00 | | | -- |
| 0036 | | LAFN85235 | | SUPP.ENROULEUR ADMIRAL | 1,00 | | | -- |
| 0037 | | RCIN03753 | | RACCORD MALE M22-3/8 M-FA | 1,00 | | | -- |
| 0038 | | RCIN03755 | | RACC. FEMELLE 3/8MB | 1,00 | | | -- |



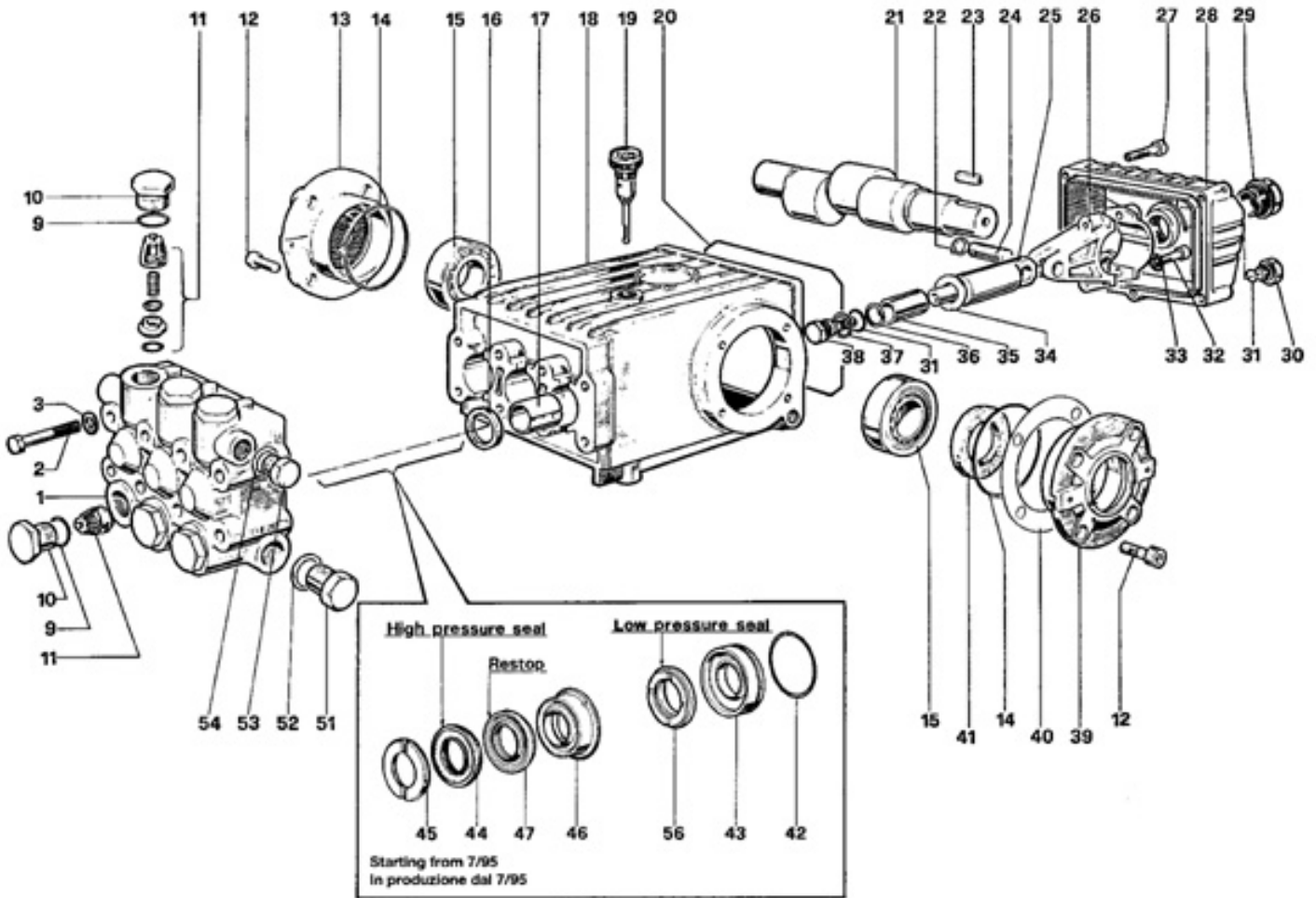
| Ref. K | Part N. | Customer Part N. | Description | Qty | Validity: | | Price |
|--------|-----------|------------------|--------------------------|------|-----------|----|-------|
| | | | | | From | To | |
| 0001 | PVVR45296 | | RACCORD G 1/4M -M22 M | 1,00 | | | -- |
| 0002 | MPVR45214 | | PROTECTION TB.1/4 MTM | 1,00 | | | -- |
| 0003 | RCGR45737 | | ROBINET 1/4 F LD MTM | 1,00 | | | -- |
| 0004 | LCPR45740 | | TUYAU 1/8 L=660 INOX MTM | 2,00 | | | -- |
| 0005 | MPVR45001 | | COQUILLE LD MTM | 1,00 | | | -- |
| 0006 | RCVR45741 | | PORTE BUSE 1/4-1/8 F MTM | 2,00 | | | -- |
| 0007 | PVVR43810 | | PROTECTION L.D. MTM | 1,00 | | | -- |



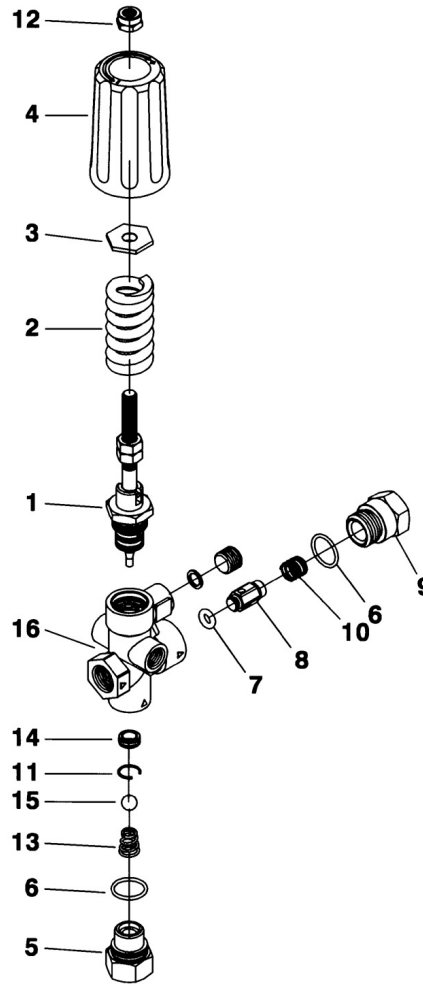
| Ref. | K | Part N. | Customer Part N. | Description | Qty | Validity: From To | Price |
|------|---|-----------|------------------|------------------------------------|------|----------------------|-------|
| 0001 | | MFVR01097 | | CULASSE W 151 | 1,00 | | -- |
| 0002 | | VTVT01111 | | VIS TE M 8X70 UNI 5737 | 8,00 | | -- |
| 0003 | | VTRS01072 | | RONDELLE D. 8 TC | 8,00 | | -- |
| 0009 | S | GUGO01033 | | O-RING D. 20.24 X 2.62 NBR 90SH | 6,00 | | -- |
| 0010 | S | RCDS01087 | | BOUCHON M24X2X16 OTT | 6,00 | | -- |
| 0011 | S | VVAM01104 | | ENSEMBL. CLAPETW 70-151 | 6,00 | | -- |
| 0012 | | VTVT01118 | | VIS TCEI M 8X16 ZC. UNI 5931 | 8,00 | | -- |
| 0013 | | MFVR03576 | | COUVERCLE CART.W151 | 1,00 | | -- |
| 0014 | | GUGO01041 | | O-RING D. 67.95 X 2.62 NBR 70SH | 2,00 | | -- |
| 0015 | | CUVR09205 | | ROULEM.A ROUL. 32206 A | 2,00 | | -- |
| 0016 | S | GUGO01000 | | JOINT SPI 22X 32X 5.5 NBR70 | 3,00 | | -- |
| 0017 | | PVVR01011 | | DOUILLE W 151 | 3,00 | | -- |
| 0018 | | MFVR01013 | | CARTER POMPE W 151 | 1,00 | | -- |
| 0019 | | PVVR01092 | | JAUGE D'HUILE W 151 | 1,00 | | -- |
| 0020 | | GUGO34590 | | O-RING D. 133.02 X 2.62 NBR 70SH | 1,00 | | -- |
| 0021 | | ALMO06514 | | ARBRE WS202 | 1,00 | | -- |
| 0022 | | VTAE14016 | | BAGUE D'ARRET D. 12 UNI 7435 | 6,00 | | -- |
| 0023 | | VTVR01031 | | CLAVETTE 8X7X25 UNI6604 | 1,00 | | -- |
| 0024 | | PVVR01085 | | CHEVILLE-GOUJOND.13X35 W151 | 3,00 | | -- |
| 0025 | | PVVR01029 | | TIGE DE PISTON W 151 | 3,00 | | -- |
| 0026 | | BLVR01009 | | BIELLE W 151 | 3,00 | | -- |
| 0027 | | VTVT01116 | | VIS TCEI 6X30 UNI5931 | 5,00 | | -- |
| 0028 | | MFVR03582 | | COUVERCLE CART.W 151 POS | 1,00 | | -- |
| 0029 | | PVVR01083 | | VOYANT HUILE G 3/4 W70-151 | 1,00 | | -- |
| 0030 | | RCDS01088 | | BOUCHON 1/4X 9 M WW90 | 1,00 | | -- |
| 0031 | S | GUGO01036 | | O-RING D. 10.82 X 1.78 NBR 70SH | 4,00 | | -- |
| 0032 | | VTVT01120 | | VIS TCEI 8X35 UNI5931 | 6,00 | | -- |
| 0033 | | VTRS14242 | | RONDELLE D. 8.4X13X0.8 UNI7064 SCH | 6,00 | | -- |
| 0034 | S | VTRS01753 | | RONDELLE D.14X28 X0,5 | 3,00 | | -- |
| 0035 | | PIVR01066 | | PISTON D.20X50 W 151 | 3,00 | | -- |
| 0036 | S | GUVR00994 | | BAGUE ANTIEXTR.W151 | 3,00 | | -- |
| 0037 | S | VTRS01076 | | RONDELLE D.14X18,5X0,5 | 3,00 | | -- |
| 0038 | S | PVVR01107 | | VIS PISTON IP W151 | 3,00 | | -- |
| 0039 | | MFVR03583 | | COUVERCLE CART.W151 | 1,00 | | -- |
| 0040 | | PVVR01016 | | EPAISSEUR 0,1 W 151 | 2,00 | | -- |
| 0041 | S | GUGO01003 | | JOINT SPI 30X 55X 7 NBR70 | 1,00 | | -- |
| 0042 | S | GUGO01042 | | O-RING D. 34.6 X 1.78 NBR 70SH | 3,00 | | -- |
| 0043 | S | PVVR00977 | | BAGUE P.GARNIT.W151 | 3,00 | | -- |
| 0044 | S | GUVR00981 | | BAGUE D'ETANCH.W151 | 3,00 | | -- |



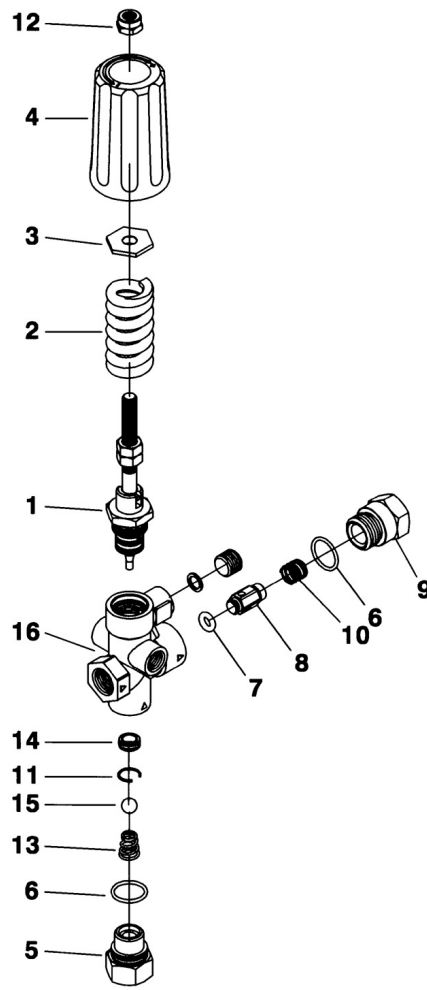
| Ref. | K | Part N. | Customer Part N. | Description | Qty | Validity: | | Price |
|------|---|-----------|------------------|-----------------------------|------|-----------|----|-------|
| | | | | | | From | To | |
| 0045 | S | PVVR00985 | | BAGUE DE TETE W151 | 3,00 | | | -- |
| 0046 | S | PVVR34589 | | BAGUE INTERMED.W 151 D. 20 | 3,00 | | | -- |
| 0047 | S | GUVR34587 | | BAGUE D'ETANCH.D. 20 RESTOP | 3,00 | | | -- |
| 0051 | | RCDS01091 | | BOUCHON 1/2X10 M | 1,00 | | | -- |
| 0052 | | VTRS01075 | | RONDELLE D.21,5X27 ALL | 1,00 | | | -- |
| 0053 | | RCDS01090 | | BOUCHON 3/8X13 M WW90 | 1,00 | | | -- |
| 0054 | | VTRS01074 | | RONDELLE D.17,05X22,3 X1,5 | 1,00 | | | -- |
| 0056 | S | GUVR34585 | | BAGUE D'ETANCH.W 151 L.P. | 3,00 | | | -- |



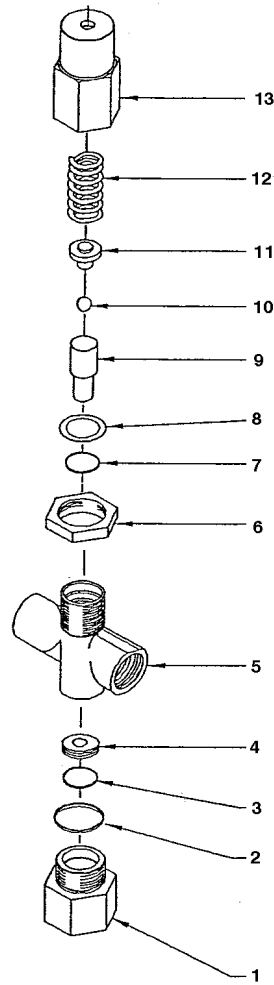
| Ref. Part N. | Cust. Part N. | Description | Reference | Price |
|--------------|---------------|-------------|------------------------------------|-------|
| KTRI14900 | KIT P | 15- 3 | 0041 | -- |
| KTRI14901 | KIT P | 10 | 0042 0043 | -- |
| KTRI17793 | KIT P | 6 | 0031 0034 0036 0037 0038 | -- |
| KTRI17795 | KIT P | 4 | 0009 0010 | -- |
| KTRI17859 | KIT P | 1 | 0011 | -- |
| KTRI17860 | KIT P | 2 | 0016 | -- |
| KTRI18574 | KIT P | 7 | 0045 | -- |
| KTRI18579 | KIT P | 28 | 0042 0043 0044 0045 0046 0047 0056 | -- |



| Ref. K | Part N. | Customer Part N. | Description | Qty | Validity: | | Price |
|--------|-------------|------------------|---------------------------------|------|-----------|----|-------|
| | | | | | From | To | |
| 0001 | PVVR46049 | | RACCORD MV 550 CP. | 1,00 | | | -- |
| 0002 | MLML46050 | | RESSORT 250 BAR | 1,00 | | | -- |
| 0003 | PVVR46051 | | PLAT MV 550 | 1,00 | | | -- |
| 0004 | PVVR60860 | | POIGNEE MV 550 | 1,00 | | | -- |
| 0005 | PVVR46052 | | RACCORD MV 550 | 1,00 | | | -- |
| 0006 | S GUGO01058 | | O-RING D. 17.17 X 1.78 NBR 70SH | 2,00 | | | -- |
| 0007 | S GUGO46053 | | O-RING D. 6 X 3 NBR 90SH | 1,00 | | | -- |
| 0008 | S PVVR46054 | | AIGUILLE MV 550 | 1,00 | | | -- |
| 0009 | PVVR46055 | | RACCORD MV 550 | 1,00 | | | -- |
| 0010 | S MLML46056 | | RESSORT D. 6 X11.5X0.8 | 1,00 | | | -- |
| 0011 | S PVVR46057 | | BAGUE D'ARRET MV 550 | 1,00 | | | -- |
| 0012 | VTDD00492 | | ECROU M 8 ZINC | 1,00 | | | -- |
| 0013 | S MLML46058 | | RESSORT D. 6.5-11.8 | 1,00 | | | -- |
| 0014 | S PVVR46059 | | SIEGE BILLE D.7 MV 550 + OR | 1,00 | | | -- |
| 0015 | S SFVR06779 | | BILLE INOX 11/32 | 1,00 | | | -- |
| 0016 | PVVR46060 | | CORPS VALVE MV 550 | 1,00 | | | -- |



| Ref. Part N. | Cust. Part N. | Description | Reference | Price |
|--------------|---------------|--------------|--------------------------|-------|
| KTRI46064 | | KIT P 14- 54 | 0006 0007 0010 0013 0015 | -- |
| KTRI46065 | | KIT P 14- 55 | 0011 0014 | -- |



| Ref. K | Part N. | Customer Part N. | Description | Qty | Validity: | | Price |
|--------|-----------|------------------|--------------------------------|------|-----------|----|-------|
| | | | | | From | To | |
| 0001 | RCVR61105 | | RACCORD VS 220 | 1,00 | | | -- |
| 0002 | GUGO03505 | | O-RING D. 15.6 X 1.78 NBR 70SH | 1,00 | | | -- |
| 0003 | GUGO10800 | | O-RING D. 10 X 1 NBR 70SH | 1,00 | | | -- |
| 0004 | PVVR61091 | | SIEGE SOUPAPE 4,5X12X4 MM | 1,00 | | | -- |
| 0005 | PVVR61073 | | CORPS VALVE VS 220 | 1,00 | | | -- |
| 0006 | VTDD33553 | | CONTRE-ECROU M 24 | 1,00 | | | -- |
| 0007 | GUGO63424 | | O-RING D. 7.66 | 1,00 | | | -- |
| 0008 | GUVR11936 | | BAGUE ANTIEXTR.D. 8 X11 PA | 1,00 | | | -- |
| 0009 | PVVR33551 | | PISTON PA | 1,00 | | | -- |
| 0010 | SFVR61110 | | BILLE VS 220 | 1,00 | | | -- |
| 0011 | PVVR61099 | | SUPPORT VS 220 | 1,00 | | | -- |
| 0012 | MLML61052 | | RESSORT 170 B. VS 220 | 1,00 | | | -- |
| 0013 | PVVR61080 | | MANCHON VS 220 | 1,00 | | | -- |