

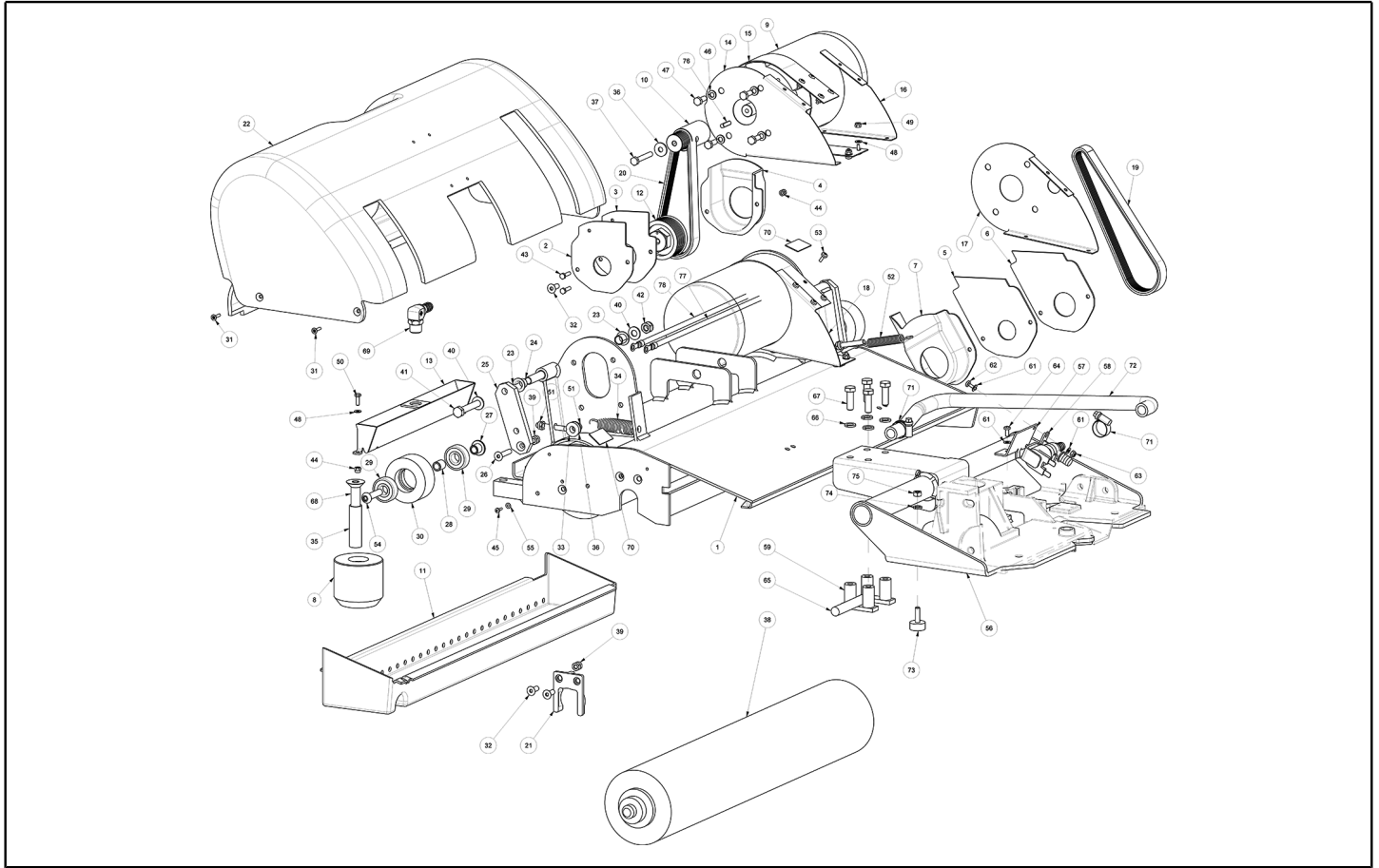


IPC

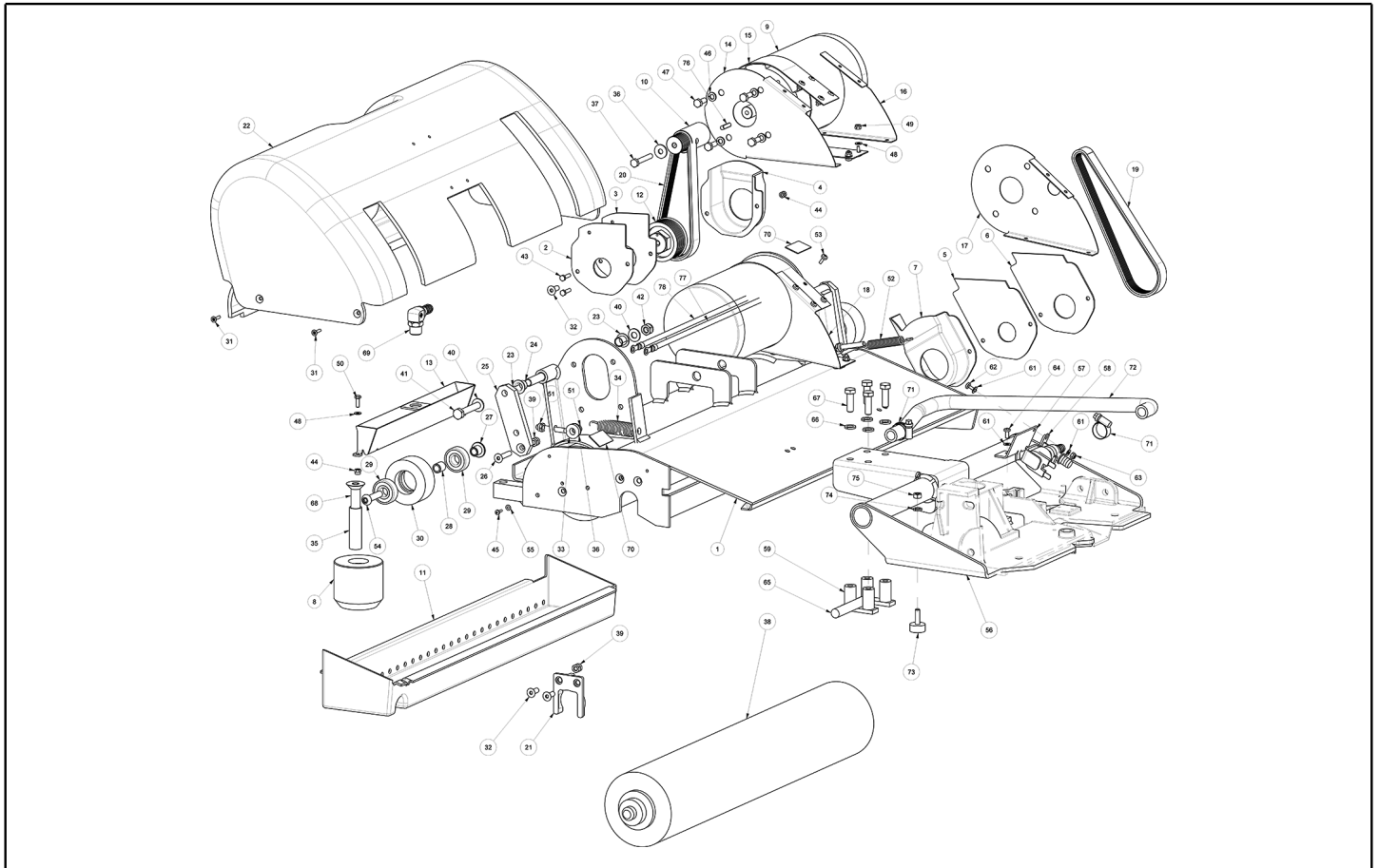
Spare Parts List

Ref: LPTB99001

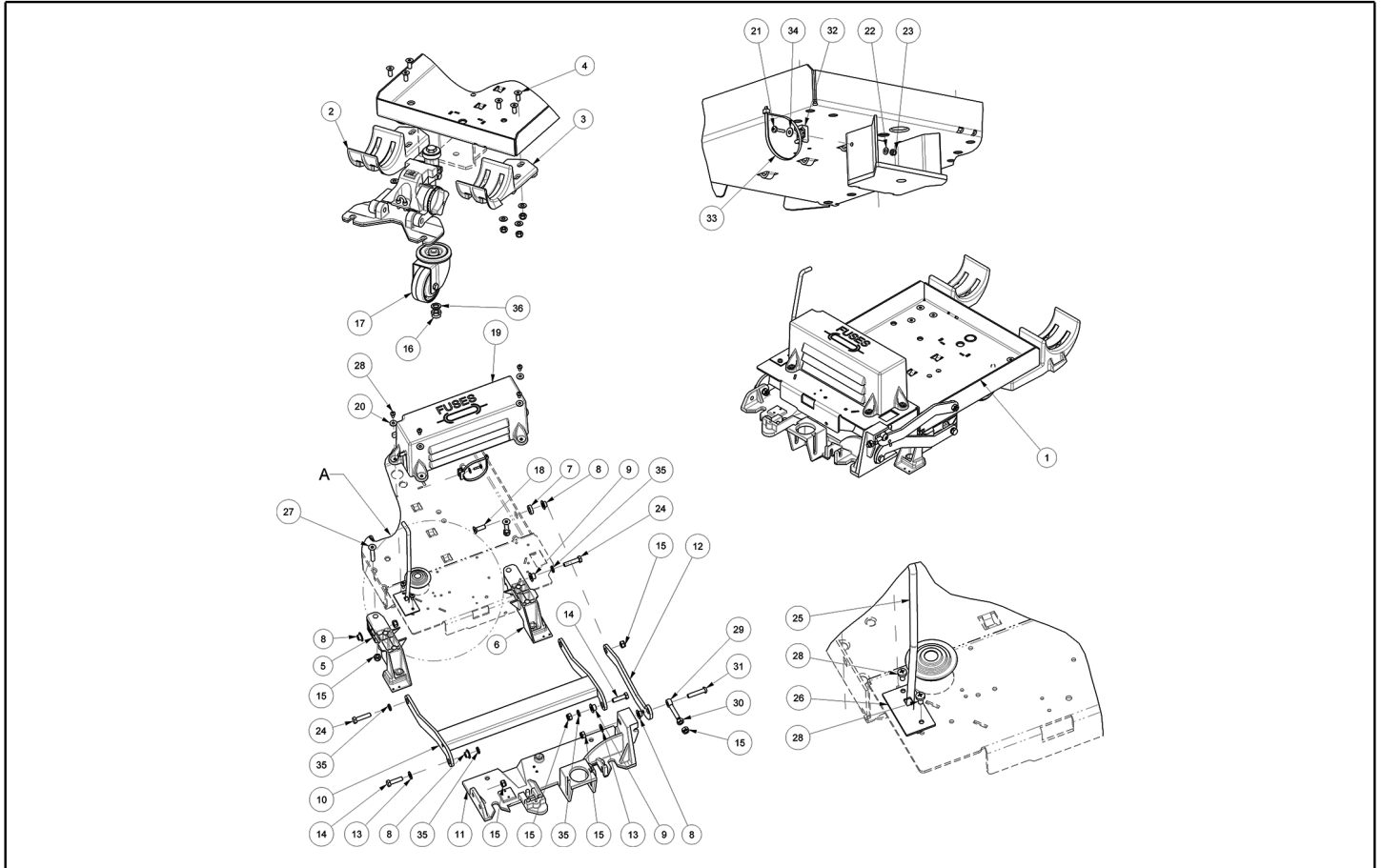
Model: LAVEUSE P.SOLS CT51 XP55R VE



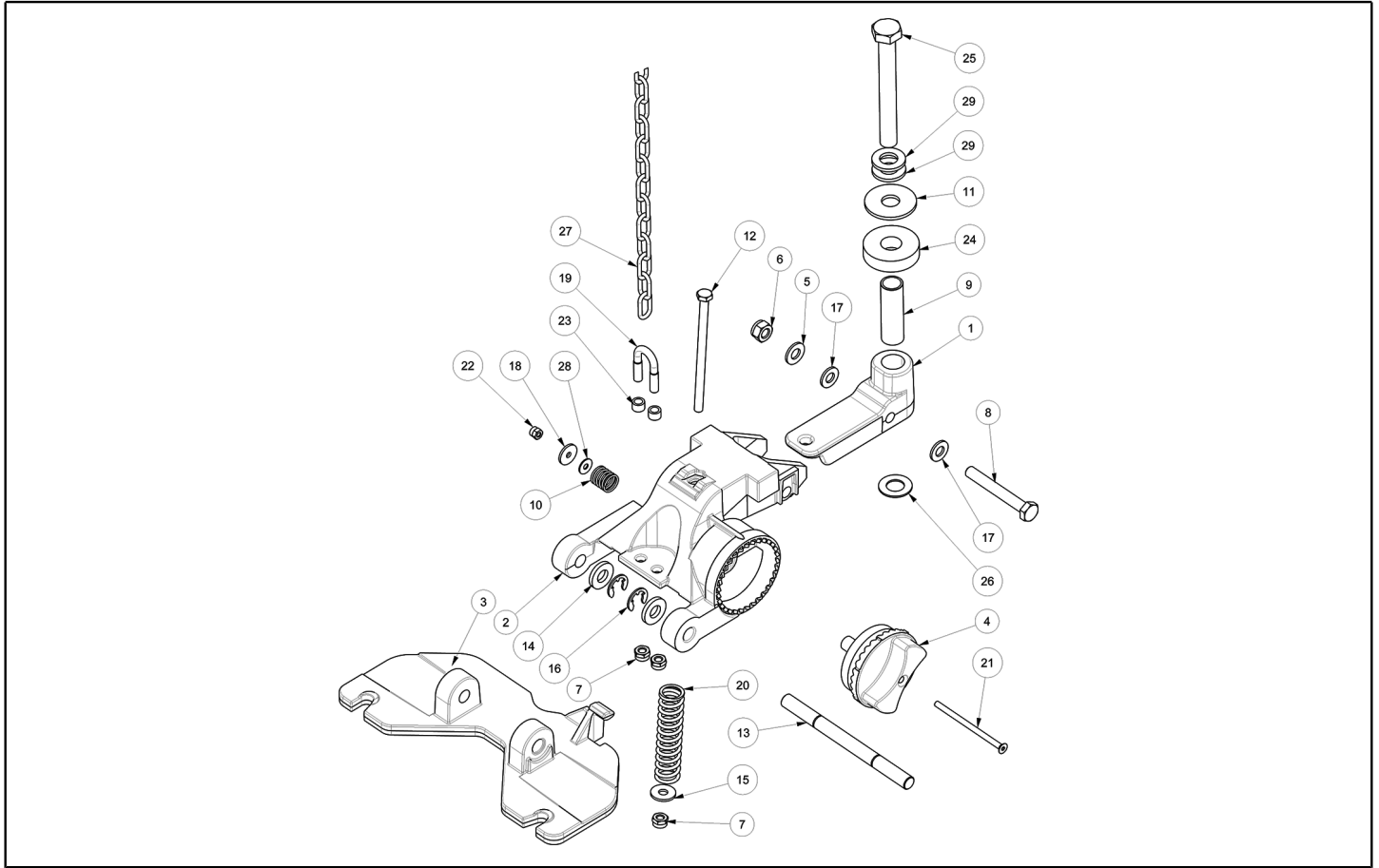
| Ref. K | Part N. | Part N. 2 | Description | Quantity | Validity | | Price |
|--------|-----------|-----------|--------------------------------|----------|----------|----|-------|
| | | | | | From | To | |
| 0001 | LAFN06764 | | CULASSE 55 | 1,00 | | | -- |
| 0002 | MPVR05602 | | FERMETURE - | 1,00 | | | -- |
| 0003 | MPVR05756 | | JOINT - | 1,00 | | | -- |
| 0004 | MPVR05601 | | PROTECTION - | 1,00 | | | -- |
| 0005 | MPVR05600 | | FERMETURE - | 1,00 | | | -- |
| 0006 | MPVR05757 | | JOINT - | 1,00 | | | -- |
| 0007 | MPVR05599 | | PROTECTION - | 1,00 | | | -- |
| 0008 | MPVR10560 | | GALET TENDEUR - | 2,00 | | | -- |
| 0009 | MOCC00379 | | MOTEUR - | 2,00 | | | -- |
| 0010 | MTPL00205 | | POULIE - | 2,00 | | | -- |
| 0011 | MPVR05603 | | TIROIR - | 1,00 | | | -- |
| 0012 | MTPL00208 | | POULIE - | 2,00 | | | -- |
| 0013 | LAFN07873 | | LEVIER - | 1,00 | | | -- |
| 0014 | LAFN07817 | | TAPIS DE TRANS. - | 1,00 | | | -- |
| 0015 | LAFN07819 | | TAPIS DE TRANS. - | 2,00 | | | -- |
| 0016 | LAFN07820 | | TAPIS DE TRANS. - | 1,00 | | | -- |
| 0017 | LAFN07815 | | TAPIS DE TRANS. - | 1,00 | | | -- |
| 0018 | LAFN36066 | | BRIDE - | 1,00 | | | -- |
| 0019 | MTCG00129 | | COURROIE POLI | 1,00 | | | -- |
| 0020 | MTCG00130 | | COURROIE POLI | 1,00 | | | -- |
| 0021 | MPVR31929 | | SUPPORT ROLLER BRUSH | 2,00 | | | -- |
| 0022 | MPVR05597 | | COUVERTURE - | 1,00 | | | -- |
| 0023 | CUVR43254 | | DOUILLE CB 85 1010 18T | 4,00 | | | -- |
| 0024 | LAFN07799 | | ENTRETOISE 10-8 L 39,9 | 2,00 | | | -- |
| 0025 | LAFN07769 | | BRIDE - | 2,00 | | | -- |
| 0026 | VTVT30246 | | VIS TSPEI M 6X 30 UNI 5933 | 2,00 | | | -- |
| 0027 | LAFN51068 | | DOUILLE LEVA POSTER. | 2,00 | | | -- |
| 0028 | LAFN07804 | | ENTRETOISE - | 2,00 | | | -- |
| 0029 | CUVR00004 | | ROULEMENT 6201 2RS -MARCA- | 4,00 | | | -- |
| 0030 | MTPL00206 | | POULIE - | 2,00 | | | -- |
| 0031 | VTVT00855 | | VIS TSP+ M4X15 | 4,00 | | | -- |
| 0032 | VTVT00832 | | VIS TSPEI M6X16 INOX | 6,00 | | | -- |
| 0033 | LAFN05186 | | TIRANT | 2,00 | | | -- |
| 0034 | MLML75961 | | RESSORT D. 16 L.80 | 1,00 | | | -- |
| 0035 | LAFN04111 | | ENTRETOISE | 2,00 | | | -- |
| 0036 | VTRS13945 | | RONDELLE D. 6X18 INX UNI 6593 | 4,00 | | | -- |
| 0037 | VTVT15145 | | VIS TE 6X40 UNI5739 INX | 2,00 | | | -- |
| 0038 | SPPV01163 | | BROSSE ROLLER L.55 D.100 B-0.3 | 2,00 | | | -- |
| 0039 | VTDD15518 | | ECROU M 6 INX | 6,00 | | | -- |
| 0040 | VTRS13947 | | RONDELLE D. 8 INX UNI 6592 | 4,00 | | | -- |
| 0041 | VTVT00728 | | VIS TE M. 8-55 | 2,00 | | | -- |
| 0042 | VTDD01695 | | ECROU M 8 INX | 2,00 | | | -- |
| 0043 | VTVT00704 | | VIS TE M 4X 16 UNI5739 INOX | 4,00 | | | -- |
| 0044 | VTDD15925 | | ECROU M 4 INX+ZN | 6,00 | | | -- |



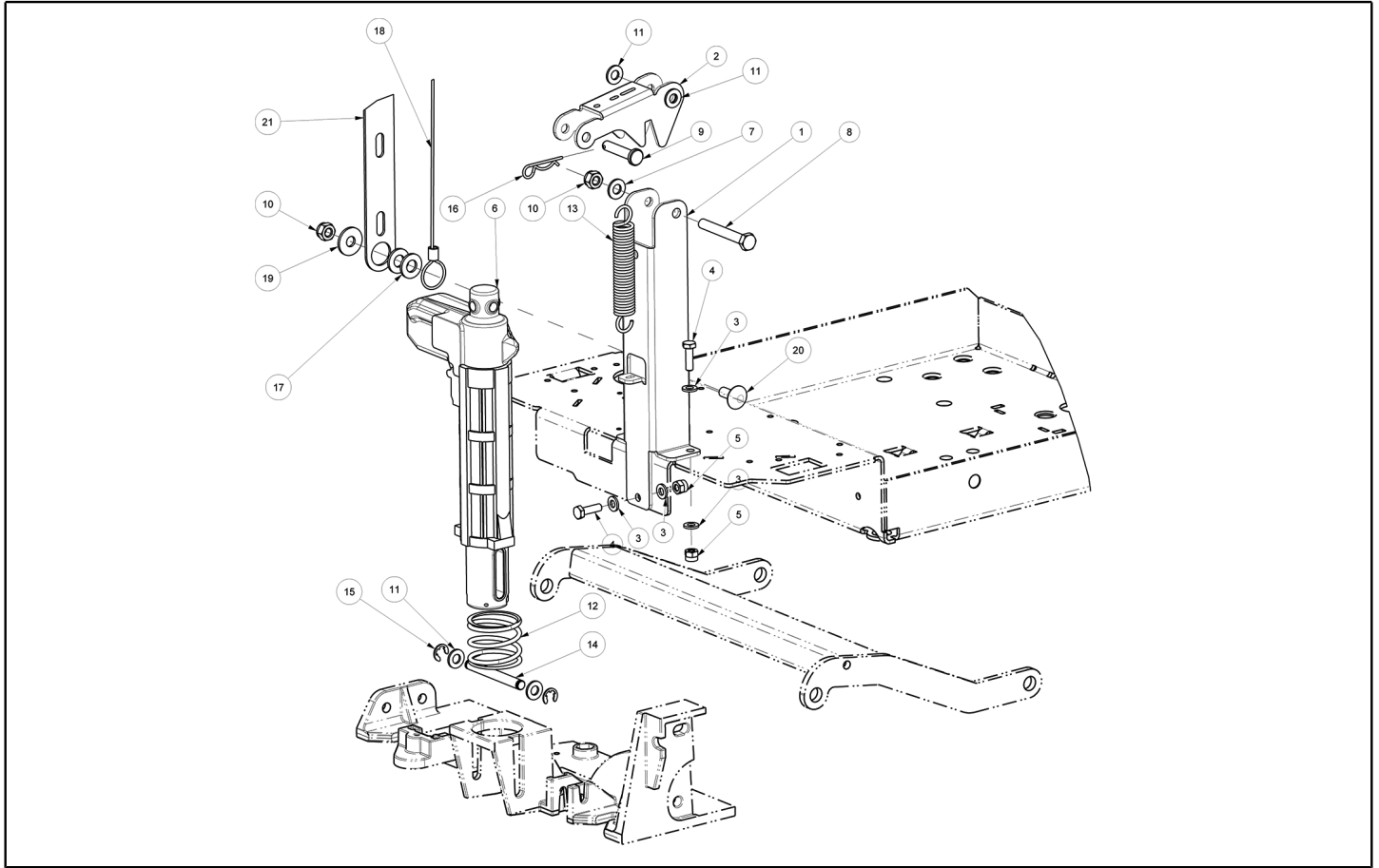
| Ref. K | Part N. | Part N. 2 | Description | Quantity | Validity | | Price |
|--------|-----------|-----------|-------------------------------------|----------|----------|----|-------|
| | | | | | From | To | |
| 0045 | VTVT00722 | | VIS | 2,00 | | | -- |
| 0046 | VTRS15144 | | RONDELLE D. 6 INX GRW UNI 1751 | 8,00 | | | -- |
| 0047 | VTVT15143 | | VIS TE 6X16 UNI5739 | 8,00 | | | -- |
| 0048 | VTRS00515 | | RONDELLE D. 4 INX | 18,00 | | | -- |
| 0049 | VTDD00055 | | ECROU M 4 ATB A2 | 16,00 | | | -- |
| 0050 | VTVT00817 | | VIS TE M4x12 UNI 5739 INOX | 2,00 | | | -- |
| 0051 | VTDD01694 | | ECROU M6 INOX | 4,00 | | | -- |
| 0052 | MLML00065 | | RESSORT L0=80 De=12 Df=1.7 | 1,00 | | | -- |
| 0053 | VTVT37012 | | VIS M 4X 10 TCB-TC INX | 16,00 | | | -- |
| 0054 | VTVT00816 | | | 2,00 | | | -- |
| 0055 | VTRS21116 | | RONDELLE D. 3 INX | 2,00 | | | -- |
| 0056 | LAFN11004 | | BRIDE - | 1,00 | | | -- |
| 0057 | LAFN11053 | | BRIDE - | 1,00 | | | -- |
| 0058 | MEEV00036 | | SOUPAPE ELECTR. HOLE 8mm CLEANTIME | 1,00 | | | -- |
| 0059 | LAFN07603 | | BRIDE - | 2,00 | | | -- |
| 0061 | VTRS00515 | | RONDELLE D. 4 INX | 5,00 | | | -- |
| 0062 | VTVT15965 | | VIS TCB-TC 4X12 UNI7687 INX | 2,00 | | | -- |
| 0063 | VTDD00055 | | ECROU M 4 ATB A2 | 2,00 | | | -- |
| 0064 | VTVT21887 | | VIS TCB-TC 4X10 8112 | 1,00 | | | -- |
| 0065 | LAFN07633 | | PIVOT - | 1,00 | | | -- |
| 0066 | VTRS15146 | | RONDELLE GROVER A2 UNI1751 | 4,00 | | | -- |
| 0067 | VTVT15907 | | VIS TE 8X25 UNI5739 INX | 4,00 | | | -- |
| 0068 | VTVT00885 | | VIS TSPEI M.12-80 | 2,00 | | | -- |
| 0069 | RCCR45752 | | RACC. P. TUYAU "L" 3/8M - D.10 PLS. | 1,00 | | | -- |
| 0070 | GUVR01008 | | JOINT - | 2,00 | | | -- |
| 0071 | FSVR00428 | | COLLIER D. 12-20 | 2,00 | | | -- |
| 0072 | TBFX48011 | | TUYAU FLEX D.12X3 ARMORV.PVC TR | 0,47 | | | -- |
| 0073 | MPVR75799 | | PETIT PIED 20x9 M 6x18 | 2,00 | | | -- |
| 0074 | VTRS15144 | | RONDELLE D. 6 INX GRW UNI 1751 | 2,00 | | | -- |
| 0075 | VTDD15520 | | ECROU M 6 A2 UNI 5588 INX | 2,00 | | | -- |
| 0076 | VTVR13165 | | CLE UNI 6604 5X5X20 | 2,00 | | | -- |
| 0077 | MECB01014 | | CABLE 6,5mmq | 1,00 | | | -- |
| 0078 | MECB02008 | | CABLAGE L320 RED W/TERMINALS | 1,00 | | | -- |



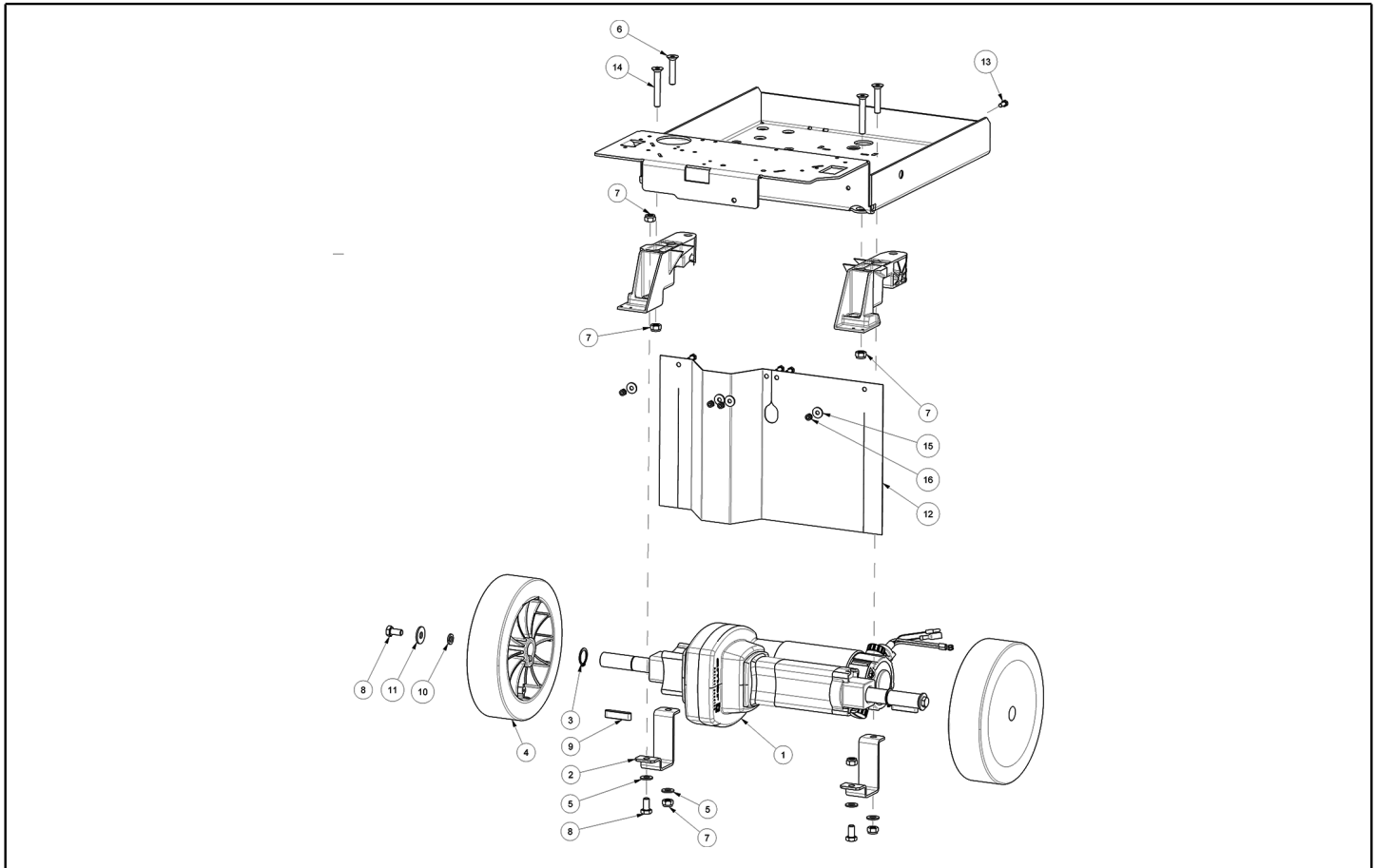
| Ref. K | Part N. | Part N. 2 | Description | Quantity | Validity | | Price |
|--------|-----------|-----------|--------------------------------------|----------|----------|----|-------|
| | | | | | From | To | |
| 0001 | LAFN09477 | | CHASSIS CT50/70 | 1,00 | | | -- |
| 0002 | MFVR00286 | | SUPPORT - | 1,00 | | | -- |
| 0003 | MFVR00287 | | SUPPORT - | 1,00 | | | -- |
| 0004 | VTVT01352 | | VIS TSPEI M8X20 | 6,00 | | | -- |
| 0005 | MFVR00283 | | SUPPORT - | 1,00 | | | -- |
| 0006 | MFVR00284 | | SUPPORT - | 1,00 | | | -- |
| 0007 | VTRS15978 | | RONDELLE D.12X24 UNI 6592 INX | 1,00 | | | -- |
| 0008 | MLML00095 | | RESSORTS DE DIS 12,2x25x0,9 DIN 2093 | 12,00 | | | -- |
| 0009 | LAFN10998 | | DOUILLE - | 2,00 | | | -- |
| 0010 | LAFN09420 | | BRAS - | 1,00 | | | -- |
| 0011 | MFVR00240 | | BRIDE BRUSH HEAD SUPPORT CT51 | 1,00 | | | -- |
| 0012 | LAFN09421 | | LEVIER - | 1,00 | | | -- |
| 0013 | VTRS13947 | | RONDELLE D. 8 INX UNI 6592 | 8,00 | | | -- |
| 0014 | VTVT00140 | | VIS TE M8x30 | 2,00 | | | -- |
| 0015 | VTDD01701 | | ECROU M8 INOX+ZIN. | 15,00 | | | -- |
| 0016 | VTDD00176 | | ECROU M.12 INOX A2 BASSO AUTOB. | 1,00 | | | -- |
| 0017 | RTRT00518 | | ROUE CASTOR D.80X30 | 1,00 | | | -- |
| 0018 | VTVT00781 | | VIS TSPEI M.8-25 | 1,00 | | | -- |
| 0019 | MPVR06505 | | COUVERTURE ELECTRONIC BOX CT51 | 1,00 | | | -- |
| 0020 | VTRS13750 | | RONDELLE D. 5X14 INX | 4,00 | | | -- |
| 0021 | VTVT01366 | | VIS M4X16 | 1,00 | | | -- |
| 0022 | VTRS00515 | | RONDELLE D. 4 INX | 1,00 | | | -- |
| 0023 | VTDD00055 | | ECROU M 4 ATB A2 | 1,00 | | | -- |
| 0024 | VTVT00017 | | VIS TE UNI 5739 8X35 ZB | 2,00 | | | -- |
| 0025 | LAFN11014 | | PIVOT - | 1,00 | | | -- |
| 0026 | LAFN11077 | | PLAQUE - | 1,00 | | | -- |
| 0027 | VTVT01322 | | VIS TSPEI 8X45 UNI5933 INX | 2,00 | | | -- |
| 0028 | VTVT01297 | | VIS M 4X 8 TCB-TC UNI 8112 | 6,00 | | | -- |
| 0029 | VTVR00335 | | TIRANT - | 1,00 | | | -- |
| 0030 | VTDD15521 | | ECROU M 8 INX A2 UNI 5588 | 1,00 | | | -- |
| 0031 | VTVT01431 | | VIS M8X40 | 1,00 | | | -- |
| 0032 | MPVR10765 | | SUPPORT FOR CLAMP | 1,00 | | | -- |
| 0033 | FSVR00049 | | COLLIER 4,5x200 black | 1,00 | | | -- |
| 0034 | VTRS00017 | | RONDELLE ACCIAIO INOX 4X12 | 1,00 | | | -- |
| 0035 | VTRS15146 | | RONDELLE GROVER A2 UNI1751 | 4,00 | | | -- |
| 0036 | VTRS15919 | | RONDELLE D.12 GROVER UNI 1751 INX | 1,00 | | | -- |



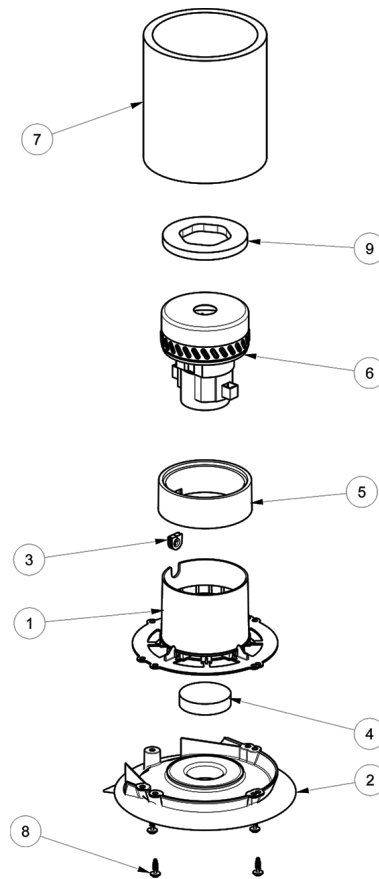
| Ref. K | Part N. | Part N. 2 | Description | Quantity | Validity | | Price |
|--------|-----------|-----------|-----------------------------------|----------|------------|------------|-------|
| | | | | | From | To | |
| 0001 | MFVR00235 | | SUPPORT PIVOT SQUEEGEE CT51-71 | 1,00 | | | -- |
| 0002 | MFVR00236 | | SUPPORT REGULATION SQUEEGEE CT51 | 1,00 | | | -- |
| 0003 | MFVR00237 | | SUPPORT SQUEEGEE CT51 | 1,00 | | | -- |
| 0004 | MPVR06468 | | POIGNEE SQUEEGEE ANGLE ADJUSTMENT | 1,00 | | | -- |
| 0005 | VTRS13947 | | RONDELLE D. 8 INX UNI 6592 | 1,00 | | | -- |
| 0006 | VTDD01695 | | ECROU M 8 INX | 1,00 | | | -- |
| 0007 | VTDD01694 | | ECROU M6 INOX | 3,00 | | | -- |
| 0008 | VTVT01009 | | VIS 8X60 | 1,00 | | | -- |
| 0009 | LAFN09439 | | DOUILLE 13X16X51 | 1,00 | | | -- |
| 0010 | MLML00491 | | RESSORT SQUEEGEE KNOB | 1,00 | | | -- |
| 0011 | VTRS09142 | | RONDELLE UNI 6593 12X36X2,5 | 1,00 | | | -- |
| 0012 | VTVT01437 | | VIS TE M6x100 | 1,00 | | | -- |
| 0013 | LAFN09417 | | PIVOT FOR SQUEEGEE SUPPORT CT51 | 1,00 | | | -- |
| 0014 | VTRS00382 | | RONDELLE - | 2,00 | | | -- |
| 0015 | VTRS13945 | | RONDELLE D. 6X18 INX UNI 6593 | 1,00 | | | -- |
| 0016 | VTAE00012 | | SEEGER RADIALE UNI 7434 D.10 | 2,00 | | | -- |
| 0017 | VTRS00274 | | RONDELLE NYLON 66 D 8,4-17-2 UNI | 2,00 | | | -- |
| 0018 | VTRS00251 | | RONDELLE 4-16 INOX A2 | 1,00 | | | -- |
| 0019 | LAFN09231 | | BRIDE M6X11X29 | 1,00 | | | -- |
| 0020 | MLML00490 | | RESSORT - | 1,00 | | | -- |
| 0021 | VTVT01585 | | VIS 4X70 UNI 5933 | 1,00 | | | -- |
| 0022 | VTDD15925 | | ECROU M 4 INX+ZN | 1,00 | | | -- |
| 0024 | MPVR06069 | | RONDELLE 15X40 | 1,00 | | | -- |
| 0025 | VTVT00305 | | VIS HEX HEAD M12 UNI5737 8.8 | 1,00 | | 19/01/2020 | -- |
| 0025 | VTVT01502 | | VIS M12X100 UNI5737 ZN 8.8 | 1,00 | 20/01/2020 | | -- |
| 0026 | VTRS88000 | | RONDELLE ELAST.ONDUL.DI 13 | 1,00 | | | -- |
| 0027 | MTCR00107 | | CHAINE SQUEEGEE LIFTING CT51 | 1,00 | | | -- |
| 0028 | VTRS00017 | | RONDELLE ACCIAIO INOX 4X12 | 1,00 | 23/05/2018 | | -- |
| 0029 | VTRS15978 | | RONDELLE D.12X24 UNI 6592 INX | 2,00 | 20/01/2020 | | -- |



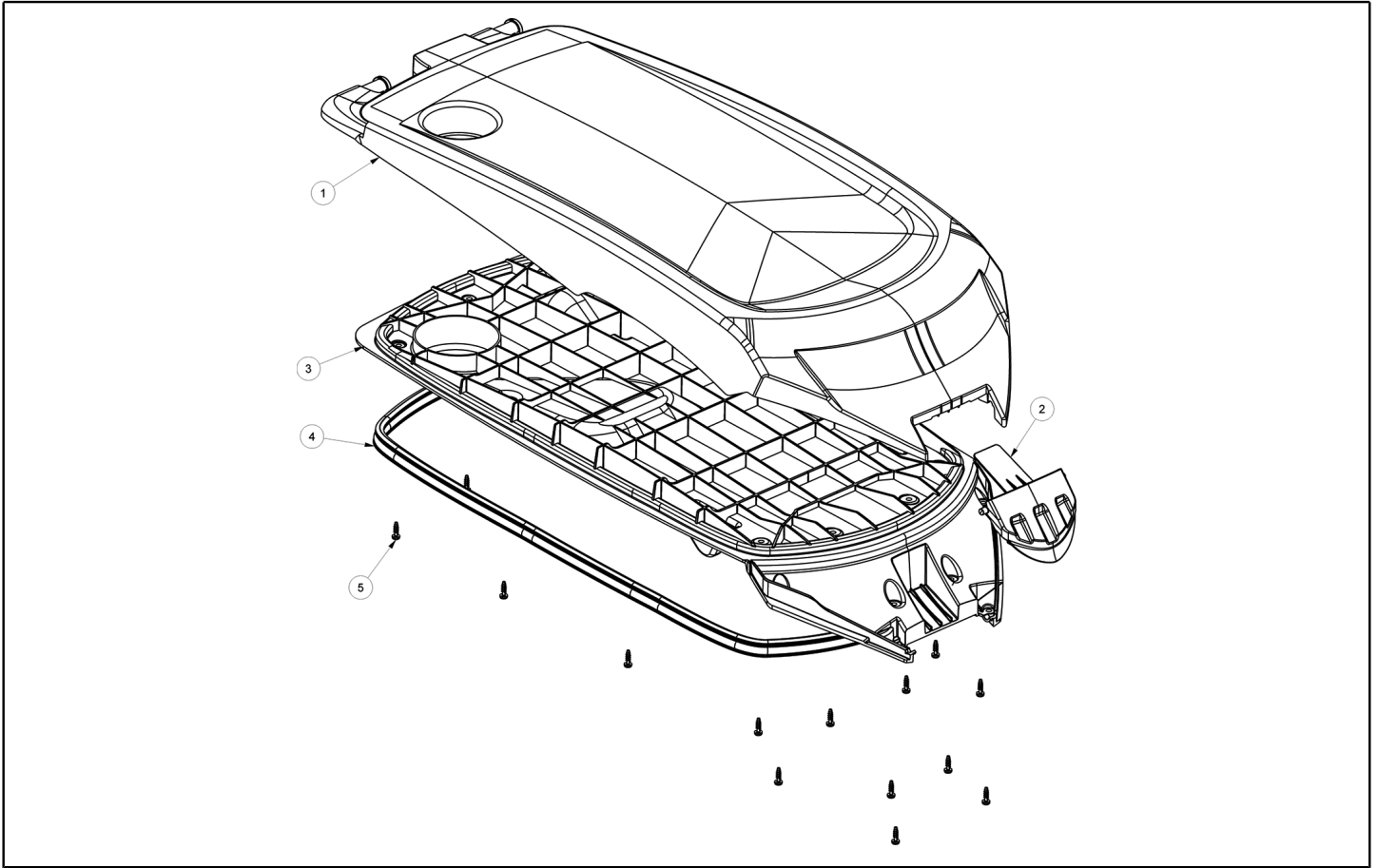
| Ref. K | Part N. | Part N. 2 | Description | Quantity | Validity | | Price |
|--------|-----------|-----------|----------------------------------|----------|----------|----|-------|
| | | | | | From | To | |
| 0001 | LAFN09431 | | BRIDE - | 1,00 | | | -- |
| 0002 | LAFN11042 | | LEVIER - | 1,00 | | | -- |
| 0003 | VTRS00245 | | RONDELLE D.6 UNI 6592 INOX | 6,00 | | | -- |
| 0004 | VTVT13939 | | VIS TE 6X20 UNI5739 INX | 3,00 | | | -- |
| 0005 | VTDD15518 | | ECROU M 6 INX | 3,00 | | | -- |
| 0006 | MOCC00448 | | VERIN CT51-71 XP | 1,00 | | | -- |
| 0007 | VTRS13947 | | RONDELLE D. 8 INX UNI 6592 | 1,00 | | | -- |
| 0008 | VTVT01009 | | VIS 8X60 | 1,00 | | | -- |
| 0009 | VTVR00634 | | PIVOT 8X40X2 | 1,00 | | | -- |
| 0010 | VTDD01695 | | ECROU M 8 INX | 2,00 | | | -- |
| 0011 | VTRS00274 | | RONDELLE NYLON 66 D.8,4-17-2 UNI | 4,00 | | | -- |
| 0012 | MLML00349 | | RESSORT - | 1,00 | | | -- |
| 0013 | MLML00479 | | RESSORT - | 1,00 | | | -- |
| 0014 | LAFN11051 | | PIVOT ACTUATOR BRUSH HEAD CT51 | 1,00 | | | -- |
| 0015 | VTAE00013 | | SEEGER RADIALE UNI 7434 D.8 | 2,00 | | | -- |
| 0016 | VTVR47052 | | GOUPILLE AR DIAM.FILO 2 | 1,00 | | | -- |
| 0017 | VTRS15523 | | RONDELLE D.10 X21 INOX UNI 6592 | 2,00 | | | -- |
| 0018 | CMCV00475 | | CABLE STEEL SAFETY CT51-71 | 1,00 | | | -- |
| 0019 | VTRS13946 | | RONDELLE D. 8 X24 INX UNI 6593 | 1,00 | | | -- |
| 0020 | VTVT00842 | | VIS | 1,00 | | | -- |
| 0021 | MPVR11573 | | GUIDE CT51-71 | 1,00 | | | -- |



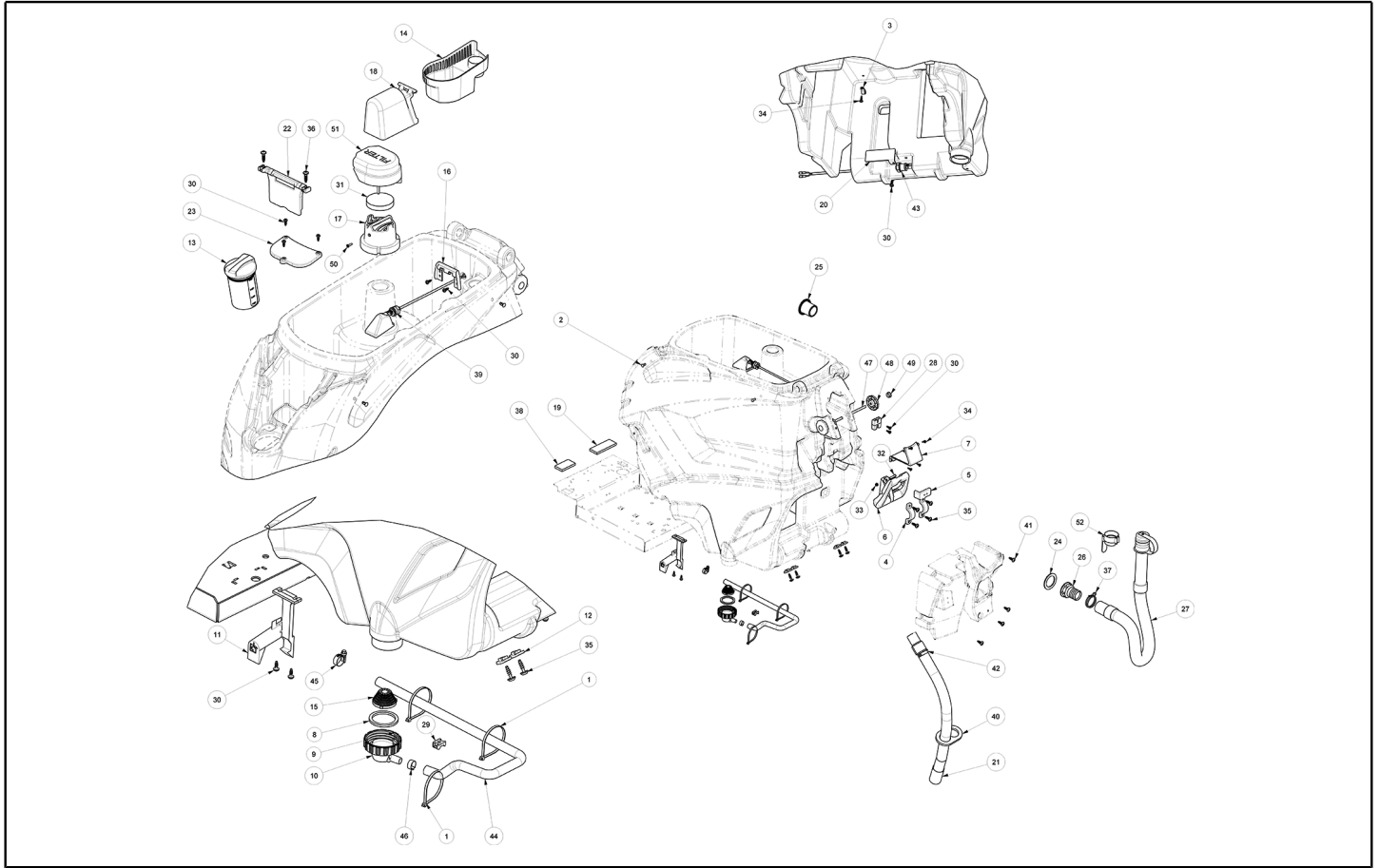
| Ref. K | Part N. | Part N. 2 | Description | Quantity | Validity | | Price |
|--------|-----------|-----------|------------------------------------|----------|----------|----|-------|
| | | | | | From | To | |
| 0001 | MOCC00465 | | MOTEUR TRACTION 24V 200W | 1,00 | | | -- |
| 0001 | MOCC00022 | | CHARBON FOR MOCC86902-MOCC00395 | 1,00 | | | -- |
| 0002 | LAFN09453 | | SUPPORT TRACTION MOTOR CT51 | 2,00 | | | -- |
| 0003 | VTAE06193 | | BAGUE D'ARRET D. 20 UNI 7435 | 2,00 | | | -- |
| 0004 | RTRT00546 | | ROUE D.200 | 2,00 | | | -- |
| 0005 | VTRS13947 | | RONDELLE D. 8 INX UNI 6592 | 4,00 | | | -- |
| 0006 | VTVT01589 | | VIS M8X40 UNI933 A2 | 2,00 | | | -- |
| 0007 | VTDD01701 | | ECROU M8 INOX+ZIN. | 6,00 | | | -- |
| 0008 | VTVT15916 | | VIS TE M 8X 16 UNI 5739 A2 | 4,00 | | | -- |
| 0009 | VTVR00566 | | CLAVETTE 6X10X40 UNI 6604 A (H.10) | 2,00 | | | -- |
| 0010 | VTRS15146 | | RONDELLE GROVER A2 UNI1751 | 2,00 | | | -- |
| 0011 | VTRS13946 | | RONDELLE D. 8 X24 INX UNI 6593 | 2,00 | | | -- |
| 0012 | MPVR10760 | | FLAP TRACTION MOTOR CT51 | 1,00 | | | -- |
| 0013 | VTVT01300 | | VIS TE M5X12 INOX | 4,00 | | | -- |
| 0014 | VTVT00992 | | VIS M8x55 INOX | 2,00 | | | -- |
| 0015 | VTRS13750 | | RONDELLE D. 5X14 INX | 4,00 | | | -- |
| 0016 | VTDD01693 | | ECROU M 5 INX | 4,00 | | | -- |



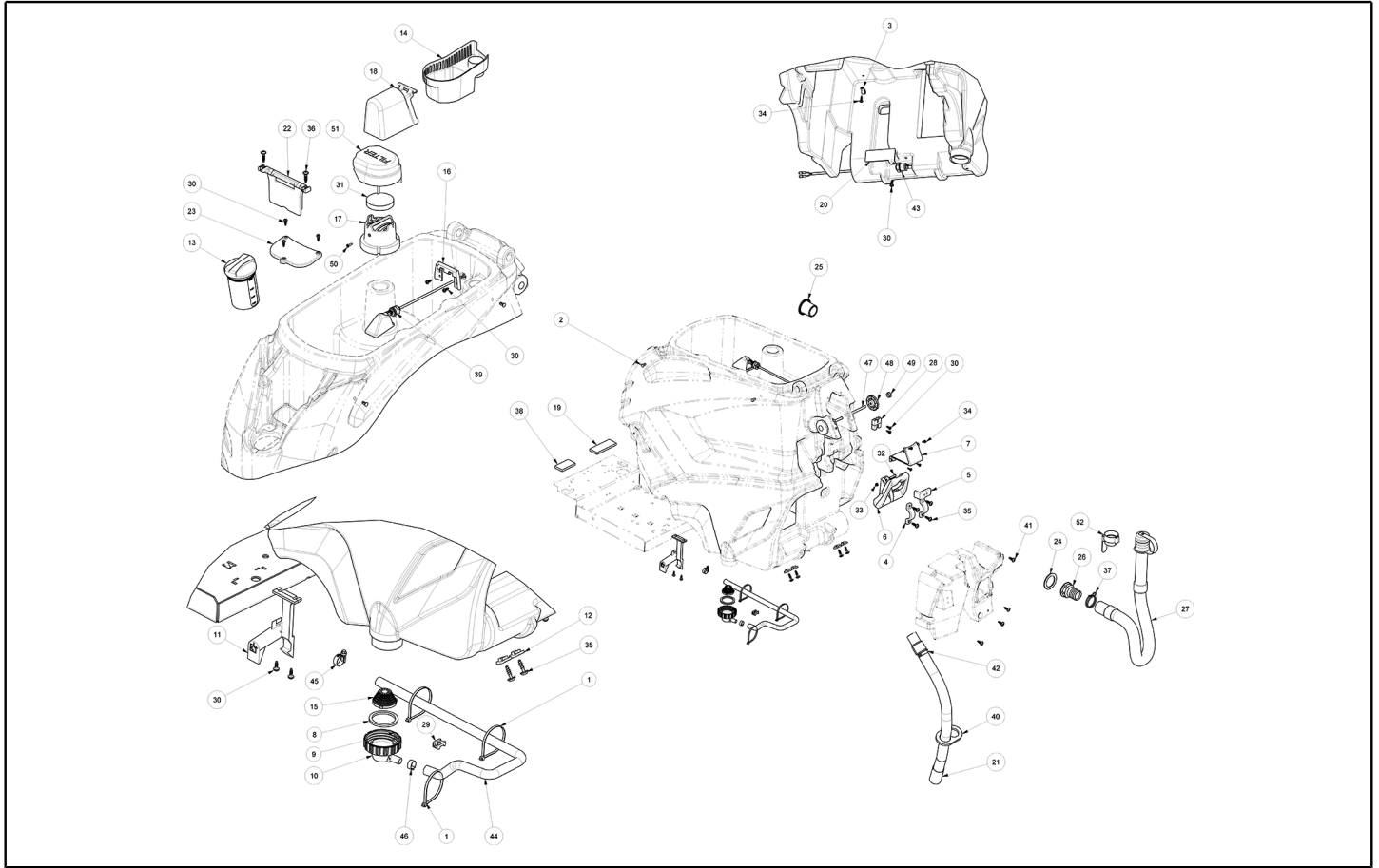
| Ref. K | Part N. | Part N. 2 | Description | Quantity | Validity | | Price |
|--------|-----------|-----------|------------------------------------|----------|------------|------------|-------|
| | | | | | From | To | |
| 0001 | MPVR06466 | | SUPPORT VACUUM MOTOR 2 ST.CT51-71 | 1,00 | | | -- |
| 0002 | MPVR06480 | | COUVERTURE VACUUM MOTOR CT51-71 | 1,00 | | | -- |
| 0003 | GUGO00496 | | PASSAGE P.CABLE 14-747 | 1,00 | | | -- |
| 0004 | FTAC00072 | | FILTRE VACUUM INTAKE CT51 | 1,00 | | 04/07/2018 | -- |
| 0005 | GUGO00466 | | JOINT RUBBER VACUUM MOT. CT51 | 1,00 | | | -- |
| 0006 | MOCC00417 | | MOTEUR VACUUM 24 2-STAGES | 1,00 | | 04/07/2018 | -- |
| 0006 | MEVR02377 | | CHARBON BRUSHES FOR MOCC00401-407 | 1,00 | | 04/07/2018 | -- |
| 0006 | MOCC00349 | | MOTEUR VACUUM 2 STAGES 24V | 1,00 | 05/07/2018 | | -- |
| 0006 | MEVR05200 | | CHARBON BRUSH VACUUM 116599-XX | 1,00 | 05/07/2018 | | -- |
| 0007 | ITSO00076 | | INSONORISATION VAC. MOTOR EXTERNAL | 1,00 | | | -- |
| 0008 | VTVT01427 | | VIS STS KN1038 8x25 - T40 A2 | 4,00 | | | -- |
| 0009 | GUGO00509 | | JOINT VACUUM MOTOR CT51-71 | 1,00 | | | -- |



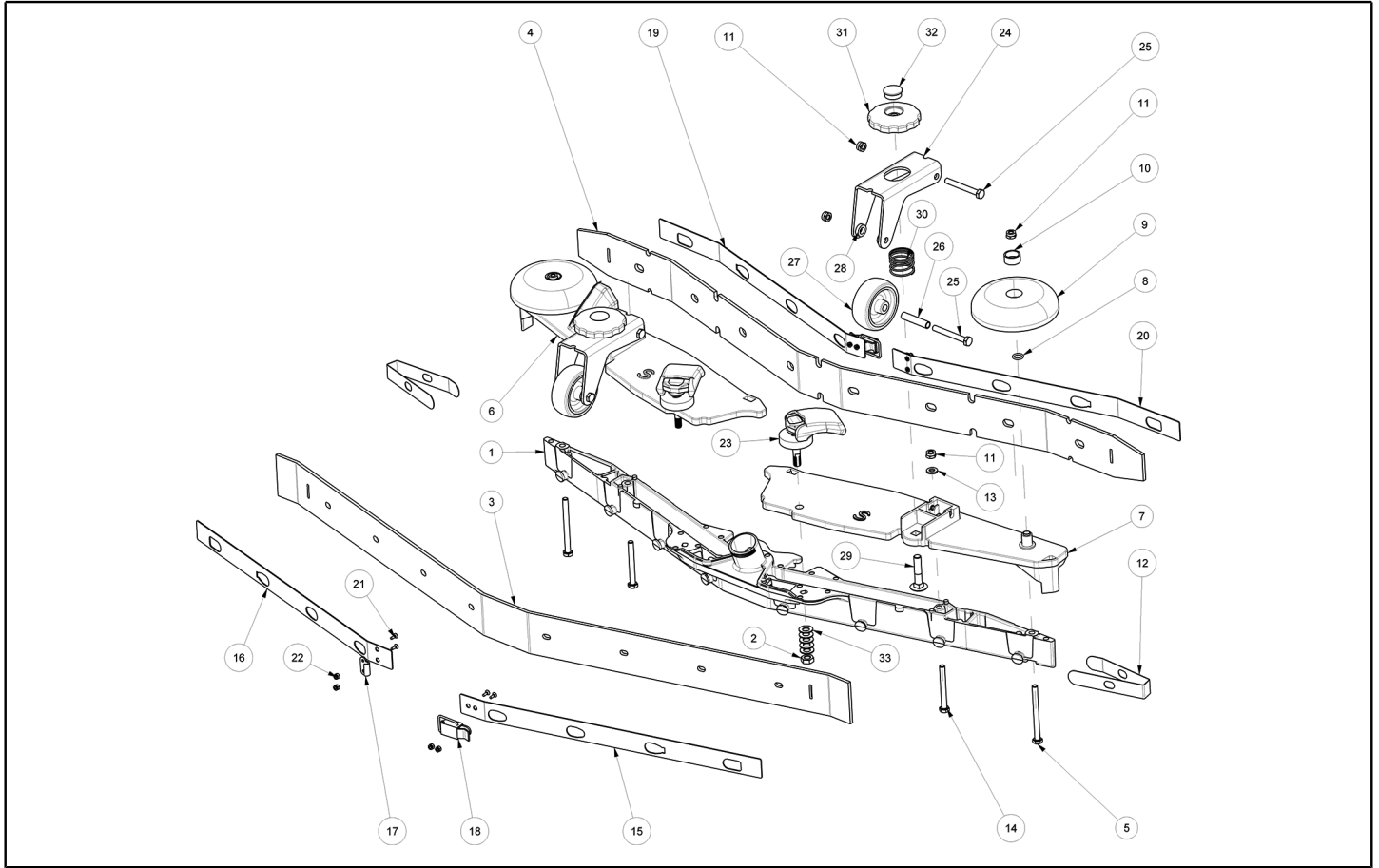
| Ref. K | Part N. | Part N. 2 | Description | Quantity | Validity | | Price |
|--------|-----------|-----------|----------------------------------|----------|----------|----|-------|
| | | | | | From | To | |
| 0001 | MPVR06476 | | COUVERCLE RECOVERY TANK EXTERNAL | 1,00 | | | -- |
| 0002 | MPVR06477 | | LEVIER CLOSURE LID CT51 | 1,00 | | | -- |
| 0003 | MPVR10696 | | COUVERCLE RECOVERY TANK INTERNAL | 1,00 | | | -- |
| 0004 | GUVR01019 | | JOINT RECOVERY TANK LID CT51-71 | 1,00 | | | -- |
| 0005 | VTVT01072 | | VIS STS KN1038 5x16 - T20 A2 | 17,00 | | | -- |



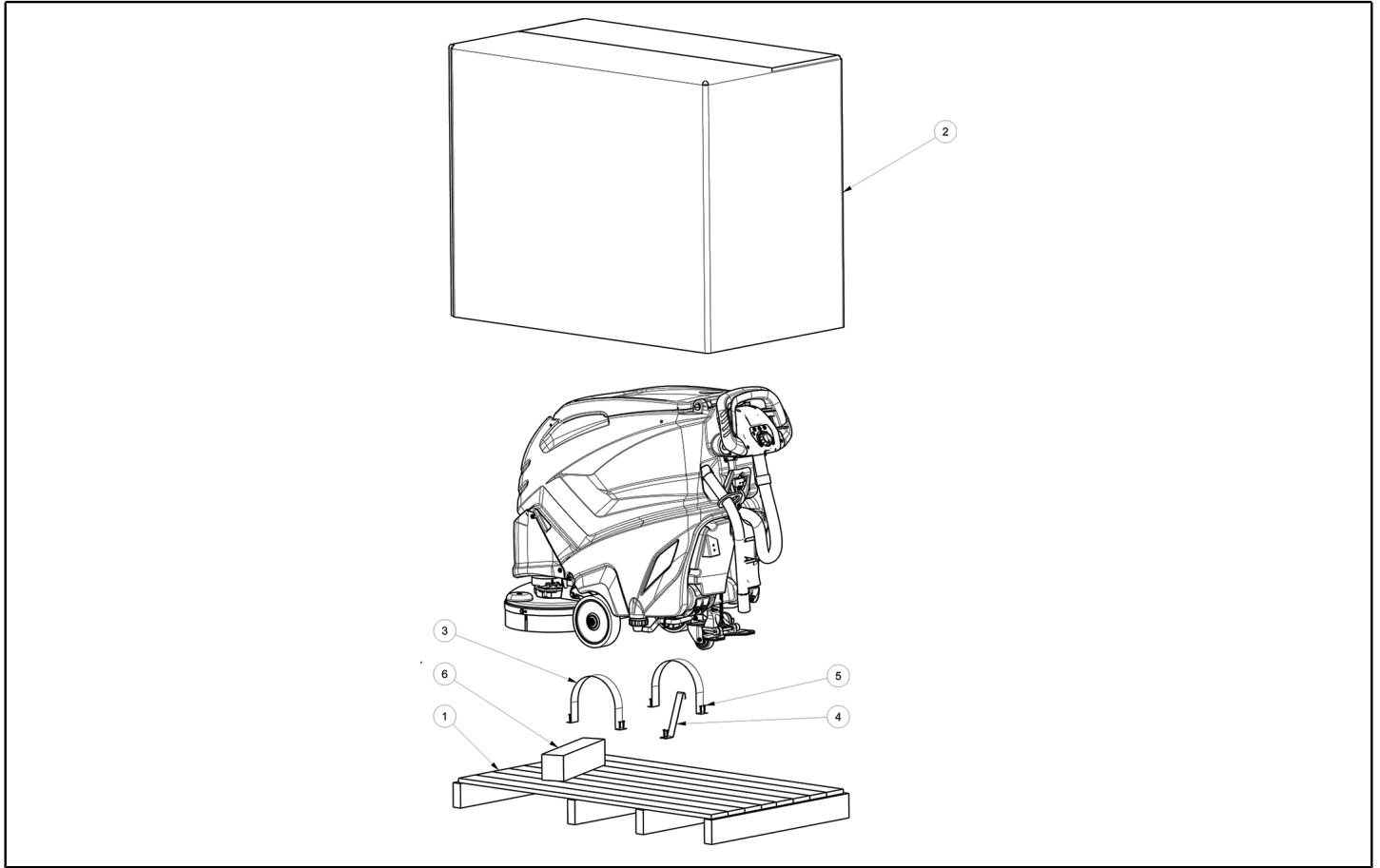
| Ref. K | Part N. | Part N. 2 | Description | Quantity | Validity | | Price |
|--------|-----------|-----------|-------------------------------------|----------|------------|----|-------|
| | | | | | From | To | |
| 0001 | FSVR00049 | | COLLIER 4,5x200 black | 3,00 | | | -- |
| 0002 | MPVR11355 | | AGRAFE | 2,00 | | | -- |
| 0003 | MPVR02933 | | FIXE-TUYAU D.9,5 | 1,00 | | | -- |
| 0004 | MPVR06470 | | PLAQUETTE - | 1,00 | | | -- |
| 0005 | MPVR10564 | | SUPPORT - | 1,00 | | | -- |
| 0006 | MPVR06469 | | POIGNEE SQUEEGEE LIFTING CT51-71 | 1,00 | | | -- |
| 0007 | MPVR10571 | | BRIDE - | 1,00 | | | -- |
| 0008 | GUGO00478 | | JOINT SOLUTION FILTER CT51 | 1,00 | | | -- |
| 0009 | MPVR06561 | | BOUCHON SOLUTION TANK CT51-71 | 1,00 | | | -- |
| 0010 | MPVR10566 | | RACC. P. TUYAU SOLUTION FILTER CT51 | 1,00 | | | -- |
| 0011 | MPVR06475 | | LEVIER TANK LOCKING CT51 | 1,00 | | | -- |
| 0012 | MPVR10562 | | GLISSIERE - | 4,00 | | | -- |
| 0013 | MPVR11497 | | BOUCHON SOLUTION TANK | 1,00 | | | -- |
| 0014 | MPVR06490 | | FILTRE DEBRIS COLLECTOR | 1,00 | | | -- |
| 0015 | MPVR10565 | | FILTRE SOLUTION TANK CT51-71 | 1,00 | | | -- |
| 0016 | MPVR10576 | | SUPPORT - | 1,00 | | | -- |
| 0017 | MPVR11676 | | SUPPORT FILTER CT51-71 | 1,00 | | | -- |
| 0018 | MPVR06560 | | PROTECTION | 1,00 | | | -- |
| 0019 | MPVR11766 | | EPAISSEUR 110X40X8,5 | 1,00 | | | -- |
| 0020 | LAFN11043 | | BRIDE - | 1,00 | | | -- |
| 0021 | TBFX00353 | | TUYAU SUCTION CT40-51-55-70-90 | 1,00 | | | -- |
| 0022 | MPVR10731 | | SUPPORT - | 1,00 | | | -- |
| 0023 | MPVR10732 | | COUVERTURE - | 1,00 | | | -- |
| 0024 | GUGO00216 | | JOINT TANK DRAIN HOSE CUFF | 1,00 | | | -- |
| 0025 | RCVR00339 | | RACCORD RIF.220.060 | 1,00 | | | -- |
| 0026 | RCVR01103 | | RACCORD 1"1/2F d.45 | 1,00 | | | -- |
| 0027 | TBFX01069 | | TUYAU DRAIN RECOVERY TANK CT51- | 1,00 | | | -- |
| 0028 | MPVR11684 | | BRANCHEMENT TUBO | 1,00 | | | -- |
| 0029 | MPVR10765 | | SUPPORT FOR CLAMP | 1,00 | | | -- |
| 0030 | VTVT01073 | | VIS STS KN1039 6x16 - T25 A2 | 10,00 | | | -- |
| 0031 | FTDP00678 | | FILTRE VACUUM MOTOR CT51 | 1,00 | | | -- |
| 0032 | VTVT01714 | | VIS TBEI 6X30 | 1,00 | | | -- |
| 0033 | VTDD01694 | | ECROU M6 INOX | 1,00 | | | -- |
| 0034 | VTVT01072 | | VIS STS KN1038 5x16 - T20 A2 | 5,00 | | | -- |
| 0035 | VTVT01427 | | VIS STS KN1038 8x25 - T40 A2 | 8,00 | | | -- |
| 0036 | VTVT01429 | | VIS STS KN1038 8x30 - T40 A2 | 2,00 | | | -- |
| 0037 | FSVR00262 | | COLLIER | 1,00 | | | -- |
| 0038 | MPVR11767 | | EPAISSEUR 75X40X8,5 | 1,00 | | | -- |
| 0039 | MECI00662 | | CAPTEUR LEVEL | 1,00 | 21/06/2018 | | -- |
| 0040 | MPVR04659 | | BRIDE | 1,00 | | | -- |
| 0041 | VTVT01430 | | VIS STS KN1038 8x22 - T40 A2 | 4,00 | | | -- |
| 0042 | MPVR06119 | | COLLIER INDICATION , YELLOW | 1,00 | | | -- |
| 0043 | MECI00592 | | CAPTEUR SOLUTION TANK CT51-71 | 1,00 | | | -- |
| 0044 | TBFX48011 | | TUYAU FLEX D.12X3 ARMORV.PVC TR | 1,00 | | | -- |



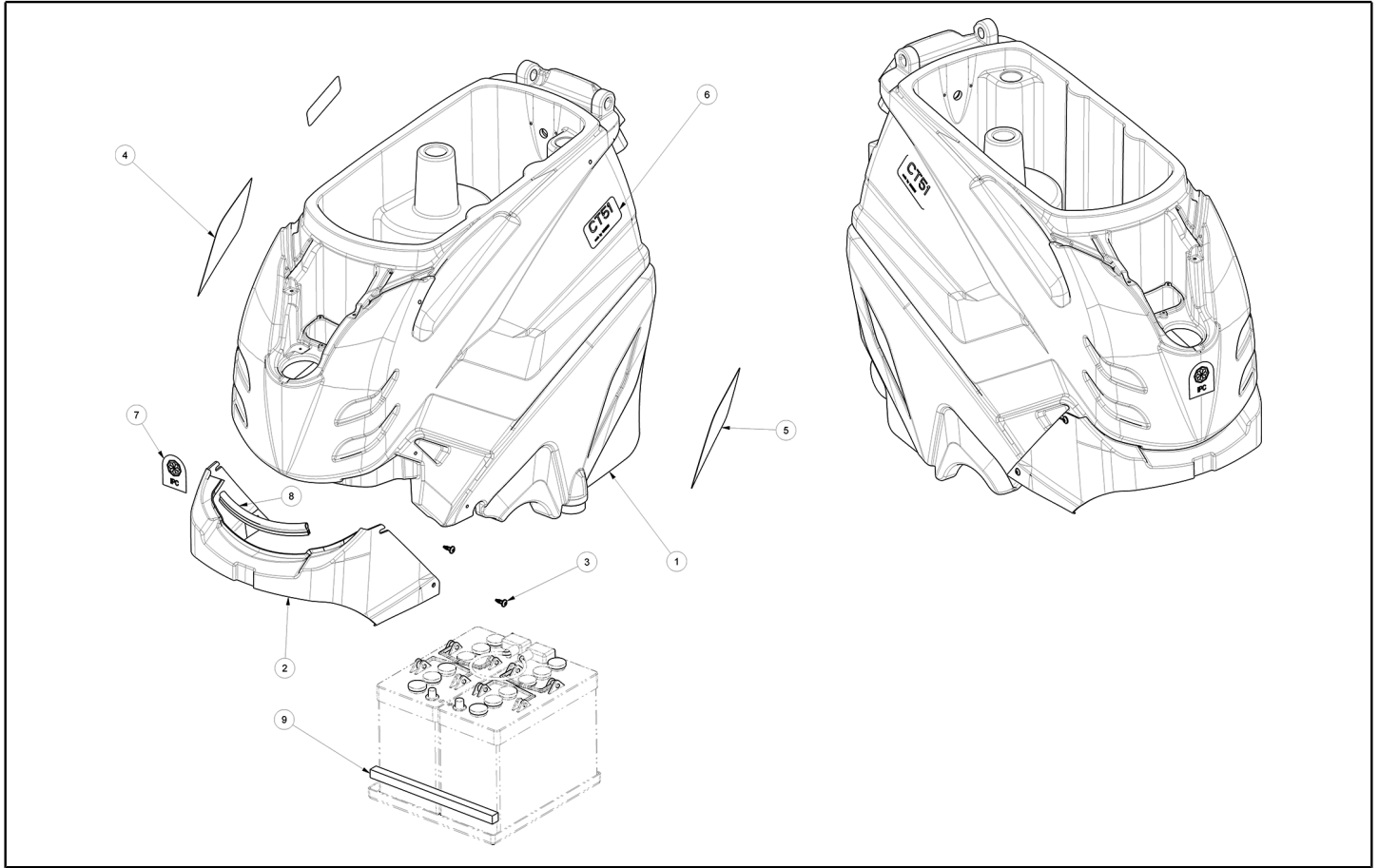
| Ref. K | Part N. | Part N. 2 | Description | Quantity | Validity | | Price |
|--------|-----------|-----------|--------------------------------|----------|----------|----|-------|
| | | | | | From | To | |
| 0045 | FSVR00428 | | COLLIER D. 12-20 | 1,00 | | | -- |
| 0046 | FSVR00261 | | COLLIER | 1,00 | | | -- |
| 0047 | VTVR01001 | | BARRE | 1,00 | | | -- |
| 0048 | MPVR06478 | | PETIT POIGNEE WHEEL ADJUSTMENT | 2,00 | | | -- |
| 0049 | MPVR06479 | | BOUCHON - | 2,00 | | | -- |
| 0050 | VTVT00835 | | VIS 4,5-20 DIN 7505-A INOX | 1,00 | | | -- |
| 0051 | MPVR11641 | | COUVERTURE FILTER CT51 | 1,00 | | | -- |
| 0052 | MPVR01097 | | CROCHET DRAIN HOSE | 1,00 | | | -- |



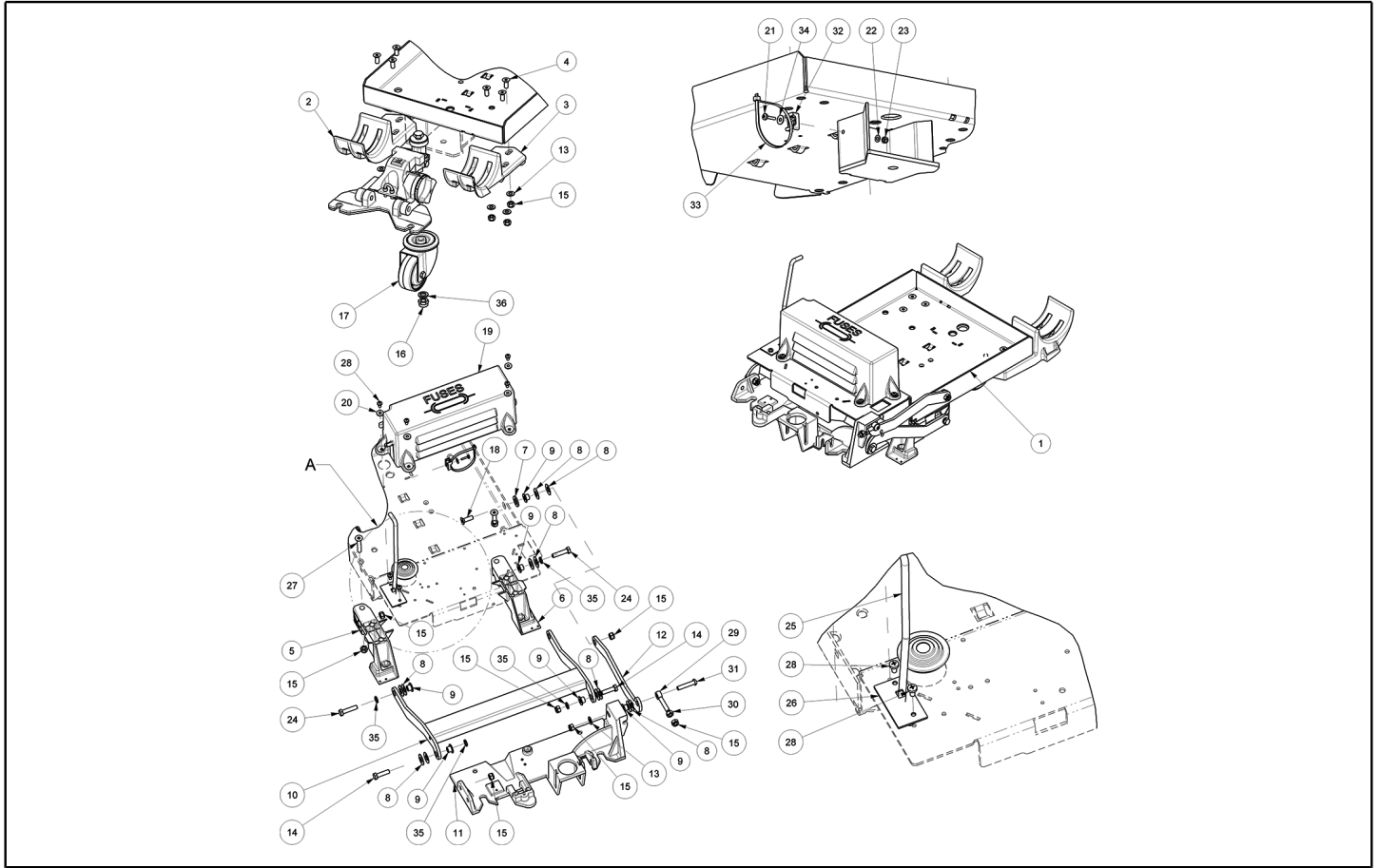
| Ref. K | Part N. | Part N. 2 | Description | Quantity | Validity | | Price |
|--------|-----------|-----------|-------------------------------------|----------|------------|----|-------|
| | | | | | From | To | |
| 0001 | MFVR00319 | | CHASSIS SQUEEGEE S-SIZE | 1,00 | | | -- |
| 0002 | VTDD00530 | | ECROU M8 UNI 5589 | 2,00 | | | -- |
| 0003 | MPVR08035 | | LAME S LATEX | 1,00 | | | -- |
| 0004 | MPVR08039 | | LAME S LATEX | 1,00 | | | -- |
| 0005 | VTVT00699 | | VIS TE M. 6-70 | 2,00 | | | -- |
| 0006 | MPVR06491 | | PLAQUE - | 1,00 | | | -- |
| 0007 | MPVR06492 | | PLAQUE - | 1,00 | | | -- |
| 0008 | GUGO00164 | | JOINT | 2,00 | | | -- |
| 0009 | MPVR05290 | | GALET TENDEUR SIDE BUMPER WHEEL | 2,00 | | | -- |
| 0010 | MPVR49229 | | DOUILLE SHK | 2,00 | | | -- |
| 0011 | VTDD01694 | | ECROU M6 INOX | 8,00 | | | -- |
| 0012 | MPVR05897 | | FERMETURE S | 2,00 | | | -- |
| 0013 | VTRS00245 | | RONDELLE D.6 UNI 6592 INOX | 2,00 | | | -- |
| 0014 | VTVT00655 | | VIS TE M. 6-55 | 2,00 | | | -- |
| 0015 | LAFN09281 | | TOLE - | 1,00 | | | -- |
| 0016 | LAFN09283 | | LAME HOLDER S SIZE POST. LEFT | 1,00 | | | -- |
| 0017 | LAFN09301 | | PRISE - | 2,00 | | | -- |
| 0018 | LAFN09302 | | FERMETURE - | 2,00 | | | -- |
| 0019 | LAFN09280 | | TOLE - | 1,00 | | | -- |
| 0020 | LAFN09279 | | LAME HOLDER S SIZE ANT. RIGHT | 1,00 | | | -- |
| 0021 | VTVT01070 | | VIS TSTC M3X8 | 8,00 | | | -- |
| 0022 | VTDD00210 | | ECROU M 3 AUTOBL. DIN 985 IX. A2 | 8,00 | | | -- |
| 0023 | PMVR06995 | | CROCHET SQUEEGEE CT51-71 | 2,00 | | | -- |
| 0024 | LAFN09471 | | SUPPORT CASTOR WHEEL NEW | 2,00 | | | -- |
| 0025 | VTVT15515 | | VIS TE M 6X 50 INOX A2 | 4,00 | | | -- |
| 0026 | LAFN07534 | | ENTRETOISE - | 2,00 | | | -- |
| 0027 | RTRT00398 | | ROUE d.60 HOLE 8 | 2,00 | | | -- |
| 0028 | VTRS00383 | | RONDELLE - | 4,00 | | | -- |
| 0029 | VTVT01304 | | VIS M 8X 40 TTQST UNI 5731 | 2,00 | | | -- |
| 0030 | MLML00473 | | RESSORT - | 2,00 | | | -- |
| 0031 | MPVR06478 | | PETIT POIGNEE WHEEL ADJUSTMENT | 2,00 | | | -- |
| 0032 | MPVR06479 | | BOUCHON - | 2,00 | | | -- |
| 0033 | MLML00493 | | RESSORTS DE DIS 16x8,2x0,9 DIN 2093 | 10,00 | 14/12/2017 | | -- |



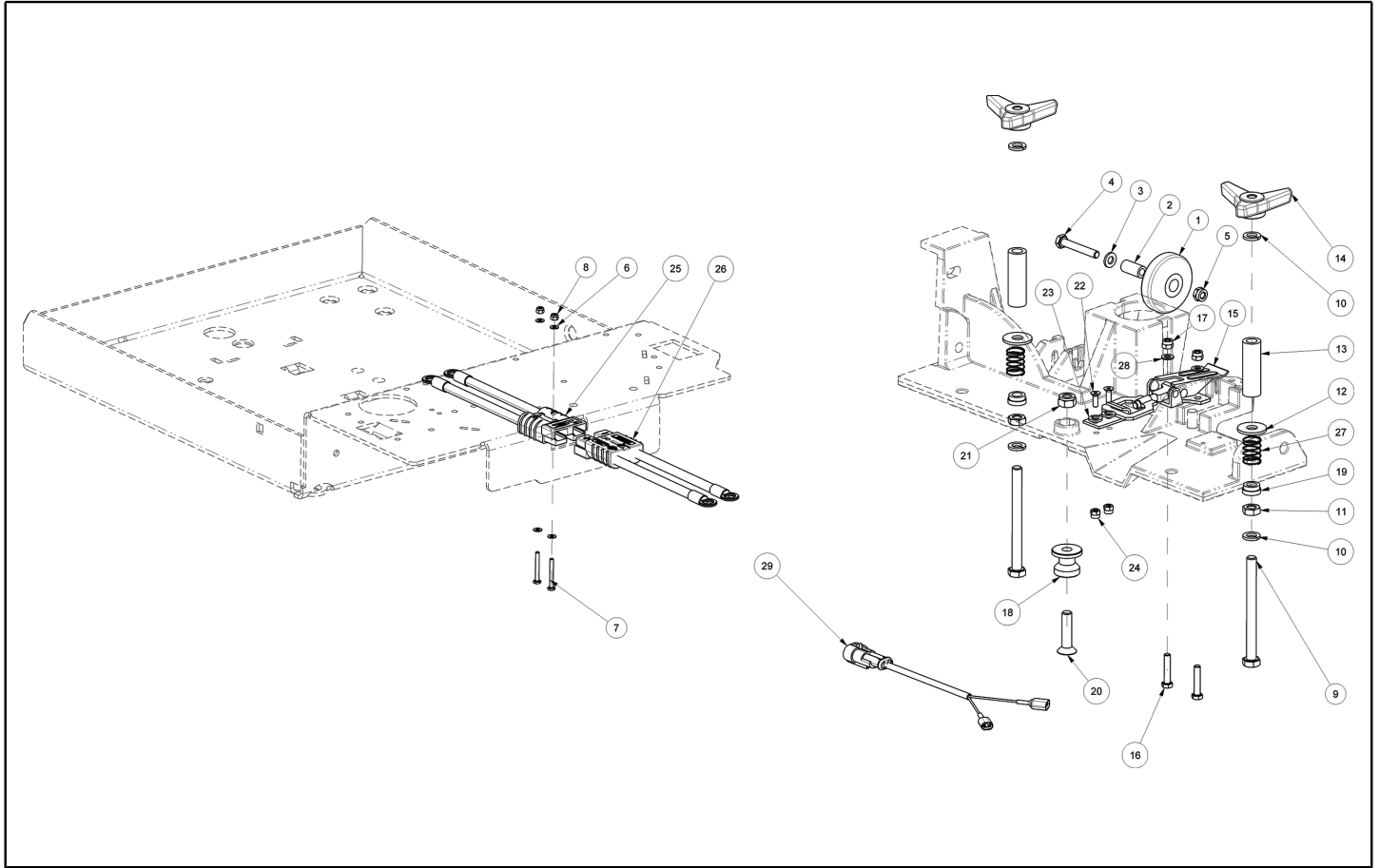
| Ref. K | Part N. | Part N. 2 | Description | Quantity | Validity | | Price |
|--------|-----------|-----------|-----------------------------------|----------|----------|----|-------|
| | | | | | From | To | |
| 0001 | MIBA00151 | | PALETTE | 1,00 | | | -- |
| 0002 | MICT00704 | | BOITE CARTON | 1,00 | | | -- |
| 0003 | MIVR00135 | | BLOCAGE RUOTA POSTERIORE X IMBAL. | 2,00 | | | -- |
| 0004 | MIVR00269 | | BRIDE | 1,00 | | | -- |
| 0005 | VTVT00043 | | VIS AUTOF.LEGNO 4,5X25 TS BR | 10,00 | | | -- |
| 0006 | MIVR00055 | | FLASQUE INF. IN POLIST.400X100X90 | 1,00 | | | -- |



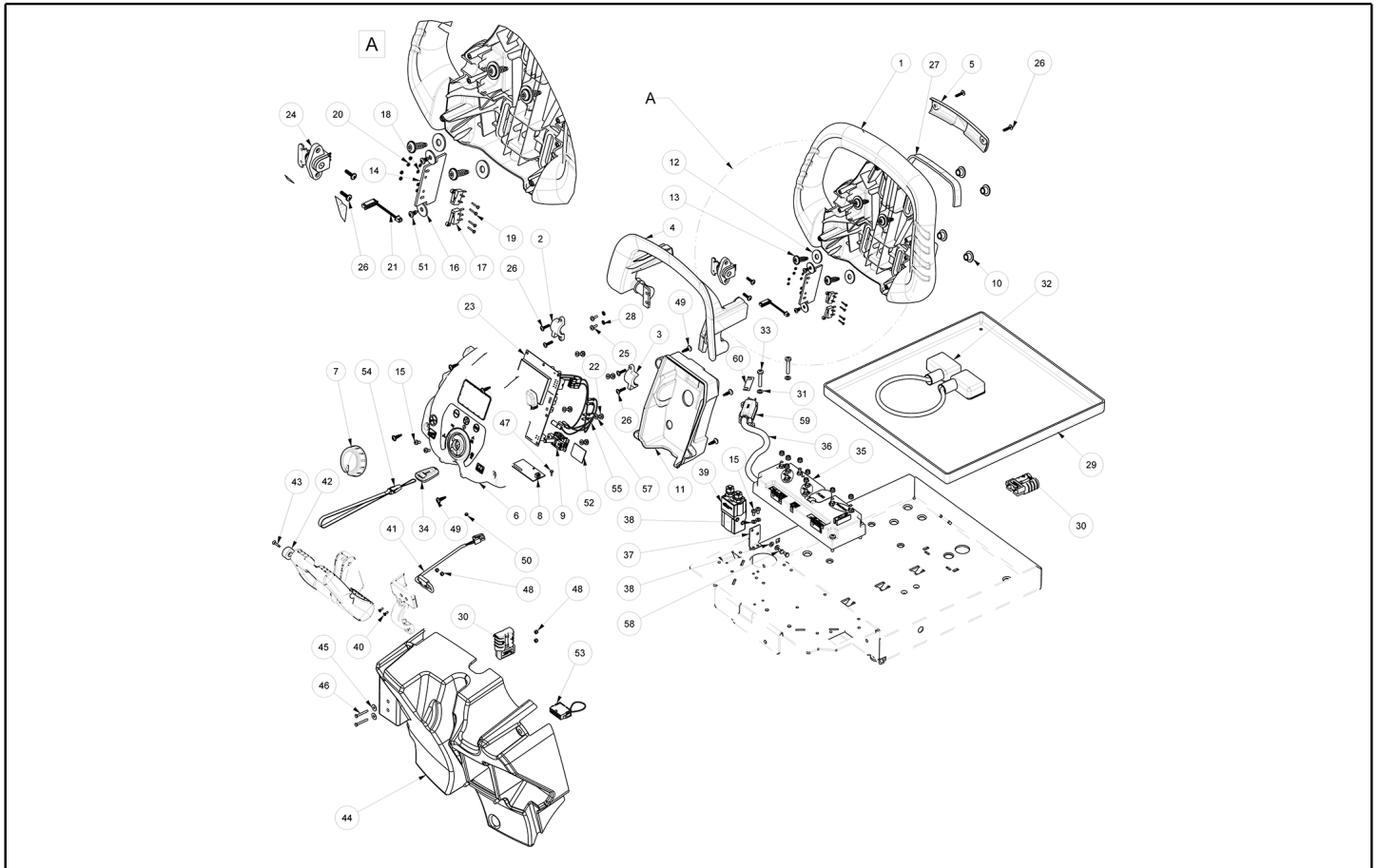
| Ref. K | Part N. | Part N. 2 | Description | Quantity | Validity | | Price |
|--------|-----------|-----------|------------------------------|----------|----------|----|-------|
| | | | | | From | To | |
| 0001 | MPVR06473 | | RESERVOIR CT51 GREEN | 1,00 | | | -- |
| 0002 | MPVR11769 | | COUVERTURE MOTEUR | 1,00 | | | -- |
| 0003 | VTVT01430 | | VIS STS KN1038 8x22 - T40 A2 | 4,00 | | | -- |
| 0004 | ETET20201 | | ETICHETTE - | 1,00 | | | -- |
| 0005 | ETET20202 | | ETICHETTE - | 1,00 | | | -- |
| 0006 | ETET20203 | | ETICHETTE CT51 | 2,00 | | | -- |
| 0007 | ETET20091 | | ETICHETTE - | 1,00 | | | -- |
| 0008 | GUVR00160 | | JOINT RUBBERIZED | 0,24 | | | -- |
| 0009 | MPVR12029 | | ENTRETOISE . | 1,00 | | | -- |



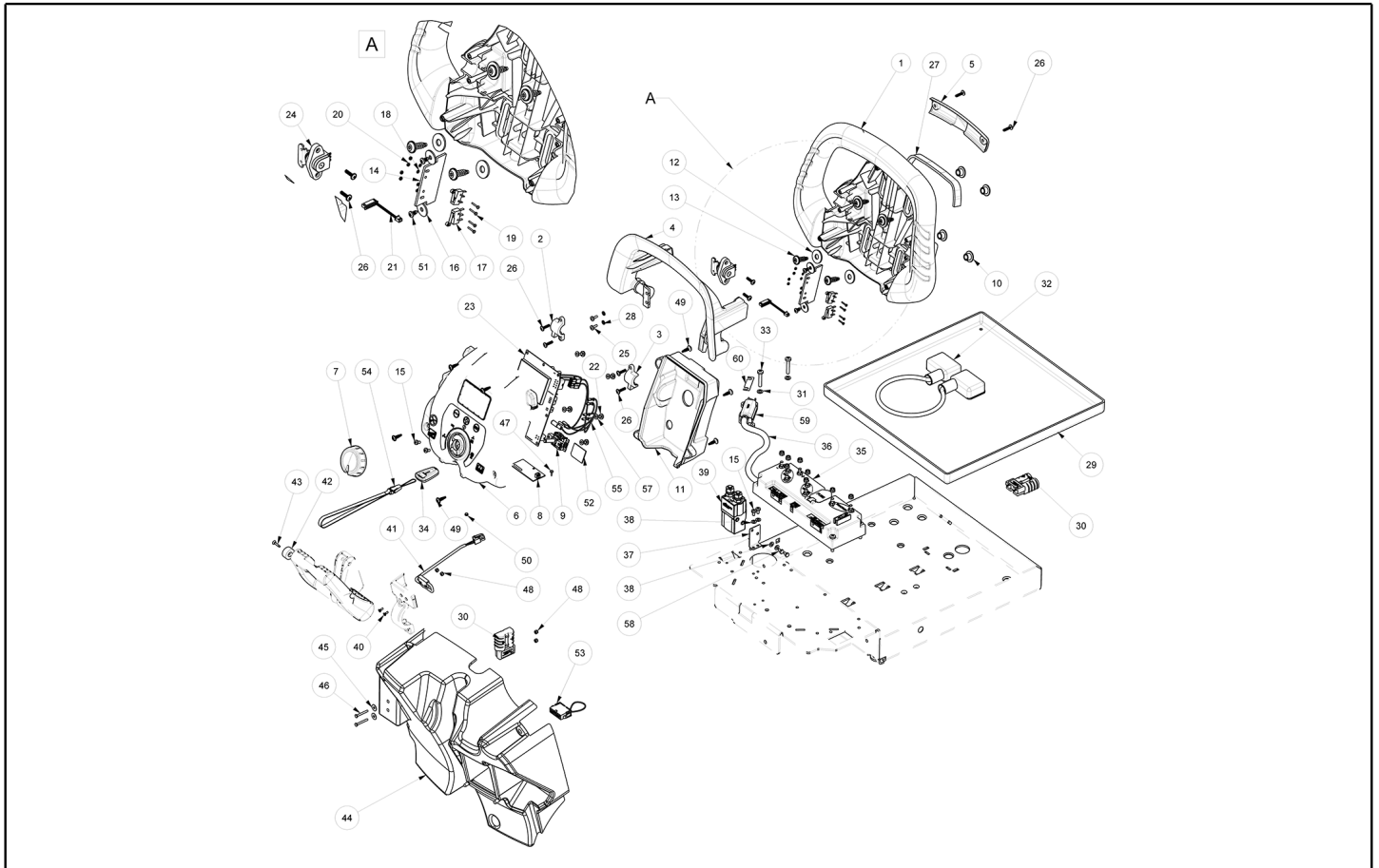
| Ref. K | Part N. | Part N. 2 | Description | Quantity | Validity | | Price |
|--------|-----------|-----------|--------------------------------------|----------|----------|----|-------|
| | | | | | From | To | |
| 0001 | LAFN09477 | | CHASSIS CT50/70 | 1,00 | | | -- |
| 0002 | MFVR00286 | | SUPPORT - | 1,00 | | | -- |
| 0003 | MFVR00287 | | SUPPORT - | 1,00 | | | -- |
| 0004 | VTVT01352 | | VIS TSPEI M8X20 | 6,00 | | | -- |
| 0005 | MFVR00283 | | SUPPORT - | 1,00 | | | -- |
| 0006 | MFVR00284 | | SUPPORT - | 1,00 | | | -- |
| 0007 | VTRS15978 | | RONDELLE D.12X24 UNI 6592 INX | 1,00 | | | -- |
| 0008 | MLML00095 | | RESSORTS DE DIS 12,2x25x0,9 DIN 2093 | 12,00 | | | -- |
| 0009 | LAFN10998 | | DOUILLE - | 6,00 | | | -- |
| 0010 | LAFN09420 | | BRAS - | 1,00 | | | -- |
| 0011 | MFVR00240 | | BRIDE BRUSH HEAD SUPPORT CT51 | 1,00 | | | -- |
| 0012 | LAFN09421 | | LEVIER - | 1,00 | | | -- |
| 0013 | VTRS13947 | | RONDELLE D. 8 INX UNI 6592 | 7,00 | | | -- |
| 0014 | VTVT00140 | | VIS TE M8x30 | 2,00 | | | -- |
| 0015 | VTDD01695 | | ECROU M 8 INX | 15,00 | | | -- |
| 0016 | VTDD00176 | | ECROU M.12 INOX A2 BASSO AUTOB. | 1,00 | | | -- |
| 0017 | RTRT00518 | | ROUE CASTOR D.80X30 | 1,00 | | | -- |
| 0018 | VTVT00781 | | VIS TSPEI M.8-25 | 1,00 | | | -- |
| 0019 | MPVR06505 | | COUVERTURE ELECTRONIC BOX CT51 | 1,00 | | | -- |
| 0020 | VTRS13750 | | RONDELLE D. 5X14 INX | 4,00 | | | -- |
| 0021 | VTVT01366 | | VIS M4X16 | 1,00 | | | -- |
| 0022 | VTRS00515 | | RONDELLE D. 4 INX | 1,00 | | | -- |
| 0023 | VTDD00055 | | ECROU M 4 ATB A2 | 1,00 | | | -- |
| 0024 | VTVT00017 | | VIS TE UNI 5739 8X35 ZB | 2,00 | | | -- |
| 0025 | LAFN11014 | | PIVOT - | 1,00 | | | -- |
| 0026 | LAFN11077 | | PLAQUE - | 1,00 | | | -- |
| 0027 | VTVT01322 | | VIS TSPEI 8X45 UNI5933 INX | 2,00 | | | -- |
| 0028 | VTVT01297 | | VIS M 4X 8 TCB-TC UNI 8112 | 6,00 | | | -- |
| 0029 | VTVR00335 | | TIRANT - | 1,00 | | | -- |
| 0030 | VTDD15521 | | ECROU M 8 INX A2 UNI 5588 | 1,00 | | | -- |
| 0031 | VTVT01431 | | VIS M8X40 | 1,00 | | | -- |
| 0032 | MPVR10765 | | SUPPORT FOR CLAMP | 1,00 | | | -- |
| 0033 | FSVR00049 | | COLLIER 4,5x200 black | 1,00 | | | -- |
| 0034 | VTRS00017 | | RONDELLE ACCIAIO INOX 4X12 | 1,00 | | | -- |
| 0035 | VTRS15146 | | RONDELLE GROVER A2 UNI1751 | 4,00 | | | -- |
| 0036 | VTRS15919 | | RONDELLE D.12 GROVER UNI 1751 INX | 1,00 | | | -- |



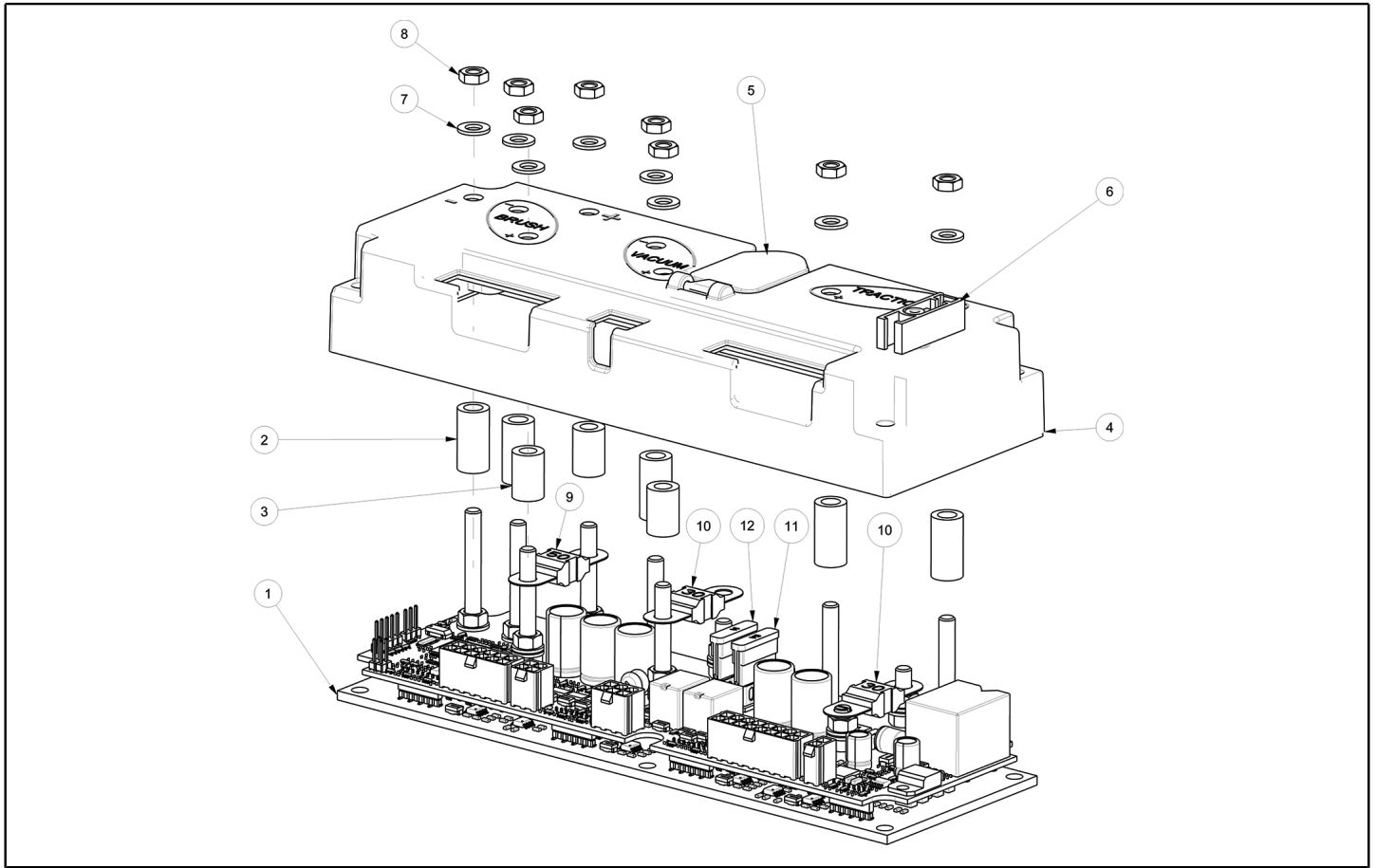
| Ref. K | Part N. | Part N. 2 | Description | Quantity | Validity | | Price |
|--------|-----------|-----------|-----------------------------------|----------|----------|----|-------|
| | | | | | From | To | |
| 0001 | RTRT00576 | | ROUE D.50X17 - HOLE 10.5 | 1,00 | | | -- |
| 0002 | MPVR06501 | | ENTRETOISE | 1,00 | | | -- |
| 0003 | VTRS00245 | | RONDELLE D.6 UNI 6592 INOX | 1,00 | | | -- |
| 0004 | VTVT15145 | | VIS TE 6X40 UNI5739 INX | 1,00 | | | -- |
| 0005 | VTDD01694 | | ECROU M6 INOX | 1,00 | | | -- |
| 0006 | VTRS21116 | | RONDELLE D. 3 INX | 4,00 | | | -- |
| 0007 | VTVT00021 | | VIS TE UNI 5739 3X25 ZB | 2,00 | | | -- |
| 0008 | VTDD00210 | | ECROU M 3 AUTOBL.DIN 985 IX.A2 | 2,00 | | | -- |
| 0009 | VTVT01321 | | VIS TE 8X90 UNI5739 | 2,00 | | | -- |
| 0010 | VTRS15146 | | RONDELLE GROVER A2 UNI1751 | 4,00 | | | -- |
| 0011 | VTDD00057 | | ECROU UNI 5589 M8 BASSO ZB | 2,00 | | | -- |
| 0012 | VTRS13946 | | RONDELLE D. 8 X24 INX UNI 6593 | 2,00 | | | -- |
| 0013 | LAFN11002 | | ENTRETOISE - | 2,00 | | | -- |
| 0014 | MPVR04164 | | PETIT POIGNEE YELLOW M8 F | 2,00 | | | -- |
| 0015 | LAFN09418 | | CROCHET BRUSH HEAD CT51 | 1,00 | | | -- |
| 0016 | VTVT00766 | | VIS TE M. 5-25 | 2,00 | | | -- |
| 0017 | VTDD15517 | | ECROU M 5 INX | 2,00 | | | -- |
| 0018 | LAFN09419 | | PIVOT - | 1,00 | | | -- |
| 0019 | LAFN11089 | | ENTRETOISE - | 2,00 | | | -- |
| 0020 | VTVT00427 | | VIS TSPEI 8X35 UNI5933 INX | 1,00 | | | -- |
| 0021 | VTDD01701 | | ECROU M8 INOX+ZIN. | 1,00 | | | -- |
| 0022 | VTVT00474 | | VIS TSCE uni 5933 4x12 ZB | 2,00 | | | -- |
| 0023 | VTRS15144 | | RONDELLE D. 6 INX GRW UNI 1751 | 2,00 | | | -- |
| 0024 | VTDD15925 | | ECROU M 4 INX+ZN | 2,00 | | | -- |
| 0025 | MECB01947 | | CABLAGE BOARD BRUSH HEAD CT51-71 | 1,00 | | | -- |
| 0026 | MECB01946 | | CABLAGE BRUSH HEAD MOTORS CT51-71 | 1,00 | | | -- |
| 0027 | MLML00348 | | RESSORT - | 2,00 | | | -- |
| 0028 | VTRS00516 | | RONDELLE D. 5 INX | 2,00 | | | -- |
| 0029 | MECB02066 | | CABLAGE PLAQUETTE MOTEUR BROSE | 1,00 | | | -- |



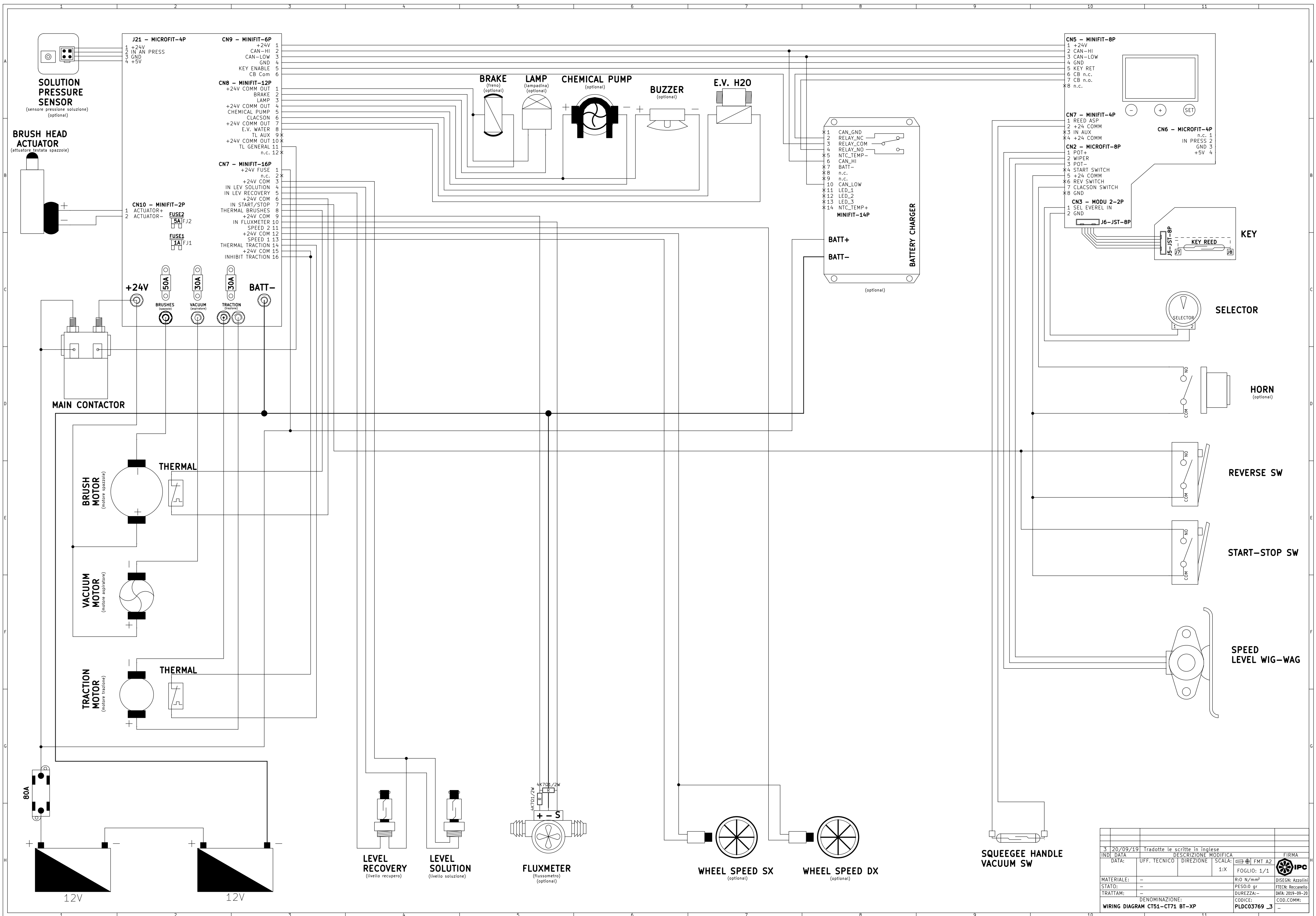
| Ref. K | Part N. | Part N. 2 | Description | Quantity | Validity | | Price |
|--------|-----------|-----------|-----------------------------------|----------|------------|------------|-------|
| | | | | | From | To | |
| 0001 | MPVR06525 | | POIGNEE GRIP CT51 | 1,00 | | | -- |
| 0002 | MPVR06528 | | SUPPORT - | 1,00 | | | -- |
| 0003 | MPVR07177 | | SUPPORT - | 1,00 | | | -- |
| 0004 | MPVR06526 | | LEVIER DIRECTION CT51-71 | 1,00 | | | -- |
| 0005 | MPVR10694 | | BOUCHON | 1,00 | | | -- |
| 0006 | MPVR10744 | | COUVERTURE UPPER CT51-71 | 1,00 | | | -- |
| 0007 | MPVR06527 | | POIGNEE DIALER SELECTOR CT51-71 | 1,00 | | | -- |
| 0008 | MECE00743 | | FICHE KEY READER CT51-71 | 1,00 | | 23/07/2018 | -- |
| 0008 | MECE00804 | | FICHE KEY READER CT51-71 BT-XP | 1,00 | 24/07/2018 | | -- |
| 0009 | MECI00587 | | SELECTEUR DIALER SWITCH CT51-71 | 1,00 | | | -- |
| 0010 | LAFN10998 | | DOUILLE - | 4,00 | | | -- |
| 0011 | MPVR11640 | | COUVERTURE CT51 | 1,00 | | | -- |
| 0012 | VTRS13946 | | RONDELLE D. 8 X24 INX UNI 6593 | 4,00 | | | -- |
| 0013 | VTVT01427 | | VIS STS KN1038 8x25 - T40 A2 | 4,00 | | | -- |
| 0014 | MPVR11198 | | ENTRETOISE CT51/71 | 1,00 | | | -- |
| 0015 | VTVT00813 | | VIS M 4X 8 TCB-TC UNI 8112 | 4,00 | | | -- |
| 0016 | VTRS00291 | | RONDELLE D. 5 X20 ZC UNI 6593 | 2,00 | | | -- |
| 0017 | MECI00588 | | MICRO-INTERRUP. - | 2,00 | | | -- |
| 0018 | VTRS00581 | | RONDELLE D.2 | 4,00 | | | -- |
| 0019 | VTVT01592 | | VIS TC 2X12 | 4,00 | | | -- |
| 0020 | VTDD00213 | | ECROU M2 | 4,00 | | | -- |
| 0021 | MECB01938 | | CABLAGE CONNECTION RFID REED | 1,00 | | 23/07/2018 | -- |
| 0021 | MECB02058 | | CABLAGE CONNECTION REED CT51-71 | 1,00 | 24/07/2018 | | -- |
| 0022 | VTVT01694 | | VIS SELF TAPPING 4.8X9.5 SUS | 5,00 | | | -- |
| 0023 | MECE00745 | | FICHE DISPLAY CT51 BT-XP | 1,00 | | 23/07/2018 | -- |
| 0023 | MECE00810 | | FICHE DISPLAY CT51-71 BT-XP | 1,00 | 24/07/2018 | | -- |
| 0024 | MEVR02389 | | POTENTIOMETRE WIG-WAG 45° CT51 | 1,00 | | | -- |
| 0025 | VTVT37012 | | VIS M 4X 10 TCB-TC INX | 2,00 | | | -- |
| 0026 | VTVT01071 | | VIS STS KN1031-Neu 4x16 - H2 | 8,00 | | | -- |
| 0027 | MPVR10772 | | JOINT | 1,00 | | | -- |
| 0028 | VTRS15913 | | RONDELLE D. 4 GROVER A2 UNI1751 | 2,00 | | | -- |
| 0029 | LAFN35588 | | SUPPORT BATTERIE CT LINE | 1,00 | | | -- |
| 0030 | MEVR01079 | | GOUPILLE M CB50 A 600V RD. | 1,00 | | | -- |
| 0031 | VTRS00516 | | RONDELLE D. 5 INX | 4,00 | | | -- |
| 0032 | MEVR34820 | | CABLAGE BATTERY BRIDGE W/TERMINAL | 1,00 | | | -- |
| 0033 | VTVT01440 | | VIS | 4,00 | | | -- |
| 0034 | MEVR02391 | | CLES COMPLETE WITH RFID | 2,00 | | | -- |
| 0035 | MECE00811 | | FICHE TRACTION CT51-71 COMPLETE | 1,00 | | | -- |
| 0036 | MECB01919 | | CABLAGE MAIN HARNESS CT51 | 1,00 | | | -- |
| 0037 | LAFN11075 | | BRIDE - | 1,00 | | | -- |
| 0038 | VTRS00515 | | RONDELLE D. 4 INX | 4,00 | | | -- |
| 0039 | METT00085 | | TELERUPTEUR 100A | 1,00 | | | -- |
| 0040 | VTVT01070 | | VIS TSTC M3X8 | 2,00 | | | -- |
| 0041 | MECI00626 | | CAPTEUR SQUEEGEE POSIT. CT51 | 1,00 | | | -- |



| Ref. K | Part N. | Part N. 2 | Description | Quantity | Validity | | Price |
|--------|-----------|-----------|-----------------------------------|----------|----------|----|-------|
| | | | | | From | To | |
| 0042 | MEVR02381 | | MAGNET SQUEEGEE LEVER CT51 | 1,00 | | | -- |
| 0043 | VTVT17357 | | VIS TSP-TC 3.9X16 UNI6955 | 1,00 | | | -- |
| 0044 | MPVR06467 | | COUVERCLE BATTERY CHARGER CT51-71 | 1,00 | | | -- |
| 0045 | VTRS00017 | | RONDELLE ACCIAIO INOX 4X12 | 2,00 | | | -- |
| 0046 | VTVT00021 | | VIS TE UNI 5739 3X25 ZB | 2,00 | | | -- |
| 0047 | VTVT00522 | | VIS TCB-TC 2.9X 9.5 UNI6954 | 1,00 | | | -- |
| 0048 | VTDD00210 | | ECROU M 3 AUTOBL.DIN 985 IX.A2 | 4,00 | | | -- |
| 0049 | VTVT01072 | | VIS STS KN1038 5x16 - T20 A2 | 4,00 | | | -- |
| 0050 | MPVR10701 | | CAOUTCHOUC KEY HOLD CT51 | 1,00 | | | -- |
| 0051 | VTVT48694 | | VIS TCB TC 5 X12 UNI 9707 TZ | 2,00 | | | -- |
| 0052 | MEVR02097 | | SD-CARD - | 1,00 | | | -- |
| 0053 | MECB01981 | | CABLAGE BRIDGE CT51 W/O CHARGER | 1,00 | | | -- |
| 0054 | MPVR11496 | | CORDE - | 1,00 | | | -- |
| 0055 | MECB02017 | | CABLAGE | 1,00 | | | -- |
| 0056 | VTDD01693 | | ECROU M 5 INX | 8,00 | | | -- |
| 0057 | VTRS00570 | | RONDELLE - | 5,00 | | | -- |
| 0058 | VTVT01669 | | VIS M4x6 UNI5739 znt cl.4.8 | 2,00 | | | -- |
| 0059 | MECB02024 | | CABLAGE BRUSH MOTOR THERMAL CON. | 1,00 | | | -- |



| Ref. K | Part N. | Part N. 2 | Description | Quantity | Validity | | Price |
|--------|-----------|-----------|------------------------------------|----------|----------|----|-------|
| | | | | | From | To | |
| 0001 | MECE00812 | | FICHE TRACTION CT51-71 RULLI | 1,00 | | | -- |
| 0002 | MPVR06501 | | ENTRETOISE | 5,00 | | | -- |
| 0003 | LAFN01298 | | ENTRETOISE PLASTIC 10X5,5X15 | 3,00 | | | -- |
| 0004 | MPVR11447 | | COUVERTURE ELECTRONIC BOARD CT51BT | 1,00 | | | -- |
| 0005 | MPVR11448 | | COUVERCLE PLASTIC FUSE BOX CT51 | 1,00 | | | -- |
| 0006 | MEVR01153 | | FUSIBLE EXTRACTOR | 1,00 | | | -- |
| 0007 | VTRS00516 | | RONDELLE D. 5 INX | 8,00 | | | -- |
| 0008 | VTDD00209 | | ECROU M5 LOW UNI5589 | 8,00 | | | -- |
| 0009 | MEVR02105 | | FUSIBLE 50A OMEGA FT3050 | 1,00 | | | -- |
| 0010 | MEVR02104 | | FUSIBLE 30A OMEGA FT3030 | 2,00 | | | -- |
| 0011 | MEVR00565 | | FUSIBLE 5A | 1,00 | | | -- |
| 0012 | MEVR00563 | | FUSIBLE 1A | 1,00 | | | -- |



| | | | | |
|--------------------------------|----------|--------------------------------|-------------------|-------|
| INDI | DATA | DESCRIZIONE | MODIFICA | FIRMA |
| 3 | 20/09/19 | Tradotte le scritte in inglese | | |
| MATERIALE: | - | R:0 N/mm ² | DISEGN: Azzolini | |
| STATO: | - | PESO:0 gr | FIECN: Reccanello | |
| TRATTAM: | - | DUREZZA:- | DATA: 2019-09-20 | |
| DENOMINAZIONE: | | CODICE: | COD.COMM: | |
| WIRING DIAGRAM CT51-CT71 BT-XP | | PLDC03769_3 | - | |