

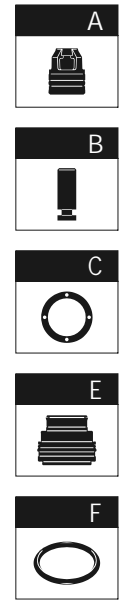
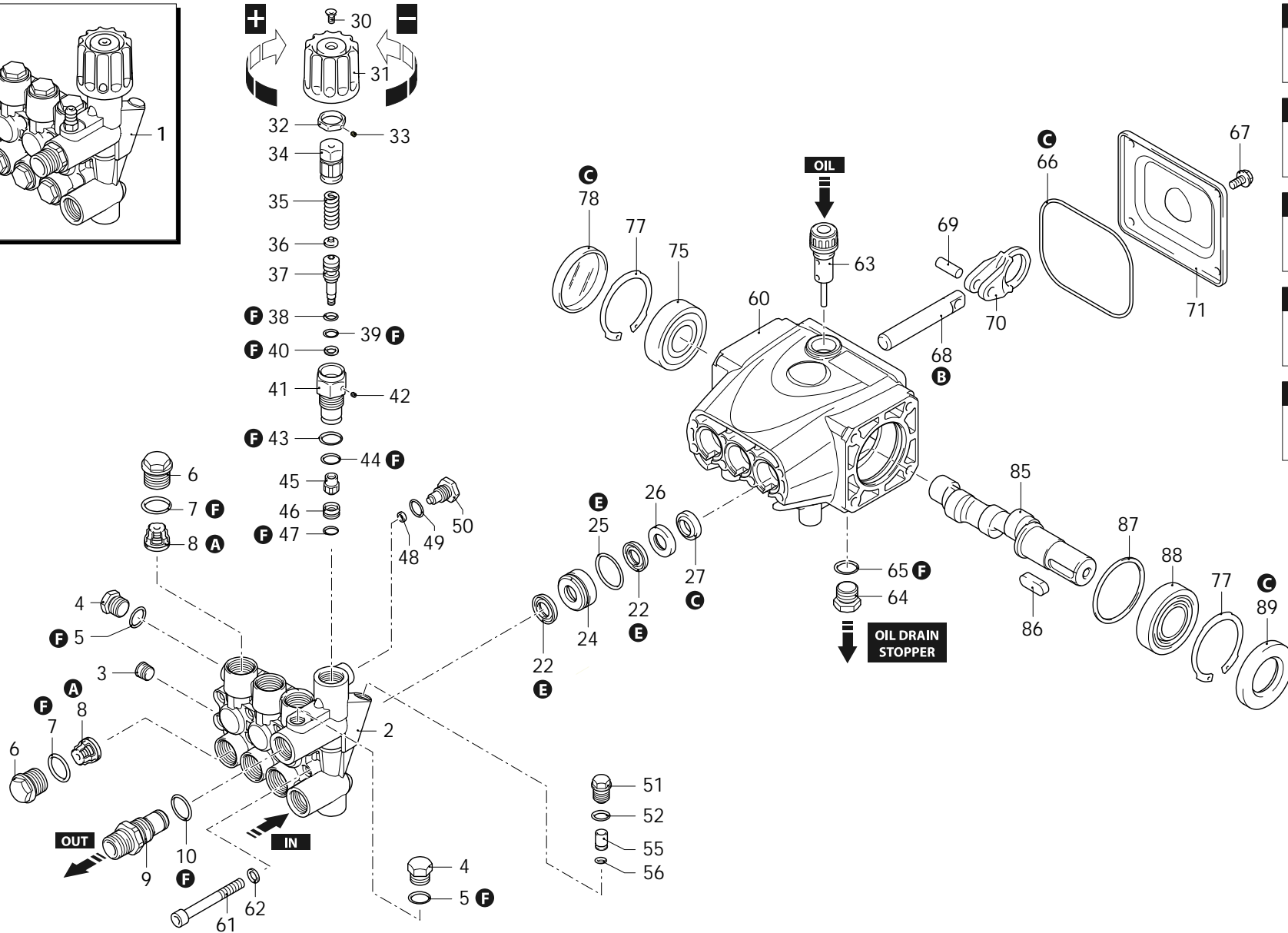
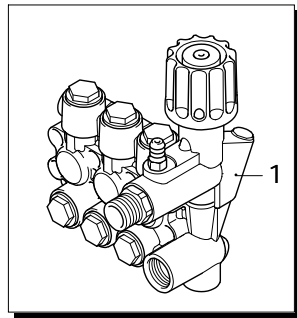


Series 414  
JRA-M

N

1750rpm

ø 24mm



AR\_s414-07\_012

06/03/2026



Series 414

JRA-M

N

1750rpm

ø 24mm

P	Code	Description	Q	Assembly prescription	Validity	P	Code	Description	Q	Assembly prescription	Validity
1	4149203	Head assembly	Ø 12	1		55	3721210	Seat	1		
2	4140650	Head		1		56	3720750	O-ring	Ø 4x1	1	
3	2760260	Plug	1/4" G	1	Loxeal 55-14	60	4140010	Pump body		1	
4	2841800	Plug		2	C=8Nm / Loxeal 55-14	61	1345180	Screw	TCEI M5x40	8	C=6,2Nm
5	3700250	O-ring	Ø 8x1,1	2	Lubricate with grease Molykote PG54 / 80 Sha	62	4140140	Washer		8	
6	2840130	Plug		6	C=25Nm / Loxeal 55-14	63	4140210	Oil plug	with oil dipstick	1	
7	2841520	O-ring	Ø 13,5x1,8	6		64	2841800	Plug		1	C=8Nm / Loxeal 55-14
8	2849051	Complete valve	plastic	6		65	3700250	O-ring	Ø 8x1,1	1	Lubricate with grease Molykote PG54 / 80 Sha
9	3201140	Fitting	3/8" G (M)	1	C=40Nm / Loxeal 55-14	66	4140090	O-ring		1	
10	394280	O-ring	Ø 12,42x1,78	1	Lubricate with grease Molykote PG54	67	4140270	Screw	TE 5x8	4	
22	2200141	Water seal	Ø 12	6		68	4140060	Piston	Ø 12	3	
24	2840550	Bushing	Ø 12	3		69	4140070	Pin		3	
25	770590	O-ring	Ø 21,95x1,78	3	Lubricate with grease Molykote PG54	70	4140080	Connecting-rod	aluminium	3	Lubricate with grease Molykote BR2 PLUS
26	2841390	Bushing	rear Ø 12	3		71	4140030	Cover		1	
27	1683500	Oil seal		3		75	4140110	Bearing		1	
30	3800250	Screw	TSEI M4x8	1	C=3Nm / Loxeal 55-14	77	4140360	Ring	seeger Øi 47	2	
31	3800180	Knob		1		78	4140150	Cover		1	
32	5080350	Nut	M16x1	1		85	4140330	Shaft	5 marked	1	
33	3800240	Screw	STEI M3x4	1		86	1380520	Key		1	
34	3800190	Screw		1		87	4140190	Ring		1	
35	2760410	Spring		1	Lubricate with grease Molykote BR2 PLUS	88	4140100	Bearing		1	
36	1980220	Wobble plate		1		89	4140200	Oil seal		1	
37	4140170	Piston		1	Lubricate with grease Molykote PG54	A	43478	Valve kit		1	
38	2260100	O-ring	Ø 6,02x2,62	1	Lubricate with grease Molykote PG54	B	43479	Piston kit	Ø 12	1	
39	660190	O-ring	Ø 6,07x1,78	1	Lubricate with grease Molykote PG54	C	43480	Oil seal kit		1	
40	2760210	Ring	anti-extrusion	1		E	43481	Water seal kit	Ø 12	1	
41	3800210	Piston guide		1	C=15Nm / Loxeal 55-14	F	43482	Gasket kit		1	
42	3800310	Screw	STEI M4X4	1	Loxeal 55-14						
43	740290	O-ring	Ø 14x1,78	1	Lubricate with grease Molykote PG54						
44	820510	O-ring	Ø 10,82x1,78	1							
45	3800230	Piston	lower	1	C=3Nm / Loxeal 55-14						
46	2841080	Seat		1							
47	1470210	O-ring	Ø 9x1	1							
48	1120681	O-ring	Ø 3,39x1,78	1	Lubricate with grease Molykote G807						
49	600180	O-ring	Ø 7,66x1,78	1							
50	1344950	Plug		1	C=8Nm						
51	3720730	Plug		1							
52	1682800	O-ring	Ø 6x1,5	1							

Revision: 1

Oil type: SAE 15W40

Validity: &lt; XX/YY = From week/year

Date: 06/03/2026

Oil quantity: 0,154 Kg

C= Tightening torque (Tolerance +0 ÷ -10%)

\* = Not present for electric pump

25952 - JRA-M 1G15N