

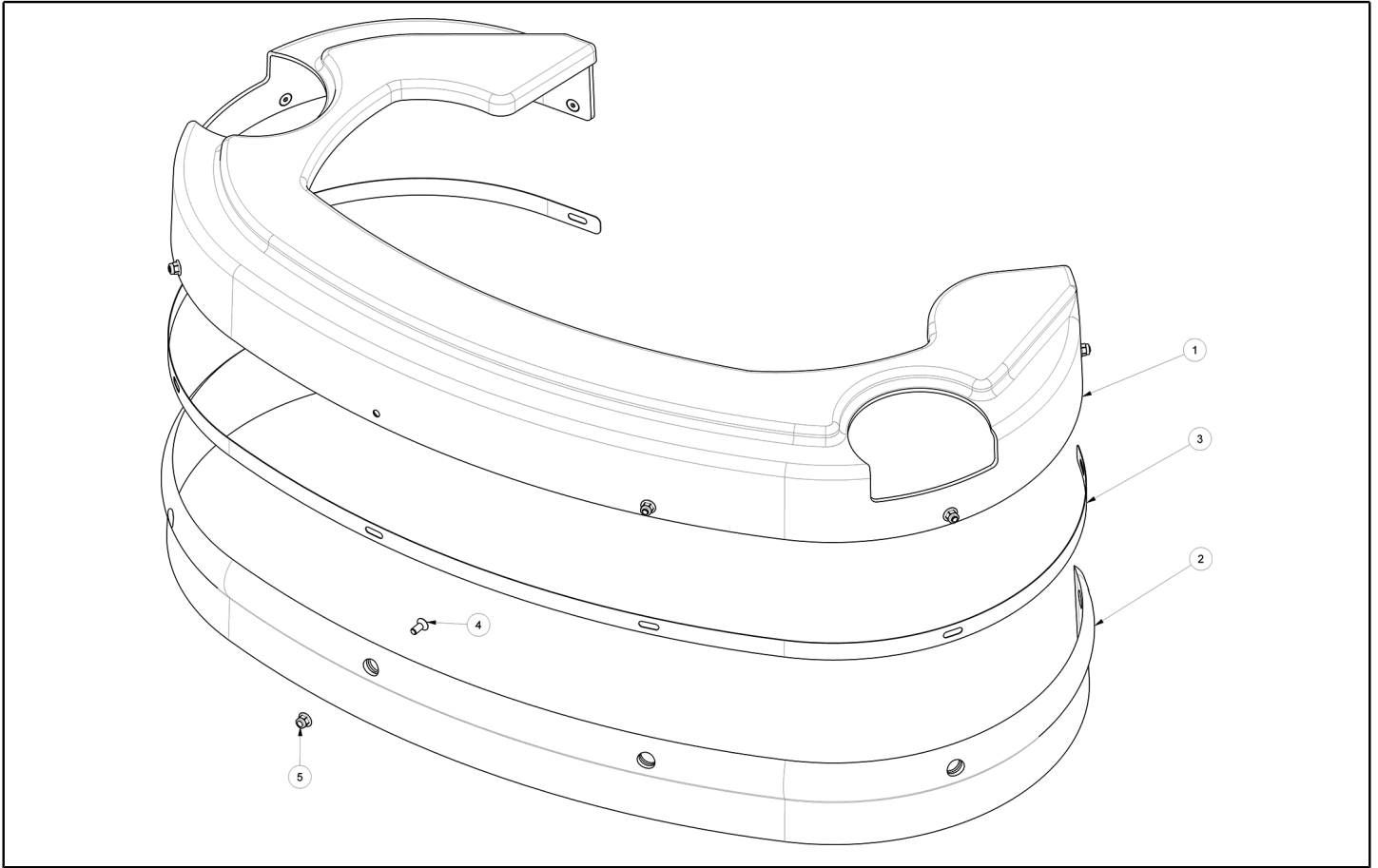


**IPC**

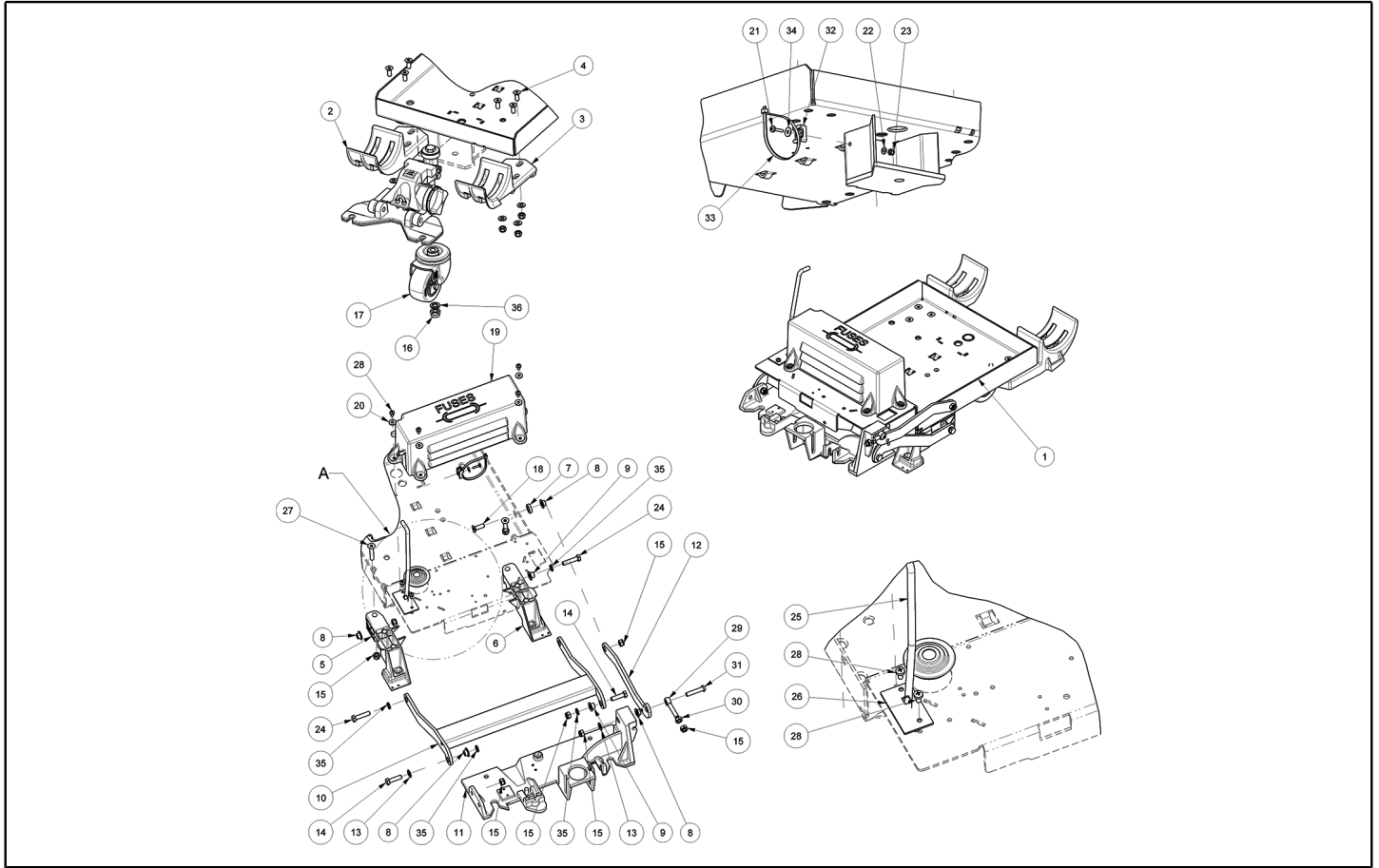
**Spare parts list**

Ref: LPTB03046

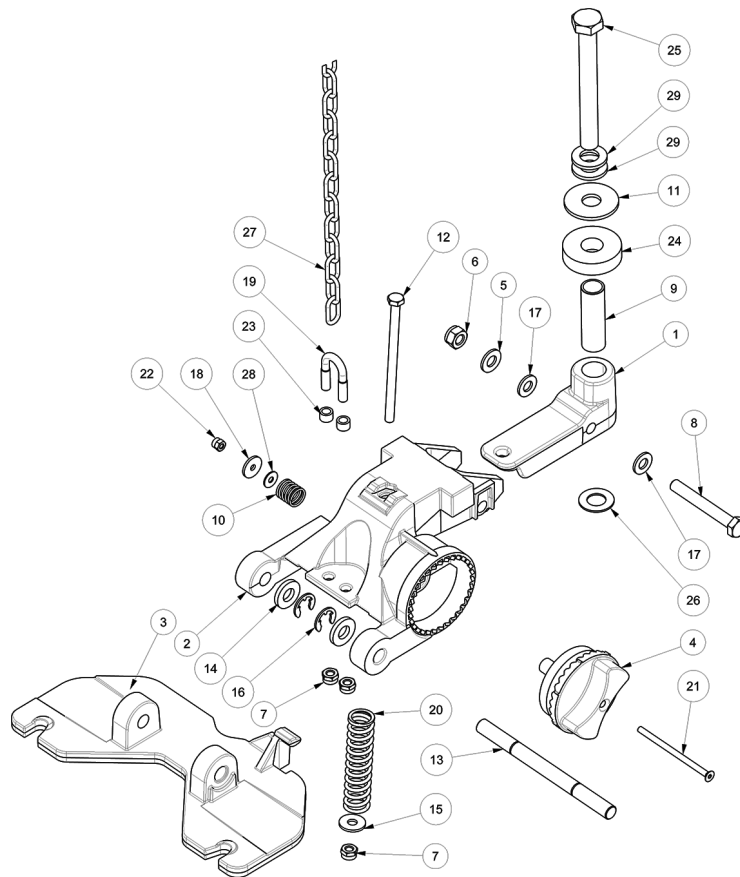
Model: LAVEUSE P.SOLS CT71 XP70+CB+BAT+CD+SG+TL



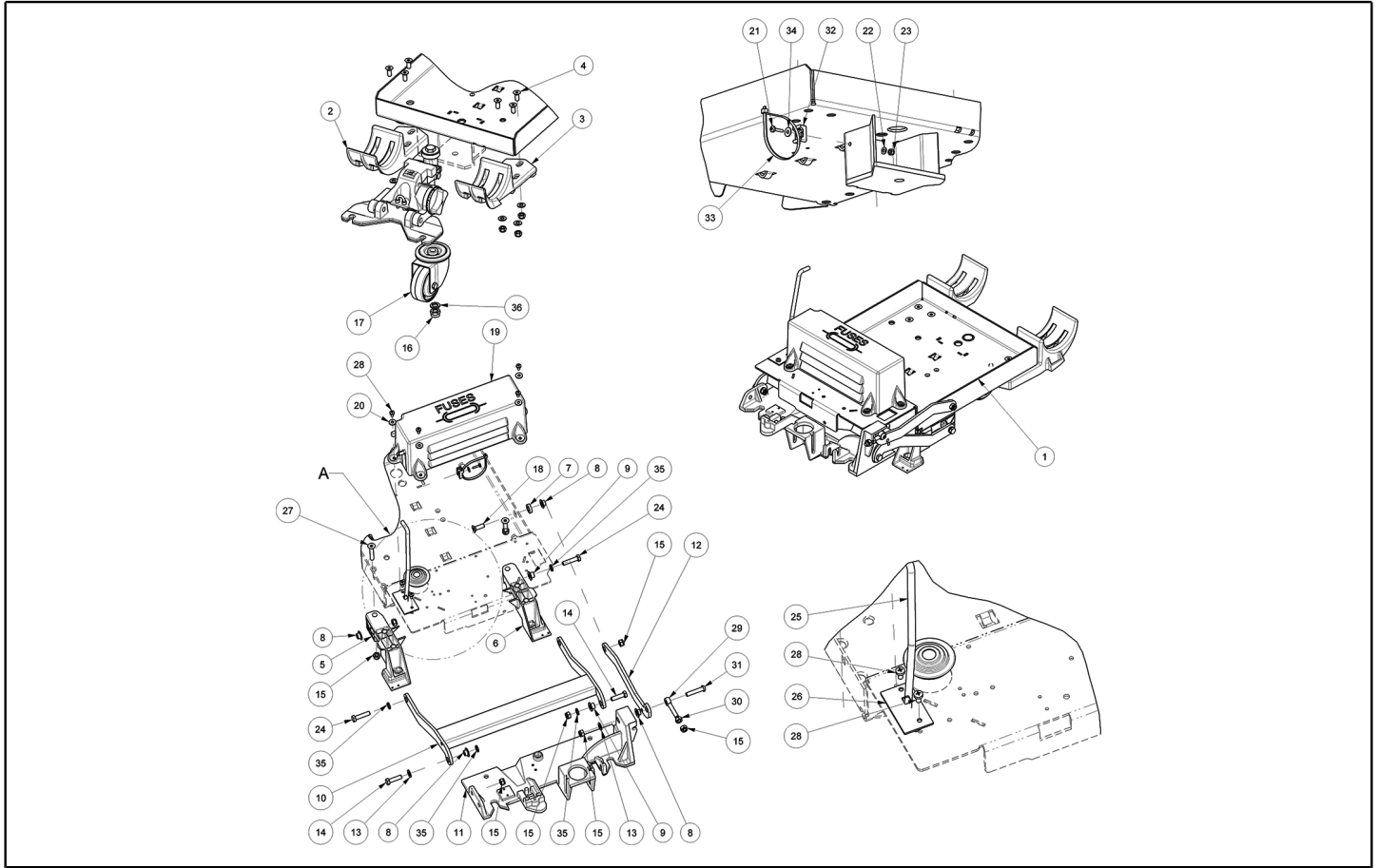
| Ref. K | Part n.   | Part n. 2 | Description                    | Quantity | Validity |    | Price |
|--------|-----------|-----------|--------------------------------|----------|----------|----|-------|
|        |           |           |                                |          | From     | To |       |
| 0001   | MPVR11906 |           | SUPPORT FLAP PS CT51 B70       | 1,00     |          |    | --    |
| 0002   | MPVR11927 |           | CAOUTCHOUC GARDE-BOUE CT51 B70 | 1,00     |          |    | --    |
| 0003   | LAFN11272 |           | TOLE GARDE-BOUE CT51 B70       | 1,00     |          |    | --    |
| 0004   | VTVT01317 |           | VIS M 5X 12 TSPEI UNI 5933     | 7,00     |          |    | --    |
| 0005   | VTDD00531 |           | ECROU M5 DIN6926 INOX          | 7,00     |          |    | --    |



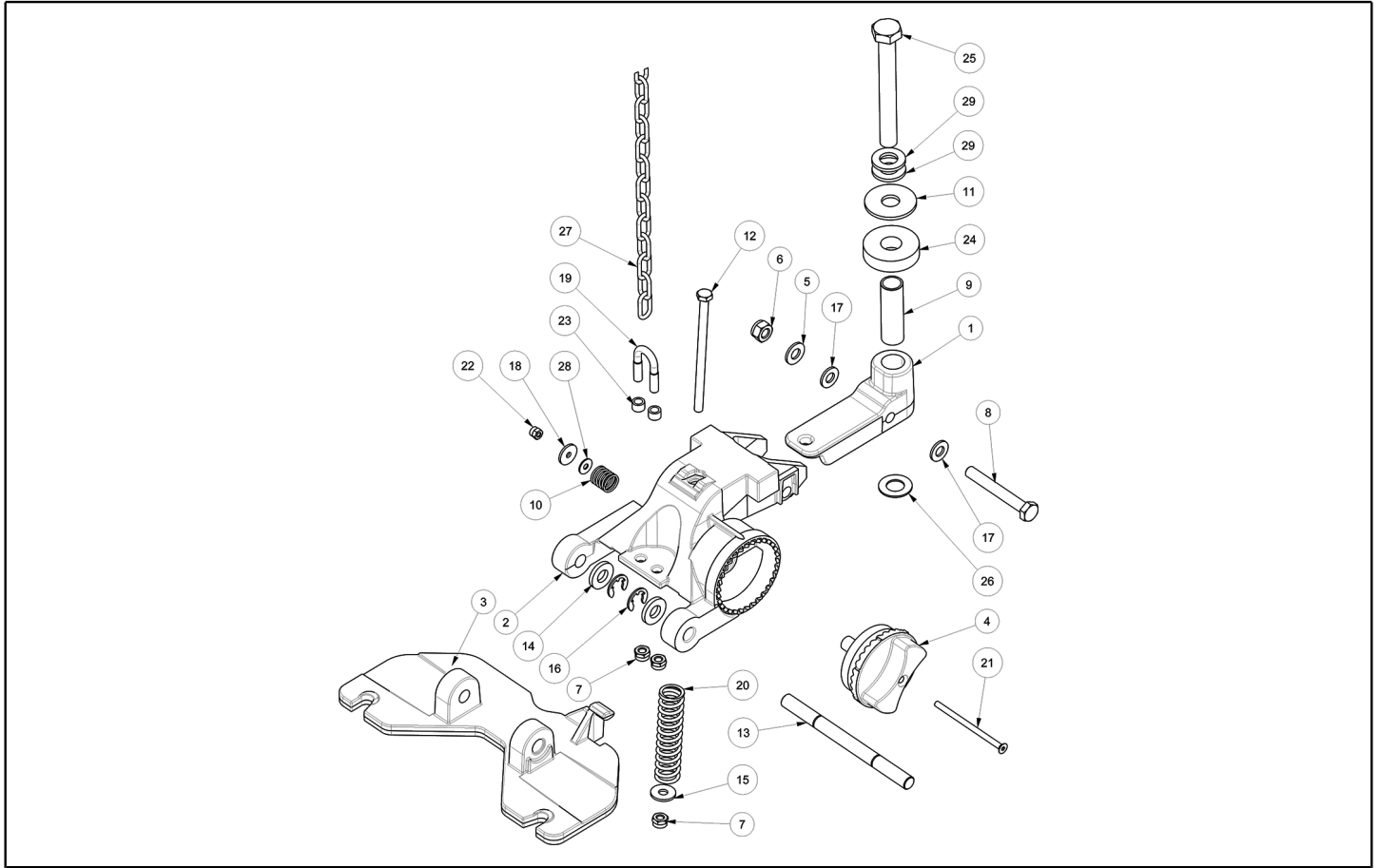
| Ref. K | Part n.   | Part n. 2 | Description                            | Quantity | Validity |    | Price |
|--------|-----------|-----------|--|----------|----------|----|-------|
|        |           |           |  |          | From     | To |       |
| 0001   | LAFN09477 |           | CHASSIS CT50/70                        | 1,00     |          |    | --    |
| 0002   | MFVR00286 |           | SUPPORT -                              | 1,00     |          |    | --    |
| 0003   | MFVR00287 |           | SUPPORT -                              | 1,00     |          |    | --    |
| 0004   | VTVT01352 |           | VIS TSPEI M8X20                        | 6,00     |          |    | --    |
| 0005   | MFVR00283 |           | SUPPORT -                              | 1,00     |          |    | --    |
| 0006   | MFVR00284 |           | SUPPORT -                              | 1,00     |          |    | --    |
| 0007   | LAFN11009 |           | ENTRETOISE -                           | 1,00     |          |    | --    |
| 0008   | LAFN06391 |           | DOUILLE BRUSH DECK SUPPORT             | 4,00     |          |    | --    |
| 0009   | LAFN10998 |           | DOUILLE -                              | 2,00     |          |    | --    |
| 0010   | LAFN09420 |           | BRAS -                                 | 1,00     |          |    | --    |
| 0011   | MFVR00240 |           | BRIDE BRUSH HEAD SUPPORT CT51          | 1,00     |          |    | --    |
| 0012   | LAFN09421 |           | LEVIER -                               | 1,00     |          |    | --    |
| 0013   | VTRS13947 |           | RONDELLE D. 8 INX UNI 6592             | 8,00     |          |    | --    |
| 0014   | VTVT00140 |           | VIS TE M8x30                           | 2,00     |          |    | --    |
| 0015   | VTDD01701 |           | ECROU M8 INOX+ZIN.                     | 15,00    |          |    | --    |
| 0016   | VTDD00176 |           | ECROU M.12 INOX A2 BASSO AUTOB.        | 1,00     |          |    | --    |
| 0017   | RTRT00689 |           | ROUE TOURNANTE D.80X40 GREYTHANE 75SHA | 1,00     |          |    | --    |
| 0018   | VTVT00781 |           | VIS TSPEI M.8-25                       | 1,00     |          |    | --    |
| 0019   | MPVR06505 |           | COUVERTURE ELECTRONIC BOX CT51         | 1,00     |          |    | --    |
| 0020   | VTRS13750 |           | RONDELLE D. 5X14 INX                   | 4,00     |          |    | --    |
| 0021   | VTVT01366 |           | VIS M4X16                              | 1,00     |          |    | --    |
| 0022   | VTRS00515 |           | RONDELLE D. 4 INX                      | 1,00     |          |    | --    |
| 0023   | VTDD00055 |           | ECROU M 4 ATB A2                       | 1,00     |          |    | --    |
| 0024   | VTVT00017 |           | VIS TE UNI 5739 8X35 ZB                | 2,00     |          |    | --    |
| 0025   | LAFN11014 |           | PIVOT -                                | 1,00     |          |    | --    |
| 0026   | LAFN11077 |           | PLAQUE -                               | 1,00     |          |    | --    |
| 0027   | VTVT01322 |           | VIS TSPEI 8X45 UNI5933 INX             | 2,00     |          |    | --    |
| 0028   | VTVT01297 |           | VIS M 4X 8 TCB-TC UNI 8112             | 6,00     |          |    | --    |
| 0029   | VTVR00335 |           | TIRANT -                               | 1,00     |          |    | --    |
| 0030   | VTDD15521 |           | ECROU M 8 INX A2 UNI 5588              | 1,00     |          |    | --    |
| 0031   | VTVT01431 |           | VIS M8X40                              | 1,00     |          |    | --    |
| 0032   | MPVR10765 |           | SUPPORT FOR CLAMP                      | 1,00     |          |    | --    |
| 0033   | FSVR00049 |           | COLLIER 4,5x200 black                  | 1,00     |          |    | --    |
| 0034   | VTRS00017 |           | RONDELLE ACCIAIO INOX 4X12             | 1,00     |          |    | --    |
| 0035   | VTRS15146 |           | RONDELLE GROVER A2 UNI1751             | 4,00     |          |    | --    |
| 0036   | VTRS15919 |           | RONDELLE D.12 GROVER UNI 1751 INX      | 1,00     |          |    | --    |



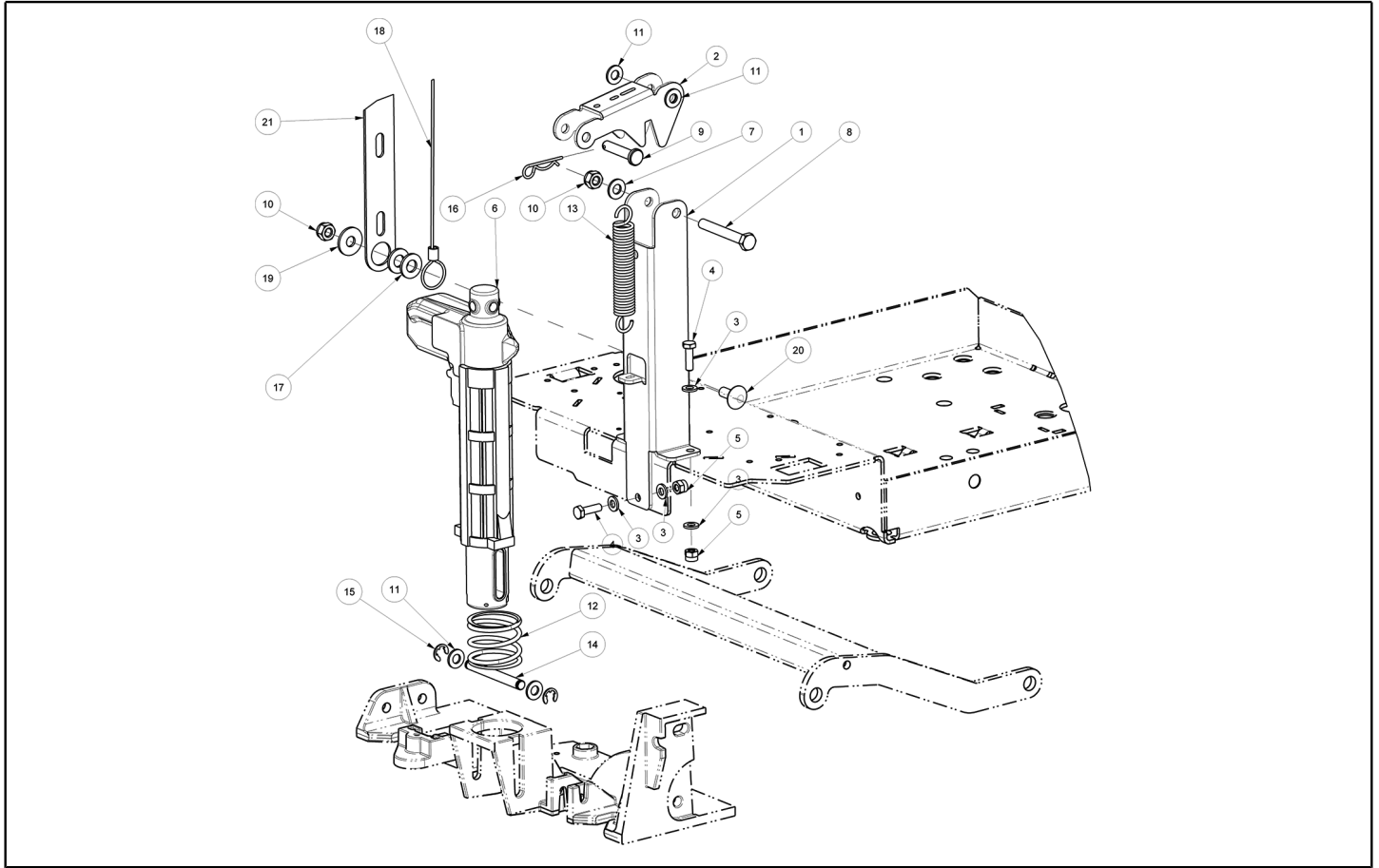
| Ref. K | Part n.   | Part n. 2 | Description                       | Quantity | Validity   |            | Price |
|--------|-----------|-----------|-----------------------------------|----------|------------|------------|-------|
|        |           |           |                                   |          | From       | To         |       |
| 0001   | MFVR00235 |           | SUPPORT PIVOT SQUEEGEE CT51-71    | 1,00     |            |            | --    |
| 0002   | MFVR00236 |           | SUPPORT REGULATION SQUEEGEE CT51  | 1,00     |            |            | --    |
| 0003   | MFVR00237 |           | SUPPORT SQUEEGEE CT51             | 1,00     |            |            | --    |
| 0004   | MPVR06468 |           | POIGNEE SQUEEGEE ANGLE ADJUSTMENT | 1,00     |            |            | --    |
| 0005   | VTRS13947 |           | RONDELLE D. 8 INX UNI 6592        | 1,00     |            |            | --    |
| 0006   | VTDD01695 |           | ECROU M 8 INX                     | 1,00     |            |            | --    |
| 0007   | VTDD01694 |           | ECROU M6 INOX                     | 3,00     |            |            | --    |
| 0008   | VTVT01009 |           | VIS 8X60                          | 1,00     |            |            | --    |
| 0009   | LAFN09439 |           | DOUILLE 13X16X51                  | 1,00     |            |            | --    |
| 0010   | MLML00491 |           | RESSORT SQUEEGEE KNOB             | 1,00     |            |            | --    |
| 0011   | VTRS09142 |           | RONDELLE UNI 6593 12X36X2,5       | 1,00     |            |            | --    |
| 0012   | VTVT01437 |           | VIS TE M6x100                     | 1,00     |            |            | --    |
| 0013   | LAFN09417 |           | PIVOT FOR SQUEEGEE SUPPORT CT51   | 1,00     |            |            | --    |
| 0014   | VTRS00382 |           | RONDELLE -                        | 2,00     |            |            | --    |
| 0015   | VTRS13945 |           | RONDELLE D. 6X18 INX UNI 6593     | 1,00     |            |            | --    |
| 0016   | VTAE00012 |           | SEEGER RADIALE UNI 7434 D.10      | 2,00     |            |            | --    |
| 0017   | VTRS00274 |           | RONDELLE NYLON 66 D 8,4-17-2 UNI  | 2,00     |            |            | --    |
| 0018   | VTRS00251 |           | RONDELLE 4-16 INOX A2             | 1,00     |            |            | --    |
| 0019   | LAFN09231 |           | BRIDE M6X11X29                    | 1,00     |            |            | --    |
| 0020   | MLML00490 |           | RESSORT -                         | 1,00     |            |            | --    |
| 0021   | VTVT01585 |           | VIS 4X70 UNI 5933                 | 1,00     |            |            | --    |
| 0022   | VTDD15925 |           | ECROU M 4 INX+ZN                  | 1,00     |            |            | --    |
| 0024   | MPVR06069 |           | RONDELLE 15X40                    | 1,00     |            |            | --    |
| 0025   | VTVT24212 |           | VIS TE M 12X100 UNI 5737 INOX     | 1,00     |            | 19/01/2020 | --    |
| 0025   | VTVT01503 |           | VIS M12X105 UNI5737 ZN 8.8        | 1,00     | 20/01/2020 |            | --    |
| 0026   | VTRS88000 |           | RONDELLE ELAST.ONDUL.DI 13        | 1,00     |            |            | --    |
| 0027   | MTCR00107 |           | CHAINE SQUEEGEE LIFTING CT51      | 1,00     |            |            | --    |
| 0028   | VTRS00017 |           | RONDELLE ACCIAIO INOX 4X12        | 1,00     | 23/05/2018 |            | --    |
| 0029   | VTRS15978 |           | RONDELLE D.12X24 UNI 6592 INX     | 2,00     | 20/01/2020 |            | --    |



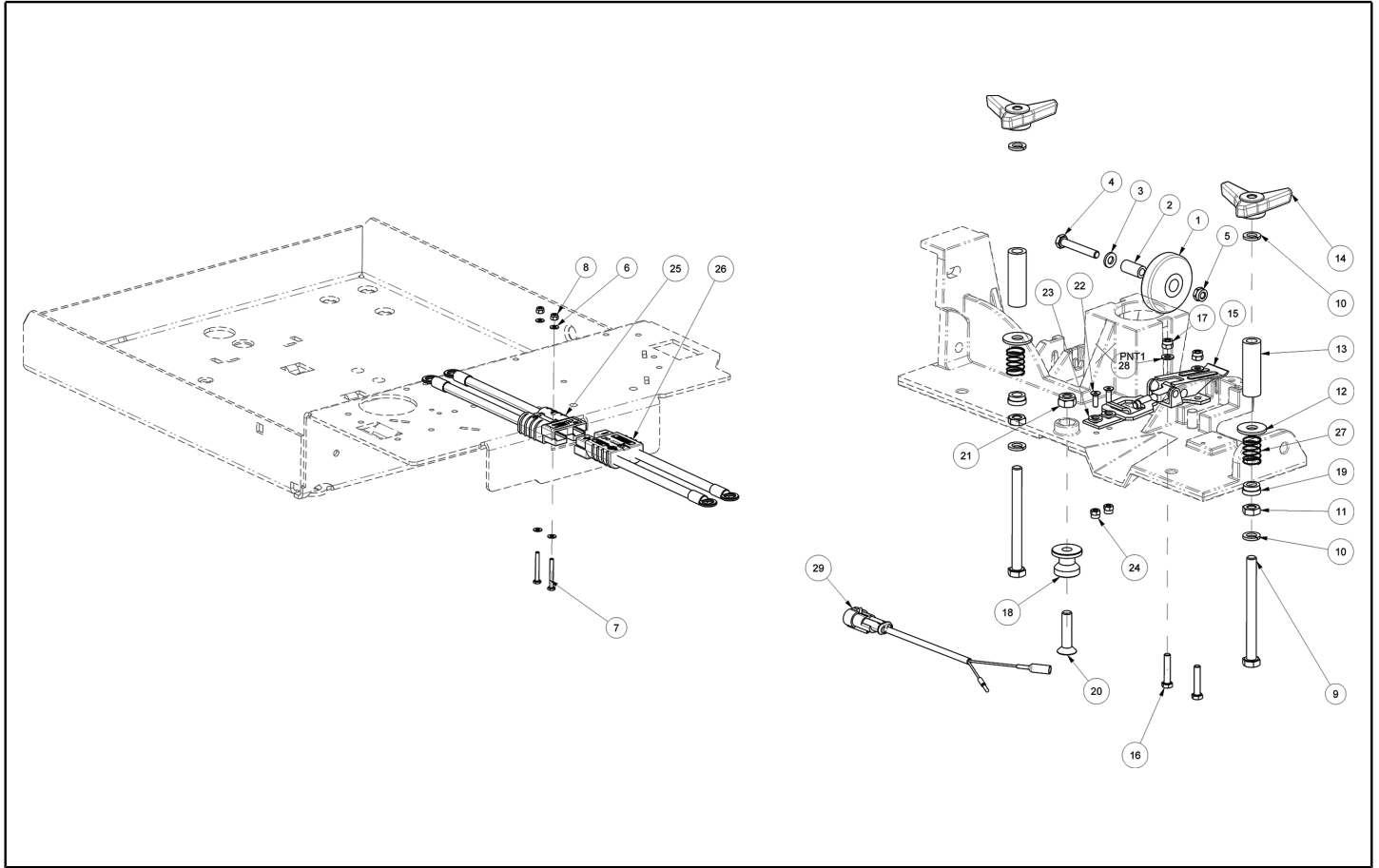
| Ref. K | Part n.   | Part n. 2 | Description                          | Quantity | Validity |    | Price |
|--------|-----------|-----------|--------------------------------------|----------|----------|----|-------|
|        |           |           |                                      |          | From     | To |       |
| 0001   | LAFN09477 |           | CHASSIS CT50/70                      | 1,00     |          |    | --    |
| 0002   | MFVR00286 |           | SUPPORT -                            | 1,00     |          |    | --    |
| 0003   | MFVR00287 |           | SUPPORT -                            | 1,00     |          |    | --    |
| 0004   | VTVT01352 |           | VIS TSPEI M8X20                      | 6,00     |          |    | --    |
| 0005   | MFVR00283 |           | SUPPORT -                            | 1,00     |          |    | --    |
| 0006   | MFVR00284 |           | SUPPORT -                            | 1,00     |          |    | --    |
| 0007   | VTRS15978 |           | RONDELLE D.12X24 UNI 6592 INX        | 1,00     |          |    | --    |
| 0008   | MLML00095 |           | RESSORTS DE DIS 12,2x25x0,9 DIN 2093 | 12,00    |          |    | --    |
| 0009   | LAFN10998 |           | DOUILLE -                            | 2,00     |          |    | --    |
| 0010   | LAFN09420 |           | BRAS -                               | 1,00     |          |    | --    |
| 0011   | MFVR00240 |           | BRIDE BRUSH HEAD SUPPORT CT51        | 1,00     |          |    | --    |
| 0012   | LAFN09421 |           | LEVIER -                             | 1,00     |          |    | --    |
| 0013   | VTRS13947 |           | RONDELLE D. 8 INX UNI 6592           | 8,00     |          |    | --    |
| 0014   | VTVT00140 |           | VIS TE M8x30                         | 2,00     |          |    | --    |
| 0015   | VTDD01701 |           | ECROU M8 INOX+ZIN.                   | 15,00    |          |    | --    |
| 0016   | VTDD00176 |           | ECROU M.12 INOX A2 BASSO AUTOB.      | 1,00     |          |    | --    |
| 0017   | RTRT00518 |           | ROUE CASTOR D.80X30                  | 1,00     |          |    | --    |
| 0018   | VTVT00781 |           | VIS TSPEI M.8-25                     | 1,00     |          |    | --    |
| 0019   | MPVR06505 |           | COUVERTURE ELECTRONIC BOX CT51       | 1,00     |          |    | --    |
| 0020   | VTRS13750 |           | RONDELLE D. 5X14 INX                 | 4,00     |          |    | --    |
| 0021   | VTVT01366 |           | VIS M4X16                            | 1,00     |          |    | --    |
| 0022   | VTRS00515 |           | RONDELLE D. 4 INX                    | 1,00     |          |    | --    |
| 0023   | VTDD00055 |           | ECROU M 4 ATB A2                     | 1,00     |          |    | --    |
| 0024   | VTVT00017 |           | VIS TE UNI 5739 8X35 ZB              | 2,00     |          |    | --    |
| 0025   | LAFN11014 |           | PIVOT -                              | 1,00     |          |    | --    |
| 0026   | LAFN11077 |           | PLAQUE -                             | 1,00     |          |    | --    |
| 0027   | VTVT01322 |           | VIS TSPEI 8X45 UNI5933 INX           | 2,00     |          |    | --    |
| 0028   | VTVT01297 |           | VIS M 4X 8 TCB-TC UNI 8112           | 6,00     |          |    | --    |
| 0029   | VTVR00335 |           | TIRANT -                             | 1,00     |          |    | --    |
| 0030   | VTDD15521 |           | ECROU M 8 INX A2 UNI 5588            | 1,00     |          |    | --    |
| 0031   | VTVT01431 |           | VIS M8X40                            | 1,00     |          |    | --    |
| 0032   | MPVR10765 |           | SUPPORT FOR CLAMP                    | 1,00     |          |    | --    |
| 0033   | FSVR00049 |           | COLLIER 4,5x200 black                | 1,00     |          |    | --    |
| 0034   | VTRS00017 |           | RONDELLE ACCIAIO INOX 4X12           | 1,00     |          |    | --    |
| 0035   | VTRS15146 |           | RONDELLE GROVER A2 UNI1751           | 4,00     |          |    | --    |
| 0036   | VTRS15919 |           | RONDELLE D.12 GROVER UNI 1751 INX    | 1,00     |          |    | --    |



| Ref. K | Part n.   | Part n. 2 | Description                       | Quantity | Validity   |            | Price |
|--------|-----------|-----------|-----------------------------------|----------|------------|------------|-------|
|        |           |           |                                   |          | From       | To         |       |
| 0001   | MFVR00235 |           | SUPPORT PIVOT SQUEEGEE CT51-71    | 1,00     |            |            | --    |
| 0002   | MFVR00236 |           | SUPPORT REGULATION SQUEEGEE CT51  | 1,00     |            |            | --    |
| 0003   | MFVR00237 |           | SUPPORT SQUEEGEE CT51             | 1,00     |            |            | --    |
| 0004   | MPVR06468 |           | POIGNEE SQUEEGEE ANGLE ADJUSTMENT | 1,00     |            |            | --    |
| 0005   | VTRS13947 |           | RONDELLE D. 8 INX UNI 6592        | 1,00     |            |            | --    |
| 0006   | VTDD01695 |           | ECROU M 8 INX                     | 1,00     |            |            | --    |
| 0007   | VTDD01694 |           | ECROU M6 INOX                     | 3,00     |            |            | --    |
| 0008   | VTVT01009 |           | VIS 8X60                          | 1,00     |            |            | --    |
| 0009   | LAFN09439 |           | DOUILLE 13X16X51                  | 1,00     |            |            | --    |
| 0010   | MLML00491 |           | RESSORT SQUEEGEE KNOB             | 1,00     |            |            | --    |
| 0011   | VTRS09142 |           | RONDELLE UNI 6593 12X36X2,5       | 1,00     |            |            | --    |
| 0012   | VTVT01437 |           | VIS TE M6x100                     | 1,00     |            |            | --    |
| 0013   | LAFN09417 |           | PIVOT FOR SQUEEGEE SUPPORT CT51   | 1,00     |            |            | --    |
| 0014   | VTRS00382 |           | RONDELLE -                        | 2,00     |            |            | --    |
| 0015   | VTRS13945 |           | RONDELLE D. 6X18 INX UNI 6593     | 1,00     |            |            | --    |
| 0016   | VTAE00012 |           | SEEGER RADIALE UNI 7434 D.10      | 2,00     |            |            | --    |
| 0017   | VTRS00274 |           | RONDELLE NYLON 66 D 8,4-17-2 UNI  | 2,00     |            |            | --    |
| 0018   | VTRS00251 |           | RONDELLE 4-16 INOX A2             | 1,00     |            |            | --    |
| 0019   | LAFN09231 |           | BRIDE M6X11X29                    | 1,00     |            |            | --    |
| 0020   | MLML00490 |           | RESSORT -                         | 1,00     |            |            | --    |
| 0021   | VTVT01585 |           | VIS 4X70 UNI 5933                 | 1,00     |            |            | --    |
| 0022   | VTDD15925 |           | ECROU M 4 INX+ZN                  | 1,00     |            |            | --    |
| 0024   | MPVR06069 |           | RONDELLE 15X40                    | 1,00     |            |            | --    |
| 0025   | VTVT00305 |           | VIS HEX HEAD M12 UNI5737 8.8      | 1,00     |            | 19/01/2020 | --    |
| 0025   | VTVT01502 |           | VIS M12X100 UNI5737 ZN 8.8        | 1,00     | 20/01/2020 |            | --    |
| 0026   | VTRS88000 |           | RONDELLE ELAST.ONDUL.DI 13        | 1,00     |            |            | --    |
| 0027   | MTCR00107 |           | CHAINE SQUEEGEE LIFTING CT51      | 1,00     |            |            | --    |
| 0028   | VTRS00017 |           | RONDELLE ACCIAIO INOX 4X12        | 1,00     | 23/05/2018 |            | --    |
| 0029   | VTRS15978 |           | RONDELLE D.12X24 UNI 6592 INX     | 2,00     | 20/01/2020 |            | --    |

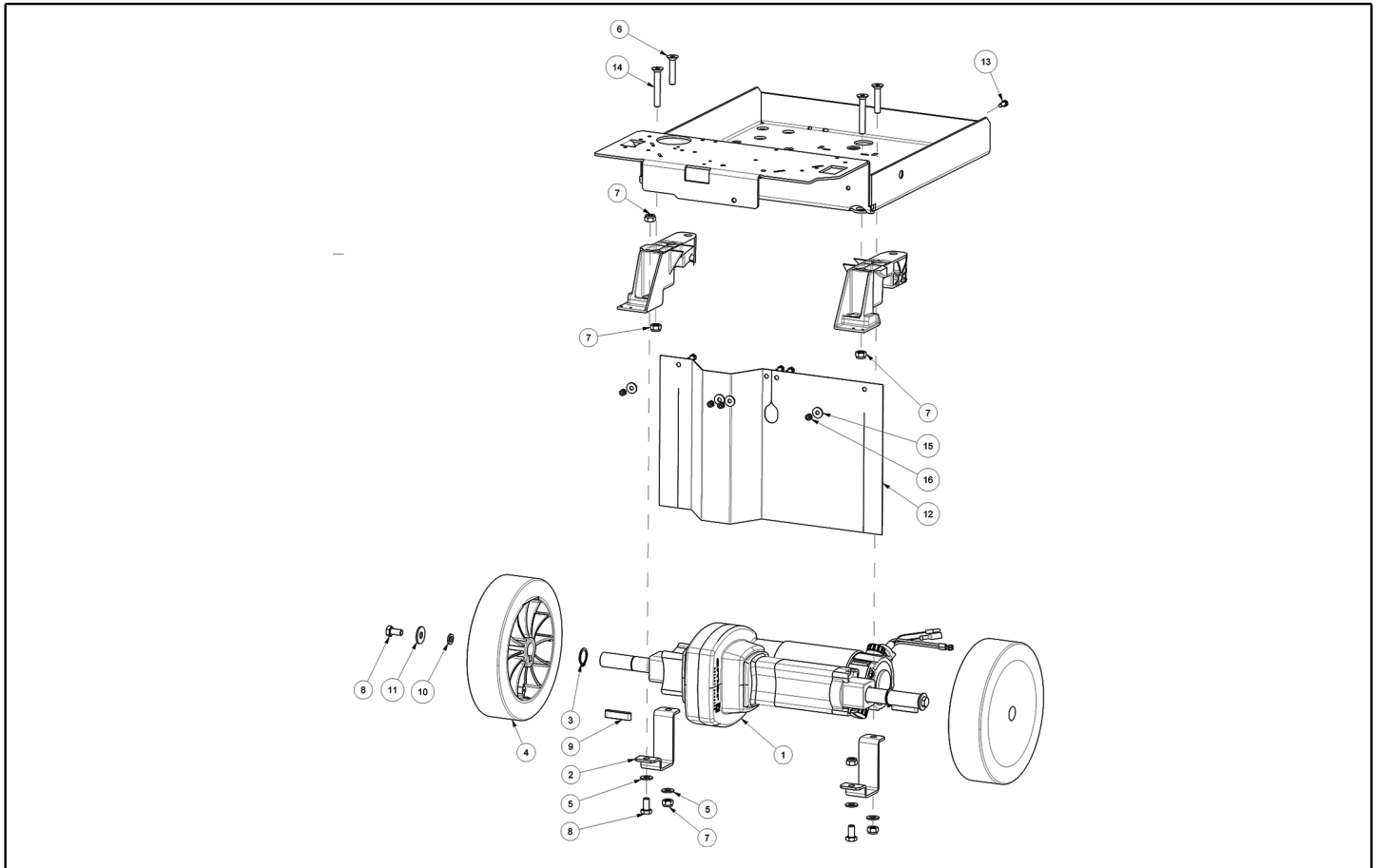


| Ref. K | Part n.   | Part n. 2 | Description                      | Quantity | Validity |    | Price |
|--------|-----------|-----------|----------------------------------|----------|----------|----|-------|
|        |           |           |                                  |          | From     | To |       |
| 0001   | LAFN09431 |           | BRIDE -                          | 1,00     |          |    | --    |
| 0002   | LAFN11042 |           | LEVIER -                         | 1,00     |          |    | --    |
| 0003   | VTRS00245 |           | RONDELLE D.6 UNI 6592 INOX       | 6,00     |          |    | --    |
| 0004   | VTVT13939 |           | VIS TE 6X20 UNI5739 INX          | 3,00     |          |    | --    |
| 0005   | VTDD15518 |           | ECROU M 6 INX                    | 3,00     |          |    | --    |
| 0006   | MOCC00448 |           | VERIN CT51-71 XP                 | 1,00     |          |    | --    |
| 0007   | VTRS13947 |           | RONDELLE D. 8 INX UNI 6592       | 1,00     |          |    | --    |
| 0008   | VTVT01009 |           | VIS 8X60                         | 1,00     |          |    | --    |
| 0009   | VTVR00634 |           | PIVOT 8X40X2                     | 1,00     |          |    | --    |
| 0010   | VTDD01695 |           | ECROU M 8 INX                    | 2,00     |          |    | --    |
| 0011   | VTRS00274 |           | RONDELLE NYLON 66 D.8,4-17-2 UNI | 4,00     |          |    | --    |
| 0012   | MLML00349 |           | RESSORT -                        | 1,00     |          |    | --    |
| 0013   | MLML00479 |           | RESSORT -                        | 1,00     |          |    | --    |
| 0014   | LAFN11051 |           | PIVOT ACTUATOR BRUSH HEAD CT51   | 1,00     |          |    | --    |
| 0015   | VTAE00013 |           | SEEGER RADIALE UNI 7434 D.8      | 2,00     |          |    | --    |
| 0016   | VTVR47052 |           | GOUPILLE AR DIAM.FILO 2          | 1,00     |          |    | --    |
| 0017   | VTRS15523 |           | RONDELLE D.10 X21 INOX UNI 6592  | 2,00     |          |    | --    |
| 0018   | CMCV00475 |           | CABLE STEEL SAFETY CT51-71       | 1,00     |          |    | --    |
| 0019   | VTRS13946 |           | RONDELLE D. 8 X24 INX UNI 6593   | 1,00     |          |    | --    |
| 0020   | VTVT00842 |           | VIS                              | 1,00     |          |    | --    |
| 0021   | MPVR11573 |           | GUIDE CT51-71                    | 1,00     |          |    | --    |

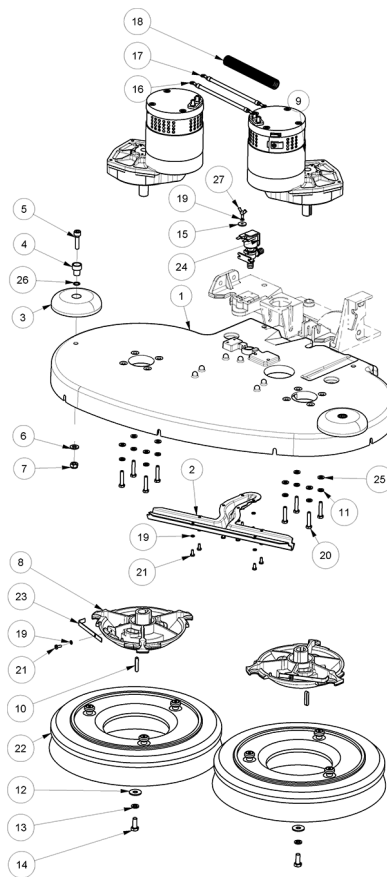


| Ref. K | Part n.   | Part n. 2 | Description                       | Quantity | Validity |    | Price |
|--------|-----------|-----------|-----------------------------------|----------|----------|----|-------|
|        |           |           |                                   |          | From     | To |       |
| 0001   | RTRT00576 |           | ROUE D.50X17 - HOLE 10.5          | 1,00     |          |    | --    |
| 0002   | MPVR06501 |           | ENTRETOISE                        | 1,00     |          |    | --    |
| 0003   | VTRS00245 |           | RONDELLE D.6 UNI 6592 INOX        | 1,00     |          |    | --    |
| 0004   | VTVT15145 |           | VIS TE 6X40 UNI5739 INX           | 1,00     |          |    | --    |
| 0005   | VTDD01694 |           | ECROU M6 INOX                     | 1,00     |          |    | --    |
| 0006   | VTRS21116 |           | RONDELLE D. 3 INX                 | 4,00     |          |    | --    |
| 0007   | VTVT00021 |           | VIS TE UNI 5739 3X25 ZB           | 2,00     |          |    | --    |
| 0008   | VTDD00210 |           | ECROU M 3 AUTOBL.DIN 985 IX.A2    | 2,00     |          |    | --    |
| 0009   | VTVT01321 |           | VIS TE 8X90 UNI5739               | 2,00     |          |    | --    |
| 0010   | VTRS15146 |           | RONDELLE GROVER A2 UNI1751        | 4,00     |          |    | --    |
| 0011   | VTDD00057 |           | ECROU UNI 5589 M8 BASSO ZB        | 2,00     |          |    | --    |
| 0012   | VTRS13946 |           | RONDELLE D. 8 X24 INX UNI 6593    | 2,00     |          |    | --    |
| 0013   | LAFN11002 |           | ENTRETOISE -                      | 2,00     |          |    | --    |
| 0014   | MPVR04164 |           | PETIT POIGNEE YELLOW M8 F         | 2,00     |          |    | --    |
| 0015   | LAFN09418 |           | CROCHET BRUSH HEAD CT51           | 1,00     |          |    | --    |
| 0016   | VTVT00766 |           | VIS TE M. 5-25                    | 2,00     |          |    | --    |
| 0017   | VTDD15517 |           | ECROU M 5 INX                     | 2,00     |          |    | --    |
| 0018   | LAFN09419 |           | PIVOT -                           | 1,00     |          |    | --    |
| 0019   | LAFN11089 |           | ENTRETOISE -                      | 2,00     |          |    | --    |
| 0020   | VTVT00427 |           | VIS TSPEI 8X35 UNI5933 INX        | 1,00     |          |    | --    |
| 0021   | VTDD01701 |           | ECROU M8 INOX+ZIN.                | 1,00     |          |    | --    |
| 0022   | VTVT00474 |           | VIS TSCE uni 5933 4x12 ZB         | 2,00     |          |    | --    |
| 0023   | VTRS15144 |           | RONDELLE D. 6 INX GRW UNI 1751    | 2,00     |          |    | --    |
| 0024   | VTDD15925 |           | ECROU M 4 INX+ZIN                 | 2,00     |          |    | --    |
| 0025   | MECB01947 |           | CABLAGE BOARD BRUSH HEAD CT51-71  | 1,00     |          |    | --    |
| 0026   | MECB01946 |           | CABLAGE BRUSH HEAD MOTORS CT51-71 | 1,00     |          |    | --    |
| 0027   | MLML00348 |           | RESSORT -                         | 2,00     |          |    | --    |
| 0028   | VTRS00516 |           | RONDELLE D. 5 INX                 | 2,00     |          |    | --    |
| 0029   | MECB02024 |           | CABLAGE BRUSH MOTOR THERMAL CON.  | 1,00     |          |    | --    |

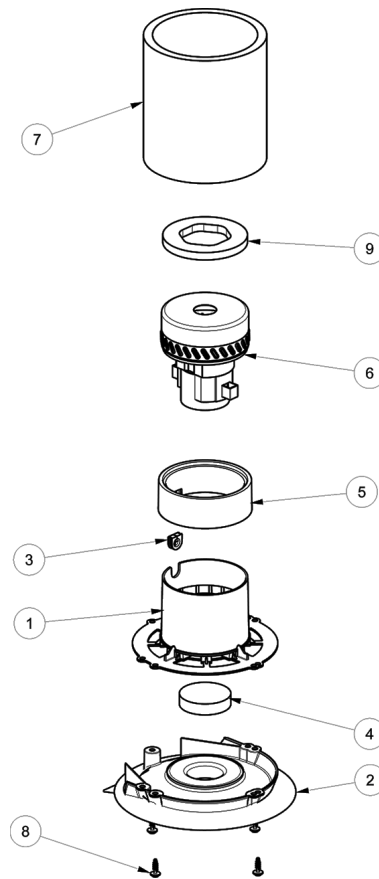




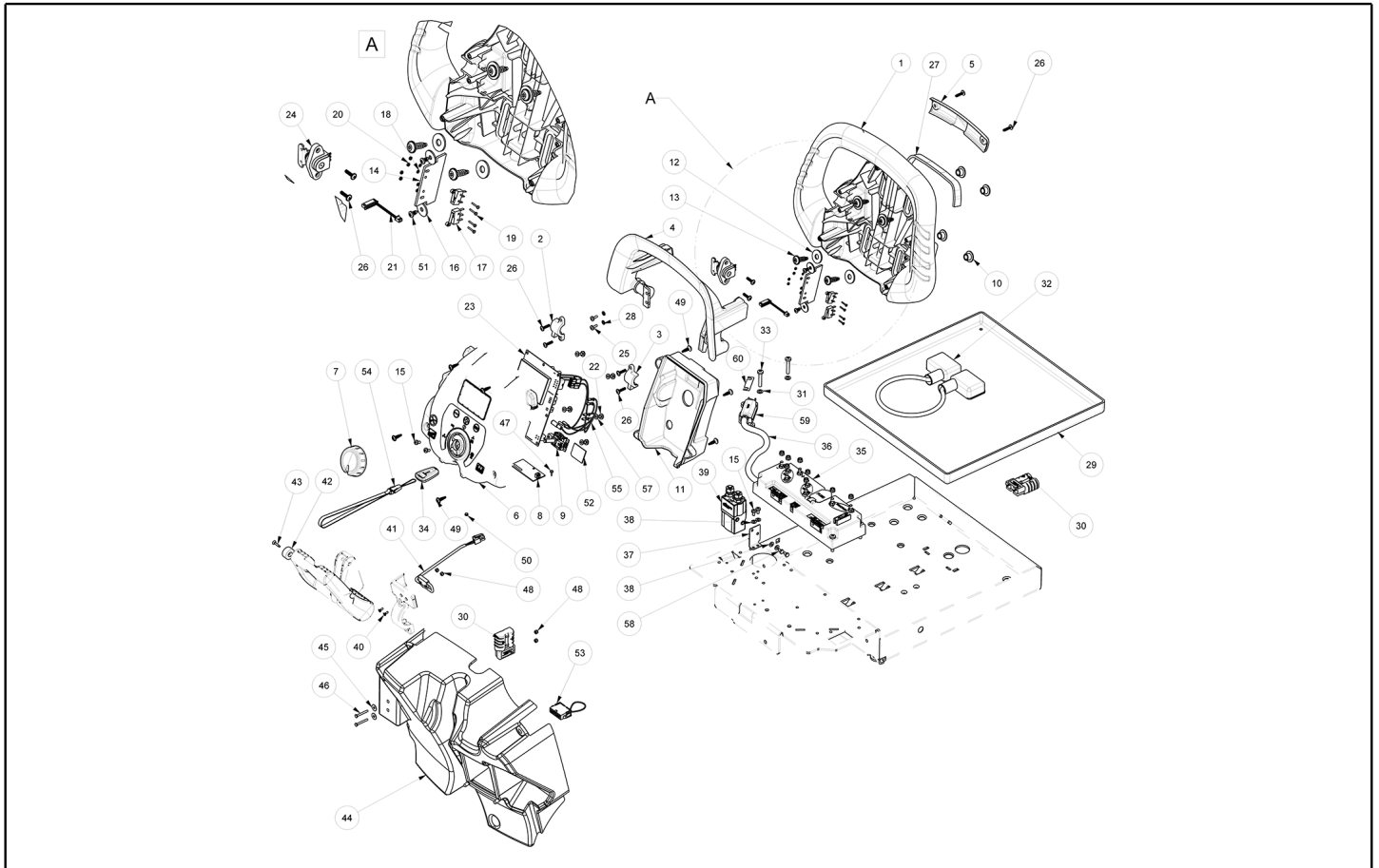
| Ref. K | Part n.   | Part n. 2 | Description                        | Quantity | Validity |    | Price |
|--------|-----------|-----------|------------------------------------|----------|----------|----|-------|
|        |           |           |                                    |          | From     | To |       |
| 0001   | MOCC00465 |           | MOTEUR TRACTION 24V 200W           | 1,00     |          |    | --    |
| 0001   | MOCC00022 |           | CHARBON FOR MOCC86902-MOCC00395    | 1,00     |          |    | --    |
| 0002   | LAFN09453 |           | SUPPORT TRACTION MOTOR CT51        | 2,00     |          |    | --    |
| 0003   | VTAE06193 |           | BAGUE D'ARRET D. 20 UNI 7435       | 2,00     |          |    | --    |
| 0004   | RTRT00546 |           | ROUE D.200                         | 2,00     |          |    | --    |
| 0005   | VTRS13947 |           | RONDELLE D. 8 INX UNI 6592         | 4,00     |          |    | --    |
| 0006   | VTVT01589 |           | VIS M8X40 UNI933 A2                | 2,00     |          |    | --    |
| 0007   | VTDD01701 |           | ECROU M8 INOX+ZIN.                 | 6,00     |          |    | --    |
| 0008   | VTVT15916 |           | VIS TE M 8X 16 UNI 5739 A2         | 4,00     |          |    | --    |
| 0009   | VTVR00566 |           | CLAVETTE 6X10X40 UNI 6604 A (H.10) | 2,00     |          |    | --    |
| 0010   | VTRS15146 |           | RONDELLE GROVER A2 UNI1751         | 2,00     |          |    | --    |
| 0011   | VTRS13946 |           | RONDELLE D. 8 X24 INX UNI 6593     | 2,00     |          |    | --    |
| 0012   | MPVR10760 |           | FLAP TRACTION MOTOR CT51           | 1,00     |          |    | --    |
| 0013   | VTVT01300 |           | VIS TE M5X12 INOX                  | 4,00     |          |    | --    |
| 0014   | VTVT00992 |           | VIS M8x55 INOX                     | 2,00     |          |    | --    |
| 0015   | VTRS13750 |           | RONDELLE D. 5X14 INX               | 4,00     |          |    | --    |
| 0016   | VTDD01693 |           | ECROU M 5 INX                      | 4,00     |          |    | --    |



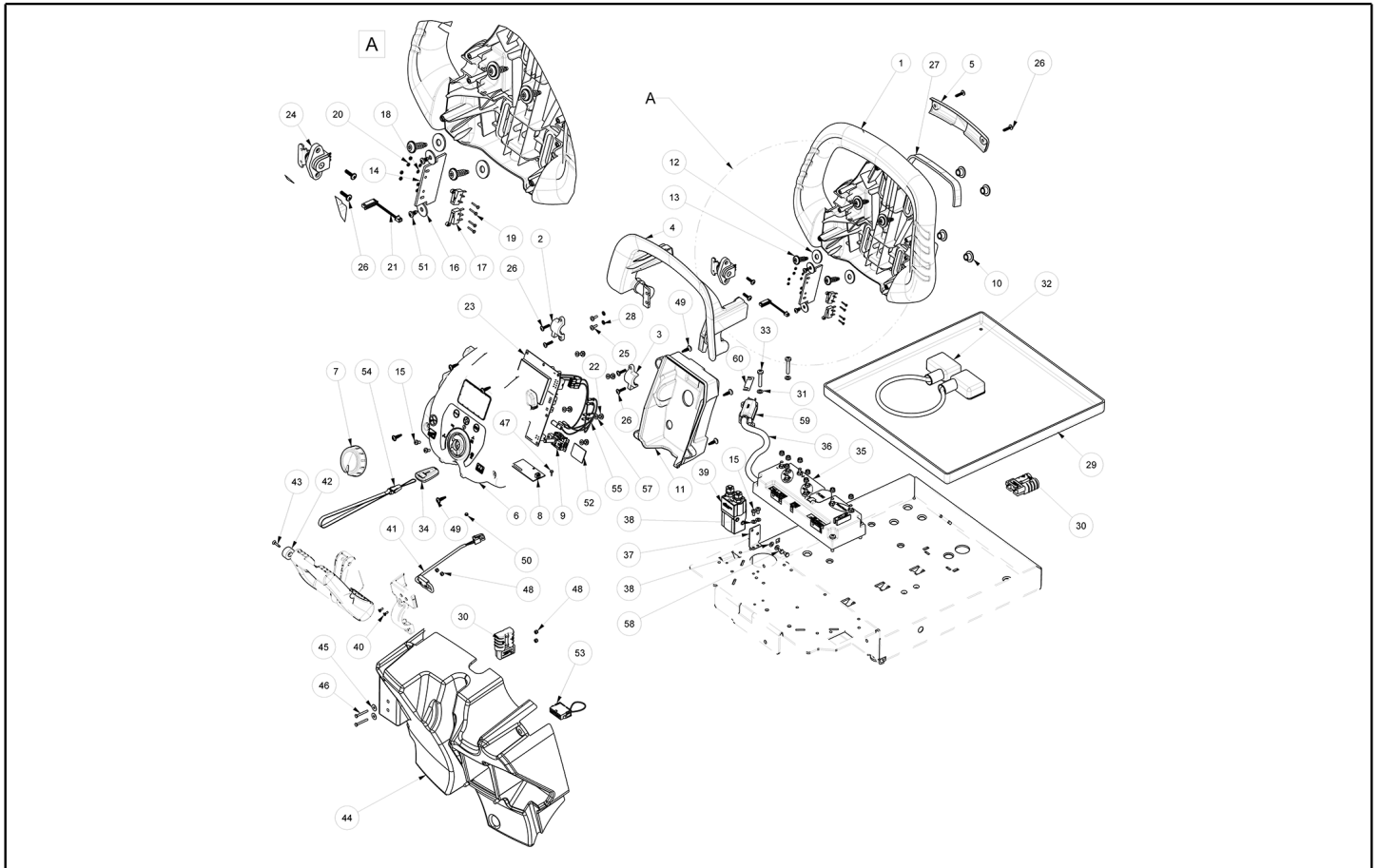
| Ref. K | Part n.   | Part n. 2 | Description                        | Quantity | Validity |    | Price |
|--------|-----------|-----------|------------------------------------|----------|----------|----|-------|
|        |           |           |                                    |          | From     | To |       |
| 0001   | MFVR00239 |           | BROSSE DECK ALUMINIUM CT51 BT70    | 1,00     |          |    | --    |
| 0002   | MPVR06489 |           | DISTRIBUTEUR WATER CT51 BT70       | 1,00     |          |    | --    |
| 0003   | MPVR05290 |           | GALET TENDEUR SIDE BUMPER WHEEL    | 2,00     |          |    | --    |
| 0004   | LAFN03915 |           | DOUILLE NUOVO RUOTINO STRONG       | 2,00     |          |    | --    |
| 0005   | VTVT00822 |           | VIS TCEI M 8-30                    | 2,00     |          |    | --    |
| 0006   | VTRS13947 |           | RONDELLE D. 8 INX UNI 6592         | 2,00     |          |    | --    |
| 0007   | VTDD01695 |           | ECROU M 8 INX                      | 2,00     |          |    | --    |
| 0008   | MFVR00242 |           | DISQUE D'ENTR. CONICAL ALUMINIUM   | 2,00     |          |    | --    |
| 0009   | MOCC00450 |           | MOTEUR BRUSH CT51-71 BT60-70       | 2,00     |          |    | --    |
| 0009   | MEVR02923 |           | CHARBON MOCC00449-MOCC00450        | 1,00     |          |    | --    |
| 0010   | VTVR16617 |           | CLAVETTE 6X 6X30 UNI 6604          | 2,00     |          |    | --    |
| 0011   | VTRS15144 |           | RONDELLE D. 6 INX GRW UNI 1751     | 8,00     |          |    | --    |
| 0012   | VTRS13946 |           | RONDELLE D. 8 X24 INX UNI 6593     | 2,00     |          |    | --    |
| 0013   | VTRS15146 |           | RONDELLE GROVER A2 UNI1751         | 2,00     |          |    | --    |
| 0014   | VTVT13938 |           | VIS TE 8X20 UNI5739 INX            | 2,00     |          |    | --    |
| 0015   | VTRS00251 |           | RONDELLE 4-16 INOX A2              | 1,00     |          |    | --    |
| 0016   | MECB01014 |           | CABLE 6,5mmq                       | 1,00     |          |    | --    |
| 0017   | MECB02008 |           | CABLAGE L320 RED W/TERMINALS       | 1,00     |          |    | --    |
| 0018   | MEVR01577 |           | PASSAGE P.CABLE CT90               | 1,00     |          |    | --    |
| 0019   | VTRS15913 |           | RONDELLE D. 4 GROVER A2 UNI1751    | 10,00    |          |    | --    |
| 0020   | VTVT00433 |           | VIS TE M 6X 30 UNI 5739 INX        | 8,00     |          |    | --    |
| 0021   | VTVT21887 |           | VIS TCB-TC 4X10 8112               | 11,00    |          |    | --    |
| 0022   | SPPV01472 |           | BROSSE PPL D.340 APC               | 2,00     |          |    | --    |
| 0023   | MLML00350 |           | RESSORT -                          | 2,00     |          |    | --    |
| 0024   | MEEV00036 |           | SOUPAPE ELECTR. HOLE 8mm CLEANTIME | 1,00     |          |    | --    |
| 0025   | VTRS00245 |           | RONDELLE D.6 UNI 6592 INOX         | 8,00     |          |    | --    |
| 0026   | GUGO00164 |           | JOINT                              | 2,00     |          |    | --    |
| 0027   | VTVT01150 |           | VIS 4x10                           | 1,00     |          |    | --    |



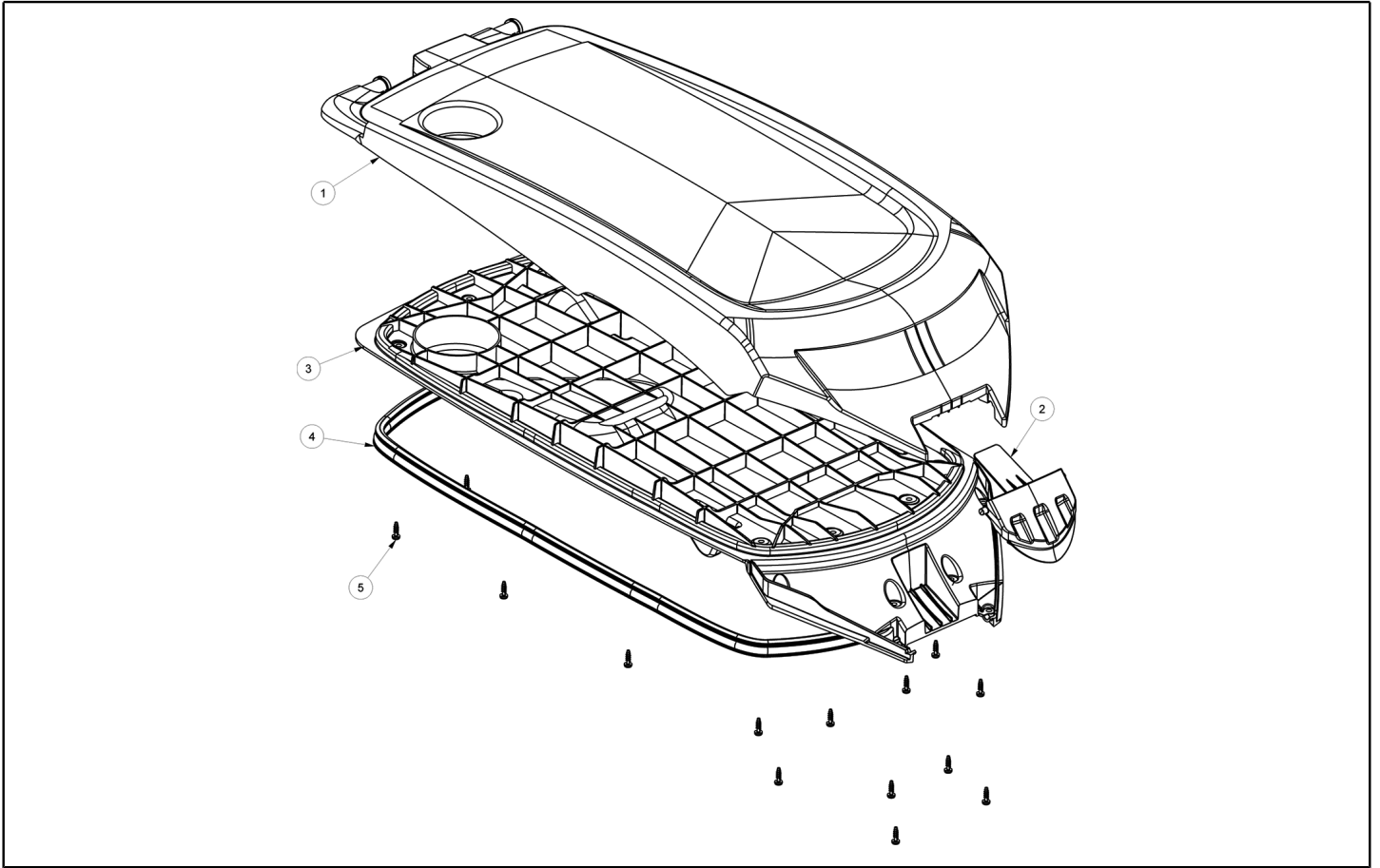
| Ref. K | Part n.   | Part n. 2 | Description                        | Quantity | Validity   |            | Price |
|--------|-----------|-----------|------------------------------------|----------|------------|------------|-------|
|        |           |           |                                    |          | From       | To         |       |
| 0001   | MPVR06466 |           | SUPPORT VACUUM MOTOR 2 ST.CT51-71  | 1,00     |            |            | --    |
| 0002   | MPVR06480 |           | COUVERTURE VACUUM MOTOR CT51-71    | 1,00     |            |            | --    |
| 0003   | GUGO00496 |           | PASSAGE P.CABLE 14-747             | 1,00     |            |            | --    |
| 0004   | FTAC00072 |           | FILTRE VACUUM INTAKE CT51          | 1,00     |            | 04/07/2018 | --    |
| 0005   | GUGO00466 |           | JOINT RUBBER VACUUM MOT. CT51      | 1,00     |            |            | --    |
| 0006   | MOCC00417 |           | MOTEUR VACUUM 24 2-STAGES          | 1,00     |            | 04/07/2018 | --    |
| 0006   | MEVR02377 |           | CHARBON BRUSHES FOR MOCC00401-407  | 1,00     |            | 04/07/2018 | --    |
| 0006   | MOCC00349 |           | MOTEUR VACUUM 2 STAGES 24V         | 1,00     | 05/07/2018 |            | --    |
| 0006   | MEVR05200 |           | CHARBON BRUSH VACUUM 116599-XX     | 1,00     | 05/07/2018 |            | --    |
| 0007   | ITSO00076 |           | INSONORISATION VAC. MOTOR EXTERNAL | 1,00     |            |            | --    |
| 0008   | VTVT01427 |           | VIS STS KN1038 8x25 - T40 A2       | 4,00     |            |            | --    |
| 0009   | GUGO00509 |           | JOINT VACUUM MOTOR CT51-71         | 1,00     |            |            | --    |



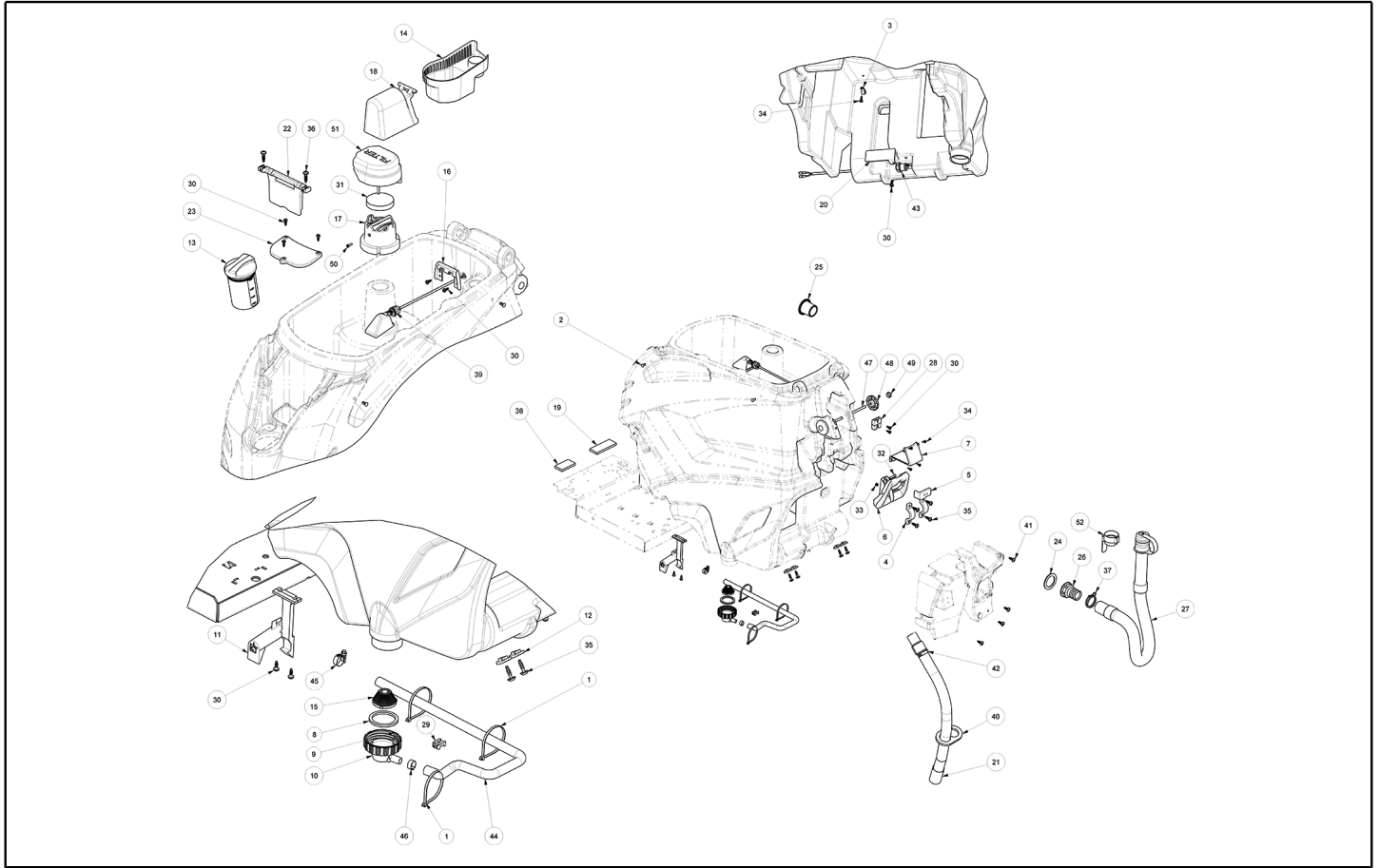
| Ref. K | Part n.   | Part n. 2 | Description                       | Quantity | Validity   |            | Price |
|--------|-----------|-----------|-----------------------------------|----------|------------|------------|-------|
|        |           |           |                                   |          | From       | To         |       |
| 0001   | MPVR06525 |           | POIGNEE GRIP CT51                 | 1,00     |            |            | --    |
| 0002   | MPVR06528 |           | SUPPORT -                         | 1,00     |            |            | --    |
| 0003   | MPVR07177 |           | SUPPORT -                         | 1,00     |            |            | --    |
| 0004   | MPVR06526 |           | LEVIER DIRECTION CT51-71          | 1,00     |            |            | --    |
| 0005   | MPVR10694 |           | BOUCHON                           | 1,00     |            |            | --    |
| 0006   | MPVR10744 |           | COUVERTURE UPPER CT51-71          | 1,00     |            |            | --    |
| 0007   | MPVR06527 |           | POIGNEE DIALER SELECTOR CT51-71   | 1,00     |            |            | --    |
| 0008   | MECE00743 |           | FICHE KEY READER CT51-71          | 1,00     |            | 23/07/2018 | --    |
| 0008   | MECE00804 |           | FICHE KEY READER CT51-71 BT-XP    | 1,00     | 24/07/2018 |            | --    |
| 0009   | MECI00587 |           | SELECTEUR DIALER SWITCH CT51-71   | 1,00     |            |            | --    |
| 0010   | LAFN10998 |           | DOUILLE -                         | 4,00     |            |            | --    |
| 0011   | MPVR11640 |           | COUVERTURE CT51                   | 1,00     |            |            | --    |
| 0012   | VTRS13946 |           | RONDELLE D. 8 X24 INX UNI 6593    | 4,00     |            |            | --    |
| 0013   | VTVT01427 |           | VIS STS KN1038 8x25 - T40 A2      | 4,00     |            |            | --    |
| 0014   | MPVR11198 |           | ENTRETOISE CT51/71                | 1,00     |            |            | --    |
| 0015   | VTVT00813 |           | VIS M 4X 8 TCB-TC UNI 8112        | 4,00     |            |            | --    |
| 0016   | VTRS00291 |           | RONDELLE D. 5 X20 ZC UNI 6593     | 2,00     |            |            | --    |
| 0017   | MECI00588 |           | MICRO-INTERRUP. -                 | 2,00     |            |            | --    |
| 0018   | VTRS00581 |           | RONDELLE D.2                      | 4,00     |            |            | --    |
| 0019   | VTVT01592 |           | VIS TC 2X12                       | 4,00     |            |            | --    |
| 0020   | VTDD00213 |           | ECROU M2                          | 4,00     |            |            | --    |
| 0021   | MECB01938 |           | CABLAGE CONNECTION RFID REED      | 1,00     |            | 23/07/2018 | --    |
| 0021   | MECB02058 |           | CABLAGE CONNECTION REED CT51-71   | 1,00     | 24/07/2018 |            | --    |
| 0022   | VTVT01694 |           | VIS SELF TAPPING 4.8X9.5 SUS      | 5,00     |            |            | --    |
| 0023   | MECE00745 |           | FICHE DISPLAY CT51 BT-XP          | 1,00     |            | 23/07/2018 | --    |
| 0023   | MECE00810 |           | FICHE DISPLAY CT51-71 BT-XP       | 1,00     | 24/07/2018 |            | --    |
| 0024   | MEVR02389 |           | POTENTIOMETRE WIG-WAG 45° CT51    | 1,00     |            |            | --    |
| 0025   | VTVT37012 |           | VIS M 4X 10 TCB-TC INX            | 2,00     |            |            | --    |
| 0026   | VTVT01071 |           | VIS STS KN1031-Neu 4x16 - H2      | 8,00     |            |            | --    |
| 0027   | MPVR10772 |           | JOINT                             | 1,00     |            |            | --    |
| 0028   | VTRS15913 |           | RONDELLE D. 4 GROVER A2 UNI1751   | 2,00     |            |            | --    |
| 0029   | LAFN35588 |           | SUPPORT BATTERIE CT LINE          | 1,00     |            |            | --    |
| 0030   | MEVR01079 |           | GOUPILLE M CB50 A 600V RD.        | 1,00     |            |            | --    |
| 0031   | VTRS00516 |           | RONDELLE D. 5 INX                 | 4,00     |            |            | --    |
| 0032   | MEVR34820 |           | CABLAGE BATTERY BRIDGE W/TERMINAL | 1,00     |            |            | --    |
| 0033   | VTVT01440 |           | VIS                               | 4,00     |            |            | --    |
| 0034   | MEVR02391 |           | CLES COMPLETE WITH RFID           | 2,00     |            |            | --    |
| 0035   | MECE00786 |           | FICHE TRACTION CT51-71 COMPLETE   | 1,00     |            |            | --    |
| 0036   | MECB01919 |           | CABLAGE MAIN HARNESS CT51         | 1,00     |            |            | --    |
| 0037   | LAFN11075 |           | BRIDE -                           | 1,00     |            |            | --    |
| 0038   | VTRS00515 |           | RONDELLE D. 4 INX                 | 4,00     |            |            | --    |
| 0039   | METT00085 |           | TELERUPTEUR 100A                  | 1,00     |            |            | --    |
| 0040   | VTVT01070 |           | VIS TSTC M3X8                     | 2,00     |            |            | --    |
| 0041   | MECI00626 |           | CAPTEUR SQUEEGEE POSIT. CT51      | 1,00     |            |            | --    |



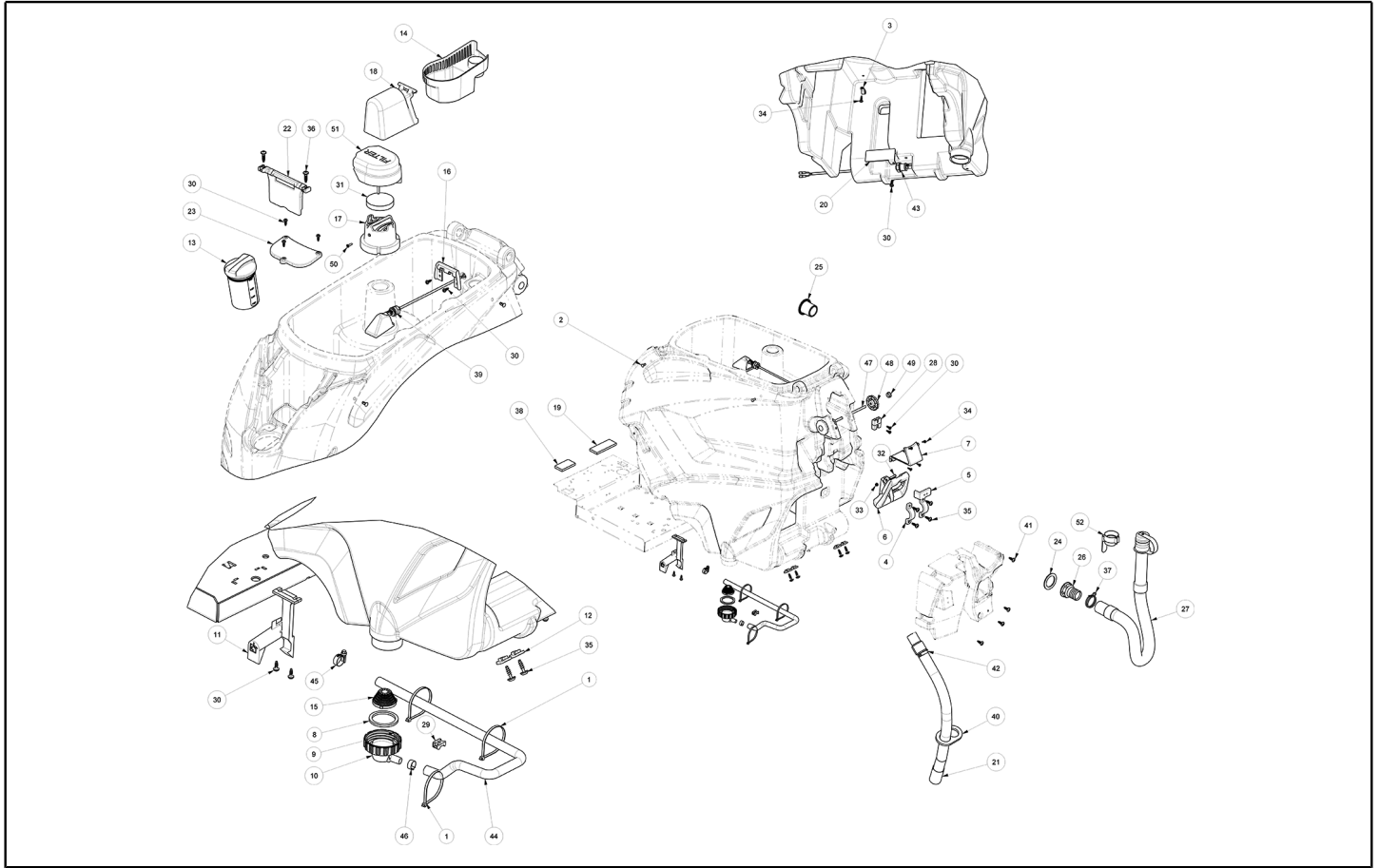
| Ref. K | Part n.   | Part n. 2 | Description                       | Quantity | Validity |    | Price |
|--------|-----------|-----------|-----------------------------------|----------|----------|----|-------|
|        |           |           |                                   |          | From     | To |       |
| 0042   | MEVR02381 |           | MAGNET SQUEEGEE LEVER CT51        | 1,00     |          |    | --    |
| 0043   | VTVT17357 |           | VIS TSP-TC 3.9X16 UNI6955         | 1,00     |          |    | --    |
| 0044   | MPVR06467 |           | COUVERCLE BATTERY CHARGER CT51-71 | 1,00     |          |    | --    |
| 0045   | VTRS00017 |           | RONDELLE ACCIAIO INOX 4X12        | 2,00     |          |    | --    |
| 0046   | VTVT00021 |           | VIS TE UNI 5739 3X25 ZB           | 2,00     |          |    | --    |
| 0047   | VTVT00522 |           | VIS TCB-TC 2.9X 9.5 UNI6954       | 1,00     |          |    | --    |
| 0048   | VTDD00210 |           | ECROU M 3 AUTOBL.DIN 985 IX.A2    | 4,00     |          |    | --    |
| 0049   | VTVT01072 |           | VIS STS KN1038 5x16 - T20 A2      | 4,00     |          |    | --    |
| 0050   | MPVR10701 |           | CAOUTCHOUC KEY HOLD CT51          | 1,00     |          |    | --    |
| 0051   | VTVT48694 |           | VIS TCB TC 5 X12 UNI 9707 TZ      | 2,00     |          |    | --    |
| 0052   | MEVR02097 |           | SD-CARD -                         | 1,00     |          |    | --    |
| 0053   | MECB01981 |           | CABLAGE BRIDGE CT51 W/O CHARGER   | 1,00     |          |    | --    |
| 0054   | MPVR11496 |           | CORDE -                           | 1,00     |          |    | --    |
| 0055   | MECB02017 |           | CABLAGE                           | 1,00     |          |    | --    |
| 0056   | VTDD01693 |           | ECROU M 5 INX                     | 8,00     |          |    | --    |
| 0057   | VTRS00570 |           | RONDELLE -                        | 5,00     |          |    | --    |
| 0058   | VTVT01669 |           | VIS M4x6 UNI5739 znt cl.4.8       | 2,00     |          |    | --    |
| 0059   | MEVR02907 |           | PORTE-FUSIBLES -                  | 1,00     |          |    | --    |
| 0060   | MEVR00604 |           | FUSIBLE                           | 1,00     |          |    | --    |



| Ref. K | Part n.   | Part n. 2 | Description                      | Quantity | Validity |    | Price |
|--------|-----------|-----------|----------------------------------|----------|----------|----|-------|
|        |           |           |                                  |          | From     | To |       |
| 0001   | MPVR06476 |           | COUVERCLE RECOVERY TANK EXTERNAL | 1,00     |          |    | --    |
| 0002   | MPVR06477 |           | LEVIER CLOSURE LID CT51          | 1,00     |          |    | --    |
| 0003   | MPVR10696 |           | COUVERCLE RECOVERY TANK INTERNAL | 1,00     |          |    | --    |
| 0004   | GUVR01019 |           | JOINT RECOVERY TANK LID CT51-71  | 1,00     |          |    | --    |
| 0005   | VTVT01072 |           | VIS STS KN1038 5x16 - T20 A2     | 17,00    |          |    | --    |

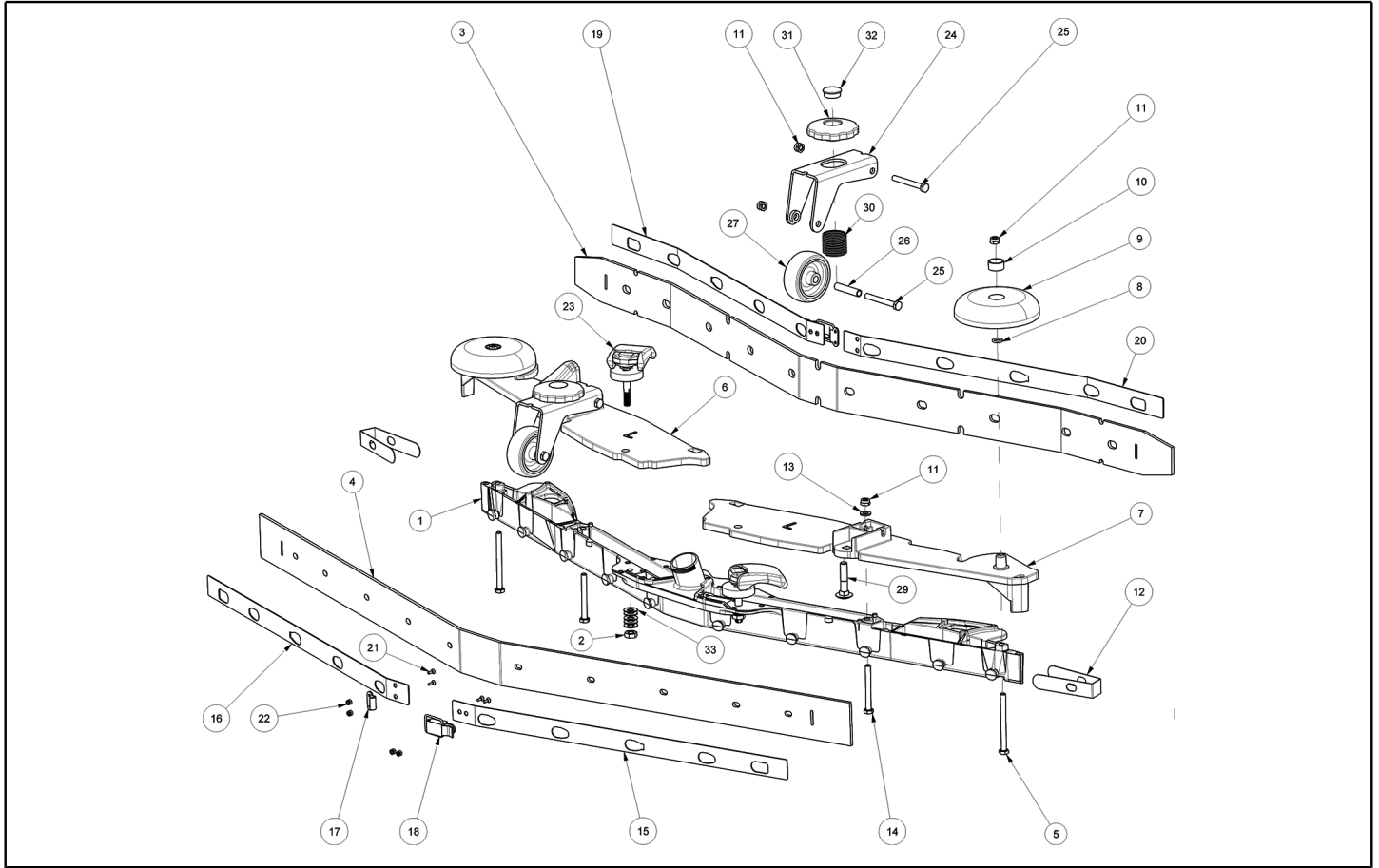


| Ref. K | Part n.   | Part n. 2 | Description                         | Quantity | Validity   |    | Price |
|--------|-----------|-----------|-------------------------------------|----------|------------|----|-------|
|        |           |           |                                     |          | From       | To |       |
| 0001   | FSVR00049 |           | COLLIER 4,5x200 black               | 3,00     |            |    | --    |
| 0002   | MPVR11355 |           | AGRAFE                              | 2,00     |            |    | --    |
| 0003   | MPVR02933 |           | FIXE-TUYAU D.9,5                    | 1,00     |            |    | --    |
| 0004   | MPVR06470 |           | PLAQUETTE -                         | 1,00     |            |    | --    |
| 0005   | MPVR10564 |           | SUPPORT -                           | 1,00     |            |    | --    |
| 0006   | MPVR06469 |           | POIGNEE SQUEEGEE LIFTING CT51-71    | 1,00     |            |    | --    |
| 0007   | MPVR10571 |           | BRIDE -                             | 1,00     |            |    | --    |
| 0008   | GUGO00478 |           | JOINT SOLUTION FILTER CT51          | 1,00     |            |    | --    |
| 0009   | MPVR06561 |           | BOUCHON SOLUTION TANK CT51-71       | 1,00     |            |    | --    |
| 0010   | MPVR10566 |           | RACC. P. TUYAU SOLUTION FILTER CT51 | 1,00     |            |    | --    |
| 0011   | MPVR06475 |           | LEVIER TANK LOCKING CT51            | 1,00     |            |    | --    |
| 0012   | MPVR10562 |           | GLISSIERE -                         | 4,00     |            |    | --    |
| 0013   | MPVR11497 |           | BOUCHON SOLUTION TANK               | 1,00     |            |    | --    |
| 0014   | MPVR06490 |           | FILTRE DEBRIS COLLECTOR             | 1,00     |            |    | --    |
| 0015   | MPVR10565 |           | FILTRE SOLUTION TANK CT51-71        | 1,00     |            |    | --    |
| 0016   | MPVR10576 |           | SUPPORT -                           | 1,00     |            |    | --    |
| 0017   | MPVR11676 |           | SUPPORT FILTER CT51-71              | 1,00     |            |    | --    |
| 0018   | MPVR06560 |           | PROTECTION                          | 1,00     |            |    | --    |
| 0019   | MPVR11766 |           | EPAISSEUR 110X40X8,5                | 1,00     |            |    | --    |
| 0020   | LAFN11043 |           | BRIDE -                             | 1,00     |            |    | --    |
| 0021   | TBFX00353 |           | TUYAU SUCTION CT40-51-55-70-90      | 1,00     |            |    | --    |
| 0022   | MPVR10731 |           | SUPPORT -                           | 1,00     |            |    | --    |
| 0023   | MPVR10732 |           | COUVERTURE -                        | 1,00     |            |    | --    |
| 0024   | GUGO00216 |           | JOINT TANK DRAIN HOSE CUFF          | 1,00     |            |    | --    |
| 0025   | RCVR00339 |           | RACCORD RIF.220.060                 | 1,00     |            |    | --    |
| 0026   | RCVR01103 |           | RACCORD 1"1/2F d.45                 | 1,00     |            |    | --    |
| 0027   | TBFX01069 |           | TUYAU DRAIN RECOVERY TANK CT51-     | 1,00     |            |    | --    |
| 0028   | MPVR11684 |           | BRANCHEMENT TUBO                    | 1,00     |            |    | --    |
| 0029   | MPVR10765 |           | SUPPORT FOR CLAMP                   | 1,00     |            |    | --    |
| 0030   | VTVT01073 |           | VIS STS KN1039 6x16 - T25 A2        | 10,00    |            |    | --    |
| 0031   | FTDP00678 |           | FILTRE VACUUM MOTOR CT51            | 1,00     |            |    | --    |
| 0032   | VTVT01714 |           | VIS TBEI 6X30                       | 1,00     |            |    | --    |
| 0033   | VTDD01694 |           | ECROU M6 INOX                       | 1,00     |            |    | --    |
| 0034   | VTVT01072 |           | VIS STS KN1038 5x16 - T20 A2        | 5,00     |            |    | --    |
| 0035   | VTVT01427 |           | VIS STS KN1038 8x25 - T40 A2        | 8,00     |            |    | --    |
| 0036   | VTVT01429 |           | VIS STS KN1038 8x30 - T40 A2        | 2,00     |            |    | --    |
| 0037   | FSVR00262 |           | COLLIER                             | 1,00     |            |    | --    |
| 0038   | MPVR11767 |           | EPAISSEUR 75X40X8,5                 | 1,00     |            |    | --    |
| 0039   | MECI00662 |           | CAPTEUR LEVEL                       | 1,00     | 21/06/2018 |    | --    |
| 0040   | MPVR04659 |           | BRIDE                               | 1,00     |            |    | --    |
| 0041   | VTVT01430 |           | VIS STS KN1038 8x22 - T40 A2        | 4,00     |            |    | --    |
| 0042   | MPVR06119 |           | COLLIER INDICATION , YELLOW         | 1,00     |            |    | --    |
| 0043   | MECI00592 |           | CAPTEUR SOLUTION TANK CT51-71       | 1,00     |            |    | --    |
| 0044   | TBFX48011 |           | TUYAU FLEX D.12X3 ARMORV.PVC TR     | 1,00     |            |    | --    |

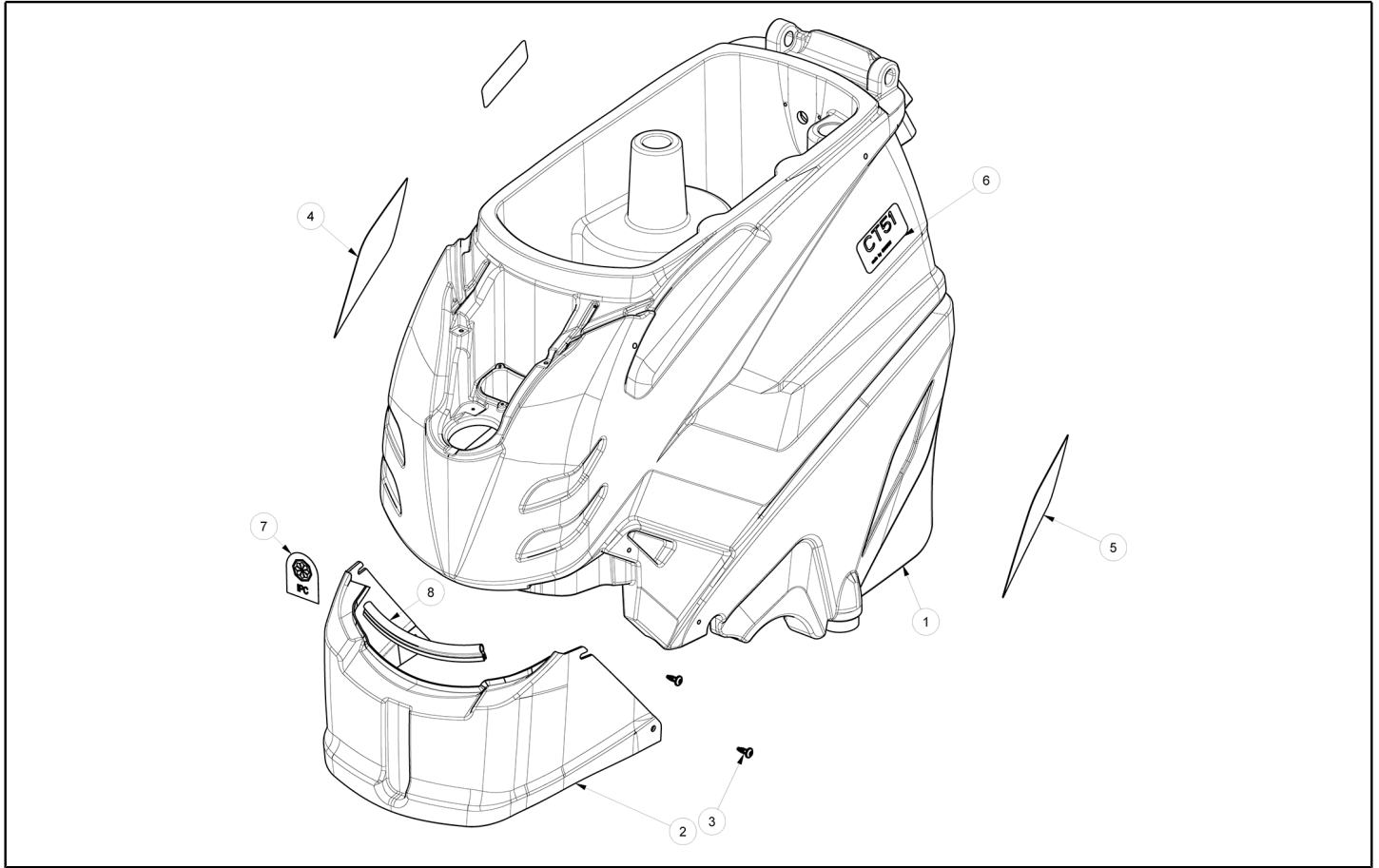


| Ref. K | Part n.   | Part n. 2 | Description                    | Quantity | Validity |    | Price |
|--------|-----------|-----------|--------------------------------|----------|----------|----|-------|
|        |           |           |                                |          | From     | To |       |
| 0045   | FSVR00428 |           | COLLIER D. 12-20               | 1,00     |          |    | --    |
| 0046   | FSVR00261 |           | COLLIER                        | 1,00     |          |    | --    |
| 0047   | VTVR01001 |           | BARRE                          | 1,00     |          |    | --    |
| 0048   | MPVR06478 |           | PETIT POIGNEE WHEEL ADJUSTMENT | 2,00     |          |    | --    |
| 0049   | MPVR06479 |           | BOUCHON -                      | 2,00     |          |    | --    |
| 0050   | VTVT00835 |           | VIS 4,5-20 DIN 7505-A INOX     | 1,00     |          |    | --    |
| 0051   | MPVR11641 |           | COUVERTURE FILTER CT51         | 1,00     |          |    | --    |
| 0052   | MPVR01097 |           | CROCHET DRAIN HOSE             | 1,00     |          |    | --    |

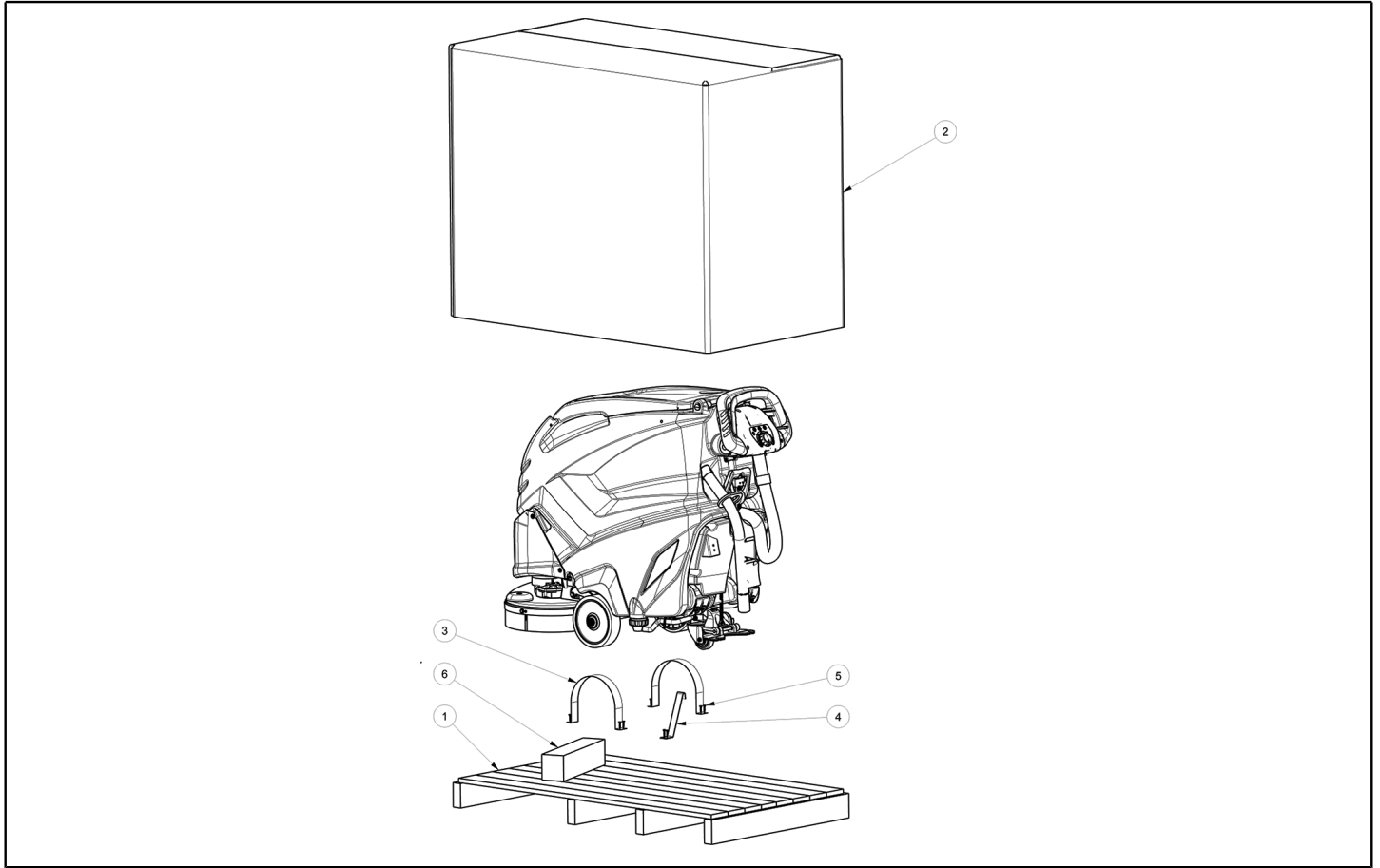




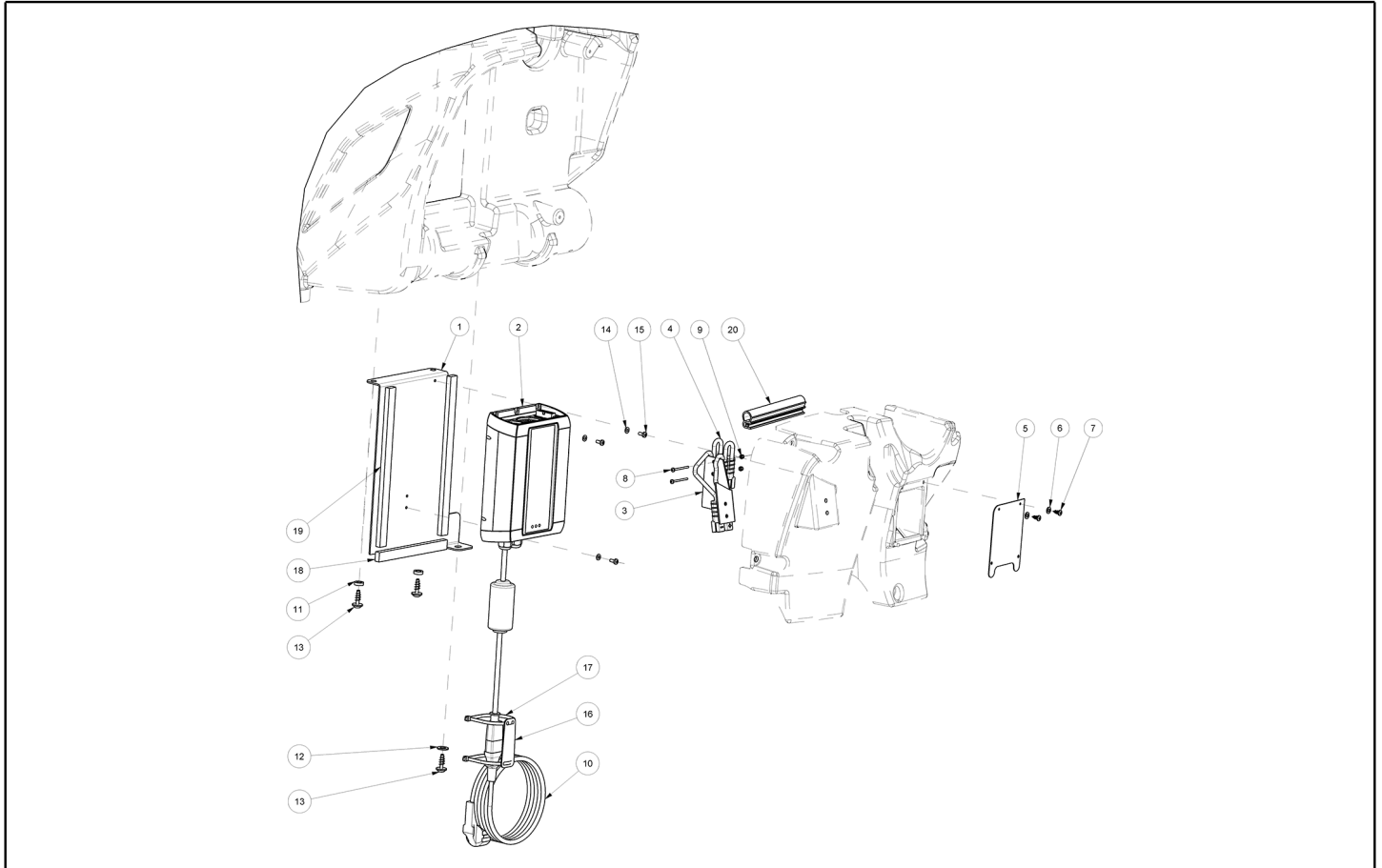
| Ref. K | Part n.   | Part n. 2 | Description                         | Quantity | Validity   |    | Price |
|--------|-----------|-----------|-------------------------------------|----------|------------|----|-------|
|        |           |           |                                     |          | From       | To |       |
| 0001   | MFVR00318 |           | CORPS -                             | 1,00     |            |    | --    |
| 0002   | VTDD00530 |           | ECROU M8 UNI 5589                   | 2,00     |            |    | --    |
| 0003   | MPVR08040 |           | LAME L LATEX                        | 1,00     |            |    | --    |
| 0004   | MPVR08036 |           | LAME L LATEX                        | 1,00     |            |    | --    |
| 0005   | VTVT00699 |           | VIS TE M. 6-70                      | 2,00     |            |    | --    |
| 0006   | MPVR06493 |           | PLAQUE PROTECTION SQUEEGEE L LH     | 1,00     |            |    | --    |
| 0007   | MPVR06494 |           | PLAQUE PROTECTION SQUEEGEE L RH     | 1,00     |            |    | --    |
| 0008   | GUGO00164 |           | JOINT                               | 2,00     |            |    | --    |
| 0009   | MPVR05290 |           | GALET TENDEUR SIDE BUMPER WHEEL     | 2,00     |            |    | --    |
| 0010   | MPVR49229 |           | DOUILLE SHK                         | 2,00     |            |    | --    |
| 0011   | VTDD01694 |           | ECROU M6 INOX                       | 8,00     |            |    | --    |
| 0012   | MPVR05898 |           | FERMETURE L                         | 2,00     |            |    | --    |
| 0013   | VTRS00245 |           | RONDELLE D.6 UNI 6592 INOX          | 2,00     |            |    | --    |
| 0014   | VTVT00655 |           | VIS TE M. 6-55                      | 2,00     |            |    | --    |
| 0015   | LAFN09286 |           | TOLE -                              | 1,00     |            |    | --    |
| 0016   | LAFN09287 |           | TOLE -                              | 1,00     |            |    | --    |
| 0017   | LAFN09301 |           | PRISE -                             | 2,00     |            |    | --    |
| 0018   | LAFN09302 |           | FERMETURE -                         | 2,00     |            |    | --    |
| 0019   | LAFN09285 |           | LAME RETAINER FRONT L.H.S. L        | 1,00     |            |    | --    |
| 0020   | LAFN09284 |           | TOLE -                              | 1,00     |            |    | --    |
| 0021   | VTVT01070 |           | VIS TSTC M3X8                       | 8,00     |            |    | --    |
| 0022   | VTDD00210 |           | ECROU M 3 AUTOBL.DIN 985 IX.A2      | 8,00     |            |    | --    |
| 0023   | PMVR06995 |           | CROCHET SQUEEGEE CT51-71            | 2,00     |            |    | --    |
| 0024   | LAFN09471 |           | SUPPORT CASTOR WHEEL NEW            | 2,00     |            |    | --    |
| 0025   | VTVT15515 |           | VIS TE M 6X 50 INOX A2              | 4,00     |            |    | --    |
| 0026   | LAFN07534 |           | ENTRETOISE -                        | 2,00     |            |    | --    |
| 0027   | RTRT00398 |           | ROUE d.60 HOLE 8                    | 2,00     |            |    | --    |
| 0028   | VTRS00383 |           | RONDELLE -                          | 4,00     |            |    | --    |
| 0029   | VTVT01304 |           | VIS M 8X 40 TTQST UNI 5731          | 2,00     |            |    | --    |
| 0030   | MLML00473 |           | RESSORT -                           | 2,00     |            |    | --    |
| 0031   | MPVR06478 |           | PETIT POIGNEE WHEEL ADJUSTMENT      | 2,00     |            |    | --    |
| 0032   | MPVR06479 |           | BOUCHON -                           | 2,00     |            |    | --    |
| 0033   | MLML00493 |           | RESSORTS DE DIS 16x8,2x0,9 DIN 2093 | 10,00    | 14/12/2017 |    | --    |



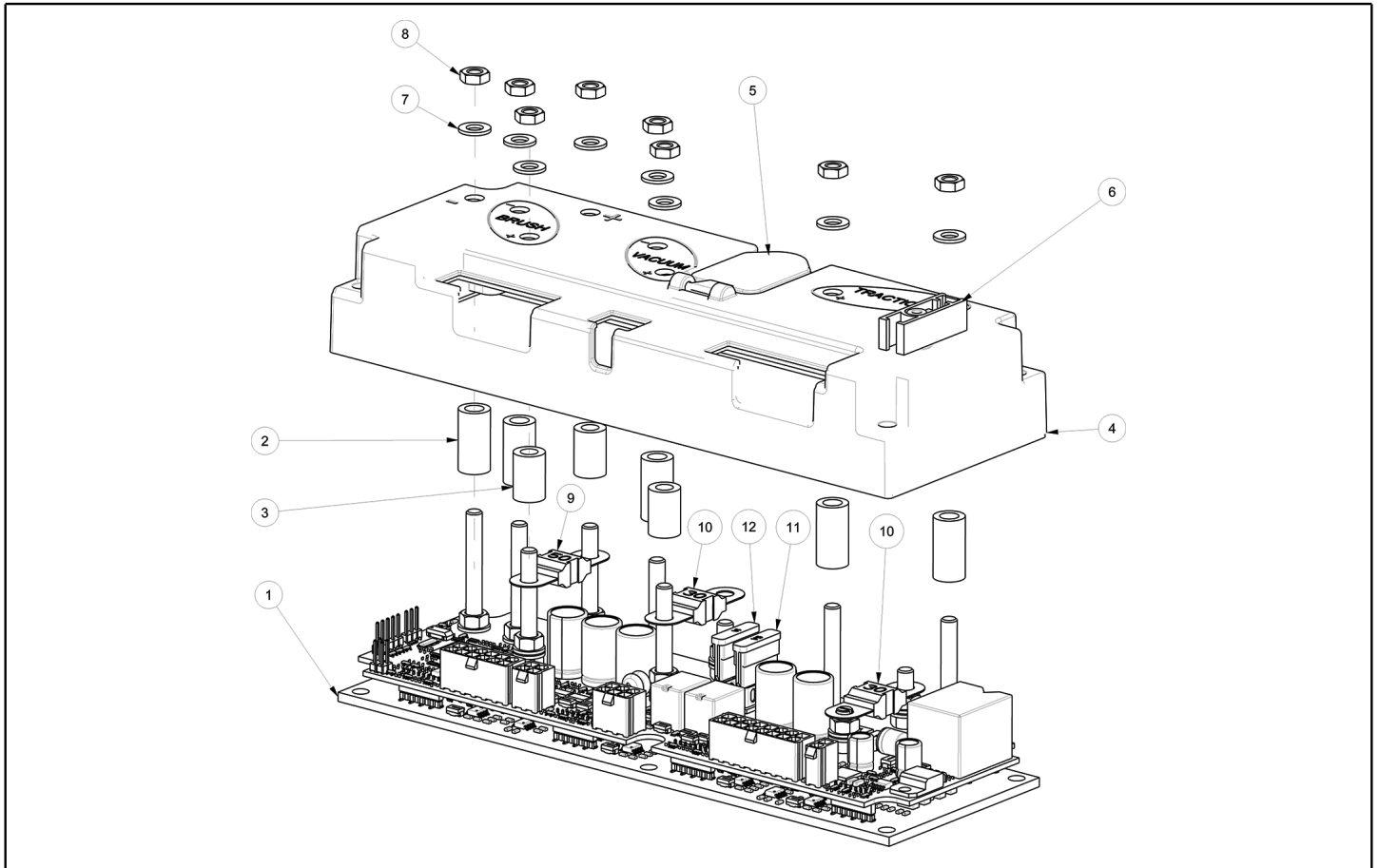
| Ref. K | Part n.   | Part n. 2 | Description                          | Quantity | Validity |    | Price |
|--------|-----------|-----------|--------------------------------------|----------|----------|----|-------|
|        |           |           |                                      |          | From     | To |       |
| 0001   | MPVR06473 |           | RESERVOIR CT51 GREEN                 | 1,00     |          |    | --    |
| 0002   | MPVR06472 |           | COUVERTURE BRUSH MOTORS CT51-71 DISC | 1,00     |          |    | --    |
| 0003   | VTVT01430 |           | VIS STS KN1038 8x22 - T40 A2         | 4,00     |          |    | --    |
| 0004   | ETET20201 |           | ETICHETTE -                          | 1,00     |          |    | --    |
| 0005   | ETET20202 |           | ETICHETTE -                          | 1,00     |          |    | --    |
| 0006   | ETET20203 |           | ETICHETTE CT51                       | 2,00     |          |    | --    |
| 0007   | ETET20266 |           | ETICHETTE LABEL IPC 82X60            | 1,00     |          |    | --    |
| 0008   | GUVR00160 |           | JOINT RUBBERIZED                     | 0,24     |          |    | --    |



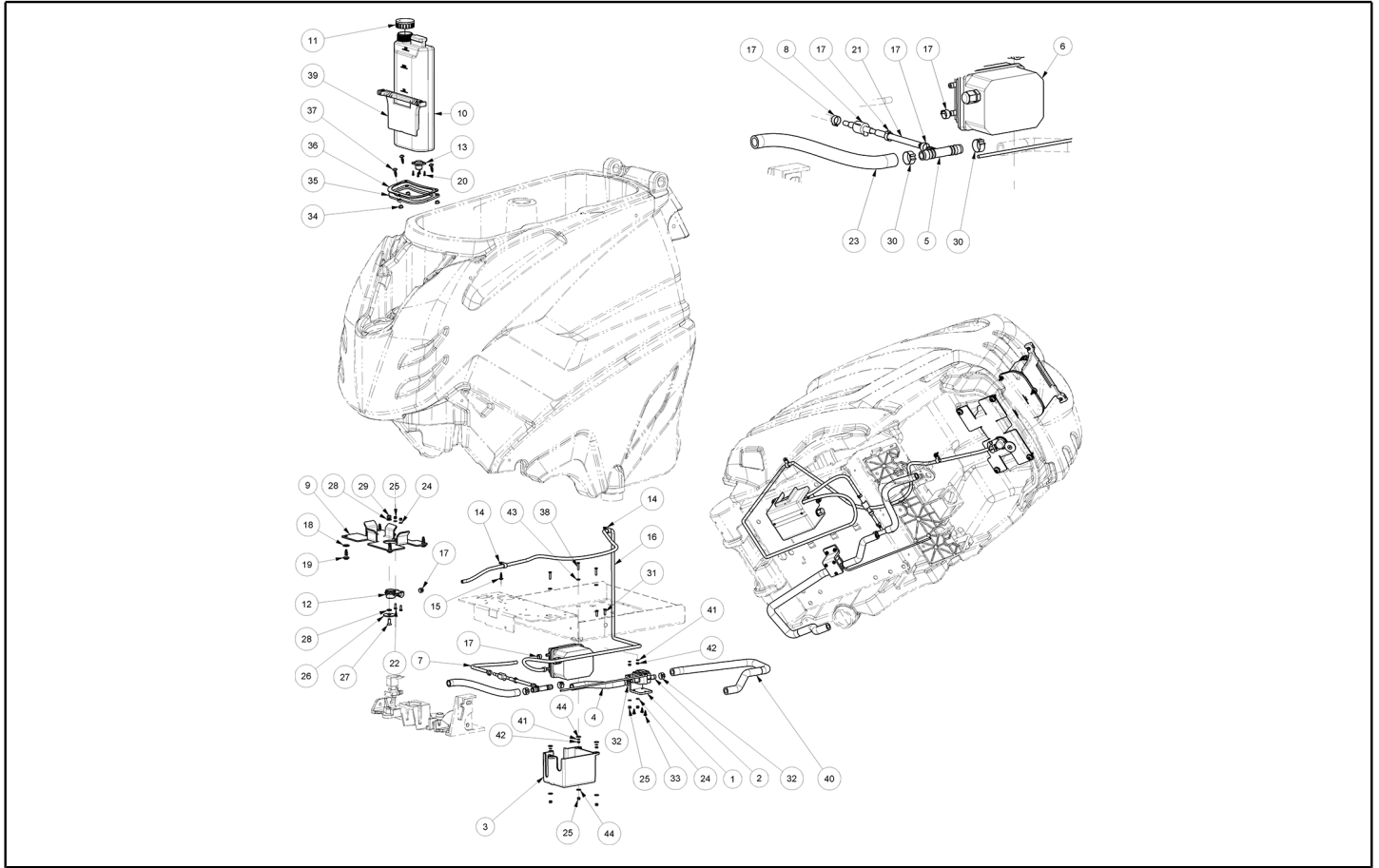
| Ref. K | Part n.   | Part n. 2 | Description                       | Quantity | Validity |    | Price |
|--------|-----------|-----------|-----------------------------------|----------|----------|----|-------|
|        |           |           |                                   |          | From     | To |       |
| 0001   | MIBA00151 |           | PALETTE                           | 1,00     |          |    | --    |
| 0002   | MICT00704 |           | BOITE CARTON                      | 1,00     |          |    | --    |
| 0003   | MIVR00135 |           | BLOCAGE RUOTA POSTERIORE X IMBAL. | 2,00     |          |    | --    |
| 0004   | MIVR00269 |           | BRIDE                             | 1,00     |          |    | --    |
| 0005   | VTVT00043 |           | VIS AUTOF.LEGNO 4,5X25 TS BR      | 10,00    |          |    | --    |
| 0006   | MIVR00055 |           | FLASQUE INF. IN POLIST.400X100X90 | 1,00     |          |    | --    |



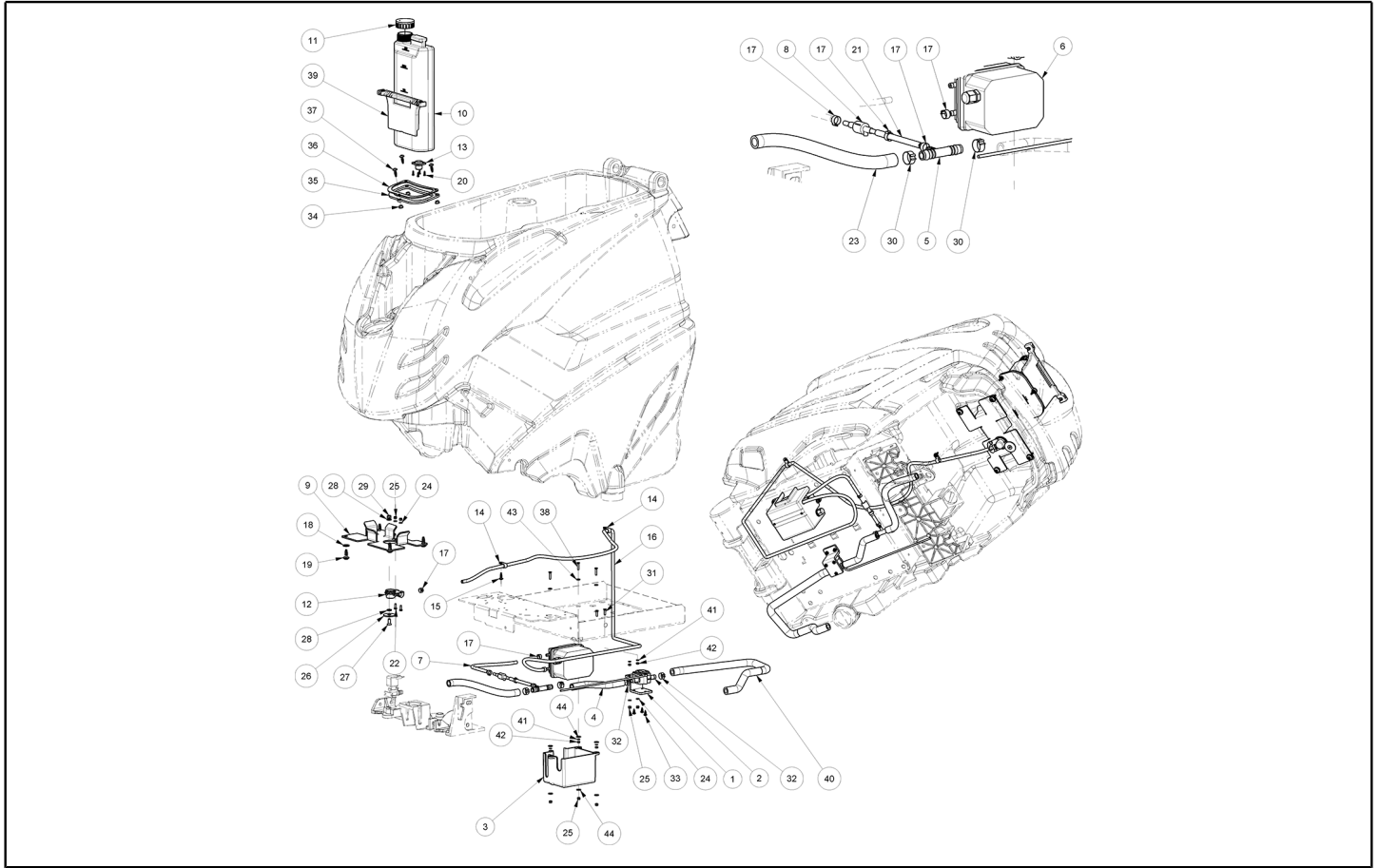
| Ref. K | Part n.   | Part n. 2 | Description                       | Quantity | Validity   |    | Price |
|--------|-----------|-----------|-----------------------------------|----------|------------|----|-------|
|        |           |           |                                   |          | From       | To |       |
| 0001   | LAFN08235 |           | PLAQUE -                          | 1,00     |            |    | --    |
| 0002   | BACA00190 |           | CHARGEUR BATT. CBHD1-XR 24-15     | 1,00     |            |    | --    |
| 0003   | LAFN11046 |           | BRIDE -                           | 1,00     |            |    | --    |
| 0004   | MECB01964 |           | CABLAGE CONNECTION CHARGER/BATT.  | 1,00     |            |    | --    |
| 0005   | MPVR10745 |           | PROTECTION TRANSPARENT POWER CORD | 1,00     |            |    | --    |
| 0006   | VTRS00516 |           | RONDELLE D. 5 INX                 | 2,00     |            |    | --    |
| 0007   | VTVT48694 |           | VIS TCB TC 5 X12 UNI 9707 TZ      | 2,00     |            |    | --    |
| 0008   | VTVT00691 |           |                                   | 2,00     |            |    | --    |
| 0009   | VTDD00210 |           | ECROU M 3 AUTOBL.DIN 985 IX.A2    | 2,00     |            |    | --    |
| 0010   | MECB00922 |           | RALLONGE 3x0,75 SHUKO PLUG        | 1,00     |            |    | --    |
| 0011   | VTRS00383 |           | RONDELLE -                        | 2,00     |            |    | --    |
| 0012   | VTRS13947 |           | RONDELLE D. 8 INX UNI 6592        | 1,00     |            |    | --    |
| 0013   | VTVT01430 |           | VIS STS KN1038 8x22 - T40 A2      | 3,00     |            |    | --    |
| 0014   | VTRS00515 |           | RONDELLE D. 4 INX                 | 3,00     |            |    | --    |
| 0015   | VTVT21887 |           | VIS TCB-TC 4X10 8112              | 3,00     |            |    | --    |
| 0016   | MPVR11197 |           | PLAT POWER CORD HOLDER            | 1,00     |            |    | --    |
| 0017   | FSVR00049 |           | COLLIER 4,5x200 black             | 2,00     |            |    | --    |
| 0018   | GUGO00589 |           | JOINT CT51                        | 1,00     |            |    | --    |
| 0019   | GUGO00590 |           | JOINT CT51                        | 2,00     |            |    | --    |
| 0020   | GUVR00010 |           | JOINT                             | 0,12     | 27/11/2018 |    | --    |



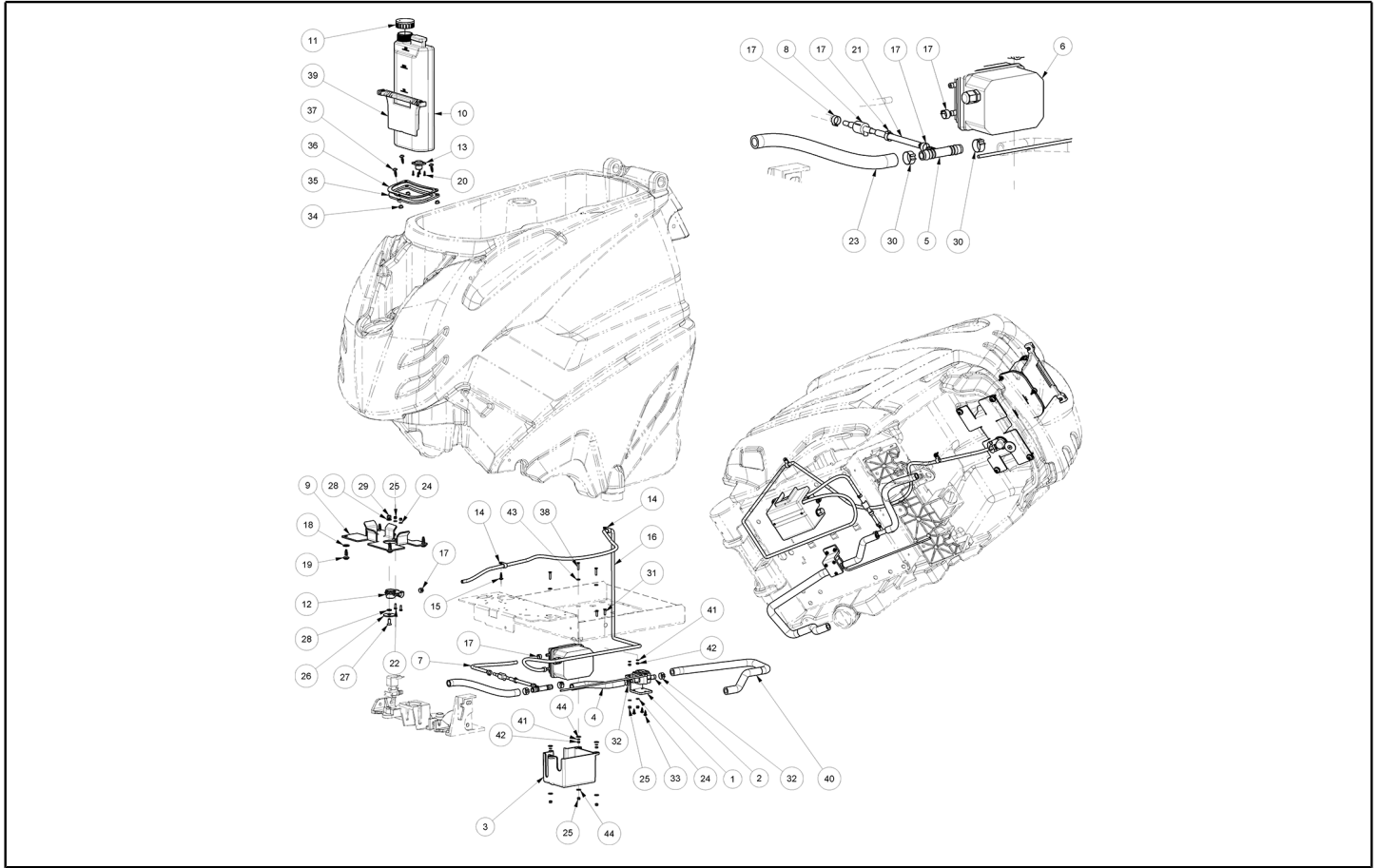
| Ref. K | Part n.   | Part n. 2 | Description                        | Quantity | Validity |    | Price |
|--------|-----------|-----------|------------------------------------|----------|----------|----|-------|
|        |           |           |                                    |          | From     | To |       |
| 0001   | MECE00785 |           | FICHE TRACTION CT51-71             | 1,00     |          |    | --    |
| 0002   | MPVR06501 |           | ENTRETOISE                         | 5,00     |          |    | --    |
| 0003   | LAFN01298 |           | ENTRETOISE PLASTIC 10X5,5X15       | 3,00     |          |    | --    |
| 0004   | MPVR11447 |           | COUVERTURE ELECTRONIC BOARD CT51BT | 1,00     |          |    | --    |
| 0005   | MPVR11448 |           | COUVERCLE PLASTIC FUSE BOX CT51    | 1,00     |          |    | --    |
| 0006   | MEVR01153 |           | FUSIBLE EXTRACTOR                  | 1,00     |          |    | --    |
| 0007   | VTRS00516 |           | RONDELLE D. 5 INX                  | 8,00     |          |    | --    |
| 0008   | VTDD00209 |           | ECROU M5 LOW UNI5589               | 8,00     |          |    | --    |
| 0009   | MEVR02105 |           | FUSIBLE 50A OMEGA FT3050           | 1,00     |          |    | --    |
| 0010   | MEVR02104 |           | FUSIBLE 30A OMEGA FT3030           | 2,00     |          |    | --    |
| 0011   | MEVR00565 |           | FUSIBLE 5A                         | 1,00     |          |    | --    |
| 0012   | MEVR00563 |           | FUSIBLE 1A                         | 1,00     |          |    | --    |



| Ref. K | Part n.     | Part n. 2 | Description                     | Quantity | Validity   |            | Price |
|--------|-------------|-----------|---------------------------------|----------|------------|------------|-------|
|        |             |           |                                 |          | From       | To         |       |
| 0001   | LAFN11076   |           | BRIDE -                         | 1,00     |            | 21/11/2018 | --    |
| 0001   | LAFN11278   |           | BRIDE DEBITMETRES CT51/71       | 1,00     | 22/11/2018 |            | --    |
| 0002   | MEVR01957   |           | DEBITMETRES -                   | 1,00     |            | 21/11/2018 | --    |
| 0002   | MEVR02922   |           | DEBITMETRES                     | 1,00     | 22/11/2018 |            | --    |
| 0003   | MPVR06508   |           | BOITE -                         | 1,00     |            |            | --    |
| 0004   | TBFX48011   |           | TUYAU FLEX D.12X3 ARMORV.PVC TR | 0,18     |            |            | --    |
| 0005   | RCVR00745   |           | RACCORD TRS 12-6-12             | 1,00     |            |            | --    |
| 0006   | PPBP00123   |           | POMPE -                         | 1,00     |            |            | --    |
| 0007   | TBBP00003   |           | TUYAU CRISTALLO 6X9             | 0,10     |            |            | --    |
| 0008   | RCGR00079   |           | SOUPAPE -                       | 1,00     |            |            | --    |
| 0009   | LAFN11088   |           | BRIDE -                         | 1,00     |            |            | --    |
| 0010   | S MPVR10575 |           | BAC DETERGENT -                 | 1,00     |            |            | --    |
| 0011   | MPVR40756   |           | BOUCHON BAC KSM C/F.            | 1,00     |            |            | --    |
| 0012   | VVSF00031   |           | SOUPAPE -                       | 1,00     |            |            | --    |
| 0013   | VVSF00031   |           | SOUPAPE -                       | 1,00     |            |            | --    |
| 0014   | MPVR02933   |           | FIXE-TUYAU D.9,5                | 2,00     |            |            | --    |
| 0015   | VTVT01072   |           | VIS STS KN1038 5x16 - T20 A2    | 1,00     |            |            | --    |
| 0016   | TBBP00003   |           | TUYAU CRISTALLO 6X9             | 1,60     |            |            | --    |
| 0017   | FSVR00087   |           | COLLIER A COLLARE               | 5,00     |            |            | --    |
| 0018   | VTRS13947   |           | RONDELLE D. 8 INX UNI 6592      | 4,00     |            |            | --    |
| 0019   | VTVT01430   |           | VIS STS KN1038 8x22 - T40 A2    | 4,00     |            |            | --    |
| 0020   | VTVT00820   |           | VIS TC+ M.3,5-10                | 4,00     |            |            | --    |
| 0021   | TBBP00003   |           | TUYAU CRISTALLO 6X9             | 0,75     |            |            | --    |
| 0022   | VTVT00817   |           | VIS TE M4x12 UNI 5739 INOX      | 2,00     |            |            | --    |
| 0023   | TBFX48011   |           | TUYAU FLEX D.12X3 ARMORV.PVC TR | 0,23     |            |            | --    |
| 0024   | VTRS00515   |           | RONDELLE D. 4 INX               | 4,00     |            |            | --    |
| 0025   | VTDD00055   |           | ECROU M 4 ATB A2                | 4,00     |            |            | --    |
| 0026   | VTRS16323   |           | RONDELLE D. 8 X32 UNI 6593 INX  | 1,00     |            |            | --    |
| 0027   | VTVT00832   |           | VIS TSPEI M6x16 INOX            | 4,00     |            |            | --    |
| 0028   | VTRS00245   |           | RONDELLE D.6 UNI 6592 INOX      | 5,00     |            |            | --    |
| 0029   | VTDD01694   |           | ECROU M6 INOX                   | 4,00     |            |            | --    |
| 0030   | FSVR00261   |           | COLLIER                         | 2,00     |            |            | --    |
| 0031   | VTVT16939   |           | VIS M 4X 16 TSPEI UNI 5933      | 2,00     |            |            | --    |
| 0032   | FSVR00258   |           | COLLIER -                       | 2,00     |            |            | --    |
| 0033   | VTVT48694   |           | VIS TCB TC 5 X12 UNI 9707 TZ    | 3,00     |            |            | --    |
| 0034   | LAFN11180   |           | ENTRETOISE CHEM DOSE CT51       | 3,00     |            |            | --    |
| 0035   | GUGO00586   |           | JOINT CHEM DOSE                 | 1,00     |            |            | --    |
| 0036   | LAFN11121   |           | BRIDE                           | 1,00     |            |            | --    |
| 0037   | VTVT01591   |           | VIS STS KN1038 6x20 - T25 A2    | 3,00     |            |            | --    |
| 0038   | VTVT00877   |           | VIS TSPEI M 4X20 INX UNI5933    | 3,00     |            |            | --    |
| 0039   | MPVR11678   |           | SUPPORT CHEM DOSE COVER         | 1,00     |            |            | --    |
| 0040   | TBFX48011   |           | TUYAU FLEX D.12X3 ARMORV.PVC TR | 0,60     |            |            | --    |
| 0041   | VTRS15913   |           | RONDELLE D. 4 GROVER A2 UNI1751 | 5,00     |            |            | --    |
| 0042   | VTDD00147   |           | ECROU M 4 INX U.5588            | 5,00     |            |            | --    |

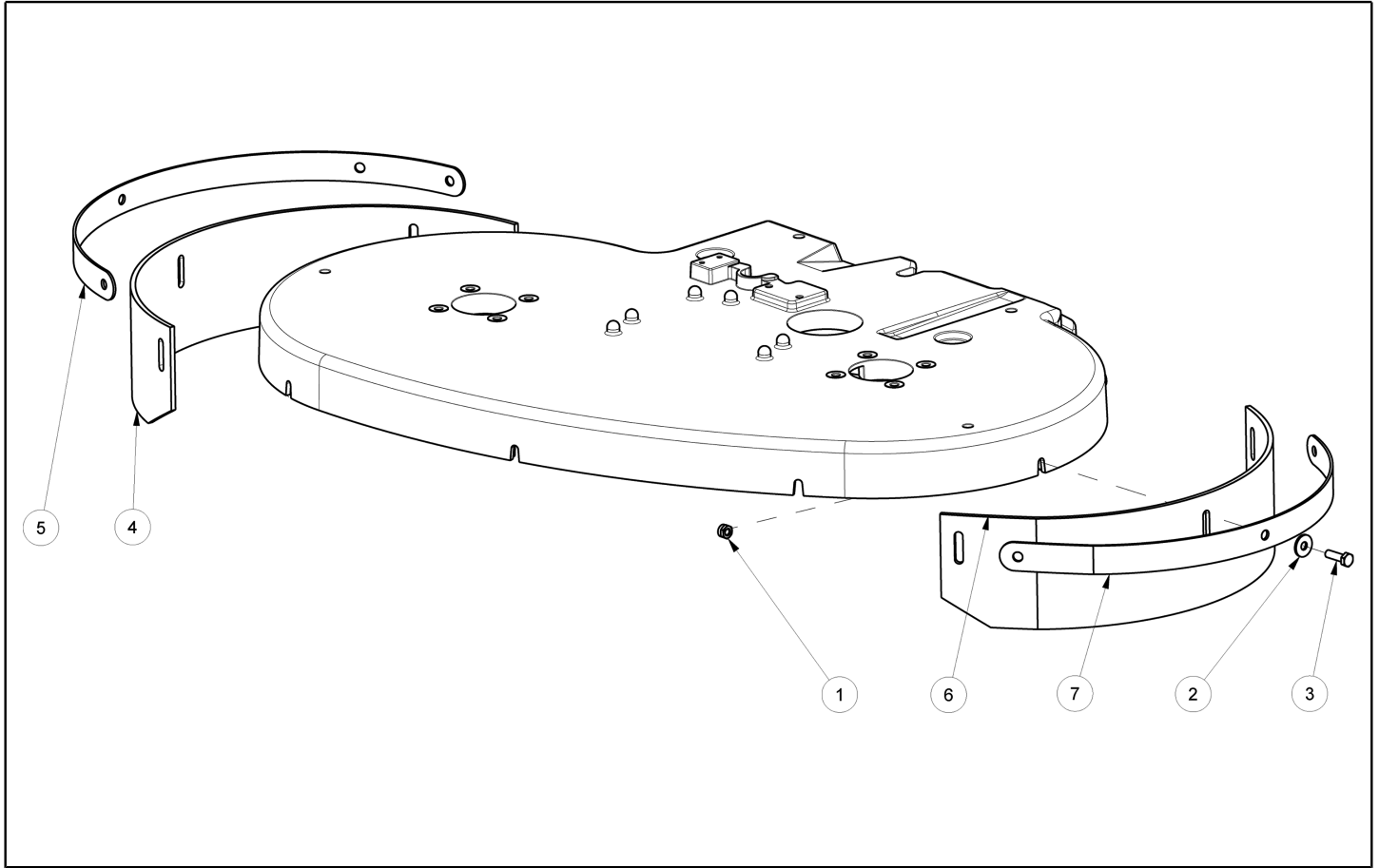


| Ref. K | Part n.   | Part n. 2 | Description                | Quantity | Validity |    | Price |
|--------|-----------|-----------|----------------------------|----------|----------|----|-------|
|        |           |           |                            |          | From     | To |       |
| 0043   | VTRS00516 |           | RONDELLE D. 5 INX          | 3,00     |          |    | --    |
| 0044   | VTRS00017 |           | RONDELLE ACCIAIO INOX 4X12 | 6,00     |          |    | --    |

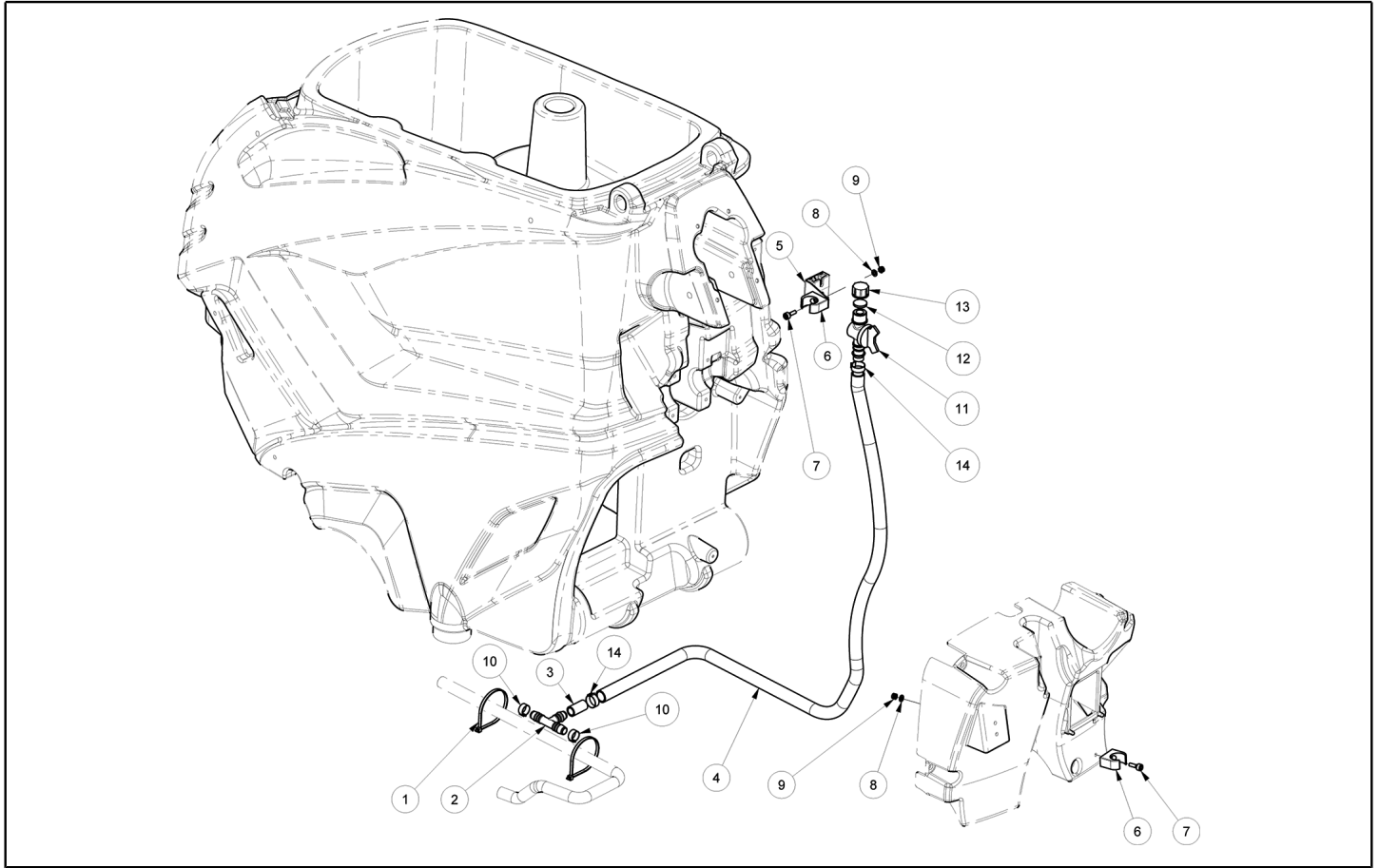


| Ref. Part n. | Part n. 2 | Description                | Reference | Price |
|--------------|-----------|----------------------------|-----------|-------|
| KTRI05275    |           | KIT CHEM DOSE TANK CT51-71 | 0010      | --    |

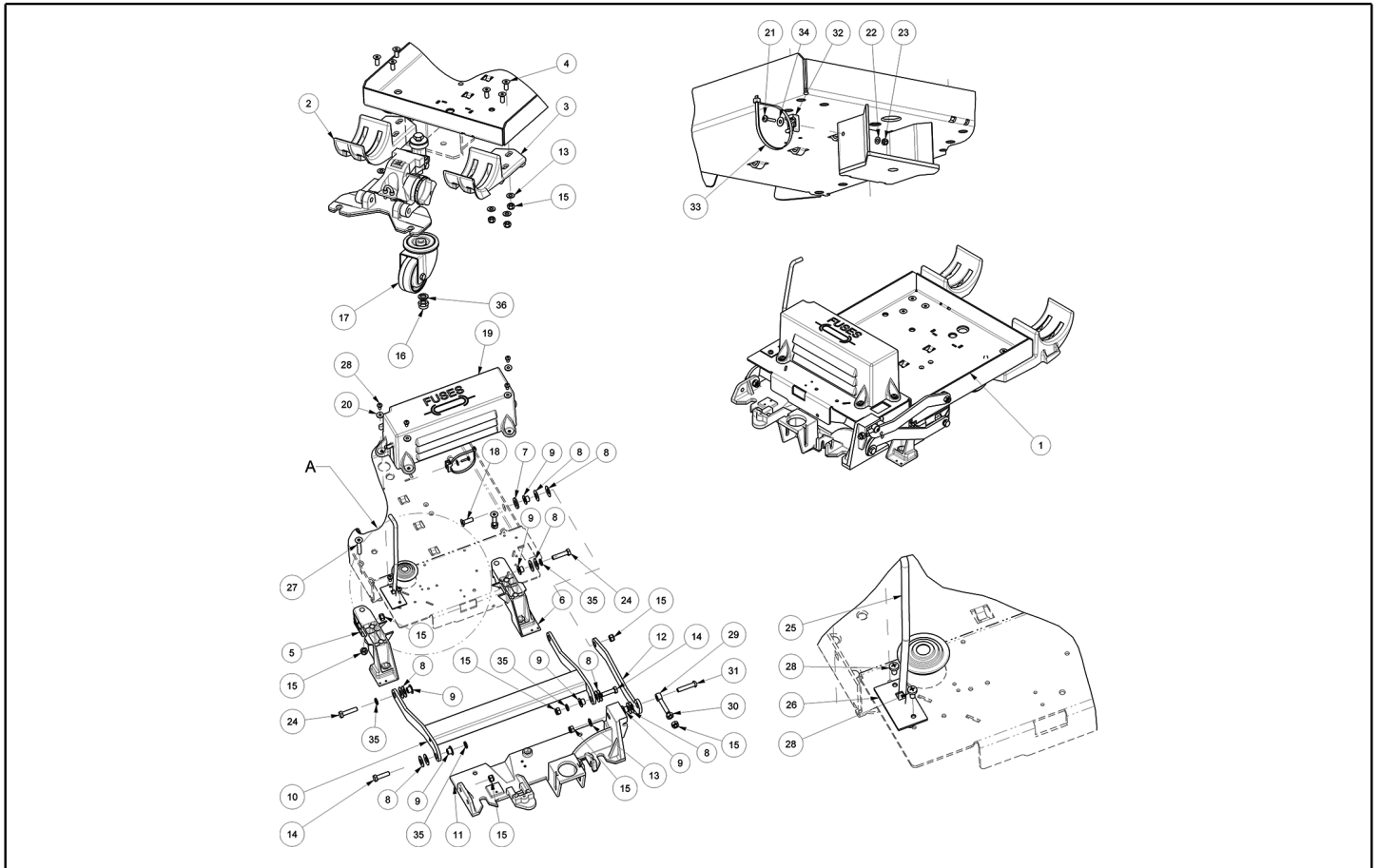




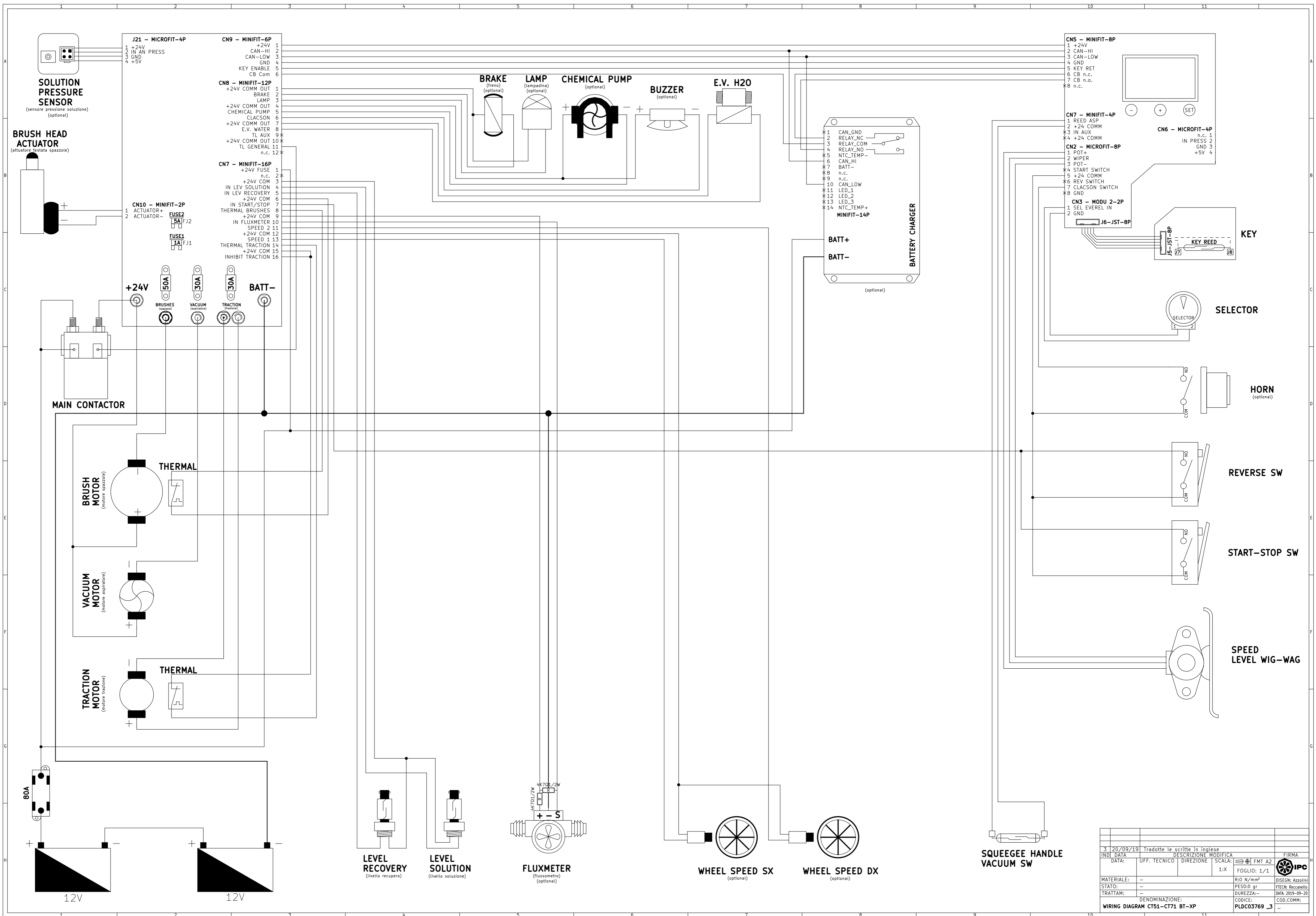
| Ref. K | Part n.   | Part n. 2 | Description                   | Quantity | Validity |    | Price |
|--------|-----------|-----------|-------------------------------|----------|----------|----|-------|
|        |           |           |                               |          | From     | To |       |
| 0001   | VTDD01694 |           | ECROU M6 INOX                 | 6,00     |          |    | --    |
| 0002   | VTRS13945 |           | RONDELLE D. 6X18 INX UNI 6593 | 7,00     |          |    | --    |
| 0003   | VTVT13939 |           | VIS TE 6X20 UNI5739 INX       | 7,00     |          |    | --    |
| 0004   | MPVR10817 |           | FLAP                          | 1,00     |          |    | --    |
| 0005   | MPVR10818 |           | PRESSE-FLAP                   | 1,00     |          |    | --    |
| 0006   | MPVR06513 |           | FLAP -                        | 1,00     |          |    | --    |
| 0007   | MPVR06514 |           | BRIDE -                       | 1,00     |          |    | --    |



| Ref. K | Part n.   | Part n. 2 | Description                     | Quantity | Validity |    | Price |
|--------|-----------|-----------|---------------------------------|----------|----------|----|-------|
|        |           |           |                                 |          | From     | To |       |
| 0001   | FSVR00049 |           | COLLIER 4,5x200 black           | 2,00     |          |    | --    |
| 0002   | RCVR00483 |           | RACCORD 3 VIE                   | 1,00     |          |    | --    |
| 0003   | TBFX01215 |           | TUYAU Di12 De17 L =30 mm        | 1,00     |          |    | --    |
| 0004   | TBBP00120 |           | TUYAU TRANSPARENT 16MM METALFLE | 1,02     |          |    | --    |
| 0005   | LAFN11229 |           | BRIDE LEVEL TUBE                | 1,00     |          |    | --    |
| 0006   | MPVR05280 |           | AGRAFE M25                      | 2,00     |          |    | --    |
| 0007   | VTVT17720 |           | VIS TCEI M 5X16 INOX            | 2,00     |          |    | --    |
| 0008   | VTRS00516 |           | RONDELLE D. 5 INX               | 2,00     |          |    | --    |
| 0009   | VTDD01693 |           | ECROU M 5 INX                   | 2,00     |          |    | --    |
| 0010   | FSVR00261 |           | COLLIER                         | 2,00     |          |    | --    |
| 0011   | RCVR00590 |           | RACCORD 1/2 M RESCA 15          | 1,00     |          |    | --    |
| 0012   | GUGO00268 |           | JOINT D.21 SP.3 GOMMA           | 1,00     |          |    | --    |
| 0013   | RCVR00353 |           | BOUCHON 1/2"G X ELETTROV. ACL   | 1,00     |          |    | --    |
| 0014   | FSVR00256 |           | COLLIER -                       | 2,00     |          |    | --    |



| Ref. K | Part n.   | Part n. 2 | Description                            | Quantity | Validity |    | Price |
|--------|-----------|-----------|--|----------|----------|----|-------|
|        |           |           |  |          | From     | To |       |
| 0001   | LAFN09477 |           | CHASSIS CT50/70                        | 1,00     |          |    | --    |
| 0002   | MFVR00286 |           | SUPPORT -                              | 1,00     |          |    | --    |
| 0003   | MFVR00287 |           | SUPPORT -                              | 1,00     |          |    | --    |
| 0004   | VTVT01352 |           | VIS TSPEI M8X20                        | 6,00     |          |    | --    |
| 0005   | MFVR00283 |           | SUPPORT -                              | 1,00     |          |    | --    |
| 0006   | MFVR00284 |           | SUPPORT -                              | 1,00     |          |    | --    |
| 0007   | VTRS15978 |           | RONDELLE D.12X24 UNI 6592 INX          | 1,00     |          |    | --    |
| 0008   | MLML00095 |           | RESSORTS DE DIS 12,2x25x0,9 DIN 2093   | 12,00    |          |    | --    |
| 0009   | LAFN10998 |           | DOUILLE -                              | 6,00     |          |    | --    |
| 0010   | LAFN09420 |           | BRAS -                                 | 1,00     |          |    | --    |
| 0011   | MFVR00240 |           | BRIDE BRUSH HEAD SUPPORT CT51          | 1,00     |          |    | --    |
| 0012   | LAFN09421 |           | LEVIER -                               | 1,00     |          |    | --    |
| 0013   | VTRS13947 |           | RONDELLE D. 8 INX UNI 6592             | 7,00     |          |    | --    |
| 0014   | VTVT00140 |           | VIS TE M8x30                           | 2,00     |          |    | --    |
| 0015   | VTDD01695 |           | ECROU M 8 INX                          | 15,00    |          |    | --    |
| 0016   | VTDD00176 |           | ECROU M.12 INOX A2 BASSO AUTOB.        | 1,00     |          |    | --    |
| 0017   | RTRT00689 |           | ROUE TOURNANTE D.80X40 GREYTHANE 75SHA | 1,00     |          |    | --    |
| 0018   | VTVT00781 |           | VIS TSPEI M.8-25                       | 1,00     |          |    | --    |
| 0019   | MPVR06505 |           | COUVERTURE ELECTRONIC BOX CT51         | 1,00     |          |    | --    |
| 0020   | VTRS13750 |           | RONDELLE D. 5X14 INX                   | 4,00     |          |    | --    |
| 0021   | VTVT01366 |           | VIS M4X16                              | 1,00     |          |    | --    |
| 0022   | VTRS00515 |           | RONDELLE D. 4 INX                      | 1,00     |          |    | --    |
| 0023   | VTDD00055 |           | ECROU M 4 ATB A2                       | 1,00     |          |    | --    |
| 0024   | VTVT00017 |           | VIS TE UNI 5739 8X35 ZB                | 2,00     |          |    | --    |
| 0025   | LAFN11014 |           | PIVOT -                                | 1,00     |          |    | --    |
| 0026   | LAFN11077 |           | PLAQUE -                               | 1,00     |          |    | --    |
| 0027   | VTVT01322 |           | VIS TSPEI 8X45 UNI5933 INX             | 2,00     |          |    | --    |
| 0028   | VTVT01297 |           | VIS M 4X 8 TCB-TC UNI 8112             | 6,00     |          |    | --    |
| 0029   | VTVR00335 |           | TIRANT -                               | 1,00     |          |    | --    |
| 0030   | VTDD15521 |           | ECROU M 8 INX A2 UNI 5588              | 1,00     |          |    | --    |
| 0031   | VTVT01431 |           | VIS M8X40                              | 1,00     |          |    | --    |
| 0032   | MPVR10765 |           | SUPPORT FOR CLAMP                      | 1,00     |          |    | --    |
| 0033   | FSVR00049 |           | COLLIER 4,5x200 black                  | 1,00     |          |    | --    |
| 0034   | VTRS00017 |           | RONDELLE ACCIAIO INOX 4X12             | 1,00     |          |    | --    |
| 0035   | VTRS15146 |           | RONDELLE GROVER A2 UNI1751             | 4,00     |          |    | --    |
| 0036   | VTRS15919 |           | RONDELLE D.12 GROVER UNI 1751 INX      | 1,00     |          |    | --    |



|                                |          |                                |                   |       |
|--------------------------------|----------|--------------------------------|-------------------|-------|
| INDI                           | DATA     | DESCRIZIONE                    | MODIFICA          | FIRMA |
| 3                              | 20/09/19 | Tradotte le scritte in inglese |                   |       |
| MATERIALE:                     | -        | R:0 N/mm <sup>2</sup>          | DISEGN: Azzolini  |       |
| STATO:                         | -        | PESO:0 gr                      | FIECN: Reccanello |       |
| TRATTAM:                       | -        | DUREZZA:-                      | DATA: 2019-09-20  |       |
| DENOMINAZIONE:                 |          | CODICE:                        | COD.COMM:         |       |
| WIRING DIAGRAM CT51-CT71 BT-XP |          | PLDC03769_3                    | -                 |       |