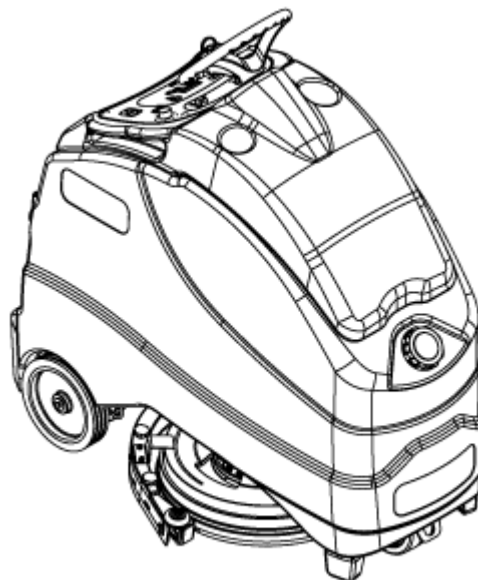


SC1500 20D, 20R Advance

Model:
SC1500 20D - Advance
SC1500 20R



Part List US-English

21-08-2013

Table of Contents

SC1500 20D, 20R Advance

GENERAL VIEW	3
CHASSIS SYSTEM	5
DRIVE WHEEL ASSEMBLY	8
PLATFORM ASSEMBLY	10
CONTROL SYSTEM	12
DECAL SYSTEM	14
ELECTRICAL SYSTEM	16
RECOVERY SYSTEM	18
SCRUB SYSTEM-20D	20
SCRUB SYSTEM 20D (2)	23
SCRUB SYSTEM-REV	25
SOLUTION SYSTEM	28
SQUEEGEE SYSTEM	31
LADDER DIAGRAM	33
LADDER DIAGRAM 2	35
OPTIONAL KITS AND ACCESSORIES	37
RECOMMENDED SPARE PARTS	39
BRUSH SELECTOR GUIDE	45
PAD SELECTOR GUIDE	47
SQUEEGEE BLADE SELECTOR GUIDE	49
56104403 - ONBOARD CHARGER KIT-EU	51

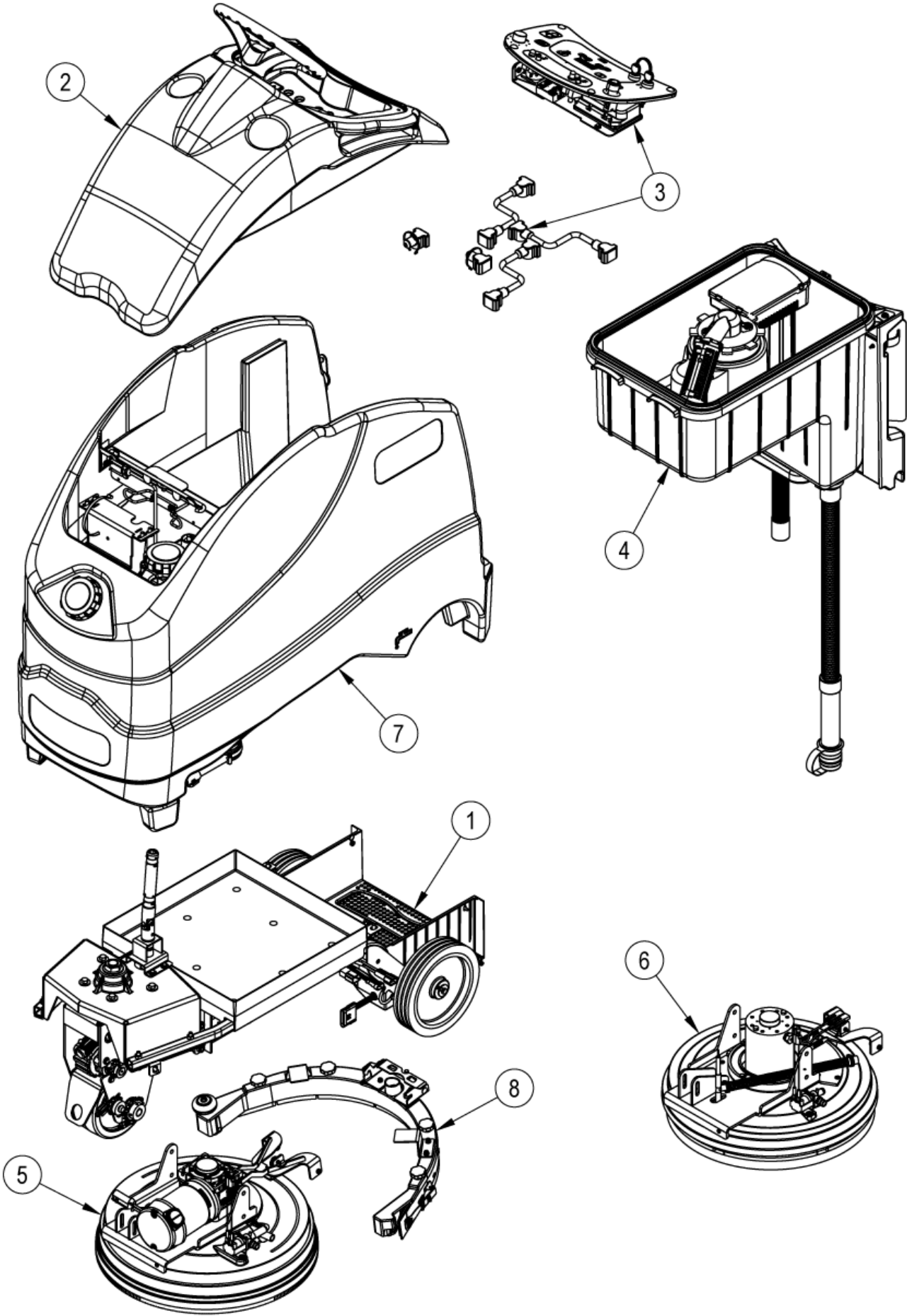
GENERAL VIEW

SC1500 20D, 20R Advance

21-08-2013

Part List ID
SC1500AV02

3



GENERAL VIEW

SC1500 20D, 20R Advance

21-08-2013

Part List ID
SC1500AV02

4

Pos	Part no.	Qty	Description
1		1	NOTE COMMENT CHASSIS SYSTEM
2		1	NOTE COMMENT CONTROL SYSTEM
3		1	NOTE COMMENT ELECTRICAL SYSTEM
4		1	NOTE COMMENT RECOVERY SYSTEM
5		1	NOTE COMMENT SCRUB SYSTEM-20D
6		1	NOTE COMMENT SCRUB SYSTEM-REV
7		1	NOTE COMMENT SOLUTION SYSTEM
8		1	NOTE COMMENT SQUEEGEE ASSY

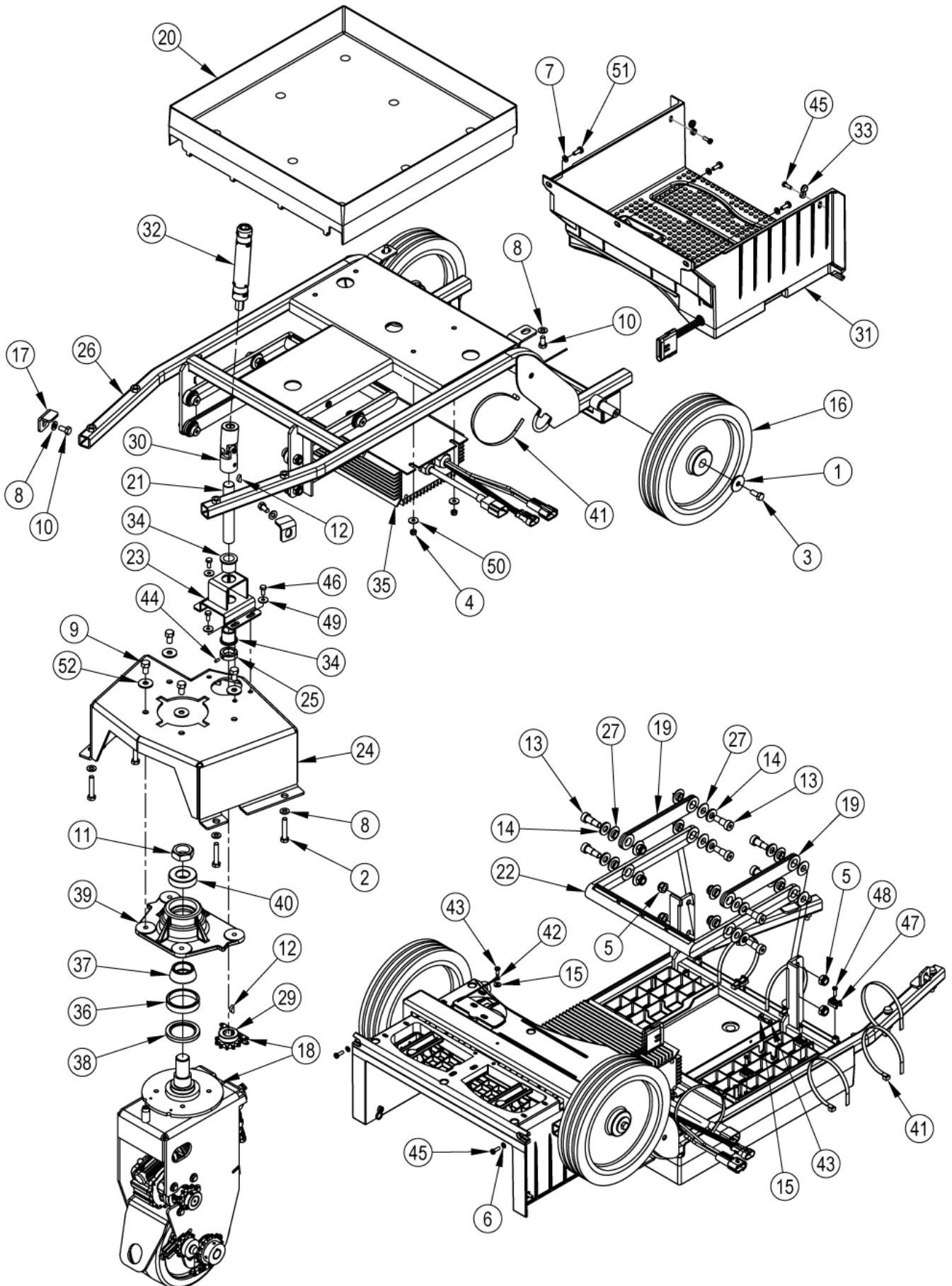
CHASSIS SYSTEM

SC1500 20D, 20R Advance

21-08-2013

Part List ID
SC1500AV04

5



CHASSIS SYSTEM

SC1500 20D, 20R Advance

21-08-2013

Part List ID
SC1500AV04

6

Pos	Part no.	Qty	Description	
1		2	NOTE COMMENT	WASHER, FLAT XL 9X32
2		4	NOTE COMMENT	SCREW, HEX HD M8X45-
3		2	NOTE COMMENT	SCREW, HEX THD TO HD M8X20 SS
4		4	NOTE COMMENT	NUT, HEX NYL LOC THIN M6
5		8	NOTE COMMENT	NUT, HEX NYL LOC THIN M10
6		2	NOTE COMMENT	WASHER, FLAT 5,3X10
7		3	NOTE COMMENT	WASHER, FLAT 6,4X12,5
8		8	NOTE COMMENT	WASHER, FLAT 8.4X16X1.6
9		4	NOTE COMMENT	SCR-HEX HD LOC 3/8-16X.62
10		4	NOTE COMMENT	SCR-HEX M8-1.25 X 16MM
11		1	NOTE COMMENT	NUT, HEX NYL LOC-THIN 1-14
12		2	NOTE COMMENT	KEY-WDF 5MMX6.5MMX16MM
13		8	NOTE COMMENT	SCR-SOC SHD M12X16MMX M10-1.50
14		8	NOTE COMMENT	WSH-FLT 12MM
15		2	NOTE COMMENT	WSH, INT SHPRF 10
16		2	NOTE COMMENT	WHEEL
17	56104091	2	MOUNTING TAB	
19	56104094	2	BAR-LINKAGE	
20	56104105	1	BATTERY TRAY	
21	56104130	1	STEERING SHAFT	
22	56104135	1	LINK BAR	
23	56104148	1	STEERING SHAFT WELDT	
24	56104151	1	SPINDLE MOUNT WELDMENT	
25	56104157	1	COLLAR	
26	56104170	1	CHASSIS WELDMENT	
27		16	NOTE COMMENT	BUSHING LINK ARM
28	56104239	1	HARNESS-DRIVE MOTOR	
29	56104269	1	SPROCKET-11 TOOTH	
30		1	NOTE COMMENT	UNIVERSAL JOINT
32	56104319	1	TUBE-STEERING ASSEMBLY KIT	
33		2	NOTE COMMENT	SCREW CAP
34	56104407	2	BEARING -FLANGE	
35	56112544	1	BATTERY CHARGER 24V 25A	
36		1	NOTE COMMENT	BEARING CUP
37		1	NOTE COMMENT	BEARING CONE
38		1	NOTE COMMENT	SEAL,SHAFT
39	56314032	1	BLOCK BEARING	
40		1	NOTE COMMENT	BEARING BALL
41		6	NOTE COMMENT	TIE, CABLE
42		1	NOTE COMMENT	CHAIN - BALL
43		2	NOTE COMMENT	SCR, PAN HD THD FORM
44		1	NOTE COMMENT	SCR, SOC SET
45		4	NOTE COMMENT	SCR, PAN PHIL M5X16

CHASSIS SYSTEM

SC1500 20D, 20R Advance

21-08-2013

Part List ID
SC1500AV04

7

Pos	Part no.	Qty	Description
46		3	NOTE COMMENT SCREW, HEX THD TO HD M6X14
47		5	NOTE COMMENT FLAT TIE HOLDER
48		5	NOTE COMMENT THREAD ROLLING SCR 5X16
49		3	NOTE COMMENT WASHER, FLAT XL
50		4	NOTE COMMENT WASHER, FLAT XL SS
51		3	NOTE COMMENT SCR, PAN PHIL M6X16
52		4	NOTE COMMENT WASHER, FLAT XL 9.5X27X2.5
K1	56104328	1	UNIVERSAL JOINT KIT
K2	56104331	1	REAR WHEEL KIT
K3	56104332	1	BEARING BLOCK KIT
K4	56104333	1	CHASSIS HARDWARE KIT

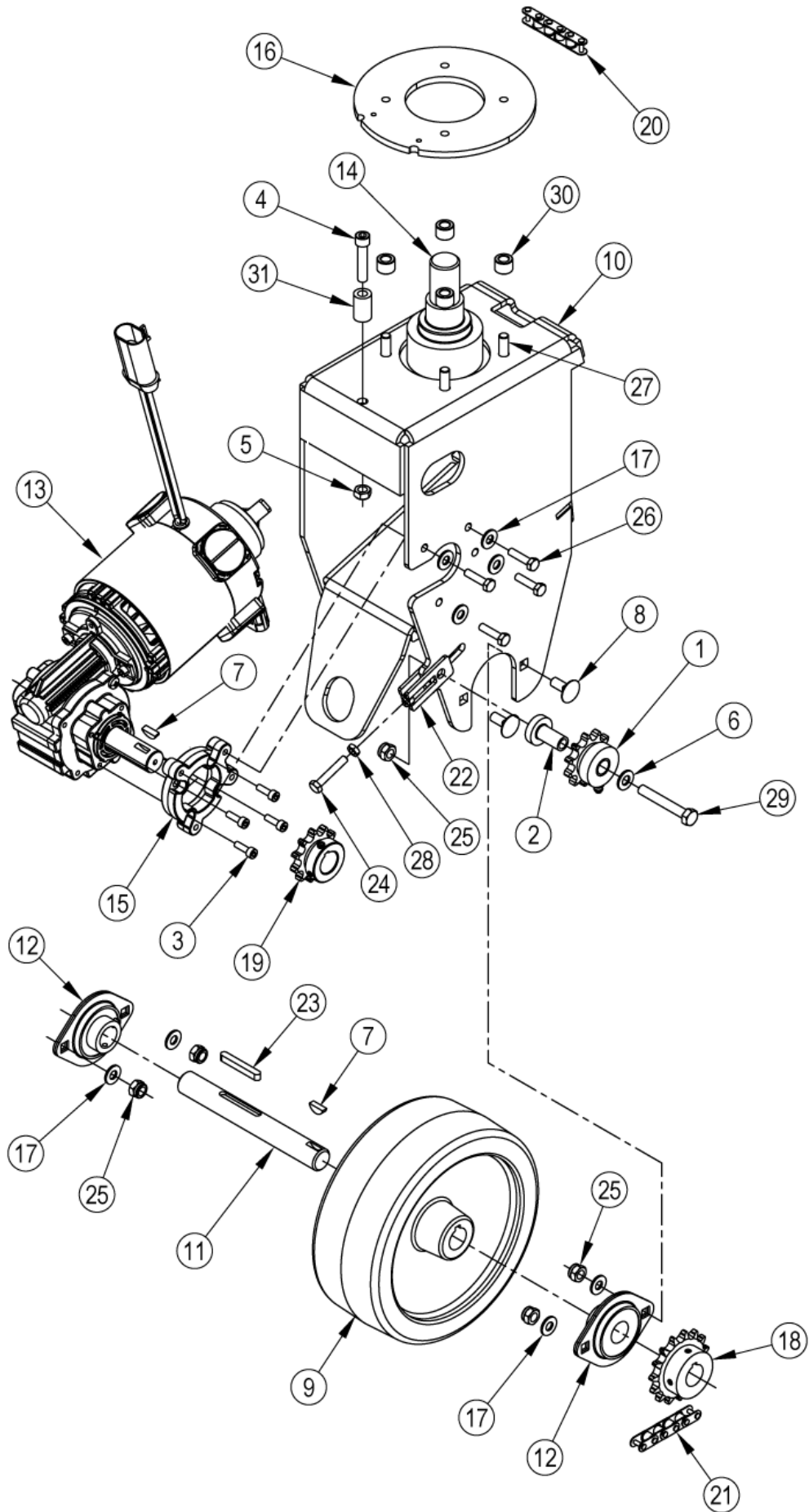
DRIVE WHEEL ASSEMBLY

SC1500 20D, 20R Advance

21-08-2013

Part List ID
SC150006

8



DRIVE WHEEL ASSEMBLY

SC1500 20D, 20R Advance

21-08-2013

Part List ID
SC150006

9

Pos	Part no.	Qty	Description	
1		1	NOTE COMMENT	SPROCKET ASSY
2		1	NOTE COMMENT	BUSHING, FLANGED
3		4	NOTE COMMENT	VITI TCEI/SCR, SOC HD
4		1	NOTE COMMENT	SCR-SOC HD 5/16-18 X 1.50
5		1	NOTE COMMENT	NUT, HEX NYL LOC-THIN 5/16-18
6		1	NOTE COMMENT	WSH-FLT SAE SS 5/16
7		2	NOTE COMMENT	KEY-WDF 5MMX6.5MMX16MM
8		4	NOTE COMMENT	SCR-CARRIAGE SS M8-1.25 X 20MM
9		1	NOTE COMMENT	DRIVE WHEEL
10	56104058	1	DRIVE WHEEL FRAME WELDT	
11		1	NOTE COMMENT	AXLE
12		2	NOTE COMMENT	AXLE BEARING
13		1	NOTE COMMENT	DRIVE WHEEL MOTOR (M1)
14	56104077	1	SPINDLE WELDT	
15		1	NOTE COMMENT	SPACER
16	56104115	1	STEERING PLATE	
17		8	NOTE COMMENT	WASHER, FLAT 8X17X1.6 SS
18		1	NOTE COMMENT	SPROCKET-15 TOOTH
19		1	NOTE COMMENT	SPROCKET-11 TOOTH
20	56104270	1	CHAIN-ROLLER	
21		1	NOTE COMMENT	CHAIN-ROLLER
22		1	NOTE COMMENT	WELD'T-IDLER ADJUST
23		1	NOTE COMMENT	KEY, 6MM SQ
24		1	NOTE COMMENT	SCREW, HEX THD TO HD M6X35 SS
25		5	NOTE COMMENT	NUT, HEX NYL LOC THIN M8 SS
26		4	NOTE COMMENT	SCREW, HEX THD TO HD M6X25 SS
27		4	NOTE COMMENT	SCREW, HEX THD TO HD M8X30 SS
28		1	NOTE COMMENT	NUT, HEX M6 SS
29		1	NOTE COMMENT	SCREW, HEX THD TO HD M8X55 SS
30		4	NOTE COMMENT	SPACER
31		1	NOTE COMMENT	SPACER
K5	56104336	1	DRIVE WHEEL MOTOR KIT	Includes pos. 3,7,13,15,17,26,
K6	56104338	1	WHEEL AND BEARING KIT	Includes pos. 7,8,9,11,12,17,25,26
K7	56104339	1	SPROCKET AND CHAIN KIT	Includes pos. 1,2,6,4,18,19,21,22,24,25,28,29
K8	56104340	1	DRIVE WHEEL HARDWARE KIT	Includes pos. 2,3,4,8,6,8,17,24-31
K9	56104384	1	FRONT WHEEL BEARINGS KIT	Includes pos. 8,12,17,25

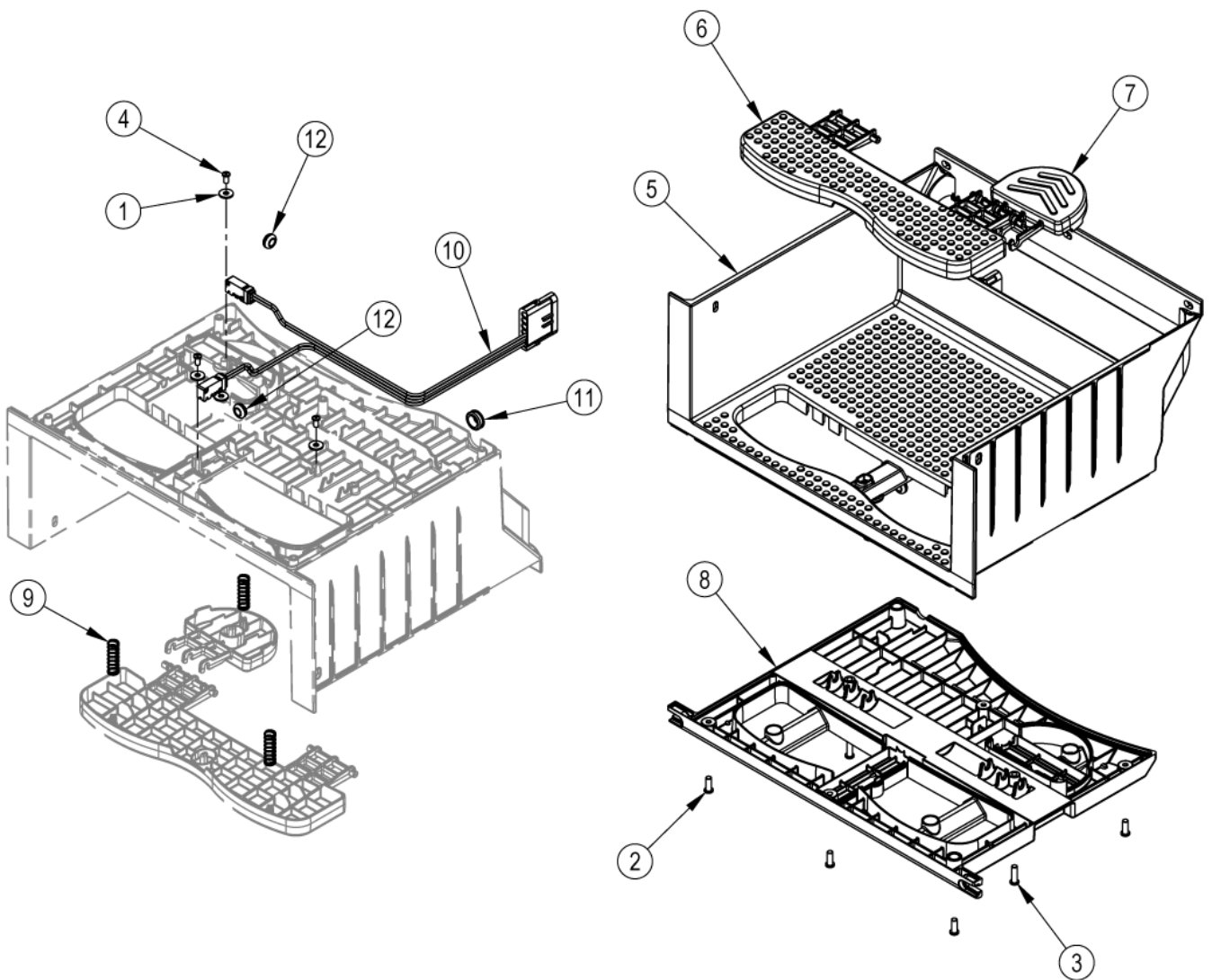
PLATFORM ASSEMBLY

SC1500 20D, 20R Advance

21-08-2013

Part List ID
SC150008

10



PLATFORM ASSEMBLY

SC1500 20D, 20R Advance

21-08-2013

Part List ID
SC150008

11

Pos	Part no.	Qty	Description	
0		1	NOTE COMMENT	Platform Assembly
1		4	NOTE COMMENT	Washer
2		6	NOTE COMMENT	Scr-Pan Phil Plast M6x2.5x16mm
3		2	NOTE COMMENT	Scr-Pan Phil Plast M6x2.5x20mm
4		4	NOTE COMMENT	Scr-Pan Phil Plast M5x2.3x10mm
5	56104052	1	PLATFORM-UPPER	
6	56104185	1	PEDAL-SAFETY	
7	56104186	1	FOOT PEDAL	
8	56104187	1	PLATFORM-BOTTOM	
9	56104277	3	COMPRESSION SPRING	
10	56104406	1	SWITCH HARNESS	
11	56158690	1	GROMMET .687 E00059	
12	56331006	2	GROMMET E00059	
K1	56104417	1	PLATFORM ASSEMBLY KIT	Includes Pos. 1, 2, 3, 4

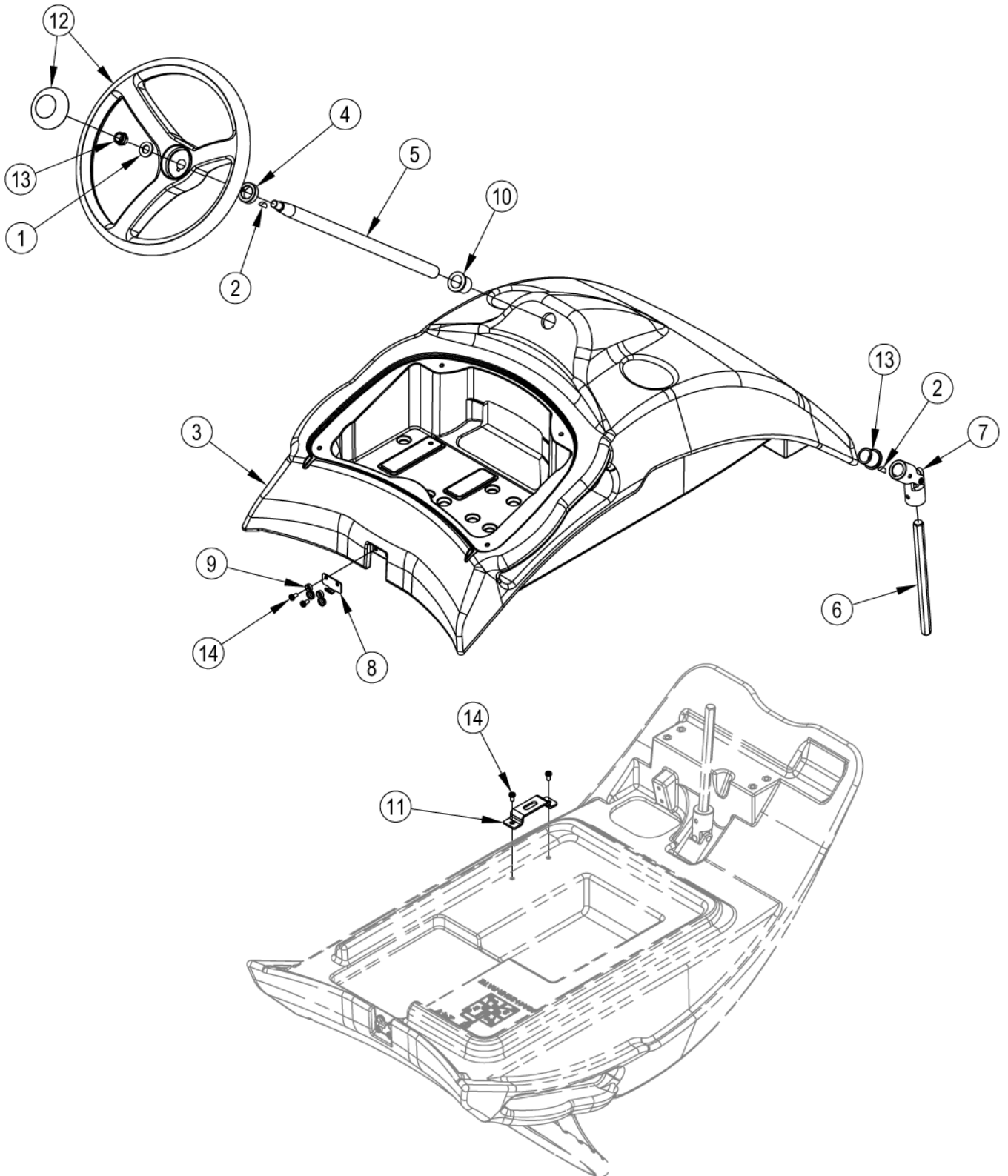
CONTROL SYSTEM

SC1500 20D, 20R Advance

21-08-2013

Part List ID
SC150010

12



CONTROL SYSTEM

SC1500 20D, 20R Advance

21-08-2013

Part List ID
SC150010

13

Pos	Part no.	Qty	Description	
1		1	NOTE COMMENT	WASHER, FLAT 13X24
2		2	NOTE COMMENT	KEY-WDF 5MMX6.5MMX16MM
3	56104053	1	CONTROL PANEL	
4		1	NOTE COMMENT	COLLAR
5	56104196	1	SHAFT STEERING	
6	56104265	1	SHAFT HEX	
7		1	NOTE COMMENT	UNIVERSAL JOINT
8		1	NOTE COMMENT	HOOK LATCH
9		2	NOTE COMMENT	SCREW CAP
10		2	NOTE COMMENT	BEARING-FLANGE
11	56104410	1	BRACKET-PROP ROD	
12	56601060	1	STEERING WHEEL	
13		1	NOTE COMMENT	NUT, HEX NYL LOC THIN M12
14		4	NOTE COMMENT	SCR, PAN PHIL M5X10 SS
K1	56104328	1	UNIVERSAL JOINT KIT	Includes pos. 7
K2	56104352	1	DRAW LATCH KIT	Includes pos. 28,9,14
K3	56104365	1	CONTROL HARDWARE KIT	Includes pos. 1,2,4,9,13,14

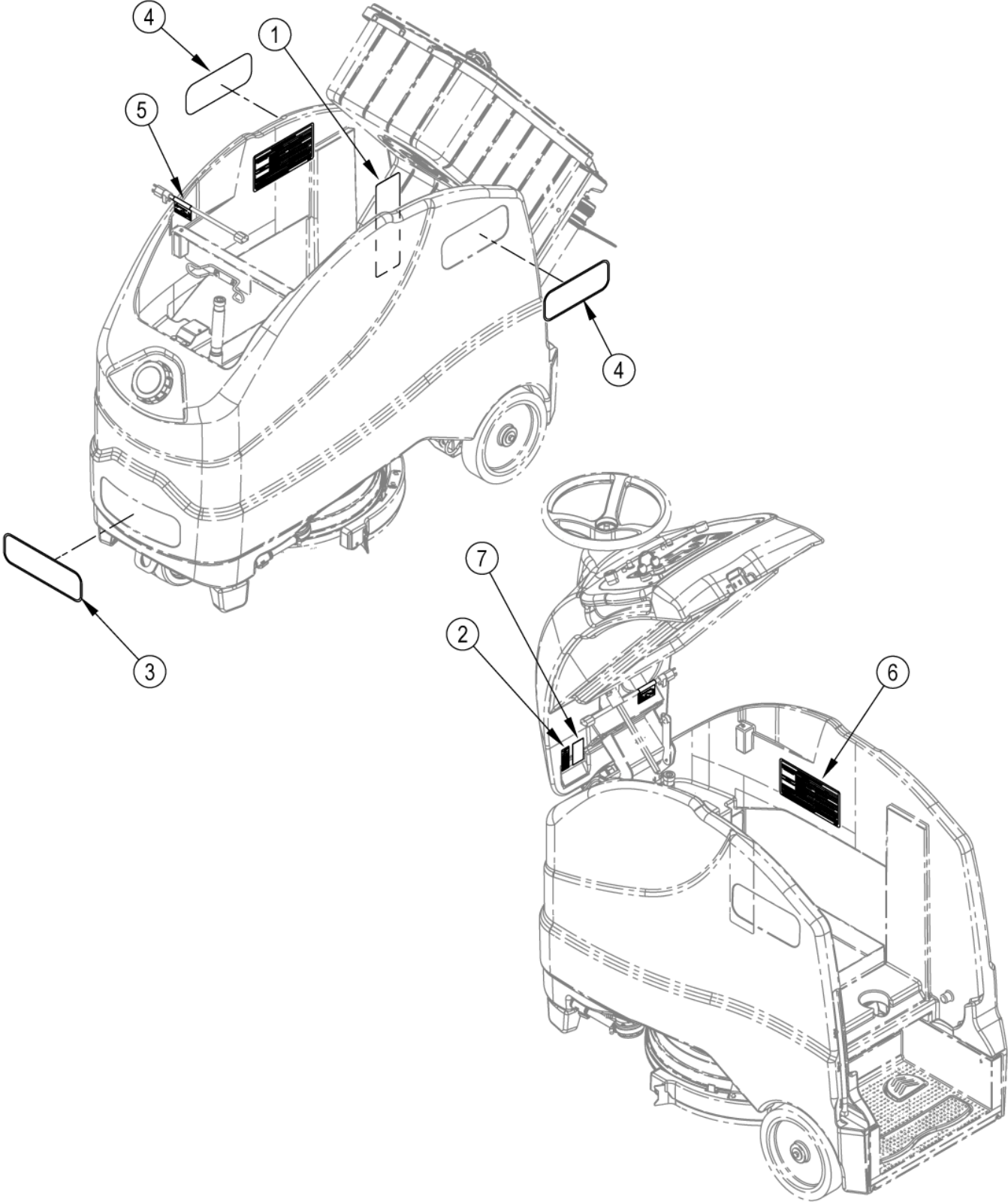
DECAL SYSTEM

SC1500 20D, 20R Advance

21-08-2013

Part List ID
SC1500AV12

14



DECAL SYSTEM

SC1500 20D, 20R Advance

21-08-2013

Part List ID
SC1500AV12

15

Pos	Part no.	Qty	Description
1		1	NOTE COMMENT DECAL, CAUTION
2		1	NOTE COMMENT DECAL-CHEMICAL RATIO
3		1	NOTE COMMENT DECAL-ADVANCE
4		2	NOTE COMMENT DECAL-SC1500
4		2	NOTE COMMENT DECAL-SC1500 REV
5		1	NOTE COMMENT DECAL-CHARGER CORD
6		1	NOTE COMMENT DECAL-ERROR CODES
7		1	NOTE COMMENT LABEL, NFSI
K1	56104334	1	DECAL SC1500 KIT
K2	56104348	1	DECAL SC1500 REV KIT

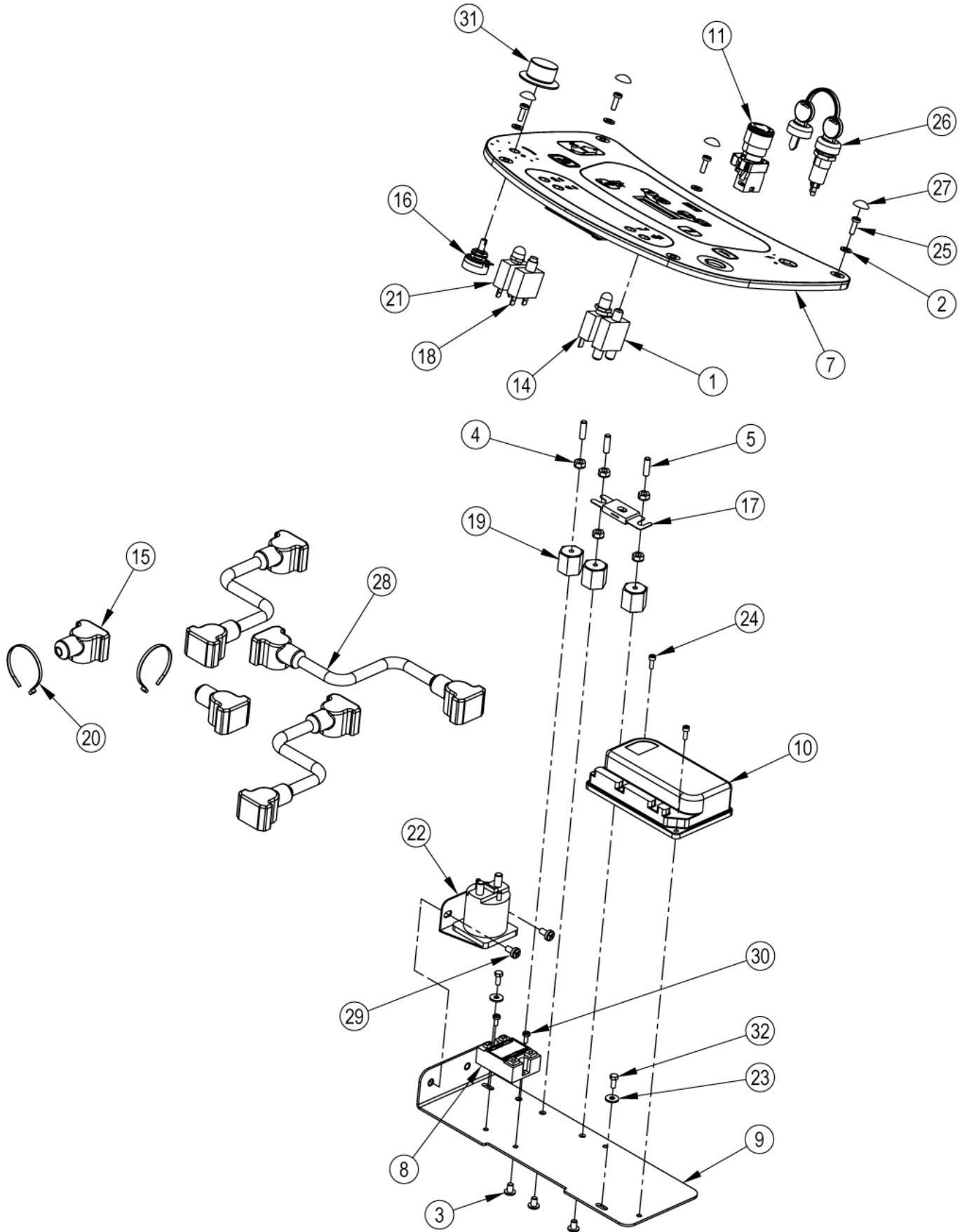
ELECTRICAL SYSTEM

SC1500 20D, 20R Advance

21-08-2013

Part List ID
SC1500AV14

16



ELECTRICAL SYSTEM

SC1500 20D, 20R Advance

21-08-2013

Part List ID
SC1500AV14

17

Pos	Part no.	Qty	Description	
2		4	NOTE COMMENT	WASHER, FLAT 6,4X12,5
3		3	NOTE COMMENT	SCR-PAN PHIL 1/4-20 X .38
4		5	NOTE COMMENT	NUT, HEX W/ SHPRF 1/4-20
5		3	NOTE COMMENT	STUD
6	56104083	1	HARNESS-MAIN	
7		1	NOTE COMMENT	INTERFACE PANEL ASSEMBLY (A1)
7		1	NOTE COMMENT	KIT-INTERFACE PANEL
8	56104176	1	SOLID STATE RELAY	
9	56104193	1	ELECTRICAL PANEL	
10	56104243	1	SPEED CONTROLLER	
11	56104247	1	DISCONNECT-EMERGENCY	
12	56104282	1	CABLE-POWER RED	
13	56104283	1	CABLE-POWER BLACK	
14	56315255	1	CIRCUIT BREAKER 5 AMP	
15	56372673	2	BOOT BATTERY POST	
16	56396197	1	POTENTIOMETER 100K	
17	56412089	1	FUSE 150 AMP	
18	56413822	1	CIRCUIT BREAKER 20 AMP	
19	56469858	3	INSULATED STANDOFF	
20	56478246	2	CABLE TIE E00549 RE438BA	
21	56509623	1	CIRCUIT BREAKER-25 AMP	
22	56601183	1	CONTACTOR 24V 100 AMP	
23		2	NOTE COMMENT	WASHER, FLAT XL 5,5X15X1,2 SS
24		2	NOTE COMMENT	VITI TCEI/SCR, SOC HD
25		4	NOTE COMMENT	SCR, PAN PHIL M5X16
26	146 2888 000	1	SWITCH KEY WITH CAP	
27		4	NOTE COMMENT	COVER FOR SCREW TCB 4.8MM
28	40172A	3	CABLESERIES5/16RING W/BOOTS	
29		2	NOTE COMMENT	SCR, PAN PHIL M6X12
30		2	NOTE COMMENT	SCR, PAN PHIL M4X10
31	50962A	1	KNOB CONTROL ENCORE 2426	
32		2	NOTE COMMENT	SCREW, HEX THD TO HD M5X12
K1	56104341	1	ELECTRICAL HARDWARE KIT	
K2	56104371	1	CONTROL BOARD KIT	
K3	56104372	1	INTERFACE PANEL KIT	

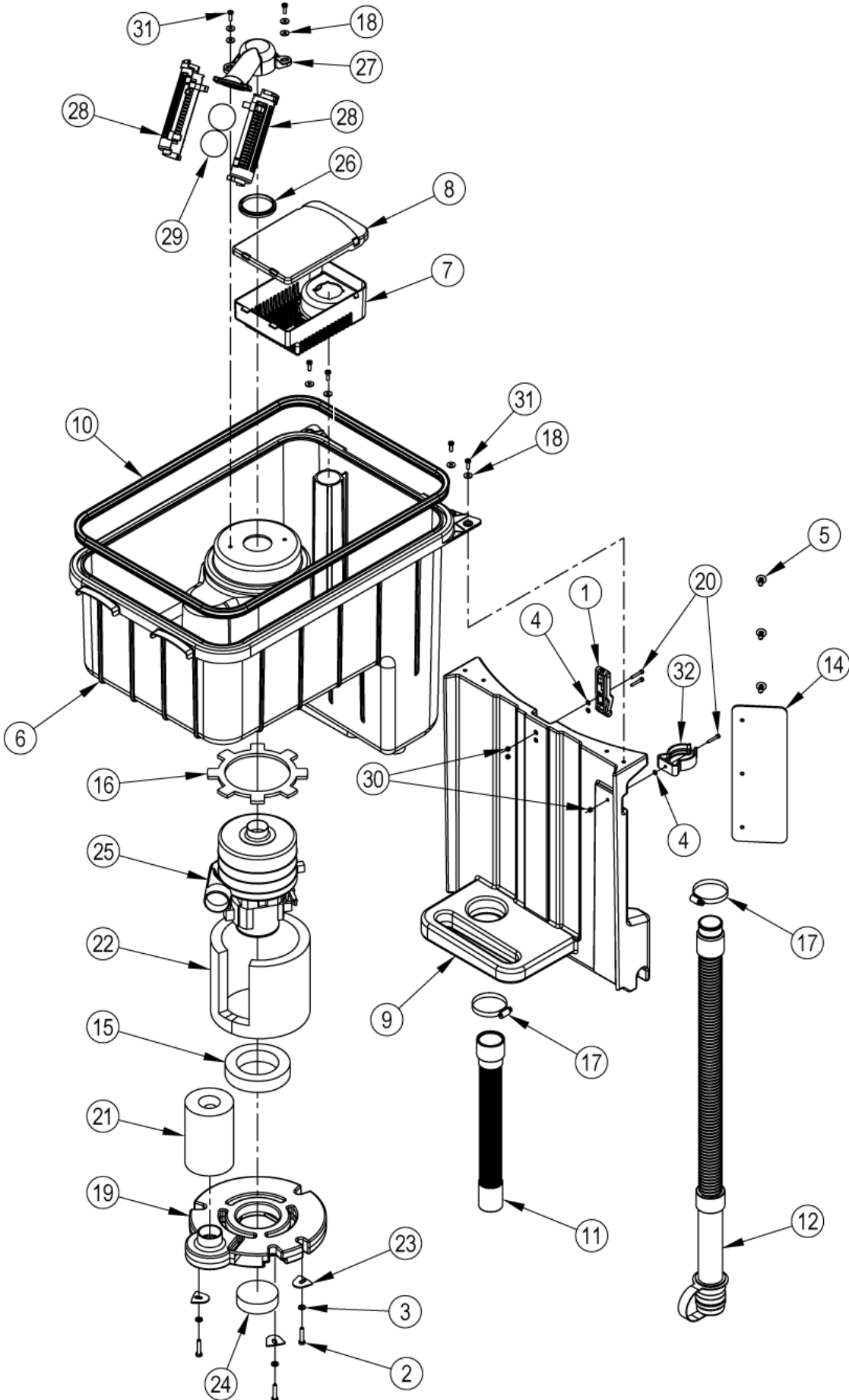
RECOVERY SYSTEM

SC1500 20D, 20R Advance

21-08-2013

Part List ID
SC1500AV16

18



RECOVERY SYSTEM

SC1500 20D, 20R Advance

21-08-2013

Part List ID
SC1500AV16

19

Pos	Part no.	Qty	Description	
1		1	NOTE COMMENT	LATCH, DRAW
2		3	NOTE COMMENT	SCREW, HEX THD TO HD M6X30
3		3	NOTE COMMENT	WASHER, FLAT 6,4X12,5 S.S.
4		3	NOTE COMMENT	WASHER, FLAT 4,3X9
5		3	NOTE COMMENT	RIVET, NYLON TREE PUSH-IN (.25)
6	56104051	1	RECOVERY TANK	
7		1	NOTE COMMENT	DEBRIS CAGE
8		1	NOTE COMMENT	DEBRIS TRAY COVER
9	56104158	1	BACK PANEL	
10	56104164	1	GASKET-RECOVERY TANK KIT	
11	56104258	1	VAC HOSE ASSY	
12	56104285	1	DRAIN HOSE	
13	56104306	1	HARNESS-JUMPER	
14	56104320	1	SPLASH GUARD	
15		1	NOTE COMMENT	VACUUM MOTOR SUPPORT GASKET
16		1	NOTE COMMENT	GASKET, VACUUM MOTOR
17	56440213	2	CLAMP HOSE SAE 32E00047	
18		8	NOTE COMMENT	WASHER, FLAT XL 5,5X15X1,2 SS
19	909 6051 000	1	COVER.VACUUM MOTOR	
20		3	NOTE COMMENT	VITI TCEI/SCR, SOC HD
21		1	NOTE COMMENT	INSULATION TUBE
22		1	NOTE COMMENT	PANEL, ACOUSTIC INSULATION
23		3	NOTE COMMENT	PLATE COVER
24	909 6672 000	1	FILTER	
25		1	NOTE COMMENT	VACUUM MOTOR 3 STAGE 24V (M4)
26		1	NOTE COMMENT	GASKET FLOAT SUPPORT
27		1	NOTE COMMENT	SUPPORT FLOAT SUPPORT SYSTEM
28		2	NOTE COMMENT	FLOAT CAGE
29		2	NOTE COMMENT	BALL FLOAT
30		3	NOTE COMMENT	NUT, HEX NYL LOC THIN M4 SS
31		6	NOTE COMMENT	SCR,PAN PHIL M5X16 SS
32		1	NOTE COMMENT	CLAMP, HOSE D.50
K1	56104352	1	DRAW LATCH KIT	
K2	56104359	1	KIT FLOAT CAGE	Only for US
K4	56104360	1	DEBRIS CAGE KIT	
K5	56104362	1	HOSE CLAMP KIT	
K6	56104363	1	VACUUM MOTOR KIT	
K7	56104364	1	RECOVERY HARDWARE KIT	
K8	56104383	1	VACUUM MOTOR INSULATION KIT	

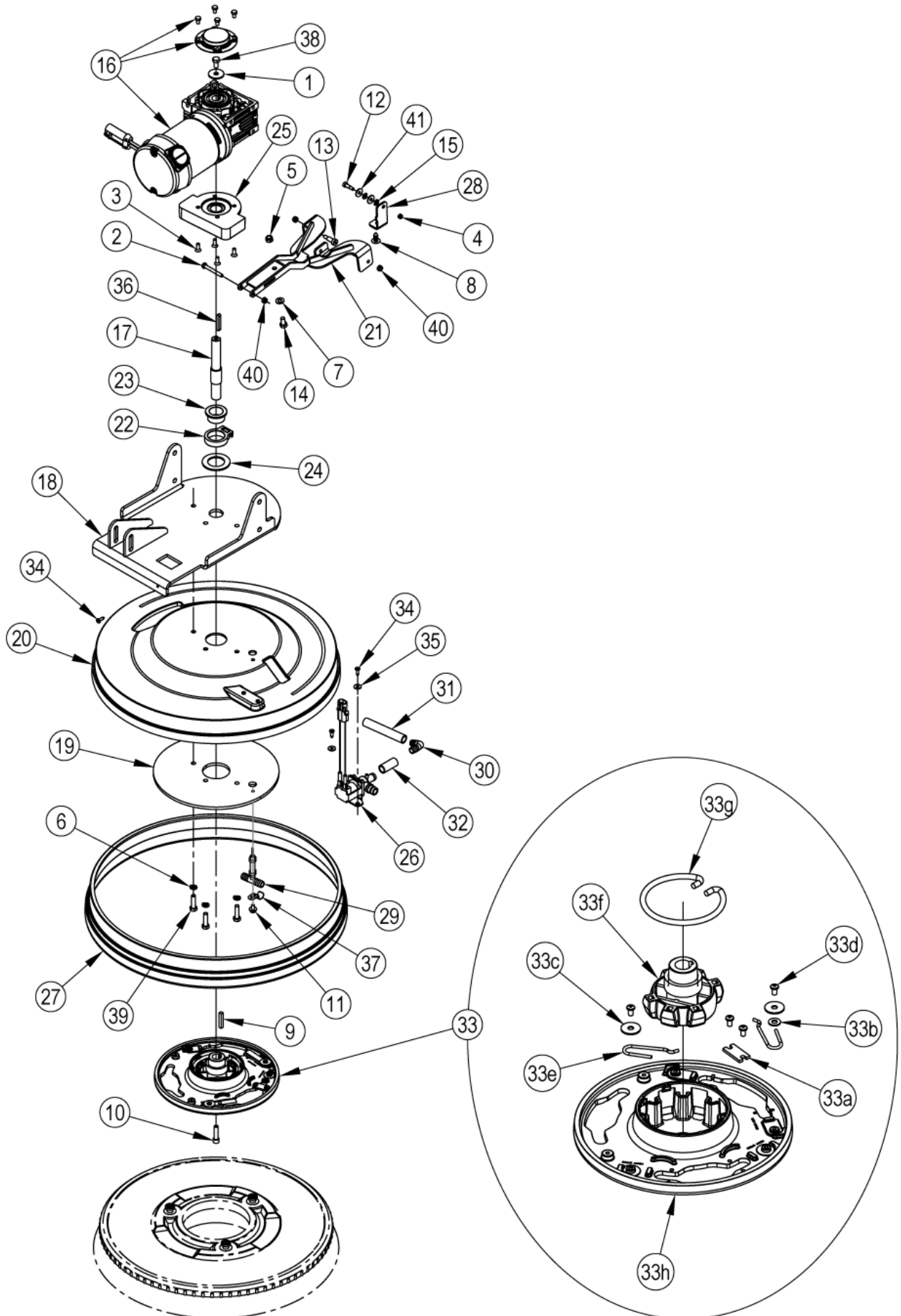
SCRUB SYSTEM-20D

SC1500 20D, 20R Advance

21-08-2013

Part List ID
SC150018

20



SCRUB SYSTEM-20D

SC1500 20D, 20R Advance

21-08-2013

Part List ID
SC150018

21

Pos	Part no.	Qty	Description	
1		1	NOTE COMMENT	WASHER, FLAT XL 9X32
2		1	NOTE COMMENT	SCREW, HEX THD TO HD M6X50
3		4	NOTE COMMENT	SCREW, FLAT SOCKET HEAD
4		1	NOTE COMMENT	NUT, HEX NYL LOC THIN M5
5		1	NOTE COMMENT	NUT, HEX NYL LOC THIN M8
6		3	NOTE COMMENT	WASHER, SPLIT LOCK D.8
7		1	NOTE COMMENT	WASHER, FLAT 8.4X16X1.6
8		1	NOTE COMMENT	RIVET, NYLON TREE PUSH-IN (.25)
9		1	NOTE COMMENT	KEY, SQUARE .25 X 1.44
A	56104297	1	MOTOVARIO GEARBOX 15/1	
B	56104298	1	MOTOR	
C	56104300	1	BRUSH HOUSING ASSEMBLY	
D	56601588	1	COVER AND SCREWS	
E	56601508	1	PLASTIC COVER	
F	56601534	1	CARBON BRUSH	
10		1	NOTE COMMENT	SCR-SOC HD 5/16-18 X 1.25 ZINC
11		1	NOTE COMMENT	SCR-HEX THD FORM M6 X 10MM
12		1	NOTE COMMENT	SCR-SOC SHD M6X12MM X M5-0.8
13		2	NOTE COMMENT	SCR-SOC SHD M8X16MM X M6-1.00
14		1	NOTE COMMENT	SCR-HEX PLASTIC M8-1.25 X 16MM
15		2	NOTE COMMENT	WSH, BOWED .266X.500X.060
16	56104071	1	DISC BRUSH MOTOR	
17	56104095	1	SHAFT DISC BRUSH MOTOR	
18	56104117	1	DECK LIFT PLATE WELDMENT	
19	56104120	1	LOWER DECK PLATE	
20	56104121	1	BRUSH HOUSING	
21	56104126	1	SQUEEGEE LINK WELDMENT	
22		1	NOTE COMMENT	SQUEEGEE PIVOT BLOCK
23		1	NOTE COMMENT	BEARING FLANGE
24		1	NOTE COMMENT	SQUEEGEE PIVOT WASHER
25	56104137	1	SPACER MOTOR	
26	56104169	1	SOLENOID VALVE ASSY KIT	
27	56104240	1	SKIRT BRUSH	
28	56104241	1	DOUBLE SCRUB BRKT	
29	56314983	1	TEE ASSEMBLY	
30	56386183	1	HOSE BARB 90 DEG	
31	56397209	1	HOSE PVC .500X4.0 E00199	
32	56397217	1	HOSE PVC .500X1.50 E00199	
33	56601733	1	BRUSH PLATE ASSY RT	
34		3	NOTE COMMENT	SCR, PAN HD THD FORM
35		2	NOTE COMMENT	WASHER, FLAT XL 5.5X15X1,2 SS
36		1	NOTE COMMENT	KEY
37	909 5483 000	1	CLAMP D.16	

SCRUB SYSTEM-20D

SC1500 20D, 20R Advance

21-08-2013

Part List ID
SC150018

22

Pos	Part no.	Qty	Description	
38		1	NOTE COMMENT	SCREW, HEX THD TO HD M8X16 LOCTITE
39		3	NOTE COMMENT	SCREW, HEX THD TO HD M8X30 SS
40		3	NOTE COMMENT	NUT, HEX NYL LOC THIN M6 SS
41		2	NOTE COMMENT	WASHER, FLAT XL SS
K1	56104344	1	SQUEEGEE PIVOT KIT	Includes pos. 22-24
K2	56104346	1	DISC DECK HARDWARE KIT	Includes pos. 1-15,33b-c-d,34-36,38-41
33A	56366455	1	PLATE CV24B	
33B		1	NOTE COMMENT	WSH, FLT STD 10
33C		2	NOTE COMMENT	WSH, FLT .266 X .906 X .060
33D		4	NOTE COMMENT	SCR, PAN PHIL PLASTITE 10-14 X .38
33E	56109653	2	SPRING RETAINER	
33F	56112521	1	GIMBAL-COLLAR ASSEMBLY	
33G	56601056	1	SPRING BRUSH HOLDER	
33H	56601118	1	BRUSH PLATE	

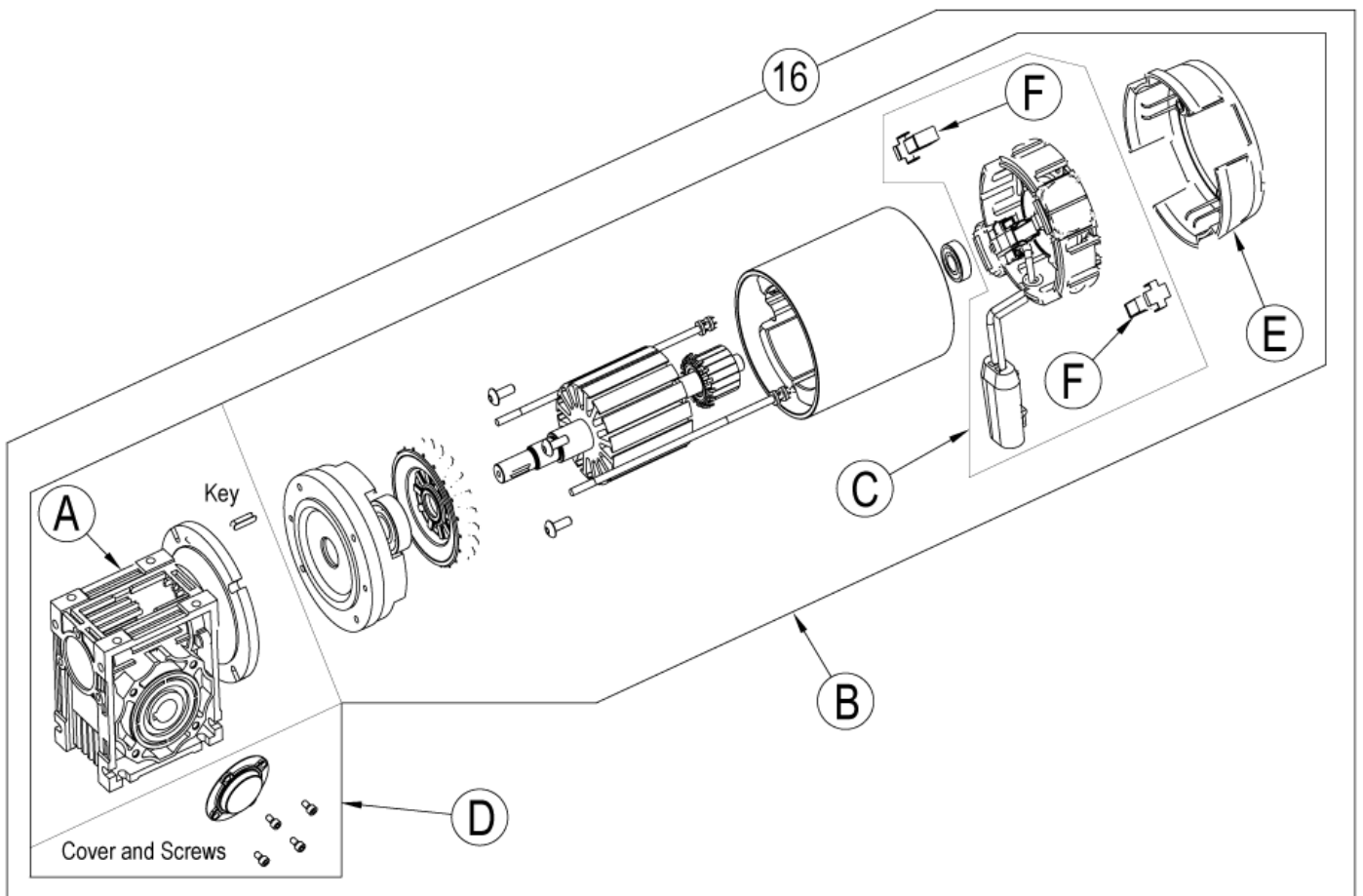
SCRUB SYSTEM 20D (2)

SC1500 20D, 20R Advance

21-08-2013

Part List ID SC150036

23



SCRUB SYSTEM 20D (2)

SC1500 20D, 20R Advance

21-08-2013

Part List ID
SC150036

24

Pos	Part no.	Qty	Description
A	56104297	1	MOTOVARIO GEARBOX 15/1
B	56104298	1	MOTOR
C	56104300	1	BRUSH HOUSING ASSEMBLY
D	56601588	1	COVER AND SCREWS
E	56601508	1	PLASTIC COVER
F	56601534	1	CARBON BRUSH
16	56104071	1	DISC BRUSH MOTOR

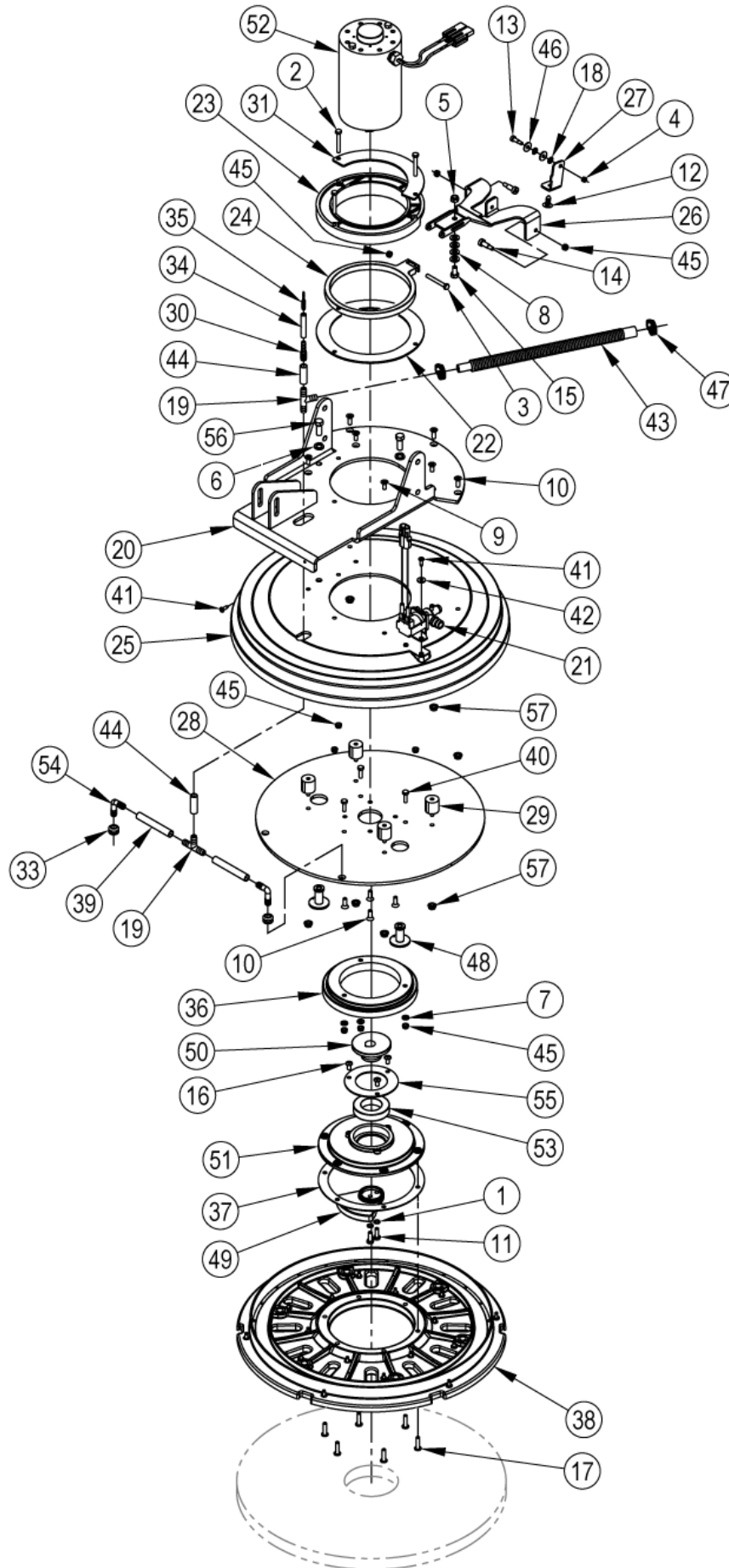
SCRUB SYSTEM-REV

SC1500 20D, 20R Advance

21-08-2013

Part List ID
SC1500AV20

25



SCRUB SYSTEM-REV

SC1500 20D, 20R Advance

21-08-2013

Part List ID
SC1500AV20

26

Pos	Part no.	Qty	Description
1		2	NOTE COMMENT HELICAL SPRING LOCK WASHER 1/4
2		3	NOTE COMMENT SCREW, HEX THD TO HD M6X45
3		1	NOTE COMMENT SCREW, HEX THD TO HD M6X50
4		1	NOTE COMMENT NUT, HEX NYL LOC THIN M5
5		1	NOTE COMMENT NUT, HEX NYL LOC THIN M8
6		2	NOTE COMMENT WASHER, SPLIT LOCK D.10
7		3	NOTE COMMENT WASHER, FLAT 6.4X12.5 S.S.
8		4	NOTE COMMENT WASHER, FLAT 8.4X16X1.6
9		4	NOTE COMMENT SCR-FLT PHIL 1/4-20 X .62
10		7	NOTE COMMENT SCR-FLT PHIL LOC 1/4-20 X .75
11		2	NOTE COMMENT SCR-HEX HD LOC 1/4-20X.75
12		1	NOTE COMMENT RIVET, NYLON TREE PUSH-IN (.25)
13		1	NOTE COMMENT SCR-SOC SHD M6X12MM X M5-0.8
14		2	NOTE COMMENT SCR-SOC SHD M8X16MM X M6-1.00
15		1	NOTE COMMENT SCR-HEX PLASTIC M8- 1.25 X 16MM
16		3	NOTE COMMENT SCR-PAN PHIL LOC SS 1/4-20 X .50
17		6	NOTE COMMENT SCR-PAN PHIL LOC SS 1/4-20 X 1.00
18		2	NOTE COMMENT WSH, BOWED .266X.500X.060
19		2	NOTE COMMENT TEE, HOSE
20	56104138	1	REV LIFT PLATE WELDMENT
21	56104169	1	SOLENOID VALVE ASSY KIT
22		1	NOTE COMMENT WASHER SQUEEGEE
23		1	NOTE COMMENT BUSHING SQUEEGEE
24	56104201	1	PLATE PIVOT
25	56104202	1	HOUSING REV
26	56104203	1	SQUEEGEE LINK WELDMENT
27	56104241	1	DOUBLE SCRUB BRKT
28	56104244	1	PLATE MOTOR
29		4	NOTE COMMENT ISOLATOR-40 DURO 1/4-20
30		1	NOTE COMMENT REDUCER BARB
31		1	NOTE COMMENT BRKT-SQUEEGEE BUSHING
32	56114200	1	CONNECTOR ADAPTOR
33		2	NOTE COMMENT GROMMET
34		1	NOTE COMMENT HOSE,CHEM RESISTANT, 2"
35		1	NOTE COMMENT REDUCER,BARB
36	56390011	1	SHIELD SPLASH
37	56390038	1	GASKET DRIVER
38	56390044	1	PAD DRIVER ASSY
39		2	NOTE COMMENT CLEAR VINYL HOSE
40		3	NOTE COMMENT SCREW, HEX THD TO HD M6X20
41		3	NOTE COMMENT SCR, PAN HD THD FORM
42		2	NOTE COMMENT WASHER, FLAT XL 5.5X15X1,2 SS
43		1	NOTE COMMENT HOSE SOLUTION FLEX

SCRUB SYSTEM-REV

SC1500 20D, 20R Advance

21-08-2013

Part List ID
SC1500AV20

27

Pos	Part no.	Qty	Description	
44		2	NOTE COMMENT	HOSE CLEAR VINYL 3/8 ID X 1 1/2
45		9	NOTE COMMENT	NUT, HEX NYL LOC THIN M6 SS
46		2	NOTE COMMENT	WASHER, FLAT XL SS
47		2	NOTE COMMENT	CLAMP, HOSE
48	56381532	2	STUD STABILIZER SHORT	
49	56390002	1	WEIGHT COUNTER	
50	56390021	1	ECCENTRIC	
51	56390027	1	DRIVER MOTOR	
52	56390072	1	MOTOR 24VDC	
52	56412287	1	MOTOR BRUSH/SPRING KIT	
53	50736A	1	BEARINGBALL OBS-18 6008	
54		2	NOTE COMMENT	HOSEBARB, 90 DEGREE
55	61775A	1	RETAINER BEARING	
56		2	NOTE COMMENT	SCREW 3/8-24 X 1 HEX HEAD
57		7	NOTE COMMENT	NUT, SERRATED FLANGE
K1	56104367	1	REV DECK HARDWARE KIT	
K2	56104368	1	REV SQUEEGEE PIVOT KIT	
K3	56104369	1	ISOLATOR KIT	
K4	56104370	1	REV SOLUTION HOSE KIT	

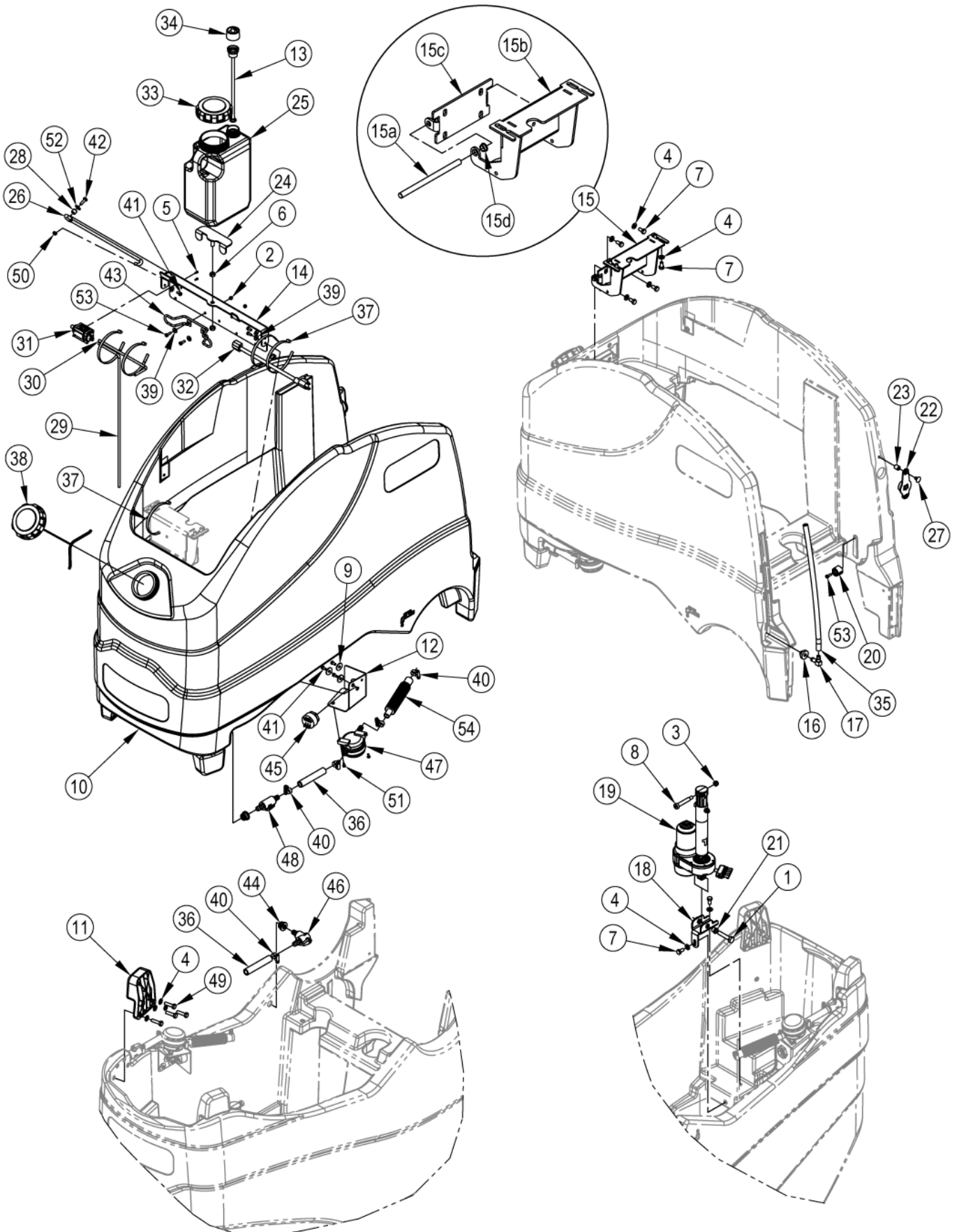
SOLUTION SYSTEM

SC1500 20D, 20R Advance

21-08-2013

Part List ID
SC1500AV22

28



SOLUTION SYSTEM

SC1500 20D, 20R Advance

21-08-2013

Part List ID
SC1500AVZ2

29

Pos	Part no.	Qty	Description	
1		1	NOTE COMMENT	SCREW, HEX THD TO HD M10X50
2		2	NOTE COMMENT	NUT, HEX NYL LOC THIN M5
3		1	NOTE COMMENT	NUT, HEX NYL LOC THIN M8
4		18	NOTE COMMENT	WASHER, FLAT 8.4X16X1.6
5		2	NOTE COMMENT	SCR, PAN PHIL THD FORM 6-32 X .31
6		2	NOTE COMMENT	NUT, HEX NYL LOC-THIN SS 3/8-16
7		10	NOTE COMMENT	SCR-HEX M8-1.25 X 16MM
8		1	NOTE COMMENT	SCR-SOC SHD M10X50MM X M8-1.25
9		3	NOTE COMMENT	WSH, FLT .266 X .906 X .060
10	56104050	1	SOLUTION TANK	
11	666666	2	NOTE COMMENT	TIP PAD
12	56104165	1	FILTER BRACKET	
13	56104189	1	INSERT-DRY BRAKE	
14	56104194	1	SUPPORT BRKT	
15	56104209	1	HINGE ASSEMBLY KIT	
16	56104229	1	GROMMET	
17	51526A	1	HOSEBARB 3/8 X 90 DEG	
18	56104234	1	ACTUATOR BRKT	
19		1	NOTE COMMENT	ACTUATOR ASSEMBLY (M3)
20	56104308	2	PIVOT BLOCK	
21		1	NOTE COMMENT	SPACER ACTUATOR
22		1	NOTE COMMENT	RUBBER SOLUTION CAP
23	56104390	1	INSERT-BRASS M8	
24	56104391	1	ADJUSTMENT PAD	
25	56104408	1	CHEMICAL BOTTLE ASSY	
26	56104409	1	PROP ROD	
27		1	NOTE COMMENT	CLIP, PANEL
28		1	NOTE COMMENT	BUSHING
29	56314942	1	HOSE CHEM RESISTANT	
30	56314991	1	HOSE CHEM RESISTANT 14	
31	56315241	1	PUMP CHEMICAL	
32	56315270	1	CHARGER CORD	
33	56315517	1	CAP	
34	56315523	1	CAP DRY BREAK 1/8 BARB	
35	56393382	1	HOSE E00552	
36		2	NOTE COMMENT	HOSE, SPIRAL .500
37	56477613	5	CABLE TIE E00549 RE409S	
38	56601599	1	CAP-RAW WITH TETHER	
39		5	NOTE COMMENT	WASHER, FLAT XL 5.5X15X1.2 SS
40		5	NOTE COMMENT	CLAMP, HOSE 8/9-16CLAMP, HOSE B32HS
41		6	NOTE COMMENT	SCR, PAN PHIL M5X12 SS
42		1	NOTE COMMENT	SCR, PAN PHIL M6X20 SS
43	909 5149 000	1	SUPPORT CABLE	

SOLUTION SYSTEM

SC1500 20D, 20R Advance

21-08-2013

Part List ID
SC1500AV22

30

Pos	Part no.	Qty	Description
44		2	NOTE COMMENT GASKET
45	909 6126 000	1	BUZZER 5-32V
46		1	NOTE COMMENT BALL VALVE 90°
47		1	NOTE COMMENT FILTER, WATER
48		1	NOTE COMMENT BALL VALVE
49		8	NOTE COMMENT SCREW, HEX THD TO HD M8X30 SS
50		1	NOTE COMMENT NUT, HEX NYL LOC THIN M6 SS
51		2	NOTE COMMENT SCR, PAN PHIL M4X10 SS
52		1	NOTE COMMENT WASHER, FLAT XL SS
53		4	NOTE COMMENT SCR,PAN PHIL M5X16 SS
54		1	NOTE COMMENT HOSE, SOLUTION
K1	56104349	1	SOLUTION DRAIN KIT
K2	56104350	1	SOLUTION HOSE KIT
K3	56104351	1	SOLUTION FILTER KIT
K4	56104354	1	SOLUTION CAP KIT
K5	56104356	1	ACTUATOR KIT
K6	56104357	1	TIP PAD KIT
K7	56104358	1	SOLUTION HARDWARE KIT
15A	56104206	1	HINGE PIN
15B	56104207	1	HINGE WELDMENT
15C	56104208	1	HINGE BRACKET
15D	56104249	2	BEARING FLANGE

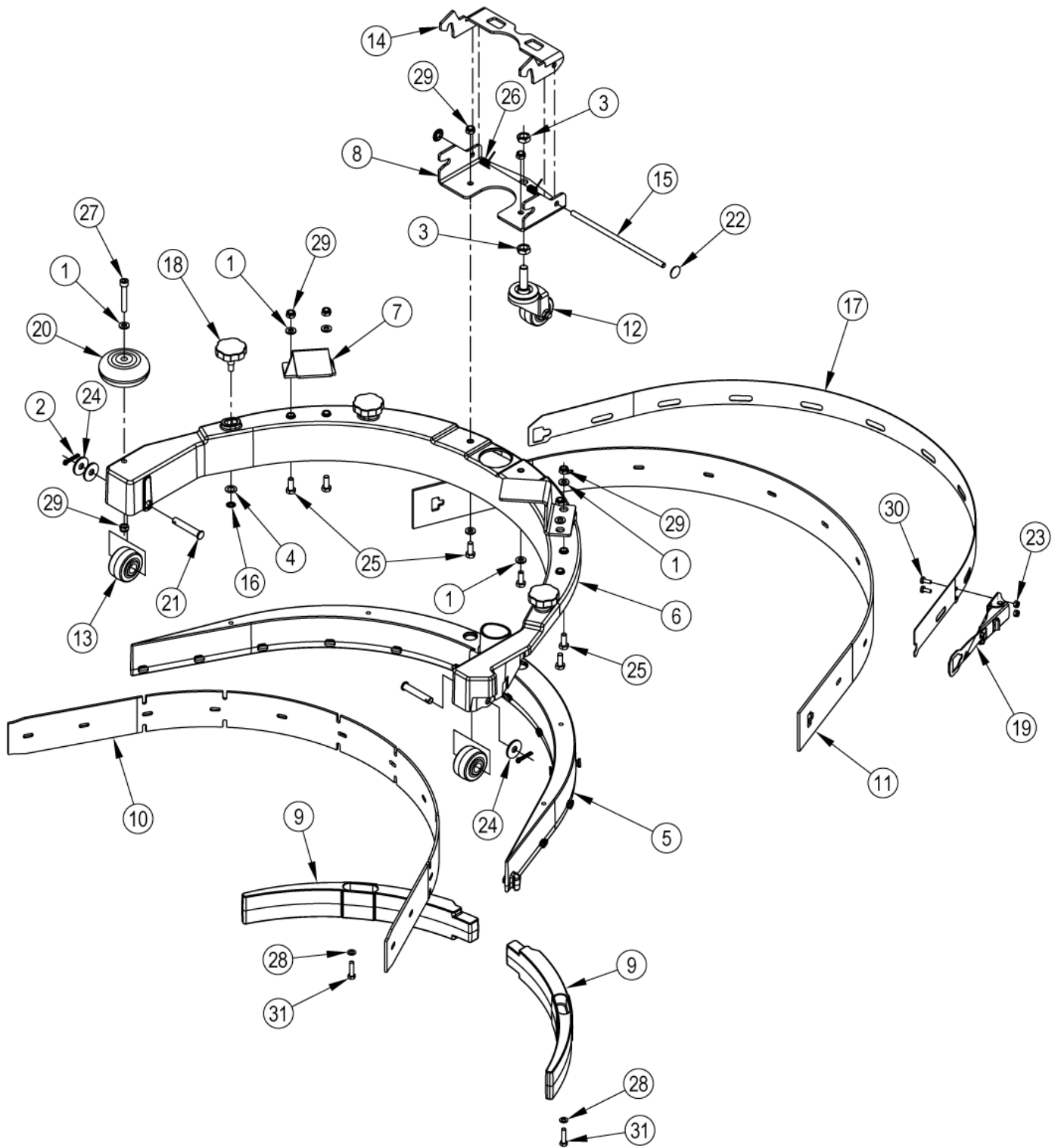
SQUEEGEE SYSTEM

SC1500 20D, 20R Advance

21-08-2013

Part List ID
SC1500AV24

31



SQUEEGEE SYSTEM

SC1500 20D, 20R Advance

21-08-2013

Part List ID
SC1500AV24

32

Pos	Part no.	Qty	Description
1		7	NOTE COMMENT WASHER, FLAT 6,4X12,5 S.S.
2		2	NOTE COMMENT PIN-COTTER 1/8 X .75
3		2	NOTE COMMENT NUT-HEX JAM SS 3/8-16
4		4	NOTE COMMENT WSH-FLT .328 X .563 X .031
5		1	NOTE COMMENT SQUEEGEE CASTING NOTE 2
6		1	NOTE COMMENT SQUEEGEE COVER
7		2	NOTE COMMENT SQUEEGEE LIFT BRACKET
8		1	NOTE COMMENT SQUEEGEE BRACKET
9		2	NOTE COMMENT SQUEEGEE PLATE
10		1	NOTE COMMENT BLADE-SQUEEGEE PU FRONT NOTE 1
10		1	NOTE COMMENT BLADE-SQUEEGEE RED GUM FRONT NOTE 1
11		1	NOTE COMMENT BLADE-SQUEEGEE PU REAR NOTE 1
11		1	NOTE COMMENT BLADE-SQUEEGEE RED GUM REAR NOTE 1
12		1	NOTE COMMENT CASTER WHEEL
13		2	NOTE COMMENT ROLLER WHEEL
14		1	NOTE COMMENT SQUEEGEE MOUNT BRKT
15		1	NOTE COMMENT PIVOT PIN
16		4	NOTE COMMENT RETAINING RING
17		1	NOTE COMMENT STRAP-SQUEEGEE REAR
18		4	NOTE COMMENT KNOB ASSEMBLY
19		1	NOTE COMMENT LATCH-T TAB ASSY
20		1	NOTE COMMENT ROLLER WHEEL
21		2	NOTE COMMENT PIN-CLEVIS .312 X 1.84
22		2	NOTE COMMENT PIN COVER-6MM
23		2	NOTE COMMENT NUT, HEX NYL LOC THIN M4 SS
24		3	NOTE COMMENT WASHER 8X24X2 UNI 6593 SS
25		6	NOTE COMMENT SCREW, HEX THD TO HD M6X16 SS
26		2	NOTE COMMENT SPRING ACC. LID LH
27		1	NOTE COMMENT VITI TCEI/SCR, SOC HD
28		2	NOTE COMMENT WASHER, FLAT 5.3X10X1 SS
29		7	NOTE COMMENT NUT, HEX NYL LOC THIN M6 SS
30		2	NOTE COMMENT SCR, PAN PHIL M4X10 SS
31		2	NOTE COMMENT SCREW, HEX THD TO HD M5X20 SS
K1	56104325	1	SQUEEGEE BLADE PU KIT
K2	56104326	1	SQUEEGEE BLADE RED GUM KIT
K3	56104327	1	SQUEEGEE HARDWARE KIT
K4	56104378	1	SQUEEGEE ASSY KIT
K5	56104382	1	SQUEEGEE KNOBS KIT
K6	56104385	1	SQUEEGEE WHEELS KIT
K7	56104386	1	SQUEEGEE STRAP KIT
K8	56104387	1	SQUEEGEE MOUNT BRKT KIT

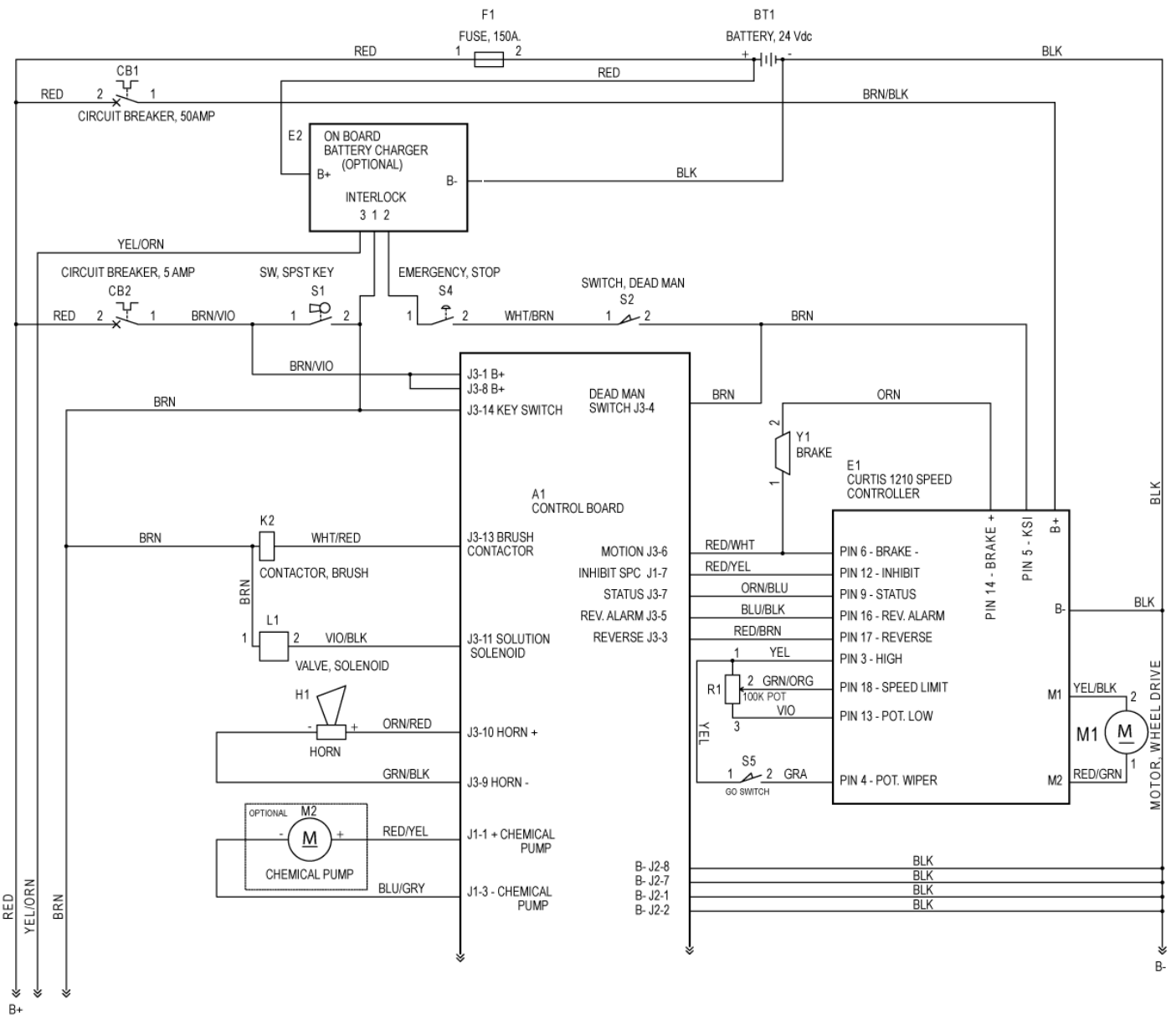
LADDER DIAGRAM

SC1500 20D, 20R Advance

21-08-2013

Part List ID
SC1500AV26

33



LADDER DIAGRAM

SC1500 20D, 20R Advance

21-08-2013

Part List ID
SC1500AV26

34

Pos	Part no.	Qty	Description	
A1		1	NOTE COMMENT	Control Board
E1	56104243	1	SPEED CONTROLLER	
E2	56112544	1	BATTERY CHARGER 24V 25A	
F1	56412089	1	FUSE 150 AMP	
H1	909 6126 000	1	BUZZER 5-32V	
K1	56104176	1	SOLID STATE RELAY	
K2	56601183	1	CONTACTOR 24V 100 AMP	
L1	56601064	1	SOLENOID VALVE ASSEMBLY	
M2	56315241	1	PUMP CHEMICAL	
M3	56104288	1	ACTUATOR ASSEMBLY KIT	
M4	9099929000	1	MOTOR VACUUM 3ST 24V 420W KIT	
M5	56104071	1	DISC BRUSH MOTOR	
M5	56390072	1	MOTOR 24VDC	
R1	56396197	1	POTENTIOMETER 100K	
S1	146 2888 000	1	SWITCH KEY WITH CAP	
S2		1	NOTE COMMENT	Switch-Sealed (part of Switch Harness 56104406)
S4	56104247	1	DISCONNECT-EMERGENCY	
S5		1	NOTE COMMENT	Switch-Sealed (part of Switch Harness 56104406)
Y1		1	NOTE COMMENT	Electrical Brake (part of Drive Wheel Motor 561040)
BT1		1	NOTE COMMENT	Battery
CB2	56315255	1	CIRCUIT BREAKER 5 AMP	
CB3	56413822	1	CIRCUIT BREAKER 20 AMP	
CB4	56509623	1	CIRCUIT BREAKER-25 AMP	

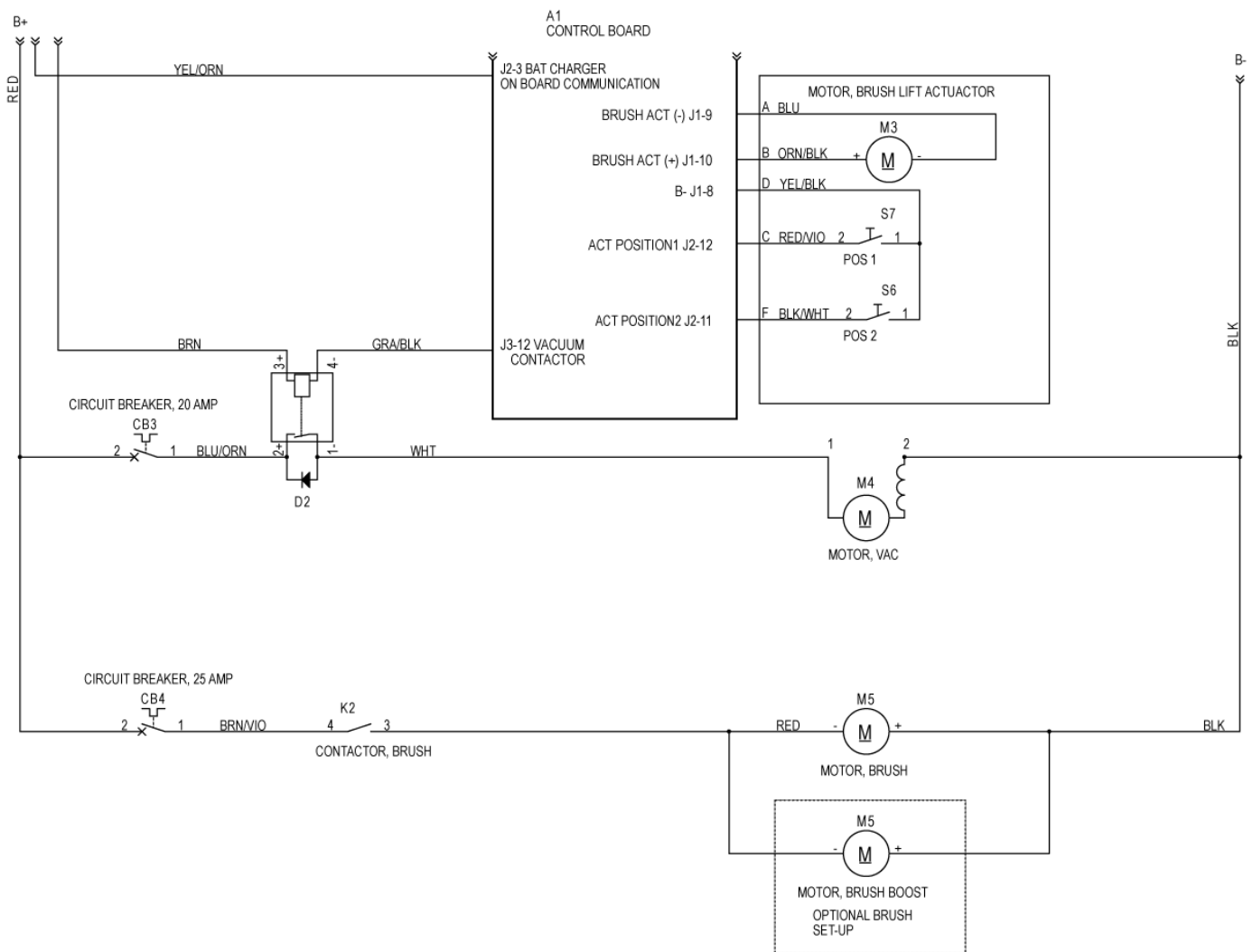
LADDER DIAGRAM 2

SC1500 20D, 20R Advance

21-08-2013

Part List ID
SC1500AV28

35



LADDER DIAGRAM 2

SC1500 20D, 20R Advance

21-08-2013

Part List ID
SC1500AV28

36

Pos	Part no.	Qty	Description	
A1		1	NOTE COMMENT	Control Board
E1	56104243	1	SPEED CONTROLLER	
E2	56112544	1	BATTERY CHARGER 24V 25A	
F1	56412089	1	FUSE 150 AMP	
H1	909 6126 000	1	BUZZER 5-32V	
K1	56104176	1	SOLID STATE RELAY	
K2	56601183	1	CONTACTOR 24V 100 AMP	
L1	56601064	1	SOLENOID VALVE ASSEMBLY	
M2	56315241	1	PUMP CHEMICAL	
M3	56104288	1	ACTUATOR ASSEMBLY KIT	
M4	9099929000	1	MOTOR VACUUM 3ST 24V 420W KIT	
M5	56104071	1	DISC BRUSH MOTOR	
M5	56390072	1	MOTOR 24VDC	
R1	56396197	1	POTENTIOMETER 100K	
S1	146 2888 000	1	SWITCH KEY WITH CAP	
S2		1	NOTE COMMENT	Switch-Sealed (part of Switch Harness 56104406)
S4	56104247	1	DISCONNECT-EMERGENCY	
S5		1	NOTE COMMENT	Switch-Sealed (part of Switch Harness 56104406)
Y1		1	NOTE COMMENT	Electrical Brake (part of Drive Wheel Motor 561040)
BT1		1	NOTE COMMENT	Battery
CB2	56315255	1	CIRCUIT BREAKER 5 AMP	
CB3	56413822	1	CIRCUIT BREAKER 20 AMP	
CB4	56509623	1	CIRCUIT BREAKER-25 AMP	

OPTIONAL KITS AND ACCESSORIES

21-08-2013

Part List ID
SC1500AV30

37

SC1500 20D, 20R Advance

Item	Ref. No.	Qty	Description
			Kits
*	56104403	1	Kit-On Board Charger-Eu
*	56104374	1	Kit-Shelf Charger Us
*	56104371	1	Kit-Control Board
*	56104372	1	Kit-Interface Panel
			Squeegee Blade Kits (See Squeegee Blade Selector Guide)
	56104325	1	Kit-Squeegee Blade PU NOTE 1
*	56104326	1	Kit-Squeegee Blade Red Gum NOTE 1
			Accessories
*	56397453	1	Indicator Battery Level
*	56409441	1	Programmer 1311np User
*	56409823	1	Programmer Cable
*	56104190	1	Ecoflex Bottle Assy
*	56104192	1	Kit-Chemical Injection Eu
*	56044628	1	Literature Pack
			20" Disk Scrub Brushes (See Brush Selector Guide)
*	56505790	1	Pad Holder-20 3 Lug
*	56505791	1	Disc Brush-20 Magnagrit 3 Lug
*	56505792	1	Disc Brush-20 Dyna Grit 3 Lug
*	56505793	1	Disc Brush-20 Aglite 3 Lug
*	56505794	1	Disc Brush-20 Prolene 3 Lug
*	56505795	1	Disc Brush-20 Prolite 3 Lug
*	56505796	1	Disc Brush-20 Union Mix 3 Lug
*	56505797	1	Disc Brush-20 Midgrit 3 Lug
*	56505798	1	Disc Brush-20 Midlite 3 Lug
*	976170	1	Pads Cs 20 Black Thin (Qty 5)
*	976070	1	Pads Cs 20 Brown 51 (Qty 5)
*	976069	1	Pads Cs 20 Blue 51 (Qty 5)
			REV Pads (See Pad Selector Guide)
*	56390045	1	Velcro 2 Sided 20
*	56390046	1	Pad Maroon Spp20 (Qty 5)
*	56390079	1	Pad Micro Fiber
*	976068	1	Pad 20-In Red 5100 (Qty 5)
*	976067	1	Pads Cs 20 White 51 (Qty 5)

* = Optional, Not Included

NOTE 1: All squeegee blade kits include both front and rear squeegee blades.

OPTIONAL KITS AND ACCESSORIES

SC1500 20D, 20R Advance

21-08-2013

Part List ID
SC1500AV30

38

Pos	Part no.	Qty	Description
1	56104403	1	CHARGER BATTERY ON BOARD EU KIT
2	56104374	1	KIT SHELF CHARGER US US only
3	56104371	1	CONTROL BOARD KIT
4	56104372	1	INTERFACE PANEL KIT
5	56104325	1	SQUEEGEE BLADE PU KIT
6	56104326	1	SQUEEGEE BLADE RED GUM KIT
7	56397453	1	INDICATOR BATTERY LEVEL
8	56409441	1	PROGRAMMER 1311NP USER
9	56409823	1	PROGRAMMER CABLE
10	56104190	1	ECOFLEX BOTTLE ASSY
11	56104192	1	CHEMICAL INJECTION EU KIT
13	56505790	1	PAD HOLDER-20 3 LUG
14	56505791	1	DISC BRUSH-20 MAGNAGRIT 3 LUG
15	56505792	1	DISC BRUSH-20 DYNA GRIT 3 LUG
16	56505793	1	DISC BRUSH-20 AGLITE 3 LUG
17	56505794	1	DISC BRUSH-20 PROLENE 3 LUG
18	56505795	1	DISC BRUSH-20 PROLITE 3 LUG
19	56505796	1	DISC BRUSH-20 UNION MIX 3 LUG
20	56505797	1	DISC BRUSH-20 MIDGRIT 3 LUG
21	56505798	1	DISC BRUSH-20 MIDLITE 3 LUG
22	976170	1	PADS CS 20 BLACK THIN CS/5EA
23	10001957	1	PAD 20 505MM ECO BROWN 5PCS
24	976069	1	PADS CS 20 BLUE 51 CS/5EA
25	56390045	1	VELCRO 2 SIDED 20
26	56390046	1	PAD MAROON SPP20 CS/10EA
27	56390079	1	PAD MICRO FIBER
28	10001959	1	PAD 20 505MM ECO RED 5PCS
29	976067	1	PADS CS 20 WHITE 51 CS/5EA

RECOMMENDED SPARE PARTS

SC1500 20D, 20R Advance

21-08-2013

Part List ID
SC1500AV32

39

CLASS

W = Normal Wear
O = Ordinary Maintenance
E = Extra-Ordinary Maintenance

CLASS PART NO. DESCRIPTION

CHASSIS SYSTEM

E	56104091	Mounting Tab
E	56104094	Bar Linkage
E	56104105	Battery Tray
E	56104130	Steering Shaft
E	56104135	Link Bar
E	56104148	Steering Shaft Weldt
E	56104151	Spindle Mount Weldment
E	56104157	Collar
E	56104170	Chassis Weldment
O	56104239	Harness-Drive Motor
O	56104269	Sprocket-11 Tooth
O	56104407	Bearing-Flange
E	56314032	Block, Bearing
E	56112544	Battery Charger 24v 25a
E	56104328	Kit-Universal Joint
O	56104331	Kit-Rear Wheel
E	56104332	Kit-Bearing Block
E	56104333	Kit-Chassis Hardware
E	56104336	Kit-Drive Wheel Motor
O	56104338	Kit-Wheel And Bearing
O	56104339	Kit-Sprocket And Chain
E	56104340	Kit-Drive Wheel Hardware
E	56104384	Kit-Front Wheel Bearings

CONTROL SYSTEM

E	56104053	Control Panel
E	56104196	Shaft Steering
E	56104265	Shaft Hex
E	56104410	Bracket-Prop Rod
E	56601060	Steering Wheel
E	56104058	Drive Wheel Frame Weldt
E	56104077	Spindle Weldt
E	56104115	Steering Plate
W	56104270	Chain-Roller
E	56104328	Kit-Universal Joint
E	56104352	Kit-Draw Latch
E	56104365	Kit-Control Hardware

ELECTRICAL SYSTEM

E	56386725	Circuit Breaker 50 Amp
E	56104083	Harness-Main
E	56104176	Solid State Relay
E	56104193	Electrical Panel
E	56104243	Speed Controller
E	56104247	Disconnect-Emergency
E	56104281	Cable-Power
E	56112354	Handle
E	56315255	Circuit Breaker, 5 Amp
E	56396197	Potentiometer, 100k
E	56409485	Cable, Battery
E	56412089	Fuse, 150 Amp
E	56413822	Circuit Breaker, 20 Amp
E	56469858	Electrical Mount
E	56509623	Circuit Breaker-25 Amp
E	56601172	Connector Assy
E	56601183	Contacto 24v, 100 Amp
E	1462888000	Switch, Key With Water Proof Cup
E	L08812063	Terminal Clamp Batt
E	L08812064	Terminal Clamp Batt
E	50962A	Knob, Speed Control
E	2-00-05171	Boot, Protective (Red)
E	2-00-05173	Battery Insulator
E	56104282	Cable-Power Red
E	56104283	Cable-Power Black
E	56372673	Boot-Battery Post
E	56478246	Tie, Cable
E	40172A	Cable, Battery
E	56104341	Kit-Electrical Hardware
E	56104371	Kit-Control Board
E	56104372	Kit-Interface Panel

CLASS PART NO. DESCRIPTION

PLATFORM ASSEMBLY

E	56104052	Platform-Upper
E	56104185	Pedal-Safety
E	56104186	Foot Pedal
E	56104187	Platform-Bottom
E	56104277	Compression Spring
O	56104406	Switch Harness
E	56158690	Grommet
E	56331006	Grommet
E	56104417	Kit-Platform Assembly

RECOVERY SYSTEM

E	56104051	Recovery Tank
E	56104158	Back Panel
O	56104164	Gasket-Recovery Tank
O	56104258	Vac Hose Assy
O	56104285	Drain Hose
E	56104306	Jumper Harness
E	56104320	Splash Guard
E	56440213	Clamp- Hose Sae #32
E	9096051000	Cover, Vac
O	9096672000	Filter
E	56104352	Kit-Draw Latch
E	56104359	Kit-Float Cage
E	56104360	Kit-Debris Cage
E	56104362	Kit-Hose Clamp
E	56104363	Kit-Vacuum Motor
E	56104364	Kit-Recovery Hardware
E	56104383	Kit-Vacuum Motor Insulation

SCRUB SYSTEM-20D

E	56104071	Disc Brush Motor
E	56104095	Shaft Disc Brush Motor
E	56104117	Deck Lift Plate Weldment
E	56104120	Lower Deck Plate
E	56104121	Brush Housing
E	56104126	Squeegee Link Weldment
E	56104137	Spacer Motor
E	56104169	Solenoid Valve Assy
E	56104240	Skirt Brush
E	56104241	Double Scrub Brkt
E	56314983	Tee Assembly
E	56386183	Barbed Elbow 90
E	56397209	Hose, Pvc, Clear .50 X 4.00
E	56397217	Hose, Pvc Clear
E	56601733	Brush Plate Assy Rt
E	56366455	Plate, Stop
E	56109653	Spring Retainer
E	56112521	Gimbal-Collar Assembly
E	56601056	Spring, Brush Holder
E	56601118	Brush Plate
O	9095483000	Hose Holder
E	56104297	Motovarrio Gearbox 15/1
E	56104298	Motor
E	56104300	Brush Housing Assembly
E	56601588	Cover And Screws
E	56601508	Plastic Cover
O	56601534	Carbon Brushes (2)
E	56104344	Kit-Squeegee Pivot
E	56104346	Kit-Disc Deck Hardware
E	56104347	Kit-Disc Deck Assy 20

SCRUB SYSTEM-REV

E	56104138	Rev Lift Plate Weldment
E	56104169	Solenoid Valve Assy
E	56104201	Plate Pivot
E	56104202	Housing Rev
E	56104203	Squeegee Link Weldment
E	56104241	Double Scrub Brkt
E	56104244	Plate Motor
E	56114200	Connector-Adaptor
E	56390011	Shield Splash
E	56390038	Gasket Driver

CLASS PART NO. DESCRIPTION

SCRUB SYSTEM-REV CONTINUED

E	56390044	Pad Driver Assy
E	56381532	Stud Stabilizer Short
E	56390002	Weight Counter
E	56390021	Eccentric
E	56390027	Driver Motor
E	56390072	Motor 24vdc
O	56412287	Carbon Brush Set Of 2 (For 56390072)
E	50736A	Bearing
E	61775A	Retainer, Bearing
E	56104366	Kit-Rev Deck Assy
E	56104367	Kit-Rev Deck Hardware
E	56104368	Kit-Rev Squeegee Pivot
E	56104369	Kit-Isolator
E	56104370	Kit-Rev Solution Hose

SOLUTION SYSTEM

E	56104050	Solution Tank
E	56104165	Filter Bracket
E	56104194	Support Brkt
E	56104209	Hinge Assembly
E	56104206	Hinge Pin
E	56104207	Hinge Weldment
E	56104208	Hinge Bracket
E	56104249	Bearing Flange
E	56104229	Grommet
E	56104230	Hosebarb .25x.50
E	56104234	Actuator Brkt
E	56104308	Pivot Block
E	56104390	Insert-Brass M8
E	56104391	Adjustment Pad
E	56104409	Prop Rod
E	56393382	Hose-Pvc Clear
E	56477613	Tie, Cable
E	56601599	Cap - Raw With Tether
E	9096126000	Buzzer 5-32v
E	56104189	Insert-Dry Break
E	56104408	Chemical Bottle Assembly
E	56314942	Hose, Chem Resistant
E	56314991	Hose, Chem Resistant 14"
E	56315241	Pump, Chemical
E	56315270	Charger Cord, Us
E	56315517	Cap, Raw
E	56315523	Cap, Dry Break, 1/8 Barb, 90
E	9095149000	Cable Support
E	56104349	Kit-Solution Drain
E	56104350	Kit-Solution Hose
E	56104351	Kit-Solution Filter
E	56104354	Kit-Solution Cap
E	56104356	Kit-Actuator
E	56104357	Kit-Tip Pad
E	56104358	Kit-Solution Hardware
E	56112355	Kit- Refilling Hose

SQUEEGEE SYSTEM

W	56104325	Kit-Squeegee Blade Pu
W	56104326	Kit-Squeegee Blade Red Gum
E	56104327	Kit-Squeegee Hardware
E	56104378	Kit-Squeegee Pivot
E	56104382	Kit-Squeegee Knobs
W	56104385	Kit-Squeegee Wheels
E	56104386	Kit-Squeegee Strap
E	56104387	Kit-Squeegee Mount Brkt

DECAL SYSTEM - SC1500

E	56104334	Kit-Decal Sc1500
---	----------	------------------

DECAL SYSTEM - SC1500 REV

E	56104348	Kit-Decal Sc1500 Rev
---	----------	----------------------

ACCESSORY / OPTIONS

E	56104374	Kit-Shelf Charger Us
---	----------	----------------------

RECOMMENDED SPARE PARTS

SC1500 20D, 20R Advance

21-08-2013

Part List ID
SC1500AV32

40

Pos	Part no.	Qty	Description
1	56104091	1	MOUNTING TAB
2	56104094	1	BAR-LINKAGE
3	56104105	1	BATTERY TRAY
4	56104130	1	STEERING SHAFT
5	56104135	1	LINK BAR
6	56104148	1	STEERING SHAFT WELDT
7	56104151	1	SPINDLE MOUNT WELDMENT
8	56104157	1	COLLAR
9	56104170	1	CHASSIS WELDMENT
10	56104239	1	HARNESS-DRIVE MOTOR
11	56104269	1	SPROCKET-11 TOOTH
12	56104407	1	BEARING -FLANGE
13	56314032	1	BLOCK BEARING
14	56112544	1	BATTERY CHARGER 24V 25A
15	56104328	1	UNIVERSAL JOINT KIT
16	56104331	1	REAR WHEEL KIT
17	56104332	1	BEARING BLOCK KIT
18	56104333	1	CHASSIS HARDWARE KIT
19	56104336	1	DRIVE WHEEL MOTOR KIT
20	56104338	1	WHEEL AND BEARING KIT
21	56104339	1	SPROCKET AND CHAIN KIT
22	56104340	1	DRIVE WHEEL HARDWARE KIT
23	56104384	1	FRONT WHEEL BEARINGS KIT
24	56104053	1	CONTROL PANEL
25	56104196	1	SHAFT STEERING
26	56104265	1	SHAFT HEX
27	56104410	1	BRACKET-PROP ROD
28	56601060	1	STEERING WHEEL
29	56104058	1	DRIVE WHEEL FRAME WELDT
30	56104077	1	SPINDLE WELDT
31	56104115	1	STEERING PLATE
32	56104270	1	CHAIN-ROLLER
33	56104328	1	UNIVERSAL JOINT KIT
34	56104352	1	DRAW LATCH KIT
35	56104365	1	CONTROL HARDWARE KIT
37	56104083	1	HARNESS-MAIN
38	56104176	1	SOLID STATE RELAY
39	56104193	1	ELECTRICAL PANEL
40	56104243	1	SPEED CONTROLLER
41	56104247	1	DISCONNECT-EMERGENCY
42	56104281	1	CABLE-POWER
43	56112354	1	HANDLE
44	56315255	1	CIRCUIT BREAKER 5 AMP

RECOMMENDED SPARE PARTS

SC1500 20D, 20R Advance

21-08-2013

Part List ID
SC1500AV32

41

Pos	Part no.	Qty	Description
45	56396197	1	POTENTIOMETER 100K
46	56409485	1	CABLE ASSY.1 X 15.00
47	56412089	1	FUSE 150 AMP
48	56413822	1	CIRCUIT BREAKER 20 AMP
49	56469858	1	INSULATED STANDOFF
50	56509623	1	CIRCUIT BREAKER-25 AMP
51	56601172	1	CONNECTOR ASM
52	56601183	1	CONTACTOR 24V 100 AMP
53	146 2888 000	1	SWITCH KEY WITH CAP
54	L08812063	1	CLAMP BATTERY PLUS
55	L08812064	1	CLAMP BATTERY MINUS
56	50962A	1	KNOB CONTROL ENCORE 2426
57	2-00-05171	1	BAT TERMINAL COVER RED
58	2-00-05173	1	BAT TERMINAL COVER BLK
59	56104282	1	CABLE-POWER RED
60	56104283	1	CABLE-POWER BLACK
61	56372673	1	BOOT BATTERY POST
62	56478246	1	CABLE TIE E00549 RE438BA
63	40172A	1	CABLESERIES5/16RING W/BOOTS
64	56104341	1	ELECTRICAL HARDWARE KIT
65	56104371	1	CONTROL BOARD KIT
66	56104372	1	INTERFACE PANEL KIT
67	56104052	1	PLATFORM-UPPER
68	56104185	1	PEDAL-SAFETY
69	56104186	1	FOOT PEDAL
70	56104187	1	PLATFORM-BOTTOM
71	56104277	1	COMPRESSION SPRING
72	56104406	1	SWITCH HARNESS
73	56158690	1	GROMMET .687 E00059
74	56331006	1	GROMMET E00059
75	56104417	1	PLATFORM ASSEMBLY KIT
76	56104051	1	RECOVERY TANK
77	56104158	1	BACK PANEL
78	56104164	1	GASKET-RECOVERY TANK KIT
79	56104258	1	VAC HOSE ASSY
80	56104285	1	DRAIN HOSE
81	56104306	1	HARNESS-JUMPER
82	56104320	1	SPLASH GUARD
83	56440213	1	CLAMP HOSE SAE 32E00047
84	909 6051 000	1	COVER.VACUUM MOTOR
85	909 6672 000	1	FILTER
86	56104352	1	DRAW LATCH KIT
87	56104359	1	KIT FLOAT CAGE

Only for US

RECOMMENDED SPARE PARTS

SC1500 20D, 20R Advance

21-08-2013

Part List ID
SC1500AV32

42

Pos	Part no.	Qty	Description
88	56104360	1	DEBRIS CAGE KIT
89	56104362	1	HOSE CLAMP KIT
90	56104363	1	VACUUM MOTOR KIT
91	56104364	1	RECOVERY HARDWARE KIT
92	56104383	1	VACUUM MOTOR INSULATION KIT
93	56104071	1	DISC BRUSH MOTOR
94	56104095	1	SHAFT DISC BRUSH MOTOR
95	56104117	1	DECK LIFT PLATE WELDMENT
96	56104120	1	LOWER DECK PLATE
97	56104121	1	BRUSH HOUSING
98	56104126	1	SQUEEGEE LINK WELDMENT
99	56104137	1	SPACER MOTOR
100	56104169	1	SOLENOID VALVE ASSY KIT
101	56104240	1	SKIRT BRUSH
102	56104241	1	DOUBLE SCRUB BRKT
103	56314983	1	TEE ASSEMBLY
104	56386183	1	HOSE BARB 90 DEG
105	56397209	1	HOSE PVC .500X4.0 E00199
106	56397217	1	HOSE PVC .500X1.50 E00199
107	56601733	1	BRUSH PLATE ASSY RT
108	56366455	1	PLATE CV24B
109	56109653	1	SPRING RETAINER
110	56112521	1	GIMBAL-COLLAR ASSEMBLY
111	56601056	1	SPRING BRUSH HOLDER
112	56601118	1	BRUSH PLATE
113	909 5483 000	1	CLAMP D.16
114	56104297	1	MOTOVARIO GEARBOX 15/1
115	56104298	1	MOTOR
116	56104300	1	BRUSH HOUSING ASSEMBLY
117	56601588	1	COVER AND SCREWS
118	56601508	1	PLASTIC COVER
119	56601534	1	CARBON BRUSH
120	56104344	1	SQUEEGEE PIVOT KIT
121	56104346	1	DISC DECK HARDWARE KIT
122	56104347	1	DISC DECK ASSY 20 KIT
123	56104138	1	REV LIFT PLATE WELDMENT
124	56104169	1	SOLENOID VALVE ASSY KIT
125	56104201	1	PLATE PIVOT
126	56104202	1	HOUSING REV
127	56104203	1	SQUEEGEE LINK WELDMENT
128	56104241	1	DOUBLE SCRUB BRKT
129	56104244	1	PLATE MOTOR
130	56114200	1	CONNECTOR ADAPTOR

RECOMMENDED SPARE PARTS

SC1500 20D, 20R Advance

21-08-2013

Part List ID
SC1500AV32

43

Pos	Part no.	Qty	Description
131	56390011	1	SHIELD SPLASH
132	56390038	1	GASKET DRIVER
133	56390044	1	PAD DRIVER ASSY
134	56381532	1	STUD STABILIZER SHORT
135	56390002	1	WEIGHT COUNTER
136	56390021	1	ECCENTRIC
137	56390027	1	DRIVER MOTOR
138	56390072	1	MOTOR 24VDC
139	56412287	1	MOTOR BRUSH/SPRING KIT
140	50736A	1	BEARINGBALL OBS-18 6008
141	61775A	1	RETAINER BEARING
142	56104366	1	REV DECK ASSY KIT
143	56104367	1	REV DECK HARDWARE KIT
144	56104368	1	REV SQUEEGEE PIVOT KIT
145	56104369	1	ISOLATOR KIT
146	56104370	1	REV SOLUTION HOSE KIT
147	56104050	1	SOLUTION TANK
148	56104165	1	FILTER BRACKET
149	56104194	1	SUPPORT BRKT
150	56104209	1	HINGE ASSEMBLY KIT
151	56104206	1	HINGE PIN
152	56104207	1	HINGE WELDMENT
153	56104208	1	HINGE BRACKET
154	56104249	1	BEARING FLANGE
155	56104229	1	GROMMET
156	51526A	1	HOSEBARB 3/8 X 90 DEG
			Replaces 56104230
157	56104234	1	ACTUATOR BRKT
158	56104308	1	PIVOT BLOCK
159	56104390	1	INSERT-BRASS M8
160	56104391	1	ADJUSTMENT PAD
161	56104409	1	PROP ROD
162	56393382	1	HOSE E00552
163	56477613	1	CABLE TIE E00549 RE409S
164	56601599	1	CAP-RAW WITH TETHER
165	909 6126 000	1	BUZZER 5-32V
166	56104189	1	INSERT-DRY BRAKE
167	56104408	1	CHEMICAL BOTTLE ASSY
168	56314942	1	HOSE CHEM RESISTANT
169	56314991	1	HOSE CHEM RESISTANT 14
170	56315241	1	PUMP CHEMICAL
171	56315270	1	CHARGER CORD
172	56315517	1	CAP
173	56315523	1	CAP DRY BREAK 1/8 BARB

RECOMMENDED SPARE PARTS

SC1500 20D, 20R Advance

21-08-2013

Part List ID
SC1500AV32

44

Pos	Part no.	Qty	Description	
174	909 5149 000	1	SUPPORT CABLE	
175	56104349	1	SOLUTION DRAIN KIT	
176	56104350	1	SOLUTION HOSE KIT	
177	56104351	1	SOLUTION FILTER KIT	
178	56104354	1	SOLUTION CAP KIT	
179	56104356	1	ACTUATOR KIT	
180	56104357	1	TIP PAD KIT	
181	56104358	1	SOLUTION HARDWARE KIT	
182	56112355	1	REFILLING HOSE KIT	
183	56104325	1	SQUEEGEE BLADE PU KIT	
184	56104326	1	SQUEEGEE BLADE RED GUM KIT	
185	56104327	1	SQUEEGEE HARDWARE KIT	
186	56104378	1	SQUEEGEE ASSY KIT	
187	56104382	1	SQUEEGEE KNOBS KIT	
188	56104385	1	SQUEEGEE WHEELS KIT	
189	56104386	1	SQUEEGEE STRAP KIT	
190	56104387	1	SQUEEGEE MOUNT BRKT KIT	
191	56104334	1	DECAL SC1500 KIT	
192	56104348	1	DECAL SC1500 REV KIT	
193	56104374	1	KIT SHELF CHARGER US	US only

BRUSH SELECTOR GUIDE

SC1500 20D, 20R Advance

21-08-2013

Part List ID
SC1500AV34

45

We provide brushes and pad holders that will give you the best possible performance between machine and floor. Following are descriptions of the materials and their applications.

- Soft Nylon:** Bristles are made from light-duty polypropylene for general scrubbing when you do not want to scratch or remove finish from the floor. Recommended for use in place of red pads.
- Poly:** Polypropylene material for medium-duty scrubbing on concrete, terrazzo and vinyl floor tile. Recommended for use in place of green or blue pads.
- Lite Grit:** For light scrubbing when used wet; buffing or polishing when used dry on urethane coated, sealed concrete or other resilient hard surface floors. Recommended for use in place of red or white pads.
- Medium Grit:** For general purpose scrubbing of sealed or unsealed concrete, stone, terrazzo, quarry tile and other resilient hard floor surfaces. Recommended for use in place of green or blue pads.
- Heavy Grit:** For aggressive, heavy-duty scrubbing or stripping of floors. Recommended for use in place of brown pads.

20" Disk Scrub Brushes

- 56505790 - Pad Holder
- 56505791 - Magnagrit
- 56505792 - Dyna Grit
- 56505793 - Aglite
- 56505794 - Prolene
- 56505795 - Prolite
- 56505796 - Union Mix
- 56505797 - Midgrit
- 56505798 - Midlite
- 976170 - Pads Cs 20 Black Thin (Qty 5)
- 976070 - Pads Cs 20 Brown 51 (Qty 5)
- 976069 - Pads Cs 20 Blue 51 (Qty 5)

DISC BRUSH APPLICATION GUIDE (SUGGESTION ONLY)

Application	Heavy Grit	Medium Grit	Lite Grit	Poly	Soft Nylon
Stripping:					
Concrete	X				
Terrazzo	X				
Ceramic/Quarry tile	X				
Vinyl tile	X				
General Scrubbing:					
Concrete	X	X	X	X	
Terrazzo		X	X	X	
Ceramic/Quarry tile		X	X	X	
Marble			X	X	X
Vinyl tile		X	X	X	
Raised-rubber tile			X	X	X

BRUSH SELECTOR GUIDE

SC1500 20D, 20R Advance

21-08-2013

Part List ID
SC1500AV34

46

Pos	Part no.	Qty	Description
	10001957	1	PAD 20 505MM ECO BROWN 5PCS
	56505790	1	PAD HOLDER-20 3 LUG
	56505791	1	DISC BRUSH-20 MAGNAGRIT 3 LUG
	56505792	1	DISC BRUSH-20 DYNA GRIT 3 LUG
	56505793	1	DISC BRUSH-20 AGLITE 3 LUG
	56505794	1	DISC BRUSH-20 PROLENE 3 LUG
	56505795	1	DISC BRUSH-20 PROLITE 3 LUG
	56505796	1	DISC BRUSH-20 UNION MIX 3 LUG
	56505797	1	DISC BRUSH-20 MIDGRIT 3 LUG
	56505798	1	DISC BRUSH-20 MIDLITE 3 LUG
	976069	1	PADS CS 20 BLUE 51 CS/5EA
	976170	1	PADS CS 20 BLACK THIN CS/5EA

PAD SELECTOR GUIDE

SC1500 20D, 20R Advance

21-08-2013

Part List ID
SC1500AV36

47

We provide pads that will give you the best possible performance between machine and floor. Following are descriptions of the materials and their applications.

- White: For very light scrubbing on high gloss floor finishes where a red pad may be too aggressive.
- Red: Most popular daily cleaning and scrubbing pad for use on a wide varieties of floors.
- Blue: For heavy duty scrubbing prior to recoating. Removes dirt, spills and scuffs, leaving a clean surface ready for recoating.
- Black: For conventional stripping with chemicals.
- 3M Hi Pro: For conventional stripping with chemicals. Unique open web construction allows stripping solution to flow through the pad to rinse out dirt and reduce loading for increased pad-to-floor contact and more efficient stripping.
- Maroon: Prepares wood, vinyl tile, sheet vinyl, marble, terrazzo and concrete floors for refinishing.

REV Deck Pads

- 56390045 - Velcro 2 Sided
56390046 - Pad Maroon Spp20 (Qty 5)
56390079 - Pad Micro Fiber
976068 - Pad 20-In Red 5100 (Qty 5)
976067 - Pads Cs 20 White 51 (Qty 5)

PAD SELECTOR GUIDE

SC1500 20D, 20R Advance

21-08-2013

Part List ID
SC1500AV36

48

Pos	Part no.	Qty	Description
	10001959	1	PAD 20 505MM ECO RED 5PCS
	56390045	1	VELCRO 2 SIDED 20
	56390046	1	PAD MAROON SPP20 CS/10EA
	56390079	1	PAD MICRO FIBER
	976067	1	PADS CS 20 WHITE 51 CS/5EA

SQUEEGEE BLADE SELECTOR GUIDE

SC1500 20D, 20R Advance

21-08-2013

Part List ID
SC1500AV38

49

Red Gum Rubber: Provides longest life on finished or unfinished concrete floors.

Polyurethane: Oil resistance provides superior life in applications with oily floors.

SQUEEGEE BLADE APPLICATION GUIDE(SUGGESTION ONLY)		
Performance Traits	Red Gum Rubber (Natural Rubber)	Polyurethane/ Pentathane
Resilience		X
Tear Strength		X
Abrasion Resistance	X	X
Wear Resistance	X	X
Low Temp Flexibility	X	
High Temp Flexibility		X
Ozone Resistance		
Chemical Resistance		X
Applications		
Oil Resistant Applications		X
General Purpose	X	X
Hot Water Applications	X	X
Chemical Applications		X
Color	Red	Translucent

SQUEEGEE BLADE SELECTOR GUIDE

SC1500 20D, 20R Advance

21-08-2013

Part List ID
SC1500AV38

50

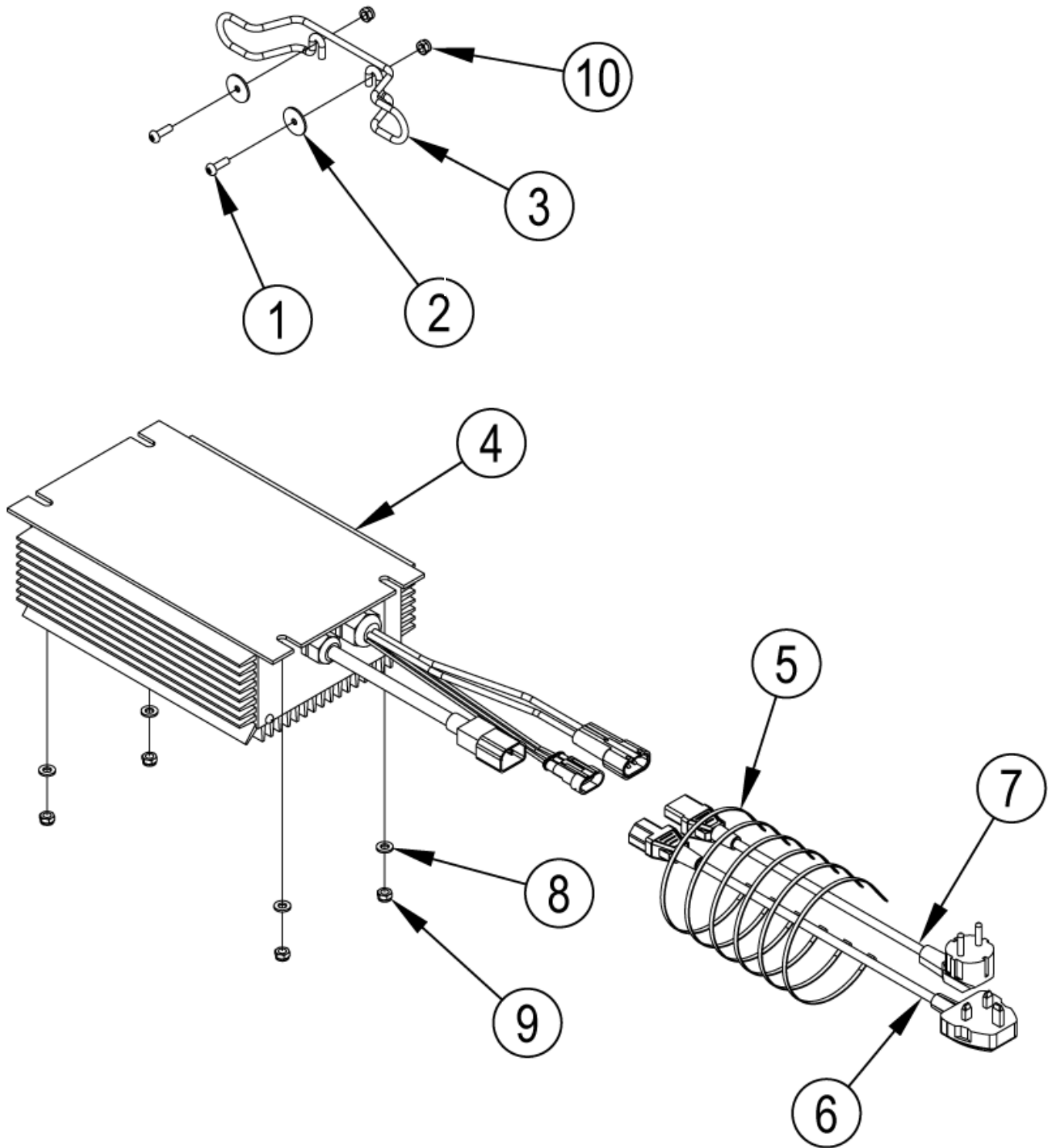
56104403 - ONBOARD CHARGER KIT-EU

SC1500 20D, 20R Advance

21-08-2013

Part List ID
IS56090145

51



56104403 - ONBOARD CHARGER KIT-EU

SC1500 20D, 20R Advance

21-08-2013

Part List ID
IS56090145

52

Pos	Part no.	Qty	Description
0	56104403	1	CHARGER BATTERY ON BOARD EU KIT
1	L08603744	2	SCREW M5X16 UNI7687 SS
2	33005880	2	WASHER 5X15 UNI6593 SS
3	909 5149 000	1	SUPPORT CABLE
4	56114378	1	BATTERY CHARGER 24V 25A
5	56478523	6	CABLE TIE E00549
6	9098676000	1	CABLE EXTENSION FOR CHARGER EU
7	909 5676 000	1	CABLE EXTENSION UK PLUG
8	L08603689	4	WASHER 6X18X1.5 UNI6593 SS
9	33005604	4	NUT SELF L. M6 UNI7474
10	33005603	2	NUT SELF L. M5 UNI7474