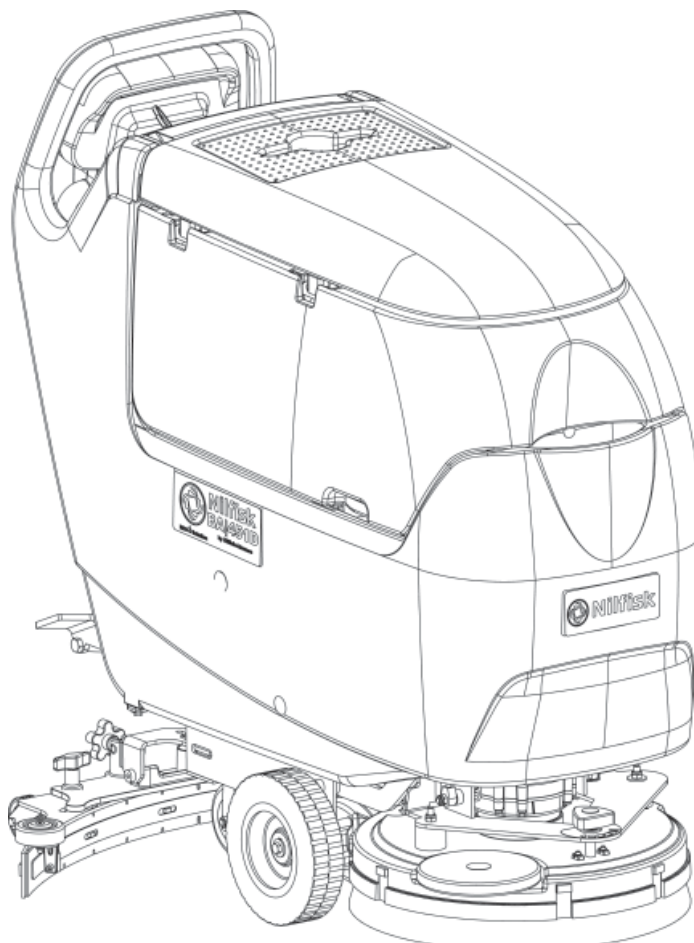
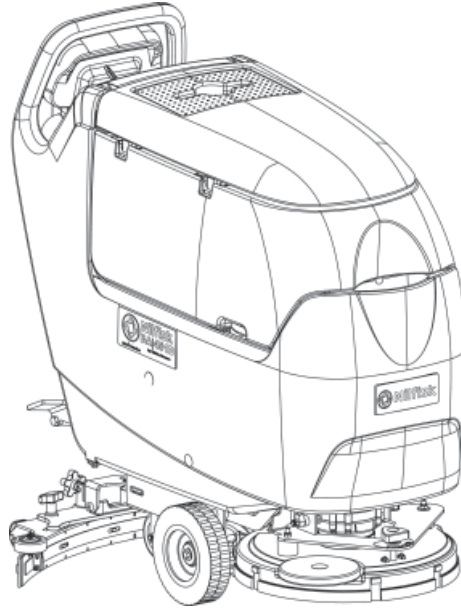


# BA 451 / BA 451D / BA 531 BA 531D



**CATALOGO RICAMBI  
PARTS LIST  
ERSATZTEILLISTE  
LISTE DE PIECES DETACHEES**





I

GB

D

F

Pagina - Page  
Seite - Page

VISTA GENERALE	GENERAL VIEW	GESAMTANSICHT	VUE GENERAL	2 - 3
SERBATOIO ACQUA PULITA	FRESH WATER TANK	FRISCHWASSERTANK	RESERVOIR SOLUTION	4 - 7
SERBATOIO ACQUA SPORCA	DIRTY WATER TANK	SCHMUTZWASSERTANK	RESERVOIR EAU SALE	8 - 9
GRUPPO TELAIO	CHASSIS SYSTEM	CHASSIS SYSTEM	CHASSIS SYSTEM	10 - 11
GRUPPO RUOTE E TRAZIONE	WHEELS AND TRACTION	RAEDER UND ANTRIEB	ROUES ET TRACTION	12 - 13
GRUPPO MANIGLIONE	HANDLE ASSEMBLY	FUEHRUNGSBUEGEL	POIGNEE DE CONDUIT	14 - 15
GRUPPO ELETTRIVALVOLA	SOLUTION SYSTEM	WASSERZUFUEHRUNG	CIRCUIT DE SOLUTION	16 - 17
GRUPPO TERGITORE	SQUEEGEE SYSTEM	SAUGDUESENSYSTEM	SYSTEME D'EMBOUCHURE	18 - 21
GRUPPO SPAZZOLA BA451	BRUSH SYSTEM BA451	BUERSTEN SYSTEM BA451	SYSTEME DE BROSSE BA451	22 - 25
GRUPPO SPAZZOLA BA451D	BRUSH SYSTEM BA451D	BUERSTEN SYSTEM BA451D	SYSTEME DE BROSSE BA451D	26 - 29
GRUPPO SPAZZOLA BA531	BRUSH SYSTEM BA531	BUERSTEN SYSTEM BA531	SYST. DE BROSSE BA531	30 - 33
GRUPPO SPAZZOLA BA531D	BRUSH SYSTEM BA531D	BUERSTEN SYSTEM BA531D	SYSTEME DE BROSSE BA531D	34 - 37
ACCESSORI	ACCESSORIES	ZUBEHOERE	ACCESSOIRES	38 - 39
PANNELLO DI CONTROLLO	CONTROL PANEL SYSTEM	ARMATUREN BRETT	TABEUAU DE BORD	40 - 43
SISTEMA ELETTRICO	WIRING SYSTEM	ELEKTRISCHE SYSTEM	SYSTEM ELECTRIQUE	44 - 47
ACCESSORI	ACCESSORIES	ZUBEHOERE	ACCESSOIRES	48 - 53
SCHEMA ELETTRICO	WIRING DIAGRAM	SCHALTPLAN	DIAGRAMME ELECTRIQUE	54 - 55
RICAMBI CONSIGLIATI	RECOMMENDED SPARE PARTS	EMPFOLHENE ERSATZTEILE	PIECES DETACHEE RECOMMANDEES	56 - 58

#### WHEN ORDERING PARTS

- \* Use the 8, 9 or 10 digit numbers from the "Ref. No." columns in this parts list.
- \* Specify the model and serial number of the machine.
- \* Use the space below to record the model and serial number for future reference.

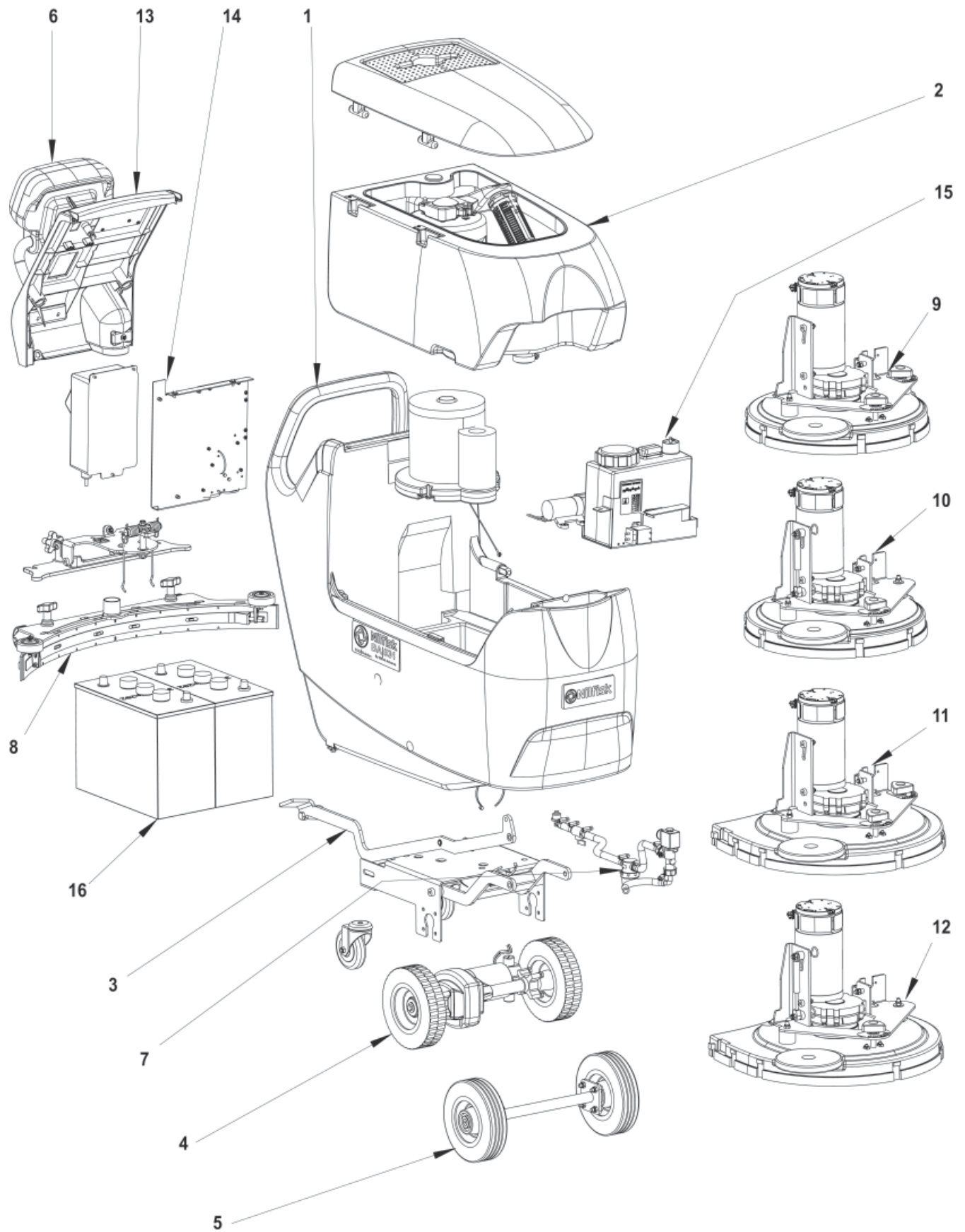
Model \_\_\_\_\_ Serial No. \_\_\_\_\_

**\* = Optional**

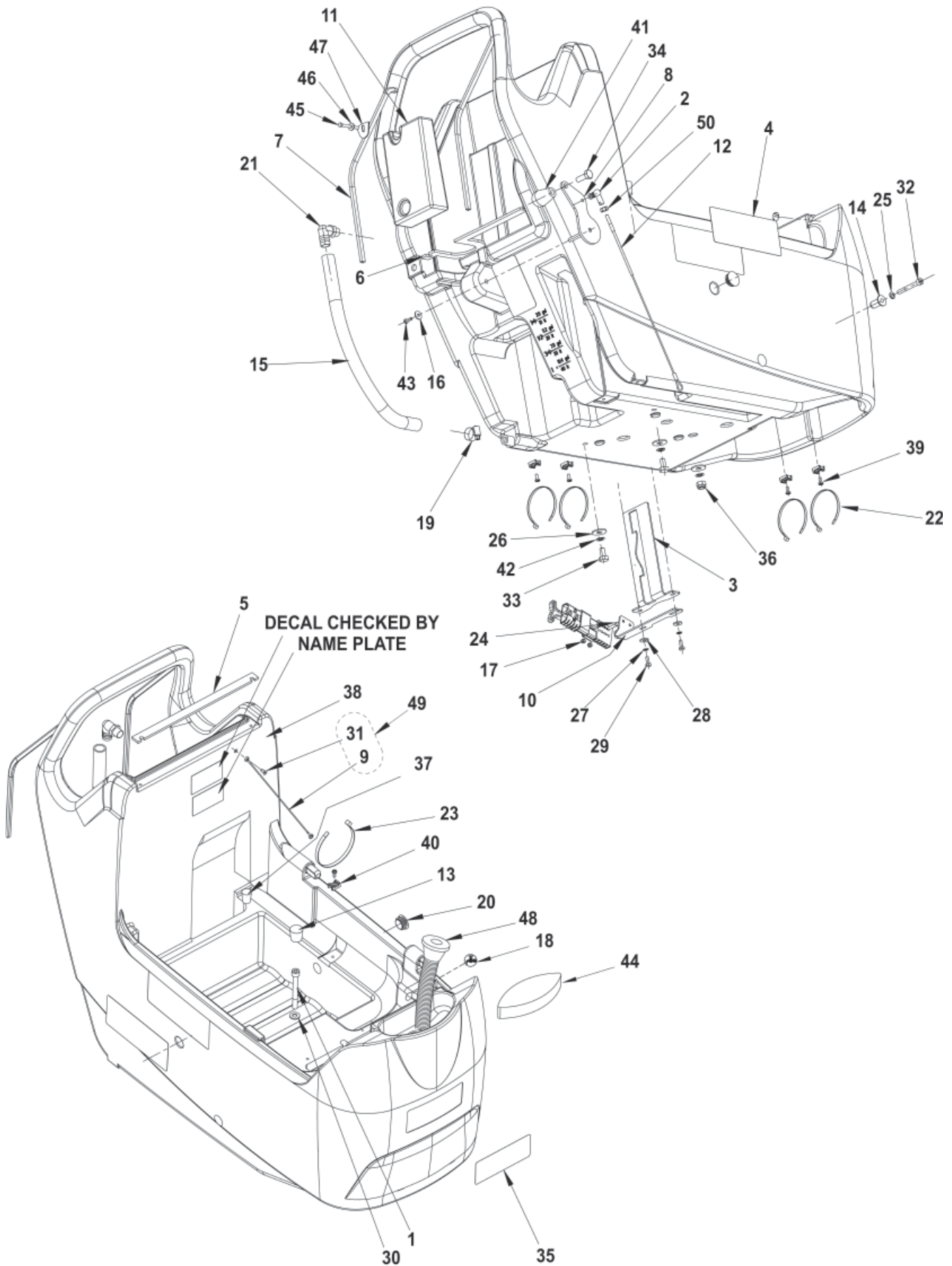
**# = Modified item No. or New item No.**

**0 = Not shown**

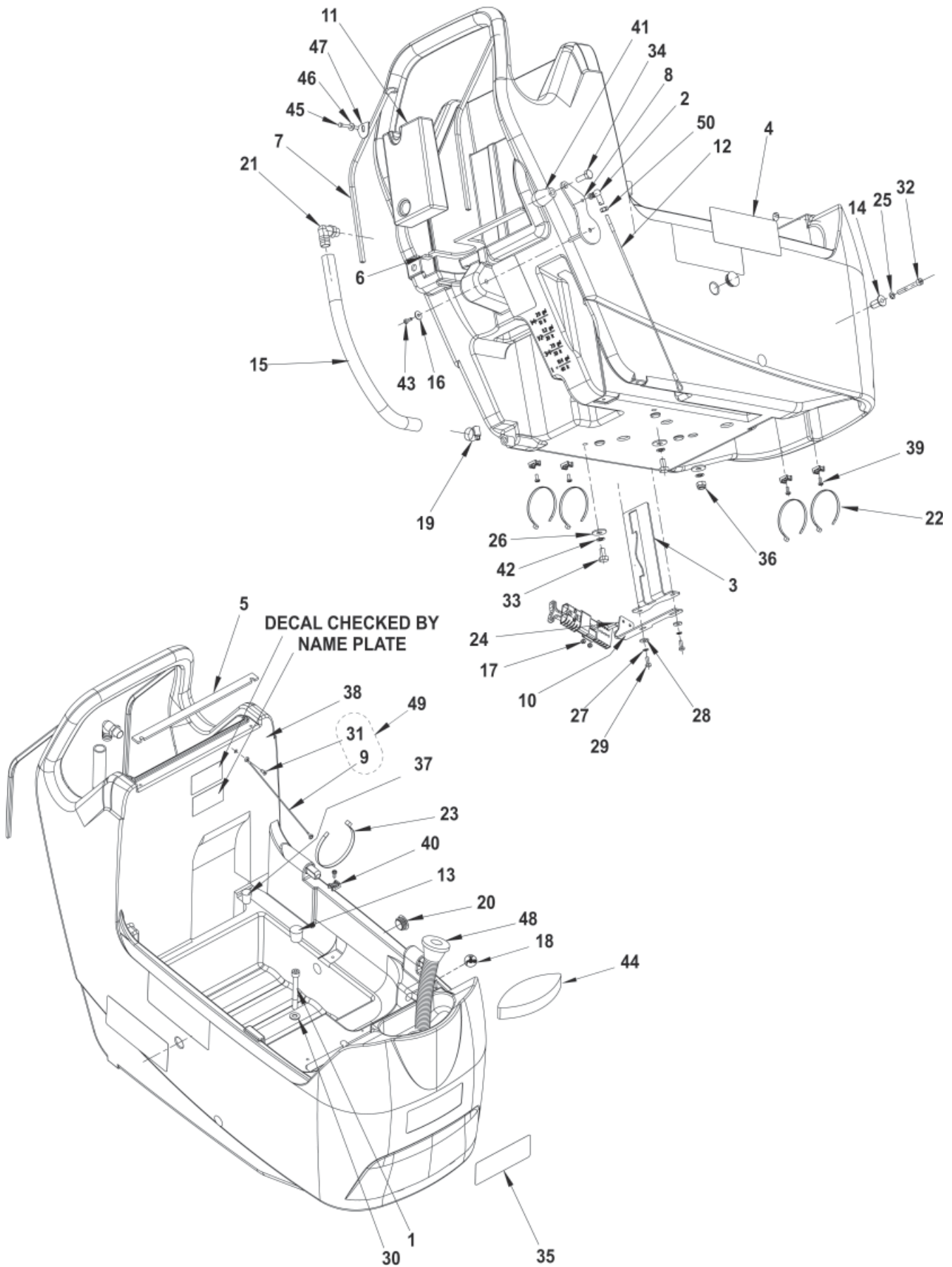
**xxxxxx = Contained in a Kit**



Pos Item Bild Rép	Codice Ref. No. Art. Nr. Réf. No	Q.tà Qty Menge Qté	Descrizione	Description	Beschreibung	Désignation
1		1	SERBATOIO ACQUA PULITA	FRESH WATER TANK	FRISCHWASSERTANK	RESERVOIR SOLUTION
2		1	SERBATOIO ACQUA SPORCA	DIRTY WATER TANK	SCHMUTZWASSERTANK	RESERVOIR EAU SALE
3		1	GRUPPO TELAIO	CHASSIS SYSTEM	CHASSIS SYSTEM	CHASSIS SYSTEM
4		1	GRUPPO RUOTE PER BA451D - BA531D	WHELLS AND TRACTION BA451D - BA531D	RAEDER UND ANTRIEB BA451D - BA531D	ROUES ET TRACTION BA451D - BA531D
5		1	GRUPPO RUOTE PER BA451 - BA531	WHELLS SYSTEM BA451 - BA531	RAEDER BA451 - BA531	ROUES BA451 - BA531
6		1	GRUPPO MANIGLIONE	HANDLE ASSEMBLY	FUEHRUNGSBUEGEL	POIGNEE DE CONDUIT
7		1	GRUPPO ELETTROVALVOLA	SOLUTION SYSTEM	WASSERZUFUEHRUNG	CIRCUIT DE SOLUTION
8		1	GRUPPO TERGITORE	SQUEEGEE SYSTEM	SAUGDUESENSYST.	SYST. D'EMBOUCHURE
9		1	GRUPPO SPAZZOLA PER BA451	BRUSH SYSTEM BA451	BUERSTEN SYSTEM BA451	SYSTEME DE BROSSE BA451
10		1	GRUPPO SPAZZOLA PER BA451D	BRUSH SYSTEM BA451D	BUERSTEN SYSTEM BA451D	SYSTEME DE BROSSE BA451D
11		1	GRUPPO SPAZZOLA PER BA531	BRUSH SYSTEM BA531	BUERSTEN SYSTEM BA531	SYSTEME DE BROSSE BA531
12		1	GRUPPO SPAZZOLA PER BA531D	BRUSH SYSTEM BA531D	BUERSTEN SYSTEM BA531D	SYSTEME DE BROSSE BA531D
13		1	PANNELLO DI CONTROLLO	CONTROL PANEL SYSTEM	SCHALTPLAN	TABLEAU DE BORD
14		1	COMPONENTI ELETTRICI	ELECTRICAL COMPONENTS	ELEKTRISCHE SYSTEM	SYSTEM ELECTRIQUE
15		1	EDS - ECO DOSAGE SYSTEM	EDS - ECO DOSAGE SYSTEM	EDS - ECO DOSAGE SYSTEM	EDS - ECO DOSAGE SYSTEM
16		1	GRUPPO BATTERIA	BATTERY ASSEMBLY	BATTERIE SYSTEM	BATTERIE SYSTEM



Pos Item Bild Rép	Codice Ref. No. Art. Nr. Réf. No	Q.tà Qty Menge Qté	Descrizione	Description	Beschreibung	Désignation
1	xxx xxxx xxx	1	VITE TCEI M10X90	SCREW M10X90	SCHRAUBE	VIS M10X90
2	145 8479 000	1	TESTA SNODATA M6	DOWEL M6	GELENKKOPF	ROTULE
3	909 6550 000	1	STAFFA GUIDA PEDALE	PEDAL SUPPORT	STANGE	SUPPORT
4	909 6587 000	2	ADESIVO NILFISK BA 451	DECAL NILFISK BA 451	AUFKLEEBER NILFISK BA 451	ADHESIF NILFISK BA 451
4	909 6582 000	2	ADESIVO NILFISK BA 451 D	DECAL NILFISK BA 451 D	AUFKLEEBER NILFISK BA 451 D	ADHESIF NILFISK BA 451 D
4	909 6585 000	2	ADESIVO NILFISK BA 531	DECAL NILFISK BA 531	AUFKLEEBER NILFISK BA 531	ADHESIF NILFISK BA 531
4	909 6581 000	2	ADESIVO NILFISK BA 531 D	DECAL NILFISK BA 531 D	AUFKLEEBER NILFISK BA 531 D	ADHESIF NILFISK BA 531 D
6	909 6597 000	1	GUARNIZIONE INFERIORE COPERCHIO ELETTRICO	GASKET	DICHTUNG	JOINT
7	909 6892 000	2	GUARNIZIONE LATERALE COPERCHIO	GASKET	DICHTUNG	JOINT
8	909 6633 000	1	LEVA SOLLEVAMENTO TERGITORE	SQUEEGE LIFTING LEVER	SAUGD.AUFHEBUNG	SOULEVEMENT DU SUC.
9	xxx xxxx xxx	1	CAVO FERMA SERBATOIO	CABLE TANK BLOCK	KABEL	CABLE
10	909 6649 000	1	STAFFA SUPPORTO CONNETTORE	BRACKET CONNECTOR SUPPORT	HALTER	SUPPORT
11	909 6841 000	1	CONTRAPPESO	WEIGHT	GEWICHT	CONTREPOIDS
12	909 6662 000	1	CAVO SOLLEVAMENTO TERGITORE	SQUEEGEE LIFTING CABLE	KABEL	CABLE
13	909 6673 000	1	TAPPO NERO IN NEOPRENE	CAP	PFROPFEN	BOUCHON
14	xxx xxxx xxx	1	BOCCOLA	BUSHING	BUECHSE	BAGUE
15	909 6681 000	1	TUBO ACQUA PULITA	FRESH WATER HOSE	FRISCHWASSERSCHLAUCH	TUYAU EAU PROPRE
16	xxxxxxxx	1	RONDELLA PIANA 6X18	WASHER FLAT 6X18	BEILAGSCHEIBE	RONDELLE
17	xxxxxxxx	2	DADO E. AUTOBLOCCANTE M5	NUT HEX SELF LOCK M5	MUTTER	ECROU
18	08603795	1	ADESIVO REGOLAZIONE ACQUA	DECAL WATER FAUCET	AUFKLEEBER	ADHESIF
19	08603916	1	FASCETTA	CLAMP	SHELLE	BRIDE
20	08812457	2	TAPPO PER SERBATOIO	TANK LOCKING CAP	TANK PFROPFEN	BOUCHON
21	56264442	1	RACCORDO	FITTING PIPE	SCHLAUCHVERBINDUNG	RACCORD
22	145 0524 000	4	FASCETTA	PASSRING	PASSRING	COLLIER
23	145 0541 000	2	FASCETTA	CLAMP	PASSRING	COLLIER
24	33003964	2	VITE TE M5X25	SCREW HEX HD M5X25	SCHRAUBE	VIS
25	xxxxxxxx	1	RONDELLA E. SPACCATA 8	WASHER SPLIT 8	BEILAGSCHEIBE	RONDELLE
26	xxxxxxxx	3	RONDELLA PIANA 10X30 INOX	WASHER FLAT 10X30 SS	BEILAGSCHEIBE	RONDELLE
27	xxxxxxxx	2	RONDELLA E. SPACCATA 6	WASHER SPLIT 6	BEILAGSCHEIBE	RONDELLE
28	xxxxxxxx	2	RONDELLA PIANA 6X18	WASHER FLAT 6X18	BEILAGSCHEIBE	RONDELLE
29	xxxxxxxx	2	VITE TE M6X16	SCREW HEX. HD M6X16	SCHRAUBE	VIS
30	xxxxxxxx	1	RONDELLA PIANA 10X21	WASHER FLAT	BEILAGSCHEIBE	RONDELLE
31	xxxxxxxx	1	VITE TSPTC M5X12	SCREW HEX HD 5X12	SCHRAUBE	VIS
32	xxxxxxxx	1	VITE TCEI M8X60	SCREW M8X60	SCHRAUBE	VIS
33	xxx xxxx xxx	2	VITE TE M10X20 INOX	SCREW HEX HD M10X20 SS	SCHRAUBE	VIS
34	33004010	1	VITE TE M10X30	SCREW HEX HD M10X30	SCHRAUBE	VIS

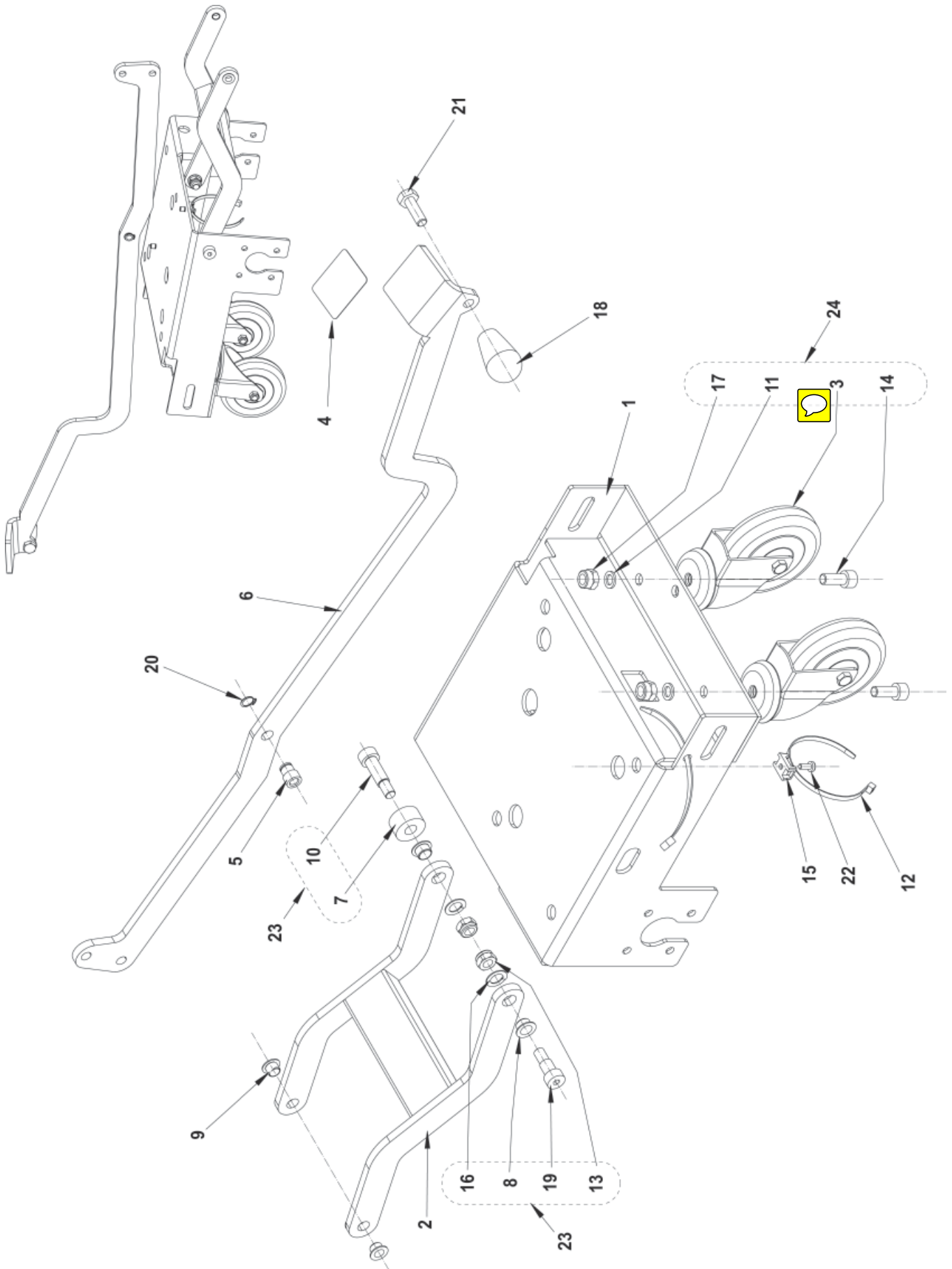




Pos Item Bild Rép	Codice Ref. No. Art. Nr. Réf. No	Q.tà Qty Menge Qté	Descrizione	Description	Beschreibung	Désignation
35	146 2605 000	1	ADESIVO LOGO NILFISK RETT	RECTANGULAR NILFISK DECAL	KLEBSTREIFEN	ADHESIF
36	xxx xxxx xxx	1	DADO E. ALTO AUTOBLOC- CANTE M10	NUT HEX HIGH SELF LOCK M10	MUTTER	ECROU
37	909 6236 000	1	TAPPO NERO	BLACK CAP	PFROPFEN	BOUCHON
38	909 6320 000	1	SERBATOIO SOLUZIONE 35L	SOLUTION TANK 35L	FRISCHWASSERTANK	RESERBOIR SOLUTION
39	909 6337 000	5	VITE TCTC M5X12	SCREW CYL HD M5X12	SCHRAUBE	VIS
40	909 6595 000	5	BASETTA PORTA FASCETTA	FLAT TIE HOLDER	HALTER, SCHELLE	SUPPORT POUR COLLIER
41	909 6621 000	1	POMELLO LEVA	KNOB	KUEGELGRIFF	BOULE
42	xxxxxxxxx	3	RONDELLA E.SPACCATA 10	WASHER	BEILAGSCHEIBE	RONDELLE
43	xxx xxxx xxx	1	VITE TCTC M5X16	SCREW CYL HD M5X16	SCHRAUBE	VIS
44	909 6650 000	1	SPUGNA INGRESSO ACQUA PULITA	SPONGE IN-LET FRESH WTER TANK	SCHAUM WASSEREINGANG	EPONGE
45	08812886	1	VITE TE M5X50	SCREW HEX. HD M5X50	SCHRAUBE	VIS
46	146 1261 000	1	RONDELLA	WASHER	BEILAGSCHEIBE	RONDELLE
47	909 6638 000	1	PIASTRINA DI FISSAGGIO	PLATE	PLATTE	PLAQUE
48*	909 5327 000	1	TUBO RIEMPIMENTO	FILLING HOSE	FUELLUNGSSCHLAUCH	TUYAU DE REMPLISSAGE
49	909 6874 000	1	KIT CAVO SERBATOIO (9-31)	TANK CABLE KIT (23,39)	KABEL SATZ (23,39)	KIT CABLE (23,39)
50	33005502	1	DADO E. M6	NUT HEX M6	MUTTER	ECROU
0	909 6875 000	1	KIT VITERIA SERBATOIO AC- QUA PULITA (1,14,16,17,25, 26,27,28,29,30,32,33,36,42, 43)	SOLUTION TANK HARDWA- RE KIT (1,14,16,17,25,26,27, 28,29,30,32,33,36,42,43)	ZUSATZ SCHRAUBEN FRISCHWASSERTANK (1,14,16,17,25,26,27,28,29,30, 32,33,36,42,43)	KIT VIS RESERVOIR SOLUTION (1,14,16,17,25,26, 27,28,29,30,32,33,36,42,43)



Pos Item Bild Rép	Codice Ref. No. Art. Nr. Réf. No	Q.tà Qty Menge Qté	Descrizione	Description	Beschreibung	Désignation
1	909 6230 000	1	TUBO ASPIRAZIONE	VACUUM HOSE	SAUGSCHLAUCH	TUYAU
2	 909 6528 000	1	TUBO SCARICO ACQUA SPORCA	DRAIN HOSE	ABWASSERSCHLAUCH	TUYAU DE VIDAGE
3	909 6643 000	2	PIASTRINA FISSAGGIO	PLATE TANK COVER	FIXIERUNGSPLATTE	PLAQUE DE FIXATION
4	909 6679 000	1	BOCCOLA	BUSHING	BUECHSE	BAGUE
5	08239900	1	FASCETTA CABL. SEDILE	CLAMP	PASSRING	COLLIER
6	909 6899 000	1	TAPPO D.4	PLUG D.4	PFROPFEN	BOUCHON
7	08603688	2	VITE TCTC 3,5X11 INOX	SCREW CYL HD THD FORM 3,5X11 SS	SCHRAUBE	VIS
8	xxxxxxx	6	RONDELLA PIANA 6X18 INOX	WASHER FLAT 6X18 SS	BEILAGSCHEIBE	RONDELLE
9	08812259	2	CONTENITORE GALLEG- GIANTE	CAGE, FLOAT COMPLETE	SCHWIMMER KPL	SYSTEM DE FLOTTEUR CPL
10	08812373	1	GALLEGGIANTE	FLOATING BALL	BALL	FLOTTEUR
11	08812926	1	PORTA GALLEGGIANTE	SUPPORT, FLAT CAGE	SCHWIMMER HALTER	SUPPORT FLOTTEUR
12	08812968	1	GUARNIZIONE ADESIVA NERA	GASKET	DICHTUNG	JOINT
13	xxx xxxx xxx	2	VITE TE M6X40 INOX	SCREW HEX HD M6X40 SS	SCHRAUBE	VIS
14	145 0543 000	2	FASCETTA	CLAMP	SHELLE	COLLIER
15	xxx xxxx xxx	2	DADO CIECO M6 INOX	BLIND NUT M6 SS	MUTTER M6	ECROU M6
16	33005124	1	VITE TSPTC M5X12	SCREW HEX HD 5X12	SCHRAUBE	VIS
17	xxx xxxx xxx	2	DADO E. M 6 INOX	NUT HEX M6 SS	MUTTER	ECROU
18	909 6321 000	1	SERBATOIO RECUPERO 35L	RECOVERY TANK 35L	SCHMUTZWSSERTANK	RESERBOIR
19	909 6322 000	1	COPERCHIO SERBATOIO 35L	TANK COVER 35L	DECKEL	COUVERCLE
20	909 6337 000	1	VITE TCTC M5X12	SCREW CYL HD M5X12	SCHRAUBE	VIS
21	909 6901 000	1	GUARNIZ. COPERCHIO SERBATOIO	COVER TANK GASKET	JOINT	DICHTUNG
22	909 6918 000	1	GUARNIZIONE MOTORE ASPIRAZIONE	GASKET SUCTION MOTOR	DICHTUNG	JOINT
23	909 6490 000	1	GUARNIZIONE MOTORE ASPIRAZIONE	GASKET SUCTION MOTOR	DICHTUNG	JOINT
24	909 6491 000	1	PANNELLO FONOAASSOR- BENTE	ACOUSTIC INSULATION PANEL	SCHALLDAMPFEND. PANEL	PANNEAU ISOLANT ANTI- BRUIT
25	xxx xxxx xxx	3	PIASTRINA FISSAGGIO	PLATE VACUUM COVER	FIXIERUNGSPLATTE	PLAQUE DE FIXATION
26	909 6672 000	1	FILTRO VENTOLA MOTORE ASP.	FILTER	FILTER	FILTRE
27	909 6802 000	1	MOTORE ASPIRAZIONE 24V 330W COMPLETO	VACUUM MOTOR 24V 330W CLP	SAUGMOTOR 24V 330W	MOTEUR ASPIRATION 24V 330W
28	xxxxxxx	1	VITE TE M6X30	SCREW HEX HD M6X30	SCHRAUBE	VIS
29	xxxxxxx	3	RONDELLA PIANA 6X18	WASHER FLAT 6X18	BEILAGSCHEIBE	RONDELLE
30	909 6051 000	1	COPERCHIO MOTORE ASPIRAZIONE	VACUUM MOTOR COVER	SAUGMOTOR DECKUNG	COUVERCLE MOTEUR ASPIRATION
31	909 6442 000	1	TUBO FONOAASSORBENTE	ACOUSTIC INSULATION PIPE	SCHALLDAMPFENDSCH- LAUCH	TUYAU ANTIBRUIT
32*	909 6734 000	1	KIT ELASTICO PORTA OGGETTI (33,34)	RUBBER BAND KIT (33,34)	ZUSATZ GUMMISCHNUR (33,34)	KIT ELASTIQUE (33,34)
33*	xxx xxxx xxx	1	ELASTICO PORTAOGGETTI	RUBBER BAND	GUMMISCHNUR	ELASTIQUE
34*	xxxxxxx	4	VITE TCTC 4X14 AUTOFI- LETTANTE	SCREW CYL. HD 4X14 THD	SCHRAUBE	VIS
35	909 6640 000	1	TUBO ANTISPLASH SQUEE- GEE	HOSE	SCHLAUCH	TUYAU
36	909 5371 000	2	CARBONCINO MOTORE ASPIRAZIONE	CARBON BRUSH	KOHLN BUEERSTE	CHARBONS
37	909 6876 000	1	KIT VITERIA SERBATOIO ACQUA SPORCA (8,13,15,17)	DIRTY WATER TANK HARDWARE KIT (8,13,15,17)	ZUSATZ SCHRAUBEN SCHMUTZWSSERTANK (8,13,15,17)	KIT VIS RESERVOIR EAU SALE (8,13,15,17)
38	909 6877 000	1	KIT VITERIA MOTORE ASPIRAZIONE (25,28,29)	VACUUM MOTOR HARDWARE KIT (25,28,29)	ZUSATZ SCHRAUBEN SAUGMOTOR (25,28,29)	KIT VIS MOTEUR ASPIRATION (25,28,29)

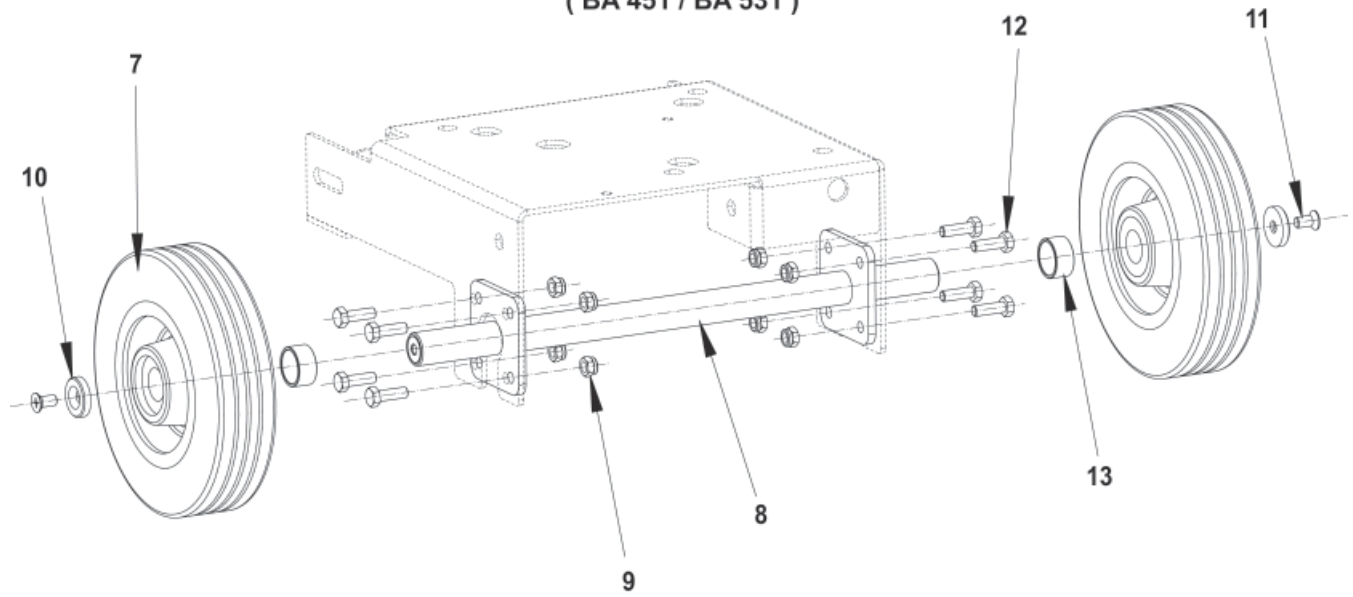


Pos Item Bild Rép	Codice Ref. No. Art. Nr. Réf. No	Q.tà Qty Menge Qté	Descrizione	Description	Beschreibung	Désignation
1	909 6482 000	1	TELAIO	CHASSIS	CHASSIS	CHASSIS
2	909 6486 000	1	LEVA SOLLEVAMENTO TESTATA SPAZZ.	BRUSH LIFTING LEVER	HEBEL BUERSTEAUFHE- BUNG	LEVIER
3A	xxx xxxx xxx	2	RUOTA PIVOETTANTE INOX	WHEEL REVOLVING SS	DREHRAD	ROUE PIVOTANTE
3B	xxx xxxx xxx	2	RUOTA PIVOETTANTE	WHEEL REVOLVING	DREHRAD	ROUE PIVOTANTE
4	909 6539 000	1	ANTISCIVOLO PEDALE	ANTISKID MAT	PROTECTION PEDAL	PEDAL MANTEL
5	909 6540 000	1	BOCCOLA CON FLANGIA	BUSHING FLANGED	BUECHSE	BAGUE
6	909 6549 000	1	PEDALE SOLLEVAMENTO SPAZZOLA	PEDAL BRUSH LIFTING	PEDAL BUERSTENAUFHEB.	PEDAL
7	xxx xxxx xxx	1	DISTANZIALE D 12,2X30X16,5	SPACER D 12,2X30X16,5	ABSTANDSTUECK	ENTRETOISE
8	xxx xxxx xxx	2	BOCCOLA CON FLANGIA	BUSHING FLANGED	BUECHSE	BAGUE
9	909 6594 000	2	BOCCOLA CON FLANGIA	BUSHING FLANGED	BUECHSE	BAGUE
10	xxx xxxx xxx	1	VITE DI SPALLAMENTO M12X30	SHOULDER BOLT M12X30	SCHRAUBE	VIS
11	08603258	2	RONDELLA PIANA 11X16	WASHER FLAT 11X16	BEILAGSCHEIBE	RONDELLE
12	145 0524 000	2	FASCETTA	PASSRING	PASSRING	COLLIER
13	xxxxxxxx	2	DADO E. BASSO AUTO- BLOCCANTE M10	NUT	MUTTER	ECROU
14	xxxxxxxx	2	VITE TCEI M10X25	SCREW CYL HD M10X25	SCHRAUBE	VIS
15	909 6595 000	1	BASETTA PORTA FASCETTA	FLAT TIE HOLDER	HALTER, SCHELLE	SUPPORT POUR COLLIER
16	xxxxxxxx	2	RONDELLA E. SPACCATA 12	WASHER	BEILAGSCHEIBE	RONDELLE
17	xxx xxxx xxx	2	DADO E. AUTOBL. M10	NUT	MUTTER	ECROU
18A	909 6621 000	1	POMELLO LEVA	KNOB	KUEGELGRIFF	BOULE
19	xxx xxxx xxx	1	VITE DI SPALLAMENTO M12X16	SHOULDER BOLT M12X16	SCHRAUBE	VIS
20	33006051	1	ANELLO DI SICUREZZA	RETAINING RING	SICHERUNGSRING	CIRCLIPS
21A	33004010	1	VITE TE M10X30	SCREW HEX HD M10X30	SCHRAUBE	VIS
22	909 6337 000	1	VITE TCTC M5X12	SCREW CYL HD M5X12	SCHRAUBE	VIS
23	909 6878 000	1	KIT VITERIA GRUPPO TELAIO (7,8,10,13,16,19)	CHASSIS SYSTEM HARDWARE KIT (7,8,10,13,16,19)	ZUSATZ SCHRAUBEN CHASSIS SYSTEM (7,8,10,13,16,19)	KIT VIS CHASSIS SYSTEM (7,8,10,13,16,19)
24A	909 6897 000	1	KIT RUOTA PIVOETTANTE INOX (3,11,14,17)	WHEEL REVOLVING SS KIT (3,11,14,17)	DREHRAD SATZ (3,11,14,17)	KIT ROUE PIVOTANTE (3,11,14,17)
24B	909 6898 000	1	KIT RUOTA PIVOETTANTE (3,11,14,17)	WHEEL REVOLVING KIT (3,11,14,17)	DREHRAD SATZ (3,11,14,17)	KIT ROUE PIVOTANTE (3,11,14,17)

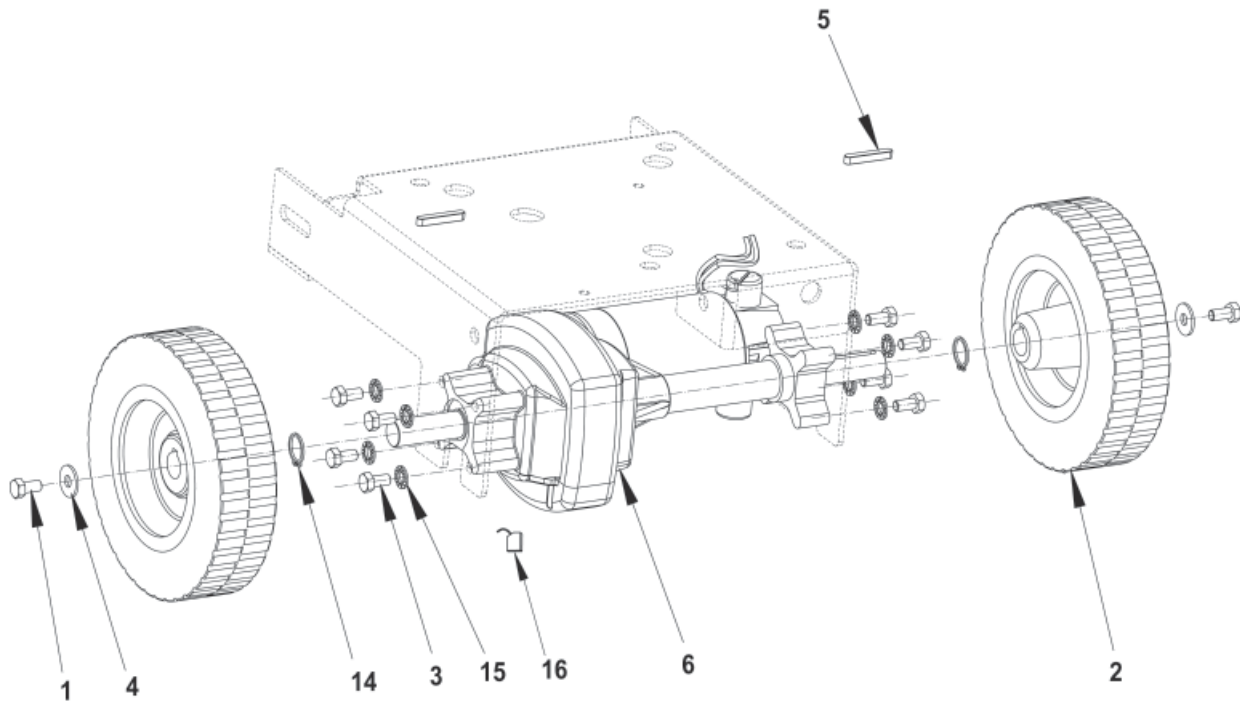
A : ONLY FOR BA 451 D / BA 531 D

B : ONLY FOR BA 451 / BA 531

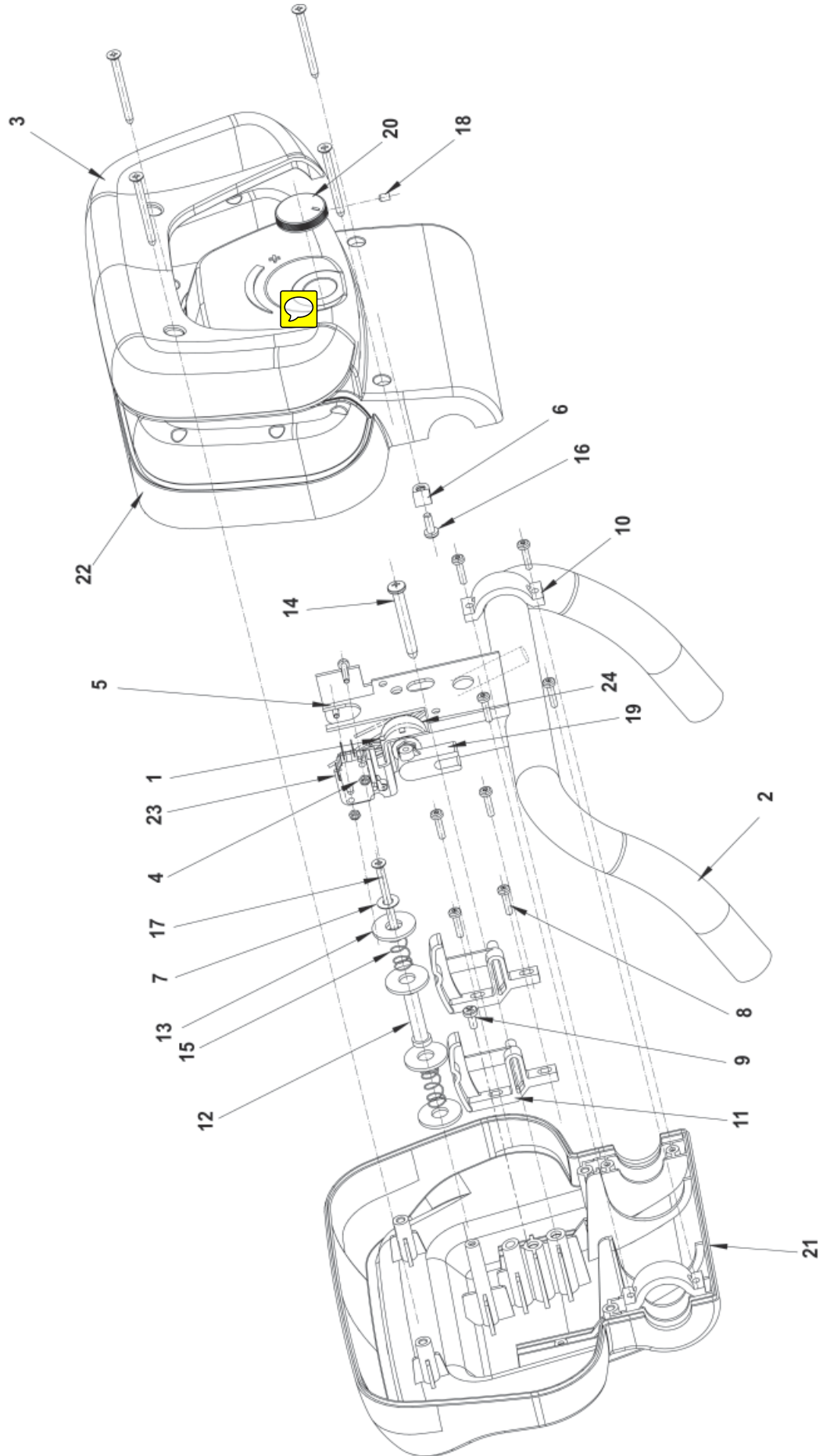
SENZA TRAZIONE / WITHOUT TRACTION  
( BA 451 / BA 531 )




CON TRAZIONE / WITH TRACTION  
( BA 451 D / BA 531 D )

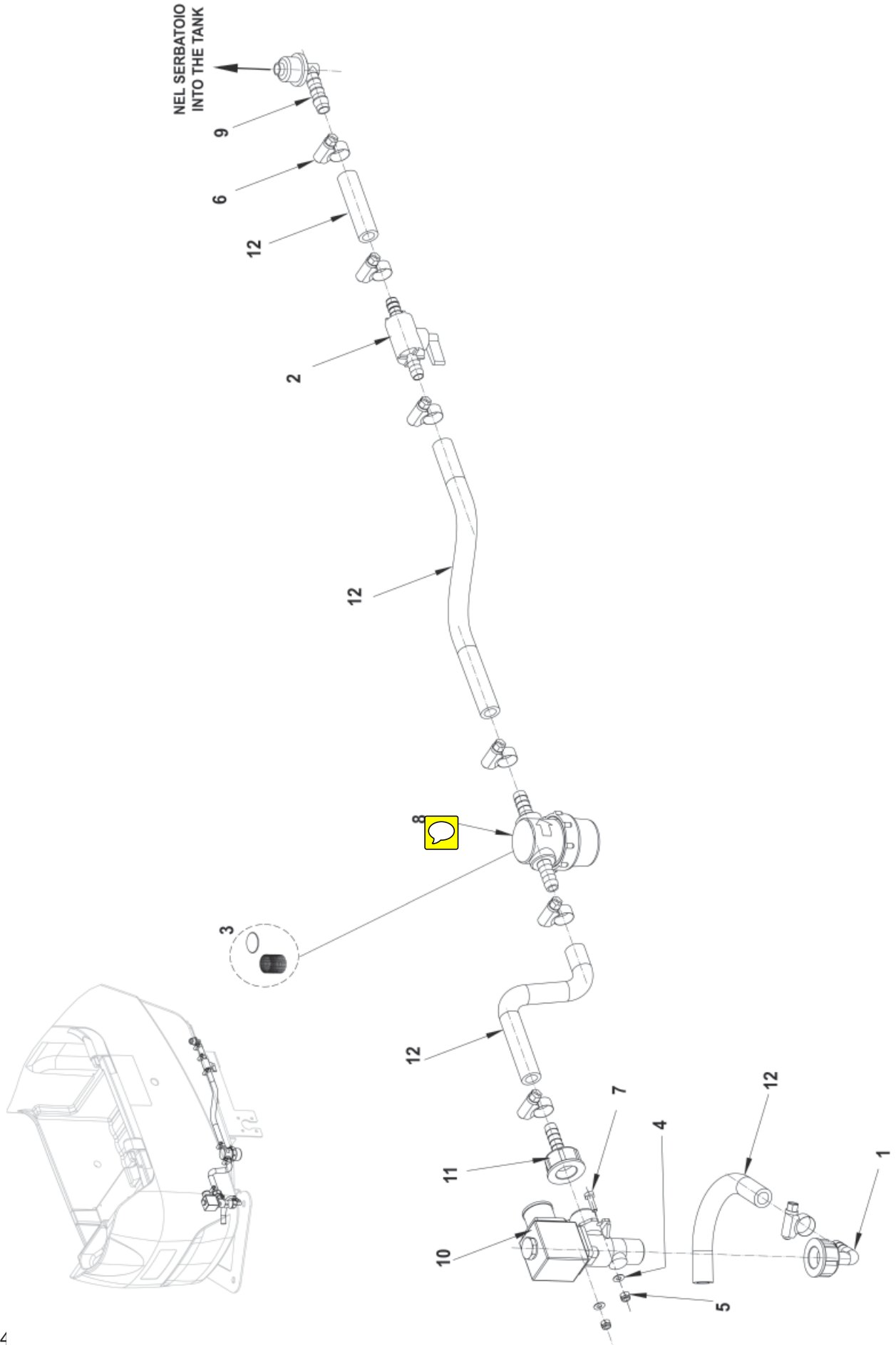


Pos Item Bild Rép	Codice Ref. No. Art. Nr. Réf. No	Q.tà Qty Menge Qté	Descrizione	Description	Beschreibung	Désignation
1	08274300	2	VITE TE M8X16	SCREW HEX HD M8X16	SCHRAUBE	VIS
2	909 5078 000	2	RUOTA TRAZIONE	DRIVE WHEEL W/HUB	ANTRIEBSRAD KPL	ROUE CPL
3	33003993	8	VITE TE 8X16	SCREW HEX HD M8X16	SCHRAUBE	VIS
4	08300000	2	RONDELLA PIANA 8X24	WASHER FLAT 8X24	BEILAGSCHEIBE	RONDELLE
5	146 0769 000	2	CHIAVETTA	KEY	KEILNUT	CLAVETTE
6	909 6548 000	1	MOTODIFFERENZIALE 24V 200W	MOTODIFFERENTIAL	MOTODIFFERENTIAL	MOTODIFFERENTIAL
7	909 6507 000	2	RUOTA	WHEEL	RAD	ROUE
8	909 6508 000	1	ALBERO RUOTE	WHEELS SHAFT	WELLE	ARBRE
9	33005607	8	DADO E. AUTOBLOCCANTE M8	NUT SELFLOCKING M8	MUTTER	ECROU
10	08812392	2	DISTANZIALE	SPACER	ABSTANDSTUECK	ENTRETOISE
11	33004590	2	VITE TSPEI M8X16	SCREW	SCHRAUBE	VIS
12	33005445	8	VITE TE M8X25	SCREW HEX HD M8X25	SCHRAUBE	VIS
13	909 6509 000	2	DISTANZIALE 25X30X12,6	SPACER	ABSTANDSTUECK	ENTRETOISE
14	33006059	2	SEEGER	SEEGER	SEEGER	SEEGER
15	145 9126 000	8	RONDELLA DENTELLATA M8	WASHER M8	BEILAGSCHEIBE	RONDELLE
16	145 5124 000	2	CARBONCINO MOTODIFFE- RENZIALE	CARBON BRUSH	KOHLN BUERSTE	CHARBONS

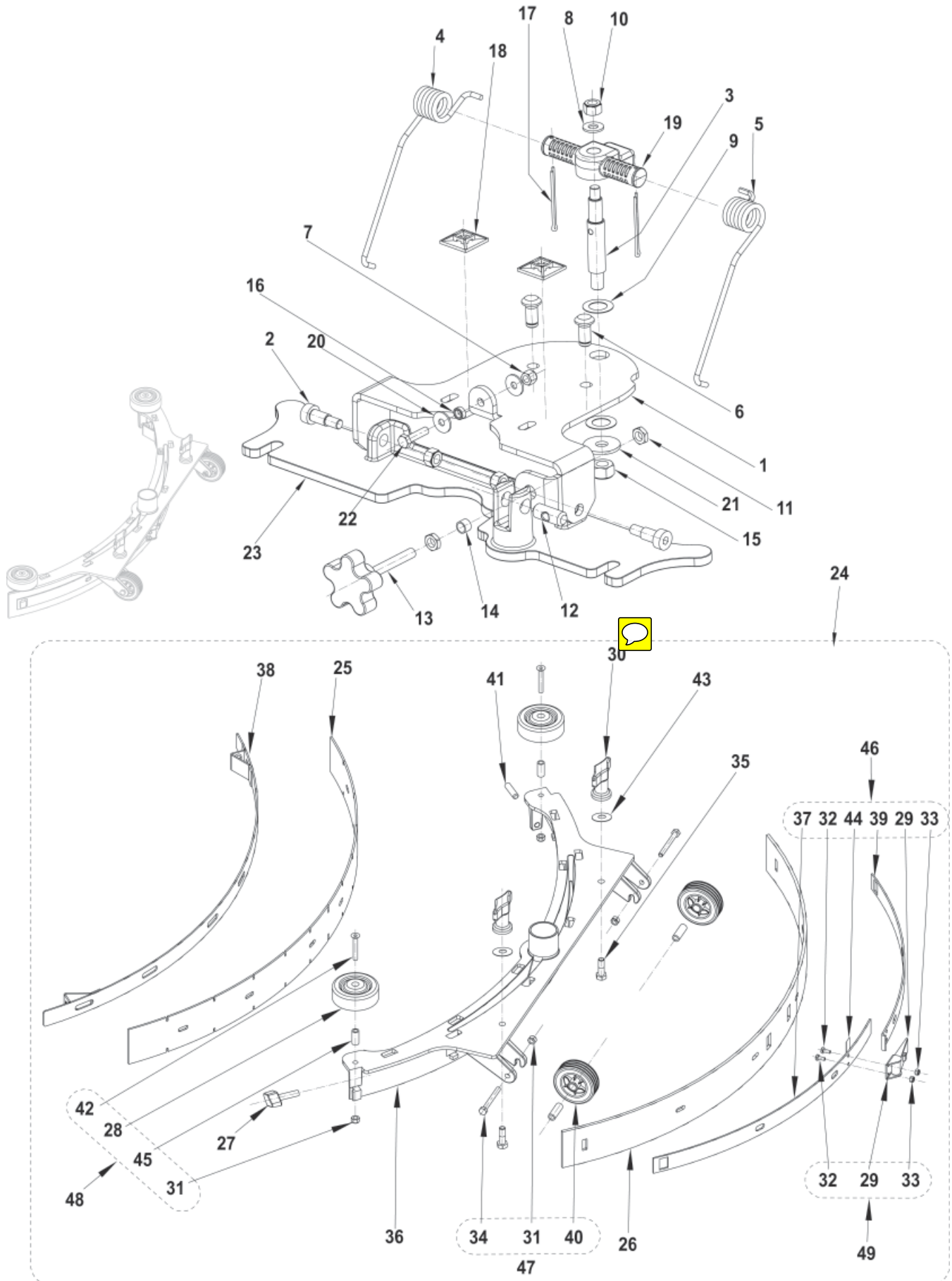




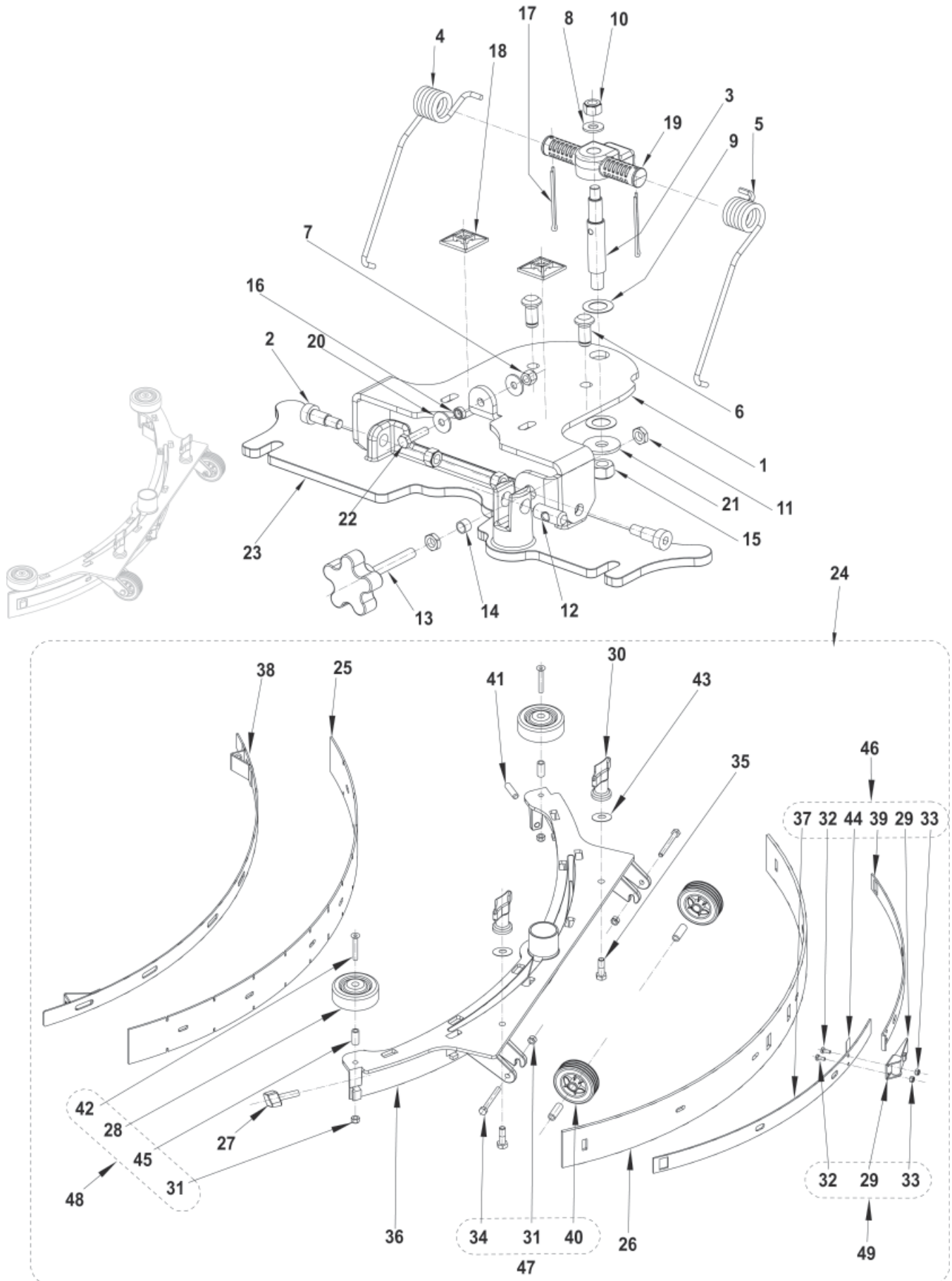
Pos Item Bild Rép	Codice Ref. No. Art. Nr. Réf. No	Q.tà Qty Menge Qté	Descrizione	Description	Beschreibung	Désignation
1	909 6578 000	1	CABLAGGIO MANIGLIONE	HANDLE HARNESS	KABEL FUEHRUNGSBUE- GEL	CABLAGE MANCHE DE CONDUITE
2	909 6653 000	1	MANIGLIONE COMANDO	HANDLE BAR	FUEHRUNGSBUEGEL	MANCHE DE CONDUITE
3	909 6239 000	1	COPERTURA IN GOMMA COPERCHIO	RUBBER COVER	ABDECKUNG	TOLE
4	33005499	2	DADO	NUT HEX M3	MUTTER	ECROU
5	08093600	2	VITE TCCI M3X16	SCREW CYL HD 3X16	SCHRAUBE	VIS
6	08239900	1	FASCETTA CABL.	CLAMP	PASSRING	COLLIER
7	xxxxxxx	1	RONDELLA PIANA 6X12,5	WASHER FLAT 6X12,5	BEILAGSCHEIBE	RONDELLE
8	08603192	8	VITE TCTC 3,6X16 AUTOFIL.	SCREW CYL HD THD FORM 3,6X16	SCHRAUBE	VIS
9	08604077	1	VITE TCTC M4X10	SCREW CYL HD M4X10	SCHRAUBE	VIS
10	08812279	2	COLLARE PER MANIGLIONE	CLAMP	SHELLE	BRIDE
11	08812282	2	CAMMA PER MICROINTER- RUTTORE	MICRO SWITCH CAM	SCHALTELEMENT	ELEMENT D'INTERRUPTEUR
12	xxxxxxx	1	DISTANZIALE	SPACER	ABSTANDSTUECK	ENTRETOISE
13	xxxxxxx	4	RONDELLA PIANA 9X25 NYLON	WASHER FLAT NYLON 9X25	BEILAGSCHEIBE	RONDELLE
14	08812341	1	VITE TBTC 6X50 AUTOF.	SCREW 6X50 THD FORM	SCHRAUBE	VIS
15	xxxxxxx	2	MOLLA COMANDO TRA- ZIONE	DRIVE CONTROL SPRING	DRUCKFEDER	RESSORT À TENSION
16	08812346	1	VITE 4,2X14 AUTOFILET- TANTE	SCREW 4,2X12 THD FOR- MING	SCHRAUBE	VIS
17	xxxxxxx	5	VITE TSPTC 4,2X50 AUTOF.	SCREW 4,2X50 THD FORM	SCHRAUBE	VIS
18	146 0621 000	1	GRANO	DOWEL	STIFT	GOUPILLE
19	909 6038 000	1	BIELLA POTENZIOMENTRO	ROD, POTENTIOMENTER	PLEUELSTANGE	BIELLE
20	909 6471 000	1	POMELLO POTENZIOME- TRO	POTENTIOMETRE KNOB	POTENTIOMETER DREHK- NOPF	POTENTIOMETRE BOULE
21	909 6237 000	1	COPERCHIO PLANCIA INF.	SWITCH HOUSING REAR	SCHALTERGEHAUSE HINTEN	BOITE INTERRUP. ARRIERE
22	909 6238 000	1	COPERCHIO PLANCIA SUP.	SWITCH HOUSING FRONT	SCHALTERGEHAUSE VORNE	BOITE INTERRUP. AVANT
23	909 6677 000	1	MICROINTERRUTTORE	MICROSWITCH	MIKROSCHALTER	MICROINTERRUPTEUR
24	08812292	1	POTENZIOMETRO	POTENTIOMETER	POTENTIOMETER	POTENTIOMETRE
0	 909 6544 000	1	CABLAGGIO POTENZIO- METRO	POTENTIOMETER HARNESS	KABELVERBINDUNG	CABLAGE MACHINE
25	909 6881 000	1	KIT VITERIA GRUPPO MANIGLIONE (7,12,13,15,17)	HANDLE ASSEMBLY HARDWARE KIT (7,12,13,15,17)	ZUSATZ SCHRAUBEN FUEHRUNGSBUEGEL (7,12,13,15,17)	KIT VIS POIGNEE DE CONDUIT (7,12,13,15,17)



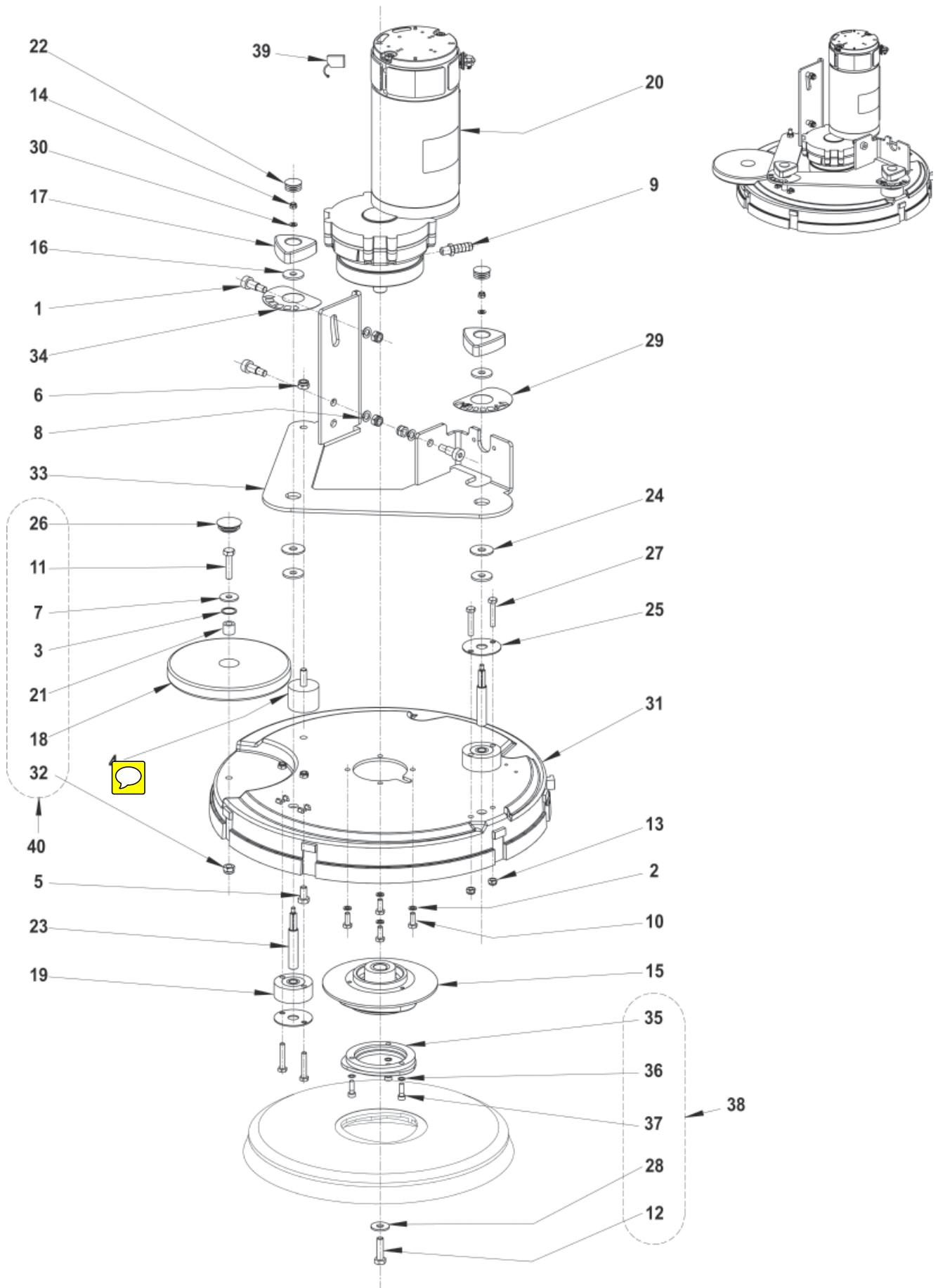
Pos Item Bild Rép	Codice Ref. No. Art. Nr. Réf. No	Q.tà Qty Menge Qté	Descrizione	Description	Beschreibung	Désignation
1	909 6637 000	1	PORTAGOMMA	RUBBER HOLDER	GUMMIHALTER	SUPPORT
2	909 6674 000	1	RUBINETTO 3/8 F	VALVE 3/8 PVC F	SHAHN	ROBINET
3	08603893	1	KIT RETE FILTRO CON- GUARNIZIONE	KIT NET FILTER WITH GASKET	ZUSATZ FILTER MIT DICHT.	KIT FILTRE AVEC JOINT
4	08200800	2	RONDELLA PIANA 4X9 INOX	WASHER FLAT 4X9 SS	BEILAGSCHEIBE	RONDELLE
5	08603685	2	DADO E. AUTOBLOCCANTE M4 INOX	NUT HEX SELF LOCK M4 SS	MUTTER ROSTFREIER STAHL	ECROU ACIER INOXYDABLE
6	145 8582 000	7	FASCETTA	CLAMP	SHELLE	COLLIER
7	146 0497 000	2	VITE TE M 4X 14 INOX	SCREW HEX HD M4X14 SS	SCHRAUBE	VIS
8	909 5151 000	1	KIT FILTRO COMPLETO	FILTER KIT CPL	FILTER SATZ KPL	KIT FILTRE CPL
9	909 5895 000	1	RACCORDO A 90° Ø10	ELBOW 90° Ø10	ELBOGEN	RACCORD
10	909 6555 000	1	ELETTROVALVOLA 24V c.c.	SOLENOID VALVE 24V	ELEKTROVENTIL	ELECTROVANNE
11	909 6636 000	1	PORTAGOMMA DIRITTO F 1/2	HOLDER RUBBER 1/2 FEMALE	GUMMIHALTER	RACCORD
12	909 6896 000	1	KIT TUBI	HOSES KIT	ZUSATZ SCHLAUCH	KIT TUYAU



Pos Item Bild Rép	Codice Ref. No. Art. Nr. Réf. No	Q.tà Qty Menge Qté	Descrizione	Description	Beschreibung	Désignation
1	909 6494 000	1	STAFFA TERGITORE	SQUEEGEE BRACKET	BÜGEL	ETRIER
2	xxx xxxx xxx	2	VITE DI SPALLAMENTO M10X16	SHOULDER BOLT M10X16	SCHRAUBE	VIS
3	909 6497 000	1	PERNO PER SUPPORTO TERGITORE	PIN	STIFT	AXE
4	909 6537 000	1	MOLLA DESTRA PREMI TERGI	RIGHT SPRING	FEDER	RESSORT DROITE
5	909 6538 000	1	MOLLA SINISTRA PREMI TERGI	LEFT SPRING	FEDER	RESSORT GAUCHE
6	909 6543 000	2	PERNO FERMA TERGITORE	PIN	STIFT	AXE
7	xxxxxxxxx	1	DADO E. ALTO AUTOBLOC- CANTE M6 INOX	NUT HEX M6 SELFLOCK SS	ECROU	MUTTER
8	33005915	1	RONDELLA PIANA 8X17	WASHER FLAT 8X17	BEILAGSCHEIBE	RONDELLE
9	08238300	2	RONDELLA PIANA 15X25	WASHER	BEILAGSCHEIBE	RONDELLE
10	33005607	3	DADO E. AUTOBLOCCANTE M8	NUT SELFLOCKING M8	MUTTER	ECROU
11	xxxxxxxxx	2	DADO E. BASSO M8	NUT HEX LOW M8	MUTTER	ECROU
12	xxxxxxxxx	1	PERNO SUPPORTO	SUPPORT PIN	STIFT	AXE
13	xxxxxxxxx	1	VOLANTINO M8X55	HANDWHEEL M8X55	HANDRAD	MOLETTE
14	xxxxxxxxx	1	DISTANZIALE Ø8XØ10X7	SPACER Ø8XØ10X7	ABSTANDSTUECK	ENTRETOISE
15	33005608	1	DADO E. BASSO AUTO- BLOCCANTE M10	NUT	MUTTER	ECROU
16	xxx xxxx xxx	1	DISTANZIALE 6,5X10X4,5	SPACER 6.5X10X4.5	ABSTANDSTUECK	ENTRETOISE
17	33005758	2	COPIGLIA	SPLIT PIN	SPLINT	GOUPILLE
18	909 6635 000	2	BASETTA ADESIVA	SELF-ADHESIVE TIE MOUNT	ZWEISET. GRUNDPLAT. KLEBE.	ATTACHES ADHESIVES POUR CABLE
19	909 6052 000	1	SUPPORTO MOLLA	SPRING SUPPORT	SUPPORT	HALTER
20	xxxxxxxxx	1	RONDELLA PIANA 6X18 INOX	WASHER FLAT 6X18 SS	BEILAGSCHEIBE	RONDELLE
21	08604251	1	RONDELLA PIANA 10X30	WASHER FLAT 10X30	BEILAGSCHEIBE	RONDELLE
22	xxx xxxx xxx	1	VITE TE M6X25 INOX	SCREW HEX HD M6X25 SS	SCHRAUBE	VIS
23	909 6045 000	1	SUPPORTO TERGITORE	SQUEEGEE SUPPORT	HALTER	SUPPORT
24	909 6851 000	1	KIT TERGITORE	KIT SQUEEGEE	SAUGDUESEN SATZ	KIT EMBOUCHURE
25	909 6483 000	1	GOMMA TERGITORE ANTE- RIORE	BLADE FRONT	SAUGLIPPE VORNE	CAOTCHOUC EMBOUCHU- RE ARRIERE
26	909 6484 000	1	GOMMA TERGITORE PO- STERIORE	BLADE REAR	SAUGLIPPE HINTEN	CAOTCHOUC EMBOUCHU- RE AVANT
27	909 6551 000	1	GALLETTO M8X30 INOX	WING NUT M8X30 SS	MUTTER	ECROU A PAPILLON
28	xxxxxxxxx	2	RUOTA PARACOLPI	ROLLER BUMPER	ABWEISROLLE	DEFLECTEUR
29	xxxxxxxxx	1	GANCIO PER TERGITORE	LATCH FOR SQUEEGEE	VERRIEGELUNG	VERROUILLAGE
30	08603675	2	VOLANTINO DI FISSAGGIO TERGITORE	THUMB NUT SQUEEGEE FIXING	FLUEGELMUTTER	ECROU A PAPILLON
31	xxxxxxxxx	4	DADO E. AUTOBLOCCANTE M6 INOX	NUT HEX. SELFLOCK. M6 SS	MUTTER	ECROU
32	xxxxxxxxx	2	VITE TCTC M4X10 INOX	SCREW M4X10 SS	SCHRAUBE	VIS
33	xxxxxxxxx	2	DADO E. AUTOBLOCCANTE M4 INOX	NUT HEX SELF LOCK M4 SS	MUTTER ROSTFREIER STAHL	ECROU ACIER INOXYDABLE
34	xxx xxxx xxx	2	VITE TE M6X55 INOX	SCREW HEX HD M6X55 SS	SCHRAUBE	VIS
35	909 5953 000	2	VITE TE	SCREW	SCRAUBE	VIS

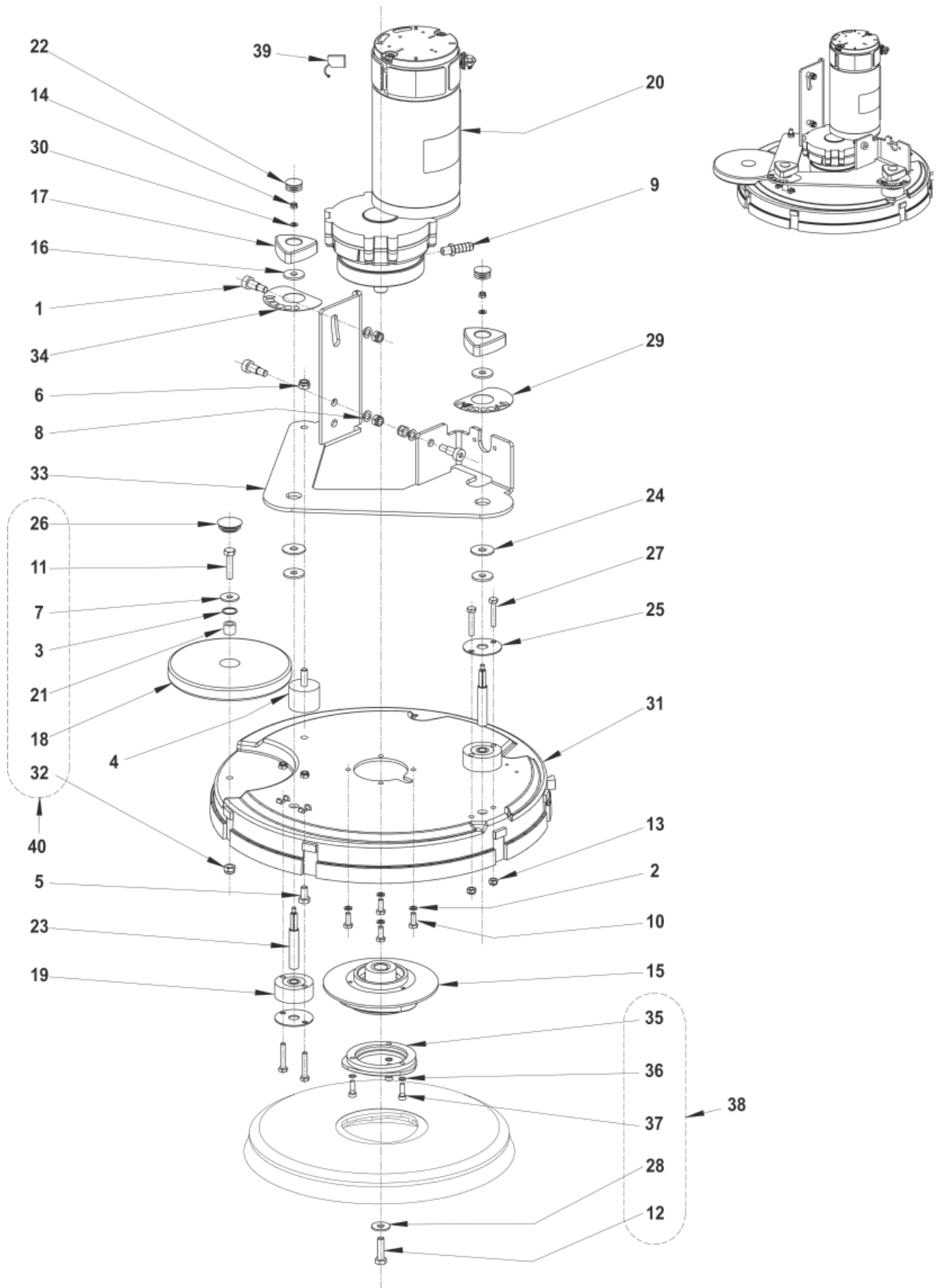


Pos Item Bild Rép	Codice Ref. No. Art. Nr. Réf. No	Q.tà Qty Menge Qté	Descrizione	Description	Beschreibung	Désignation
36	909 6044 000	1	TERGITORE	SQUEEGEE	SAUGDUESEN	EMBOUCHURE
37	xxx xxxx xxx	1	BANDELLA FLAP POST. SX TERGIT.	STRAP, SQUEEGEE LEFT REAR	LEISTE HINTEN LINKS	LONGERON ARRIERE GAUCHE
38	909 6055 000	1	BANDELLA FLAP ANTER. TERGIT.	STRAP, SQUEEGEE FRONT	LEISTE VORNE	LONGERON AVANT
39	xxx xxxx xxx	1	BANDELLA FLAP POST. DX TERGIT.	STRAP,SQUEEGEE RIGHT REAR	LEISTE HINTEN RECHTS	LONGERON ARRIERE DROITE
40	xxx xxxx xxx	2	RUOTA TERGITORE d.60	SQUEEGEE WHEEL D.60	SAUGDUESENRAD	ROUE EMBOUCHURE
41	909 6600 000	1	GRANO M 8x30 E.COPPA INOX	DOWEL M8X30 SS	STIFT	GOUPILLE
42	xxx xxxx xxx	2	VITE TSPEI M 6X 40 INOX	SCREW M6X40 SS	SCHRAUBE	VIS
43	909 6682 000	2	RONDELLA IN GOMMA	RUBBER WASHER	BEILAGSCHEIBE	RONDELLE
44	xxx xxxx xxx	1	DISTANZIALE IN GOMMA ADESIVA	RUBBER SPACER	ABSTANDSTUECK	ENTRETOISE
45	xxxxxxxx	2	DISTANZIALE Ø6,3XØ9,5X21	SPACER Ø6,3XØ9,5X21	ABSTANDSTUECK	ENTRETOISE
46	909 6882 000	1	KIT FISSAGGIO GOM- MA TERGITORE (29,32,33,37,39,44)	FIXING SQUEEGEE KIT (29,32,33,37,39,44)	LEISTE HINTEN SATZ (29,32,33,37,39,44)	KIT LONGERON ARRIERE (29,32,33,37,39,44)
47	909 6883 000	1	KIT RUOTA TERGITORE (31,34,40)	KIT SQUEEGEE WHEEL (31,34,40)	SAUGDUESENRAD SATZ (31,34,40)	KIT ROUE EMBOUCHURE (31,34,40)
48	909 6884 000	1	KIT RUOTA PARACOLPI TERGITORE (28,34,42,45)	KIT SQUEEGEE BUMPER ROLLER (28,34,42,45)	ABWEISROLLER SATZ (28,34,42,45)	KIT DEFLECTEUR (28,34,42,45)
49	909 6394 000	1	KIT GANCIO PER TERGITO- RE (29,32,33)	KIT LATCH FOR SQUEEGEE (29,32,33)	VERRIEGELUNG SATZ (29,32,33)	KIT VERROUILLAGE (29,32,33)
0	909 6885 000	1	KIT VITERIA SUPPORTO TERGITORE (2,7,11,12,13,14 ,16,20,22)	SQUEEGEE SUPPORT HARDWARE KIT (2,7,11,12,13 ,14,16,20,22)	ZUSATZ SCHRAUBEN HALTER (2,7,11,12,13,14,1 6,20,22)	KIT VIS SUPPORT (2,7,11,12, 13,14,16,20,22)

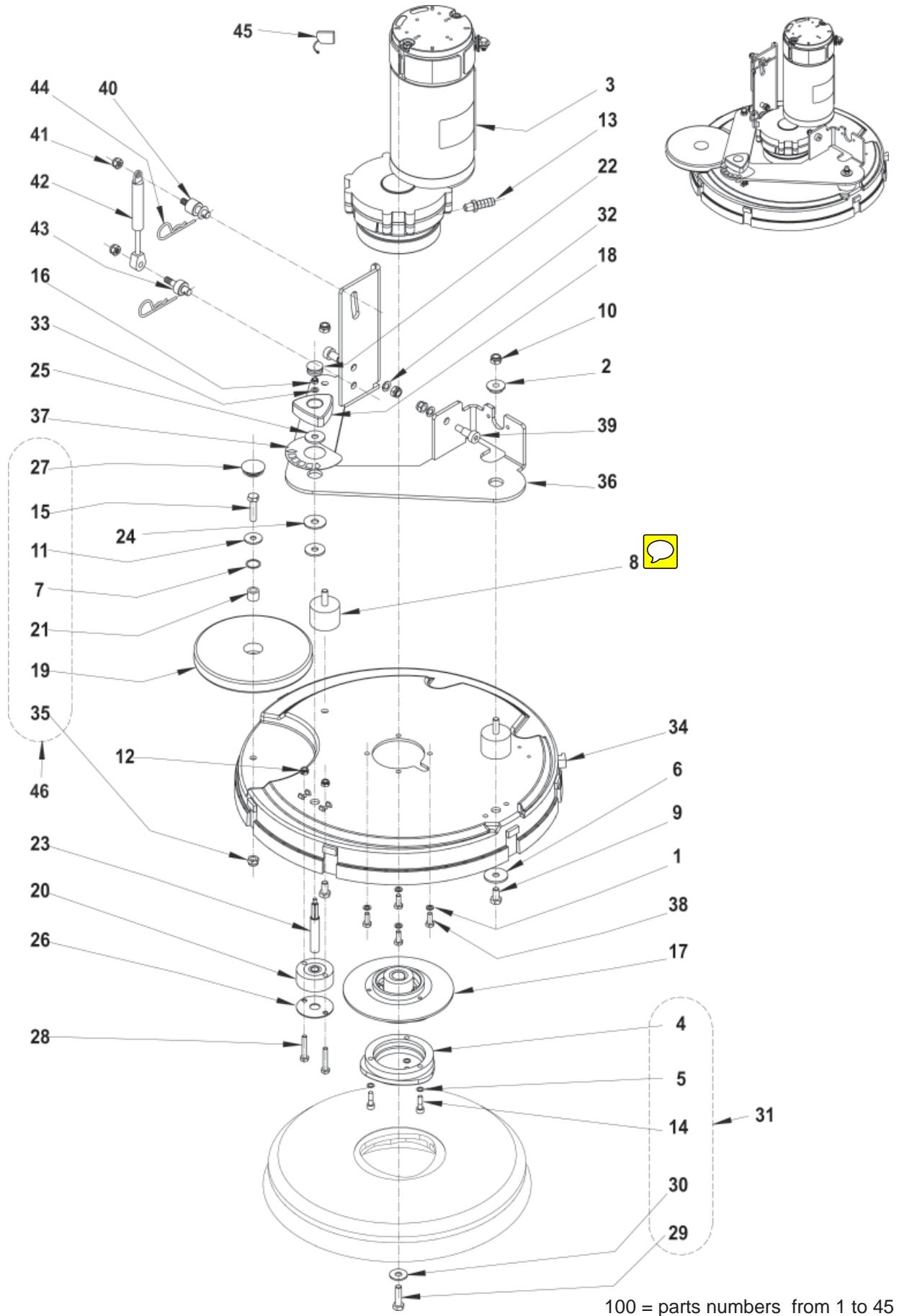




Pos Item Bild Rép	Codice Ref. No. Art. Nr. Réf. No	Q.tà Qty Menge Qté	Descrizione	Description	Beschreibung	Désignation
1	909 6495 000	3	VITE DI SPALLAMENTO M10X16	SHOULDER BOLT M10X16	SCHRAUBE	VIS
2	145 0252 000	4	RONDELLA DENTATA A D. 6 INOX	WASHER SS	BEILAGSCHEIBE	RONDELLE
3	xxxxxxx	1	RONDELLA ONDULATA	SPRING WASHER	BEILAGSCHEIBE	RONDELLE
4	08219000	1	ANTIVIBRANTE CILINDRI- CO M8	VIBRATION DAMPING M8	SCHWINGUNGSDAEMPFER	TAMPON
5	xxx xxxx xxx	1	VITE TE M8X16 INOX	SCREW HEX HD M8X16 SS	SCHRAUBE	VIS
6	xxxxxxx	4	DADO E. AUTOBLOCCANTE M8	NUT SELFLOCKING M8	MUTTER	ECROU
7	xxxxxxx	1	RONDELLA PIANA 8X24	WASHER 8X24	BEILAGSCHEIBE	RONDELLE
8	33005842	3	RONDELLA E. SPACCATA 8	WASHER SPLIT 8	BEILAGSCHEIBE	RONDELLE
9	08601624	1	PORTAGOMMA 1/4	PIPE HOLDER	SCHLAUCH HALTER	RACCORD
10	145 9959 000	4	VITE TE M6X16 INOX	SCREW HEX HD M6X16 SS	SCHRAUBE	VIS
11	xxxxxxx	1	VITE TE M8X30 INOX	SCREW HEX HD M8X30 SS	SCHRAUBE	VIS
12	xxx xxxx xxx	1	VITE TE M 6X 20 INOX	SCREW HEX HD M6X20 SS	SCHRAUBE	VIS
13	xxxxxxx	4	DADO E. AUTOBLOCCANTE M6 INOX	NUT HEX. SELFLOCK. M6 SS	MUTTER	ECROU
14	08603688	2	DADO E. BASSO AUTO- BLOCCANTE M5 INOX	NUT HEX. LOW SELF LOCK. M5 SS	MUTTER M5	ECROU M5
15	xxxxxxx	1	MOZZO SPAZZOLA	BRUSH HUB	NABE	MOYEU
16	08812719	4	RONDELLA PIANA 9X27	WASHER FLAT 9X27	BEILAGSCHEIBE	RONDELLE
17	xxxxxxx	2	VOLANTINO PER PIASTRA SPAZZOLA	KNOB	DREIKANTGRIFF	POIGNÉE
18	xxxxxxx	1	RULLO PARACOLPI	BUMPER ROLLER	ABWEISROLLE	ROUE PIVOTANT
19	08812213	2	DISTANZIALE PER PIASTRA SPAZZOLA	SPACER	ABSTANDSTUECK	ENTRETOISE
20	xxx xxxx xxx	1	MOTORIDUTTORE 520W 24V	REDUCTION GEARMOTOR CPL.	VERMINDERUNGSGE- TRIEBE	MOTOREDUCTEUR
21	xxxxxxx	1	DISTANZIALE	SPACER	ABSTANDSTUECK	ENTRETOISE
22	xxxxxxx	2	TAPPO PER VOLANTINO	CAP FOR KNOB	VERSCHLUßTOPFEN	BOULON
23	xxxxxxx	2	PERNO FISSAGGIO PIA- STRA SPAZZOLA	DOWEL BROOM PLATE FIXING	VERSTELLSCHRAUBE	AXE
24	xxxxxxx	2	RONDELLA IN GOMMA 10X30X2	WASHER RUBBER 10X30X2	BEILAGSCHEIBE	RONDELLE
25	08812779	2	PIASTRINA PER ANTI- BRANTE	VIBRATION DAMPING PLATE	SCHWINGUNGSDAEMP. LASCHE	PLAQUETTE
26	xxxxxxx	1	TAPPO PER RULLO PARA- COLPI	CAP, BUMPER ROLLER	STOPFEN	BOULON
27	145 0245 000	4	RONDELLA PIANA 8X24X2	WASHER	BEILAGSCHEIBE	RONDELLE
28	xxx xxxx xxx	1	RONDELLA PIANA 6X24 INOX	WASHER FLAT 6X24 SS	BEILAGSCHEIBE	RONDELLE
29	909 6533 000	1	ADESIVO REGOLAZIONE SPAZZOLA	DECAL BRUSH ADJUSTING	AUFKLEEBER	ADHESIF
30	xxx xxxx xxx	2	RONDELLA PIANA 5X10 INOX	WASHER FLAT 5X10 SS	BEILAGSCHEIBE 5X10 STAHL	RONDELLE 5X10 ACCIER
31	909 6043 000	1	TESTATA SPAZZOLA 450	BRUSH DECK 450	GRUNDPLATTE	PLATEAU DE BASE
32	xxx xxxx xxx	1	DADO E. AUTOBLOCCANTE M8 INOX	NUT HEX SELFLOCK M8 SS	MUTTER	ECROU
33	909 6485 000	1	PIASTRA SUPPORTO TESTA- TA SPAZ.	PLATE, DECK BRUSH OLDER	PLATTE	PLAQUE



Pos Item Bild Rép	Codice Ref. No. Art. Nr. Réf. No	Q.tà Qty Menge Qté	Descrizione	Description	Beschreibung	Désignation
34	909 6532 000	1	ADESIVO INCLINAZIONE SPAZ.	DECAL BRUSH ADJUSTING	AUFKLEEBER	ADHESIF
35	xxxxxxx	1	MOZZO SPAZZOLA	BRUSH HUB	BUERSTENNABE	SUPPORT POLYGONAL
36	xxxxxxx	1	RONDELLA ZIGRINATA M6	WASHER M6	BEILAGSCHEIBE	RONDELLE
37	xxx xxxx xxx	1	VITE TCEI M6X20 INOX CON LOCTITE	SCREW M6X20 SS	SCHRAUBE	VIS
38	08812589	1	KIT SUPPORTO POLIGONA- LE (12,28,35,36,37)	HOLDERPOLYG.W/FLAGE KIT (12,28,35,36,37)	POLYGONHALTER SATZ (12,28,35,36,37)	KIT SUPPORT POLYGONAL (12,28,35,36,37)
39	909 5380 000	1	CARBONCINO MOTORIDUT- TORE (4 PCS)	CARBON BRUSH (4 PCS)	KOHLLEN BUERSTE (4 PCS)	CHARBONS (4 PCS)
40	909 6887 000	1	KIT RULLO PARACOLPI (3,7,11,18,21,26,32)	BUMPER ROLLER KIT (3,7,11,18,21,26,32)	ABWEISROLLE SATZ (3,7,11,18,21,26,32)	KIT ROUE PIVOTANT (3,7,11,18,21,26,32)
0	909 6888 000	1	KIT VITERIA GRUPPO SPAZZOLA (5,6,12,13,15,17, 20,21,22,23,24,26,30)	BRUSH SYSTEM HARDWARE KIT (5,6,12,13,1 5,17,20,21,22,23,24,26,30)	ZUSATZ SCHRAUBEN BUERSTEN SYSTEM (5,6,12,13,15,17,20,21,22,23 ,24,26,30)	KIT VIS SYSTEME DE BROSSE (5,6,12,13,15,17,20, 21,22,23,24,26,30)



Pos Item Bild Rép	Codice Ref. No. Art. Nr. Réf. No	Q.tà Qty Menge Qté	Descrizione	Description	Beschreibung	Désignation
100	909 6852 000	1	KIT TESTATA BA451D	BRUSH DECK KIT BA451D	BUERSTEN SATZ BA451D	KIT BROSSE BA451D
1	145 0252 000	4	RONDELLA DENTATA A D. 6 INOX	WASHER SS	BEILAGSCHEIBE	RONDELLE
2	909 6513 000	1	BOCCOLA	BUSHING	BUECHSE	DOUILLE
3	909 6546 000	1	MOTORIDUTTORE 520W 24V	REDUCTION GEARMOTOR CPL.	VERMINDERUNGSGE- TRIEBE	MOTOREDUCTEUR
4	xxxxxxx	1	MOZZO SPAZZOLA	BRUSH HUB	BUERSTENNABE	SUPPORT POLYGONAL
5	xxxxxxx	1	RONDELLA ZIGRINATA M6	WASHER M6	BEILAGSCHEIBE	RONDELLE
6	145 0494 000	1	RONDELLA PIANA 8x32 INOX	WASHER FLAT 8X32 SS	BEILAGSCHEIBE	RONDELLE
7	xxxxxxx	1	RONDELLA ONDULATA	SPRING WASHER	BEILAGSCHEIBE	RONDELLE
8	08219000	2	ANTIVIBRANTE CILINDRI- CO M8	VIBRATION DAMPING M8	SCHWINGUNGSDAEMPFER	TAMPON
9	xxx xxxx xxx	2	VITE TE M8X16 INOX	SCREW HEX HD M8X16 SS	SCHRAUBE	VIS
10	xxxxxxx	4	DADO E. AUTOBLOCCANTE M8	NUT SELFLOCKING M8	MUTTER	ECROU
11	xxxxxxx	1	RONDELLA PIANA 8X24	WASHER 8X24	BEILAGSCHEIBE	RONDELLE
12	xxxxxxx	2	DADO E. BASSO AUTO- BLOCCANTE M6	NUT HEX SELFLOCKING M6	MUTTER	ECROU
13	08601624	1	PORTAGOMMA 1/4	PIPE HOLDER	SCHLAUCH HALTER	RACCORD
14	xxx xxxx xxx	1	VITE TCEI M6X20 INOX CON LOCTITE	SCREW M6X20 SS	SCHRAUBE	VIS
15	xxxxxxx	1	VITE TE M8X30 INOX	SCREW HEX HD M8X30 SS	SCHRAUBE	VIS
16	xxxxxxx	1	DADO E. BASSO AUTO- BLOCCANTE M5 INOX	NUT HEX. LOW SELF LOCK. M5 SS	MUTTER M5	ECROU M5
17	08812306	1	MOZZO SPAZZOLA	BRUSH HUB	NABE	MOYEU
18	xxxxxxx	1	VOLANTINO PER PIASTRA SPAZZOLA	KNOB	DREIKANTGRIFF	POIGNÉE
19	xxxxxxx	1	RULLO PARACOLPI	BUMPER ROLLER	ABWEISROLLE	ROUE PIVOTANT
20	xxxxxxx	1	DISTANZIALE PER PIASTRA SPAZZOLA	SPACER	ABSTANDSTUECK	ENTRETOISE
21	xxxxxxx	1	DISTANZIALE	SPACER	ABSTANDSTUECK	ENTRETOISE
22	xxxxxxx	1	TAPPO PER VOLANTINO	CAP FOR KNOB	VERSCHLUßSTOPFEN	BOULON
23	xxxxxxx	1	PERNO FISSAGGIO PIA- STRA SPAZZOLA	DOWEL BROOM PLATE FIXING	VERSTELLSCHRAUBE	AXE
24	xxxxxxx	1	RONDELLA IN GOMMA 10X30X2	WASHER RUBBER 10X30X2	BEILAGSCHEIBE	RONDELLE
25	xxxxxxx	2	RONDELLA PIANA 9X27	WASHER FLAT 9X27	BEILAGSCHEIBE	RONDELLE
26	xxxxxxx	1	PIASTRINA PER ANTI- BRANTE	VIBRATION DAMPING PLATE	SCHWINGUNGSDAEMP. LASCHE	PLAQUETTE
27	xxxxxxx	1	TAPPO PER RULLO PARA- COLPI	CAP, BUMPER ROLLER	STOPFEN	BOULON
28	xxx xxxx xxx	2	VITE TE M6X35 INOX	SCREW HEX HD M6X35 SS	SCHRAUBE	VIS
29	xxx xxxx xxx	1	VITE TE M 6X 20 INOX	SCREW HEX HD M6X20 SS	SCHRAUBE	VIS
30	xxx xxxx xxx	1	RONDELLA PIANA 6X24 INOX	WASHER FLAT 6X24 SS	BEILAGSCHEIBE	RONDELLE
31	08812589	1	KIT SUPPORTO POLIGONA- LE (4,5,14,29,30)	HOLDERPOLYG.W/FLAGE KIT (4,5,14,29,30)	POLYGONHALTER SATZ (4,5,14,29,30)	KIT SUPPORT POLYGONAL (4,5,14,29,30)
32	33005842	2	RONDELLA E. SPACCATA 8	WASHER SPLIT 8	BEILAGSCHEIBE	RONDELLE
33	xxx xxxx xxx	1	RONDELLA PIANA 5X10 INOX	WASHER FLAT 5X10 SS	BEILAGSCHEIBE 5X10 STAHL	RONDELLE 5X10 ACCIER STAHL

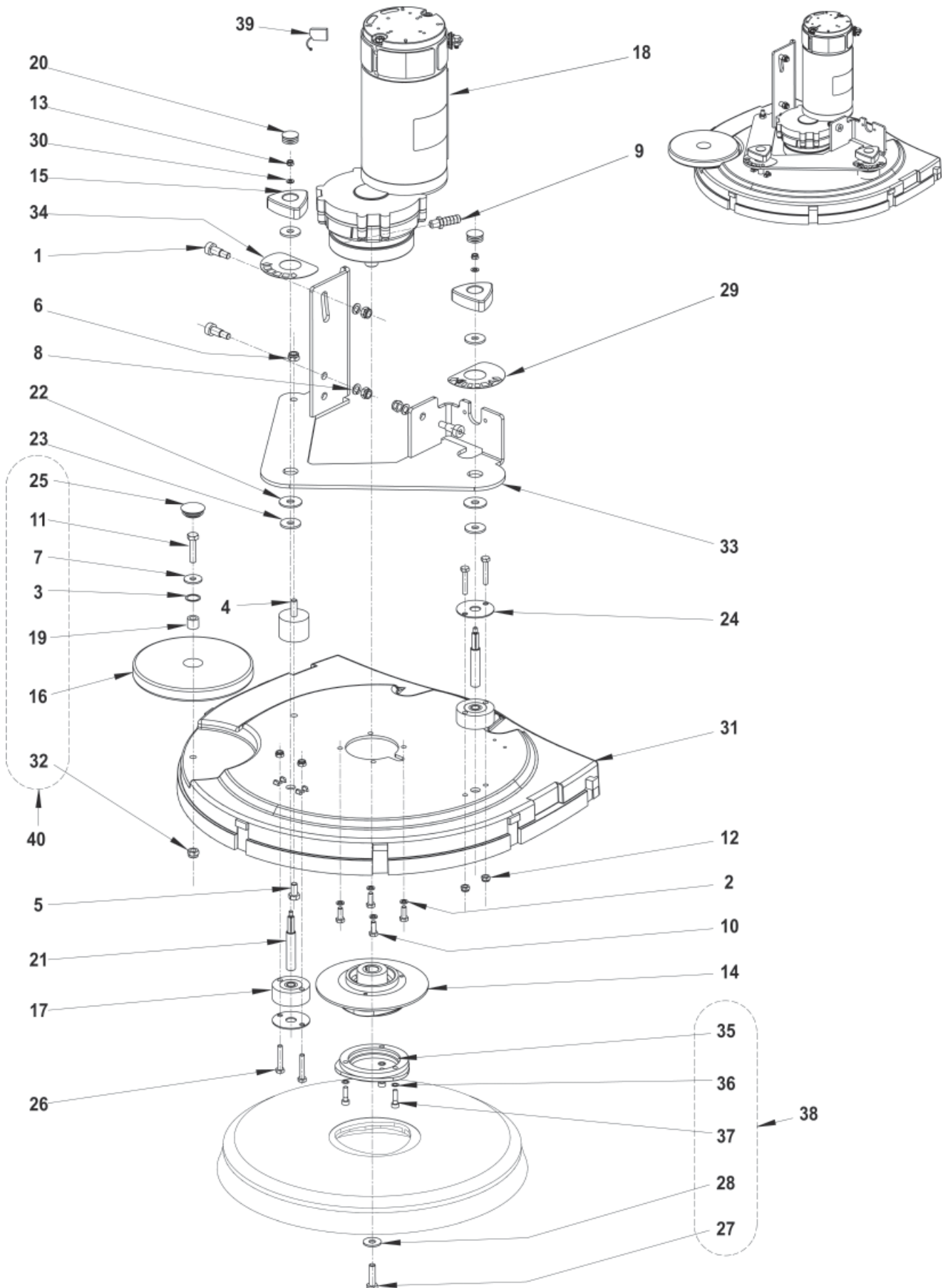


Pos Item Bild Rép	Codice Ref. No. Art. Nr. Réf. No	Q.tà Qty Menge Qté	Descrizione	Description	Beschreibung	Désignation
34	909 6043 000	1	TESTATA SPAZZOLA 450	BRUSH DECK 450	GRUNDPLATTE	PLATEAU DE BASE
35	xxx xxxx xxx	1	DADO E. AUTOBLOCCANTE M8 INOX	NUT HEX SELFLOCK M8 SS	MUTTER	ECROU
36	909 6485 000	1	PIASTRA SUPPORTO TESTA- TA SPAZ.	PLATE, DECK BRUSH OLDER	PLATTE	PLAQUE
37	909 6532 000	1	ADESIVO INCLINAZIONE SPAZ.	DECAL BRUSH ADJUSTING	AUFKLEEBER	ADHESIF
38	145 9959 000	4	VITE TE M6X16 INOX	SCREW HEX HD M6X16 SS	SCHRAUBE	VIS
39	909 6495 000	2	VITE DI SPALLAMENTO M10X16	SHOULDER BOLT M10X16	SCHRAUBE	VIS
40	909 6515 000	1	PERNO SUPERIORE MOLLA GAS	PIN	ZAPFEN	TIGE
41	33005607	2	DADO E. AUTOBLOCCANTE M8	NUT SELFLOCKING M8	MUTTER	ECROU
42	909 6514 000	1	MOLLA A GAS	GAS SPRING	FEDER	RESSORT
43	909 6516 000	1	PERNO INFERIORE MOLLA GAS	PIN	ZAPFEN	TIGE
44	145 8564 000	2	COPIGLIA 3	SPLIT PIN 3	SPLINT	GOUPILLE
45	909 5380 000	1	CARBONCINO MOTORIDUT- TORE (4 PCS)	CARBON BRUSH (4 PCS)	KOHLLEN BUERSTE (4 PCS)	CHARBONS (4 PCS)
46	909 6887 000	1	KIT RULLO PARACOLPI (7,11,15,19,21,27,35)	BUMPER ROLLER KIT (7,11,15,19,21,27,35)	ABWEISROLLE SATZ (7,11,15,19,21,27,35)	KIT ROUE PIVOTANT (7,11,15,19,21,27,35)
0	909 6888 000	1	KIT VITERIA GRUPPO SPAZZOLA (9,10,12,16,18,20, 22,23,24,25,26,28,33)	BRUSH SYSTEM HARDWARE KIT (9,10,12,16,18,20,22,23, 24,25,26,28,33)	ZUSATZ SCHRAUBEN BUERSTEN SYSTEM (9,10,12,16,18,20,22,23,24,25 ,26,28,33)	KIT VIS SYSTEME DE BROSSE (9,10,12,16,18,20,22 ,23,24,25,26,28,33)

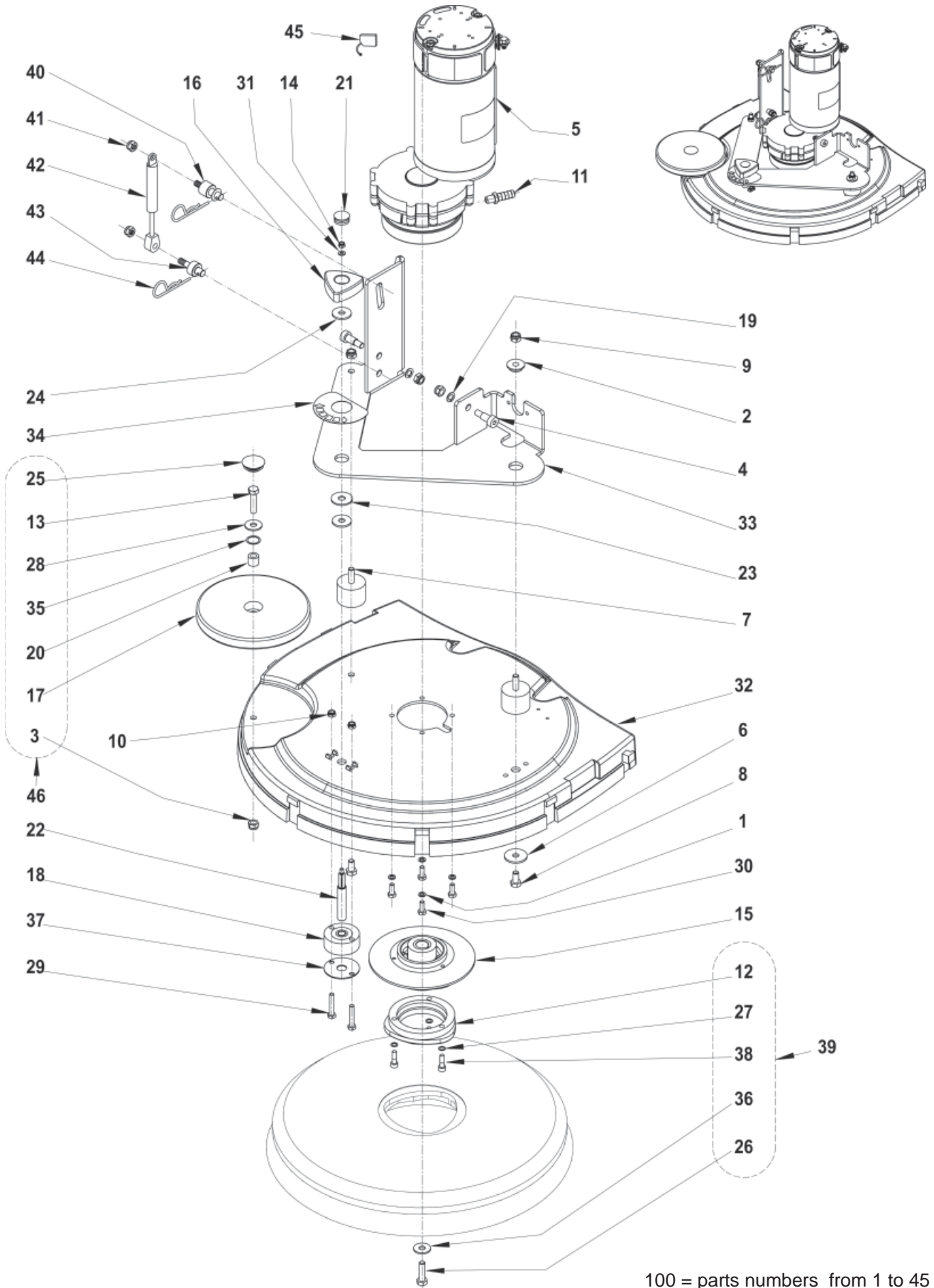




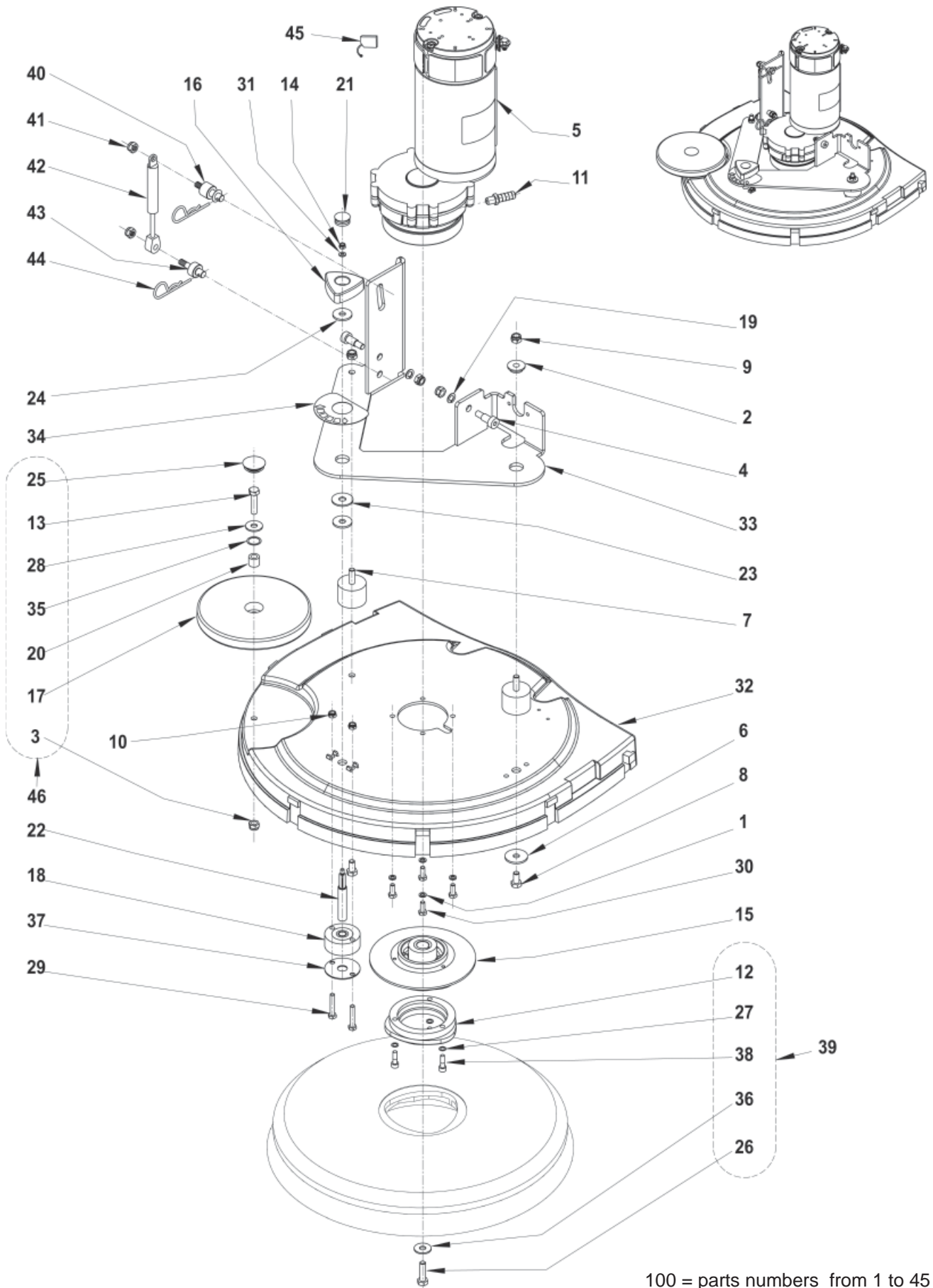
Pos Item Bild Rép	Codice Ref. No. Art. Nr. Réf. No	Q.tà Qty Menge Qté	Descrizione	Description	Beschreibung	Désignation
1	909 6495 000	3	VITE DI SPALLAMENTO M10X16	SHOULDER BOLT M10X16	SCHRAUBE	VIS
2	145 0252 000	4	RONDELLA DENTATA A D. 6 INOX	WASHER SS	BEILAGSCHEIBE	RONDELLE
3	xxxxxxx	1	RONDELLA ONDULATA	SPRING WASHER	BEILAGSCHEIBE	RONDELLE
4	08219000	1	ANTIVIBRANTE CILINDRI- CO M8	VIBRATION DAMPING M8	SCHWINGUNGSDAEMPFER	TAMPON
5	xxx xxxx xxx	1	VITE TE M8X16 INOX	SCREW HEX HD M8X16 SS	SCHRAUBE	VIS
6	xxxxxxx	4	DADO E. AUTOBLOCCANTE M8	NUT SELFLOCKING M8	MUTTER	ECROU
7	xxxxxxx	1	RONDELLA PIANA 8X24	WASHER 8X24	BEILAGSCHEIBE	RONDELLE
8	33005842	3	RONDELLA E. SPACCATA 8	WASHER SPLIT 8	BEILAGSCHEIBE	RONDELLE
9	08601624	1	PORTAGOMMA 1/4	PIPE HOLDER	SCHLAUCH HALTER	RACCORD
10	145 9959 000	4	VITE TE M6X16 INOX	SCREW HEX HD M6X16 SS	SCHRAUBE	VIS
11	xxxxxxx	1	VITE TE M8X30 INOX	SCREW HEX HD M8X30 SS	SCHRAUBE	VIS
12	xxxxxxx	4	DADO E. AUTOBLOCCANTE M6 INOX	NUT HEX. SELFLOCK. M6 SS	MUTTER	ECROU
13	xxxxxxx	2	DADO E. BASSO AUTO- BLOCCANTE M5 INOX	NUT HEX. LOW SELF LOCK. M5 SS	MUTTER M5	ECROU M5
14	08812306	1	MOZZO SPAZZOLA	BRUSH HUB	NABE	MOYEU
15	xxxxxxx	2	VOLANTINO PER PIASTRA SPAZZOLA	KNOB	DREIKANTGRIFF	POIGNÉE
16	xxxxxxx	1	RULLO PARACOLPI	BUMPER ROLLER	ABWEISROLLE	ROUE PIVOTANT
17	xxxxxxx	2	DISTANZIALE PER PIASTRA SPAZZOLA	SPACER	ABSTANDSTUECK	ENTRETOISE
18	909 6546 000	1	MOTORIDUTTORE 520W 24V	REDUCTION GEARMOTOR CPL.	VERMINDERUNGSGE- TRIEBE	MOTOREDUCTEUR
19	xxxxxxx	1	DISTANZIALE	SPACER	ABSTANDSTUECK	ENTRETOISE
20	xxxxxxx	2	TAPPO PER VOLANTINO	CAP FOR KNOB	VERSCHLUßSTOPFEN	BOULON
21	xxxxxxx	2	PERNO FISSAGGIO PIA- STRA SPAZZOLA	DOWEL BROOM PLATE FIXING	VERSTELLSCHRAUBE	AXE
22	xxxxxxx	2	RONDELLA IN GOMMA 10X30X2	WASHER RUBBER 10X30X2	BEILAGSCHEIBE	RONDELLE
23	xxxxxxx	4	RONDELLA PIANA 9X27	WASHER FLAT 9X27	BEILAGSCHEIBE	RONDELLE
24	xxxxxxx	2	PIASTRINA PER ANTI- BRANTE	VIBRATION DAMPING PLATE	SCHWINGUNGSDAEMP. LASCHE	PLAQUETTE
25	xxxxxxx	1	TAPPO PER RULLO PARA- COLPI	CAP, BUMPER ROLLER	STOPFEN	BOULON
26	xxx xxxx xxx	4	VITE TE M6X35 INOX	SCREW HEX HD M6X35 SS	SCHRAUBE	VIS
27	xxx xxxx xxx	1	VITE TE M 6X 20 INOX	SCREW HEX HD M6X20 SS	SCHRAUBE	VIS
28	xxx xxxx xxx	1	RONDELLA PIANA 6X24 INOX	WASHER FLAT 6X24 SS	BEILAGSCHEIBE	RONDELLE
29	909 6533 000	1	ADESIVO REGOLAZIONE SPAZZOLA	DECAL BRUSH ADJUSTING	AUFKLEEBER	ADHESIF
30	xxx xxxx xxx	2	RONDELLA PIANA 5X10	WASHER FLAT 5X10	BEILAGSCHEIBE 5X10	RONDELLE 5X10
31	909 6042 000	1	TESTATA SPAZZOLA 530	BRUSH DECK 530	GRUNDPLATTE	PLATEAU DE BASE
32	xxx xxxx xxx	1	DADO E. AUTOBLOCCANTE M8 INOX	NUT HEX SELFLOCK M8 SS	MUTTER	ECROU
33	909 6485 000	1	PIASTRA SUPPORTO TESTA- TA SPAZ.	PLATE, DECK BRUSH OLDER	PLATTE	PLAQUE



Pos Item Bild Rép	Codice Ref. No. Art. Nr. Réf. No	Q.tà Qty Menge Qté	Descrizione	Description	Beschreibung	Désignation
34	909 6532 000	1	ADESIVO INCLINAZIONE SPAZZOLA	DECAL BRUSH ADJUSTING	AUFKLEEBER	ADHESIF
35	xxxxxxx	1	MOZZO SPAZZOLA	BRUSH HUB	BUERSTENNABE	SUPPORT POLYGONAL
36	xxxxxxx	1	RONDELLA ZIGRINATA M6	WASHER M6	BEILAGSCHEIBE	RONDELLE
37	xxx xxxx xxx	1	VITE TCEI M6X20 INOX CON LOCTITE	SCREW M6X20 SS	SCHRAUBE	VIS
38	08812589	1	KIT SUPPORTO POLIGONA- LE (27,28,35,36,37)	HOLDERPOLYG.W/FLAGE KIT (27,28,35,36,37)	POLYGONHALTER SATZ (27,28,35,36,37)	KIT SUPPORT POLYGONAL (27,28,35,36,37)
39	909 5380 000	1	CARBONCINO MOTORIDUT- TORE (4 PCS)	CARBON BRUSH (4 PCS)	KOHLLEN BUERSTE (4 PCS)	CHARBONS (4 PCS)
40	909 6887 000	1	KIT RULLO PARACOLPI (3,7,11,16,19,25,32)	BUMPER ROLLER KIT (3,7,11,16,19,25,32)	ABWEISROLLE SATZ (3,7,11,16,19,25,32)	KIT ROUE PIVOTANT (3,7,11,16,19,25,32)
0	909 6888 000	1	KIT VITERIA GRUPPO SPAZZOLA (5,6,12,13,15,17, 20,21,22,23,24,26,30)	BRUSH SYSTEM HARDWARE KIT (5,6,12,13,1 5,17,20,21,22,23,24,26,30)	ZUSATZ SCHRAUBEN BUERSTEN SYSTEM (5,6,12,13,15,17,20,21,22,23 ,24,26,30)	KIT VIS SYSTEME DE BROSSE (5,6,12,13,15,17,20, 21,22,23,24,26,30)



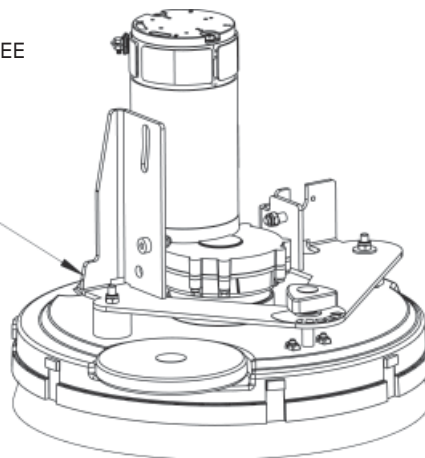
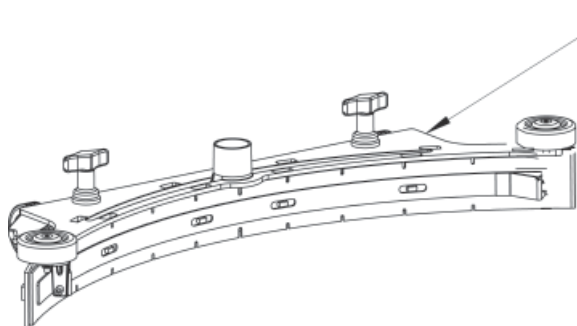
Pos Item Bild Rép	Codice Ref. No. Art. Nr. Réf. No	Q.tà Qty Menge Qté	Descrizione	Description	Beschreibung	Désignation
100	909 6853 000	1	KIT TESTATA BA531D	BRUSH DECK KIT BA531D	BUERSTEN SATZ BA551D	KIT BROSSE BA551D
1	145 0252 000	4	RONDELLA DENTATA A D. 6 INOX	WASHER SS	BEILAGSCHEIBE	RONDELLE
2	909 6513 000	1	BOCCOLA	BUSHING	BUECHSE	DOUILLE
3	xxx xxxx xxx	1	DADO E. AUTOBLOCCANTE M8 INOX	NUT HEX SELFLOCK M8 SS	MUTTER	ECROU
4	909 6495 000	2	VITE DI SPALLAMENTO M10X16	SHOULDER BOLT M10X16	SCHRAUBE	VIS
5	909 6546 000	1	MOTORIDUTTORE 520W 24V	REDUCTION GEARMOTOR CPL.	VERMINDERUNGSGE- TRIEBE	MOTOREDUCTEUR
6	145 0494 000	1	RONDELLA PIANA 8x32 INOX	WASHER FLAT 8X32 SS	BEILAGSCHEIBE	RONDELLE
7	08219000	2	ANTIVIBRANTE CILINDRI- CO M8	VIBRATION DAMPING M8	SCHWINGUNGSDAEMPFER	TAMPON
8	xxx xxxx xxx	2	VITE TE M8X16 INOX	SCREW HEX HD M8X16 SS	SCHRAUBE	VIS
9	xxxxxxxx	4	DADO E. AUTOBLOCCANTE M8	NUT SELFLOCKING M8	MUTTER	ECROU
10	33005604	2	DADO E. BASSO AUTO- BLOCCANTE M6	NUT HEX SELFLOCKING M6	MUTTER	ECROU
11	08601624	1	PORTAGOMMA 1/4	PIPE HOLDER	SCHLAUCH HALTER	RACCORD
12	08812480	1	MOZZO SPAZZOLA	BRUSH HUB	BUERSTENNABE	SUPPORT POLYGONAL
13	xxxxxxxx	1	VITE TE M8X30 INOX	SCREW HEX HD M8X30 SS	SCHRAUBE	VIS
14	xxxxxxxx	1	DADO E. BASSO AUTO- BLOCCANTE M5 INOX	NUT HEX. LOW SELF LOCK. M5 SS	MUTTER M5	ECROU M5
15	08812306	1	MOZZO SPAZZOLA	BRUSH HUB	NABE	MOYEU
16	xxxxxxxx	1	VOLANTINO PER PIASTRA SPAZZOLA	KNOB	DREIKANTGRIFF	POIGNÉE
17	xxxxxxxx	1	RULLO PARACOLPI	BUMPER ROLLER	ABWEISROLLE	ROUE PIVOTANT
18	xxxxxxxx	1	DISTANZIALE PER PIASTRA SPAZZOLA	SPACER	ABSTANDSTUECK	ENTRETOISE
19	33005842	2	RONDELLA E. SPACCATA 8	WASHER SPLIT 8	BEILAGSCHEIBE	RONDELLE
20	xxxxxxxx	1	DISTANZIALE	SPACER	ABSTANDSTUECK	ENTRETOISE
21	xxxxxxxx	1	TAPPO PER VOLANTINO	CAP FOR KNOB	VERSCHLUßSTOPFEN	BOULON
22	xxxxxxxx	1	PERNO FISSAGGIO PIA- STRA SPAZZOLA	DOWEL BROOM PLATE FIXING	VERSTELLSCHRAUBE	AXE
23	xxxxxxxx	1	RONDELLA IN GOMMA 10X30X2	WASHER RUBBER 10X30X2	BEILAGSCHEIBE	RONDELLE
24	xxxxxxxx	2	RONDELLA PIANA 9X27	WASHER FLAT 9X27	BEILAGSCHEIBE	RONDELLE
25	xxxxxxxx	1	TAPPO PER RULLO PARA- COLPI	CAP, BUMPER ROLLER	STOPFEN	BOULON
26	xxx xxxx xxx	1	VITE TE M 6X 20 INOX	SCREW HEX HD M6X20 SS	SCHRAUBE	VIS
27	08353300	3	RONDELLA ZIGRINATA M6	WASHER M6	BEILAGSCHEIBE	RONDELLE
28	xxxxxxxx	1	RONDELLA PIANA 8X24	WASHER FLAT 8X24	BEILAGSCHEIBE	RONDELLE
29	xxx xxxx xxx	2	VITE TE M6X35 INOX	SCREW HEX HD M6X35 SS	SCHRAUBE	VIS
30	145 9959 000	4	VITE TE M6X16 INOX	SCREW HEX HD M6X16 SS	SCHRAUBE	VIS
31	xxx xxxx xxx	1	RONDELLA PIANA 5X10	WASHER FLAT 5X10	BEILAGSCHEIBE 5X10	RONDELLE 5X10
32	909 6042 000	1	TESTATA SPAZZOLA 530	BRUSH DECK 530	GRUNDPLATTE	PLATEAU DE BASE
33	909 6485 000	1	PIASTRA SUPPORTO TESTA- TA SPAZ.	PLATE, DECK BRUSH OLDER	PLATTE	PLAQUE



Pos Item Bild Rép	Codice Ref. No. Art. Nr. Réf. No	Q.tà Qty Menge Qté	Descrizione	Description	Beschreibung	Désignation
34	909 6532 000	1	ADESIVO INCLINAZIONE SPAZ.	DECAL BRUSH ADJUSTING	AUFKLEEBER	ADHESIF
35	xxxxxxx	1	RONDELLA ONDULATA	SPRING WASHER	BEILAGSCHEIBE	RONDELLE
36	xxx xxxx xxx	1	RONDELLA PIANA 6X24 INOX	WASHER FLAT 6X24 SS	BEILAGSCHEIBE	RONDELLE
37	xxxxxxx	1	PIASTRINA PER ANTIVIBRANTE	VIBRATION DAMPING PLATE	SCHWINGUNGSDAEMP. LASCHE	PLAQUETTE
38	909 5056 000	1	VITE TCEI M6X20 INOX CON LOCTITE	SCREW M6X20 SS	SCHRAUBE	VIS
39	08812589	1	KIT SUPPORTO POLIGONALE (26,36,42,43,44)	HOLDERPOLYG.W/FLAGE KIT (26,36,42,43,44)	POLYGONHALTER SATZ (26,36,42,43,44)	KIT SUPPORT POLYGONAL (26,36,42,43,44)
40	909 6515 000	1	PERNO SUPERIORE MOLLA GAS	PIN	ZAPFEN	TIGE
41	33005607	2	DADO E. AUTOBLOCCANTE M8	NUT SELFLOCKING M8	MUTTER	ECROU
42	xxx xxxx xxx	1	MOLLA A GAS	GAS SPRING	FEDER	RESSORT
43	xxx xxxx xxx	1	PERNO INFERIORE MOLLA GAS	PIN	ZAPFEN	TIGE
44	xxx xxxx xxx	2	COPIGLIA 3	SPLIT PIN 3	SPLINT	GOUPILLE
45	909 5380 000	1	CARBONCINO MOTORIDUTTORE (4 PCS)	CARBON BRUSH (4 PCS)	KOHLN BUERSTE (4 PCS)	CHARBONS (4 PCS)
46	909 6887 000	1	KIT RULLO PARACOLPI (3,13,17,20,25,28,35)	BUMPER ROLLER KIT (3,13,17,20,25,28,35)	ABWEISROLLE SATZ (3,13,17,20,25,28,35)	KIT ROUE PIVOTANT (3,13,17,20,25,28,35)
0	909 6888 000	1	KIT VITERIA GRUPPO SPAZZOLA (8,9,14,16,18,21,22,23,24,29,31,37)	BRUSH SYSTEM HARDWARE KIT (8,9,14,16,18,21,22,23,24,29,31,37)	ZUSATZ SCHRAUBEN BUERSTEN SYSTEM (8,9,14,16,18,21,22,23,24,29,31,37)	KIT VIS SYSTEME DE BROSSE (8,9,14,16,18,21,22,23,24,29,31,37)

**BA 451 D**

Item	Ref. No.	Qty	Description
1	909 6847 000	1	DISC SCRUB DECK KIT COMPLETE WITH SQUEEGEE



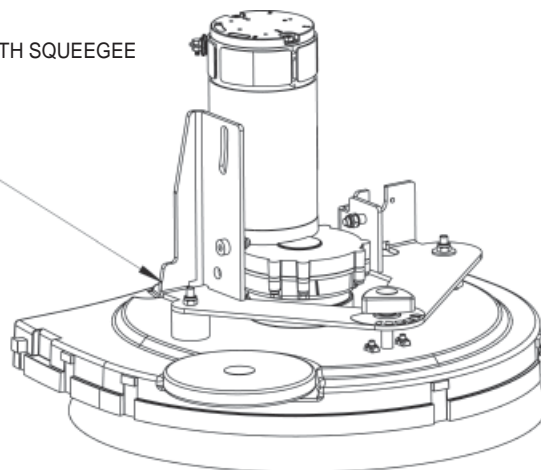
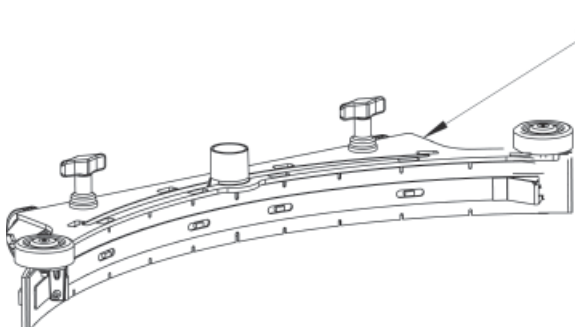
**BA 451 / BA 451 D**

**Ref. No. - BRUSHES**

- 08837020 - PROLENE
- 08837021 - PROLITE
- 08837022 - UNION MIX
- 08837023 - MIDLITE
- 08837024 - MIDGRIT
- 08837017 - PAD HODER KIT

**BA 531 D**

Item	Ref. No.	Qty	Description
2	909 6848 000	1	DISC SCRUB DECK KIT COMPLETE WITH SQUEEGEE



**BA 531 / BA 531 D**

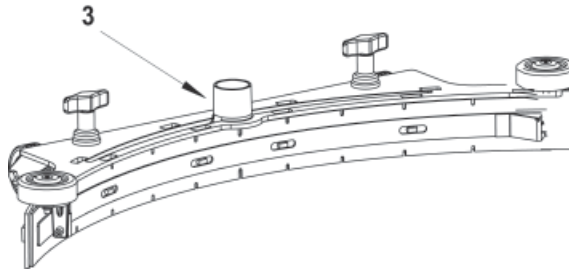
**Ref. No. - BRUSHES**

- 08837025 - PROLENE
- 08837026 - PROLITE
- 08837027 - UNION MIX
- 08837028 - MIDLITE GRIT
- 08837029 - MID GRIT 240
- 08837065 - MAGNA GRIT 46
- 08837066 - DYNA GRIT 80
- 08837067 - AGLITE GRIT 500
- 08837018 - PAD HOLDER KIT

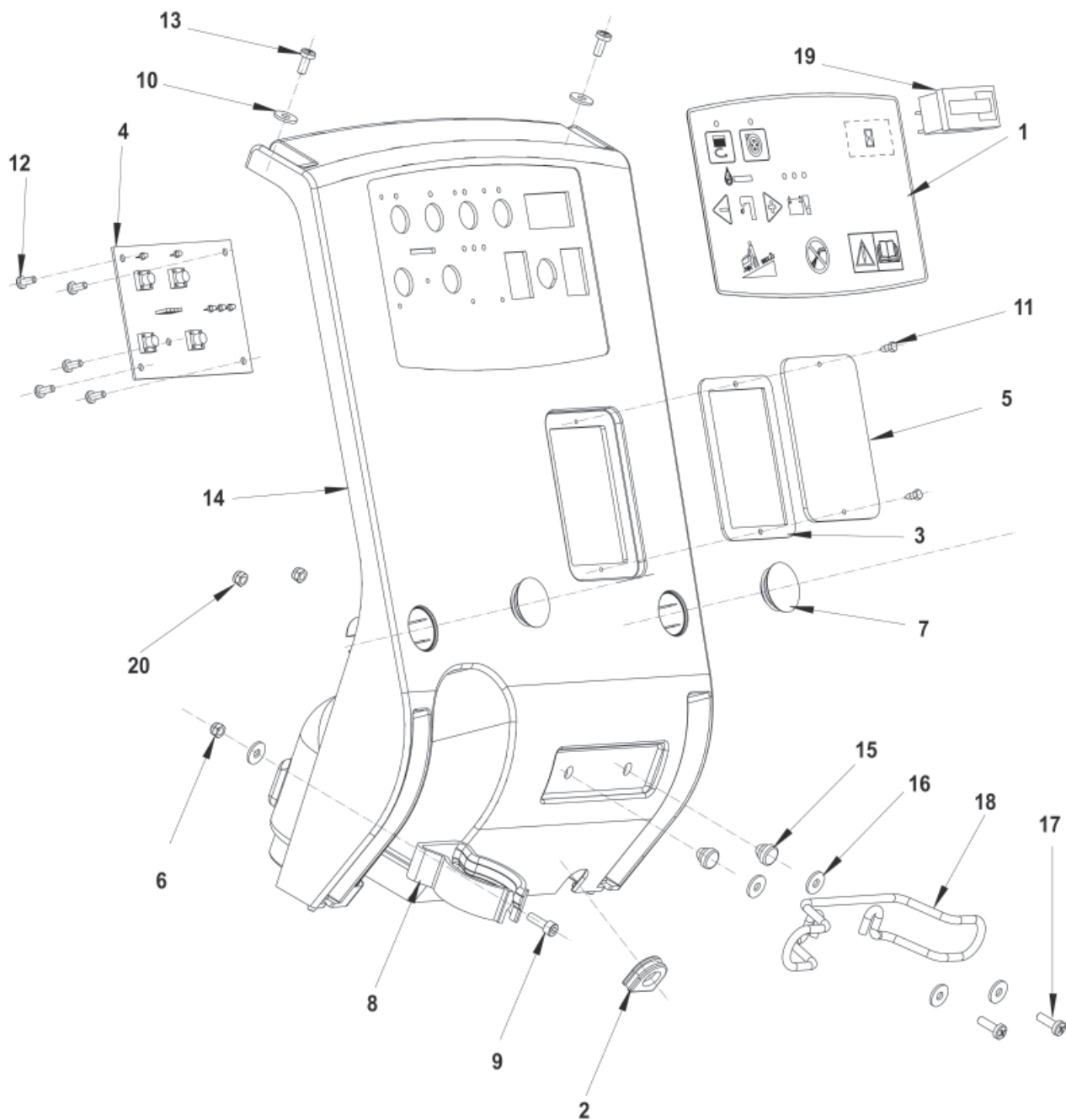


**BA 451 / BA 451 D / BA 531 / BA 531 D**

Item	Ref. No.	Qty	Description
4	08603878	1	SQUEEGEE KIT
4	909 6851 000	1	SQUEEGEE KIT ALUMINIUM

**BA 451 / BA 451 D / BA 531 / BA 531 D****Ref. No. - ALUMINIUM SQUEEGEE BLADES**

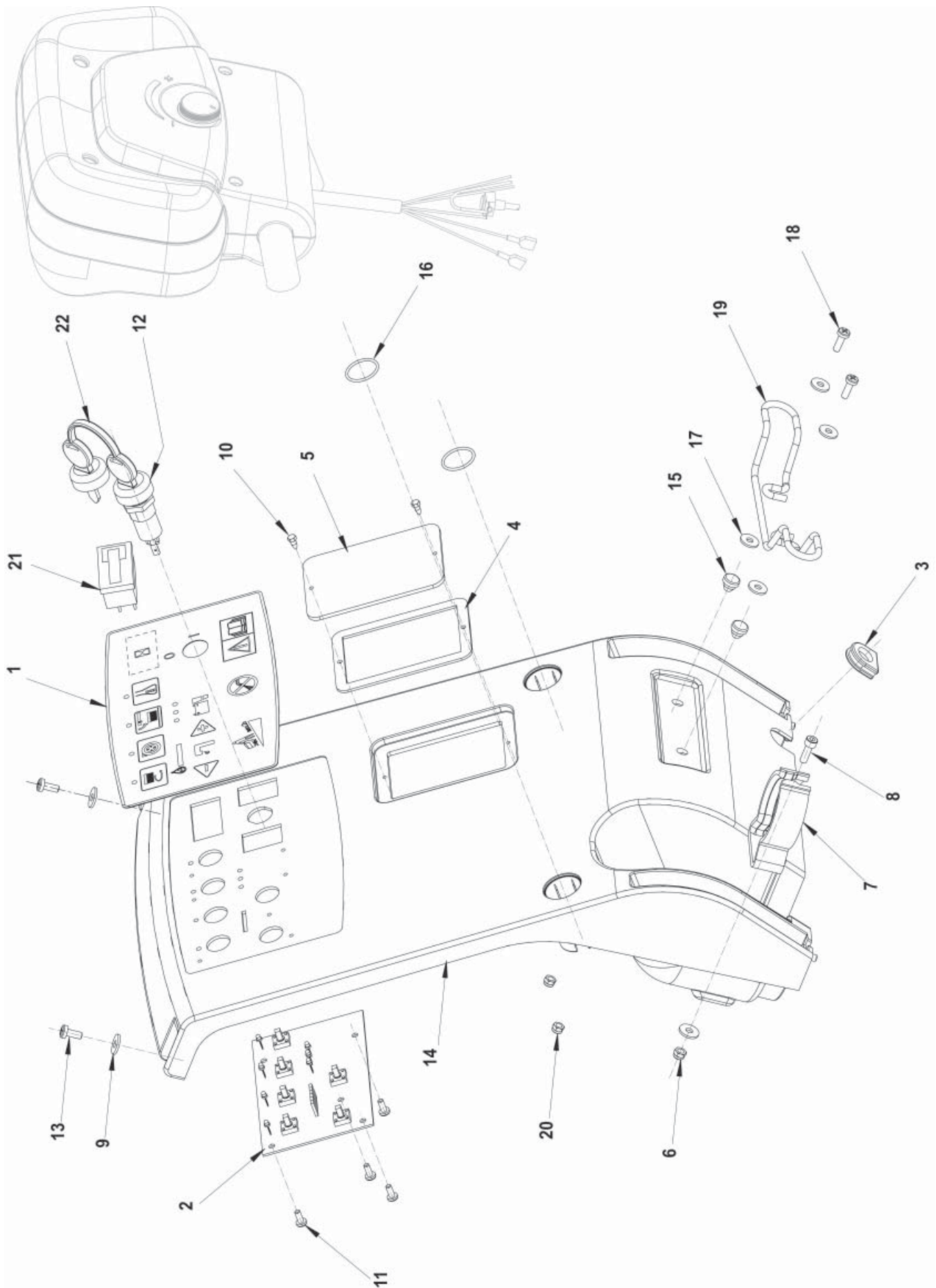
- 909 6483 000 - FRONT BLADE STANDARD
- 909 6484 000 - REAR BLADE STANDARD
- 909 6860 000 - WEAR PACK: STD SQUEEGEE BLADES
- 909 6858 000 - WEAR PACK: PU SQUEEGEE BLADES



Pos Item Bild Rép	Codice Ref. No. Art. Nr. Réf. No	Q.tà Qty Menge Qté	Descrizione	Description	Beschreibung	Désignation
1	909 6099 000	1	SERIGRAFIA PLANCIA	DECAL CONTROL PANEL	SCHALTPLATTE FOLIE	SERIGRAPHIE
2A	909 6542 000	1	PASSACAVO CON MEMBRANA	GROMMET	KABELFUEHRUNG	CABLE GUIDE
3	909 6545 000	1	GUARNIZIONE OBLÒ DI ISPEZIONE	GASKET	DICHTUNG	JOINT
4	909 6552 000	1	SCHEDA ELETTRONICA	ELECTRONIC CARD	ELEKTRONISCHE KARTE	CARTE ELECTRONIQUE
5A	909 6655 000	1	COPERCHIO OBLÒ DI ISPEZIONE	COVER	DECKEL	COUVERCLE
6	33005603	1	DADO E. AUTOBLOCCANTE M5	NUT HEX SELF LOCK M5	MUTTER	ECROU
7	08812365	2	TAPPO PER SERBATOIO	CAP, TANK LOCKING	KAPPE	BOUCHON
8	08812967	1	FASCETTA FISSATUBO Ø 50	CLAMP Ø50 SS	PASSRING	COLLIER
9	33004124	1	VITE TCEI M 5X 16 INOX	SCREW SOCKET HD M5X16 SS	SCHRAUBE	VIS
10	145 8280 000	5	RONDELLA PIANA 5X15 INOX	WASHER FLAT 5X15 SS	BEILAGSCHEIBE	RONDELLE
11	145 9211 000	2	VITE TE 3,9X9,5 AUTOF.	SCREW	SCHRAUBE	VIS
12	146 0783 000	5	VITE TCTC 4X10 AUTOF.	SCREW PAN HD 4X10 THD	SCHRAUBE	VIS
13	33004122	4	VITE TCEI M5X12 INOX	SCREW M5X12 SS	SCHRAUBE	VIS
14	909 6053 000	1	COPERCHIO COMPONENTI ELETTRICI	ELECTRIC COMPONENTS COVER	DECKEL	COUVERCLE
15A	909 6553 000	2	TAPPO	PLUG	STÖPSEL	BOUCHON
16B	145 1261 000	4	RONDELLA	WASHER	BEILAGSCHEIBE	RONDELLE
17B	146 2090 000	2	VITE TCTC M5X16	SCREW CYL HD M5X16	SCHRAUBE	VIS
18B	909 5149 000	1	SUPPORTO CAVO CARICA-BATTERIE	SUPPORT BATTERY CHARGER CABLE	HALTER	SUPPORT
19*	08812350	1	CONTAORE 24V	COUNTER HOUR 24V	STUNDENZAHLER	HORAMETRE
20B	33005603	2	DADO E. AUTOBLOCCANTE M5	NUT HEX SELF LOCK M5	MUTTER	ECROU
0	145 8368 000	1	FUSIBILE 3A	FUSE 3A	SICHERUNG 3A	FUSIBLE 3A

A : ONLY VERSION WITHOUT BATTERY CHARGER ON BOARD

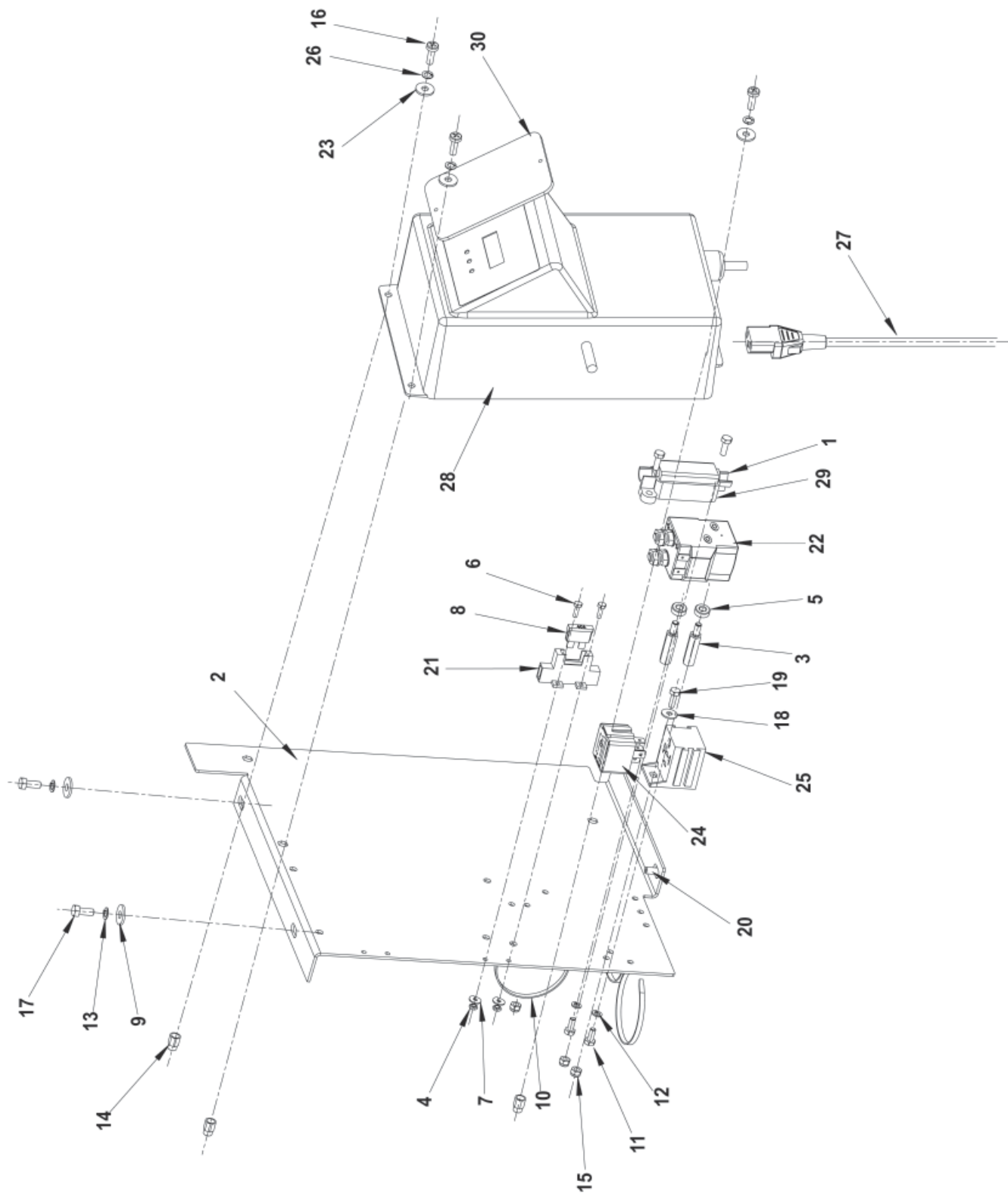
B : ONLY VERSION WITH BATTERY CHARGER ON BOARD



Pos Item Bild Rép	Codice Ref. No. Art. Nr. Réf. No	Q.tà Qty Menge Qté	Descrizione	Description	Beschreibung	Désignation
1	909 6057 000	1	SERIGRAFIA PLANCIA	DECAL CONTROL PANEL	SCHALTPLATTE FOLIE	SERIGRAPHIE TABLEAU DU BORD
2	909 6499 000	1	SCHEDA ELETTRONICA PLANCIA	ELECTRONIC CARD	ELEKTRONISCHE KARTE	CARTE ELECTRONIQUE
3A	909 6542 000	1	PASSACAVO CON MEMBRANA	GROMMET	KABELFUEHRUNG	CABLE GUIDE
4	909 6545 000	1	GUARNIZIONE OBLÒ DI ISPEZIONE	GASKET	DICHTUNG	JOINT
5A	909 6655 000	1	COPERCHIO OBLÒ DI ISPEZIONE	COVER	DECKEL	COUVERCLE
6	33005603	1	DADO E. AUTOBLOCCANTE M5	NUT HEX SELF LOCK M5	MUTTER	ECROU
7	08812967	1	FASCETTA FISSATUBO Ø 50	CLAMP Ø50 SS	PASSRING	COLLIER
8	33004124	1	VITE TCEI M 5X 16 INOX	SCREW SOCKET HD M5X16 SS	SCHRAUBE	VIS
9	145 8280 000	5	RONDELLA PIANA 5X15 INOX	WASHER FLAT 5X15 SS	BEILAGSCHEIBE	RONDELLE
10	145 9211 000	2	VITE TE 3,9X9,5 AUTOF.	SCREW	SCHRAUBE	VIS
11	146 0783 000	5	VITE TCTC 4X10 AUTOF.	SCREW PAN HD 4X10 THD	SCHRAUBE	VIS
12	146 2888 000	1	INTERRUTTORE A CHIAVE	KEY SWITCH	SCHLUSSELSCHALTER	CLE DEMARRAGE
13	33004122	4	VITE TCEI M5X12 INOX	SCREW M5X12 SS	SCHRAUBE	VIS
14	909 6053 000	1	COPERCHIO COMPONENTI ELETTRICI	ELECTRIC COMPONENTS COVER	DECKEL	COUVERCLE
15A	909 6553 000	2	TAPPO	PLUG	STÖPSEL	BOUCHON
16	909 6675 000	2	GUARNIZIONE O-RING 2087	O-RING 132	DICHTUNG	JOINT
17B	145 1261 000	4	RONDELLA	WASHER	BEILAGSCHEIBE	RONDELLE
18B	146 2090 000	2	VITE TCTC M5X16	SCREW CYL HD M5X16	SCHRAUBE	VIS
19B	909 5149 000	1	SUPPORTO CAVO CARICA-BATTERIE	SUPPORT BATTERY CHARGER CABLE	HALTER	SUPPORT
20B	33005603	3	DADO E. AUTOBLOCCANTE M5	NUT HEX SELF LOCK M5	MUTTER	ECROU
21*	08812350	1	CONTAORE 24V	COUNTER HOUR 24V	STUNDENZAHLER	HORAMETRE
22	146 2887 000	1	CHIAVE DI ACCENSIONE	KEY	SCHLUESSEL	CLE
0	145 8368 000	2	FUSIBILE 3A	FUSE 3A	SICHERUNG 3A	FUSIBLE 3A
0	909 6678 000	1	FUSIBILE 20A	FUSE 20A	SICHERUNG 20A	FUSIBLE 20A

A : ONLY VERSION WITHOUT BATTERY CHARGER ON BOARD

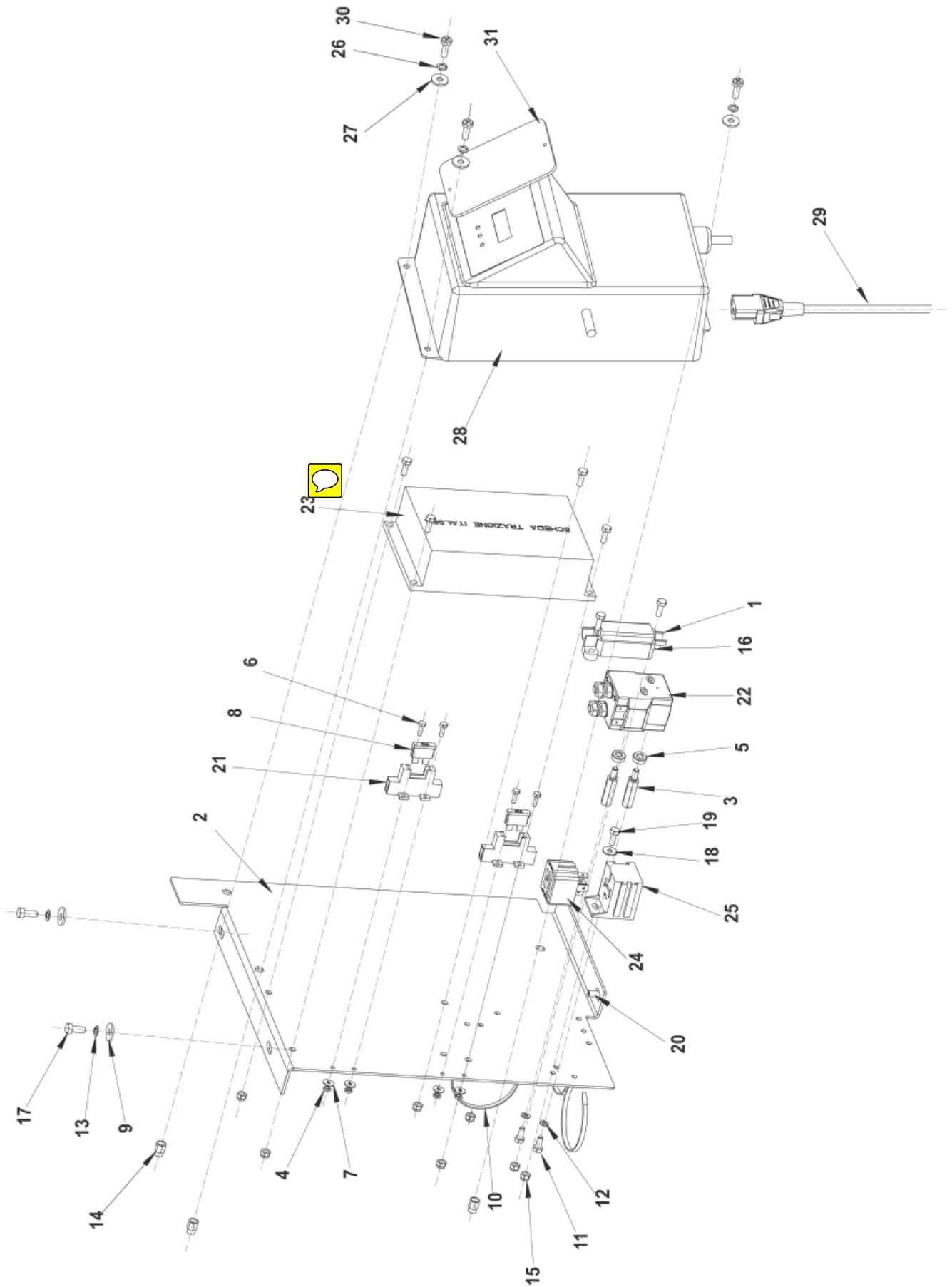
B : ONLY VERSION WITH BATTERY CHARGER ON BOARD



Pos Item Bild Rép	Codice Ref. No. Art. Nr. Réf. No	Q.tà Qty Menge Qté	Descrizione	Description	Beschreibung	Désignation
1	145 8046 000	1	PORTAFUSIBILE LAMEL- LARE	FUSE CARRIER	SICHERUNGSHALTER	SUPPORT DU FUSIBLE
2	909 6498 000	1	SUPPORTO COMP. ELET- TRICI	SUPPORT	HALTERUNG	SUPPORT
3	909 6676 000	2	DISTANZIALE M4 L=25	SPACER M4 L=25	ABSTANDSTUECK	ENTRETOISE
4	33005499	2	DADO	NUT HEX M3	MUTTER	ECROU
5	08812801	2	DISTANZIALE	SPACER	ABSTANDSTUECK	ENTRETOISE
6	08812964	4	VITE TE M3X10	SCREW HEX HD M3X10	SCHRAUBE	VIS
7	08812986	2	RONDELLA E. SPACCATA 3 INOX	WASHER SPLIT 3 SS	BEILAGSCHEIBE	RONDELLE
8	145 8513 000	1	FUSIBILE 30A	FUSE 30A	SICHERUNG 30A	FUSIBLE 30A
9	145 1261 000	2	RONDELLA	WASHER	BEILAGSCHEIBE	RONDELLE
10	145 1449 000	3	FASCETTA	CLAMP	SHELLE	COLLIER
11	33003947	2	VITE TE M4X10	SCREW HEX HD M4X10	SCHRAUBE	VIS
12	33005838	2	RONDELLA E. SPACCATA 4	WASHER SPLIT 4	BEILAGSCHEIBE	RONDELLE
13	33005839	2	RONDELLA E. SPACCATA 5	WASHER	BEILAGSCHEIBE	RONDELLE
14B	145 6132 000	3	INSERTO M5	INSERT M5	ABSTANDROHR	INSERT
15	145 5743 000	3	DADO E. BASSO AUTO- BLOCCANTE M4	NUT	MUTTER	ECROU
16B	909 6337 000	3	VITE TCTC M5X12	SCREW CYL HD M5X12	SCHRAUBE	VIS
17	33003960	2	VITE TE M5X12	SCREW HEX. HD M5X12	SCHRAUBE	VIS
18	145 9237 000	1	RONDELLA PIANA 4X12	WASHER FLAT 4X12	BEILAGSCHEIBE	RONDELLE
19	33003947	3	VITE TE M4X10	SCREW HEX HD M4X10	SCHRAUBE	VIS
20	146 0622 000	1	GRANO	DOWEL	STIFT	GOUPILLE
21	146 0660 000	2	PORTAFUSIBILE LAMEL- LARE	BLADE FUSE HOLDER	SICHERUNGSHALTER	SUPPORT FUSIBLE
22	146 0719 000	1	TELERUTTORE DOPPIO 24V	ELECTROMAGNETIC SWITCH 24V	SCHALTER	TELERUPTEUR
23B	145 1261 000	3	RONDELLA	WASHER	BEILAGSCHEIBE	RONDELLE
24	909 6622 000	1	RELE' 24V 40A	RELAY 24V 40A	RELAIS 24V 40A	RELAIS 24V 40A
25	909 6616 000	1	CABLAGGIO VANO COMP. ELETTR.	HARNESS ELECTRIC BOX	KABELVERBINDUNG	CABLAGE
26B	33005839	3	RONDELLA E. SPACCATA 5	WASHER	BEILAGSCHEIBE	RONDELLE
27B	909 5633 000	1	PROLUNGA CAVO CARICA BATTERIA	CABLE EXTENTION	KABELVERLAENGERUNG	CABLE EXTENTION
27B	909 5676 000	1	PROLUNGA CAVO CARICA BATTERIA UK	CABLE EXTENTION UK	KABELVERLAENGERUNG UK	CABLE EXTENTION UK
27B	909 5783 000	1	PROLUNGA CAVO CARICA BATTERIA J	CABLE EXTENTION J	KABELVERLAENGERUNG J	CABLE EXTENTION J
28B	909 6541 000	1	CARICABATERIA 24V 13A 230V	BATTERY CHARGER 24V 13A	CHARGER	CHARGEUR DE BATTERIE
29	145 3824 000	1	FUSIBILE 40A NASTRO	STRIP FUSE 40A	SICHERUNG 40A	FUSIBLE 40A
30B	909 5313 000	1	OBLÒ DI ISPEZIONE	INSPECTION PLATE	INSPIZIERUNGSPLATTE	FENETRE D'INSPECTION
0	909 6844 000	1	CABLAGGIO MACCHINA	MACHINE HARNESS	MACHINE KABELVERBIN- DUNG	CABLAGE MACHINE
0	909 6840 000	1	CABLAGGIO ASPIRATORE	HARNESS VACUUM CLEA- NER	KABELVERBINDUNG	CABLAGE
0	909 6618 000	1	CABLAGGIO BATTERIA	BATTERY HARNESS	BATTERIE KABELVERBIN- DUNG	CABLAGE BATTERIE
0 A	146 1986 000	1	CONNETTORE 120A	CONNECTOR 120A	STECKER	PRISE

A : ONLY VERSION WITHOUT BATTERY CHARGER ON BOARD

B : ONLY VERSION WITH BATTERY CHARGER ON BOARD



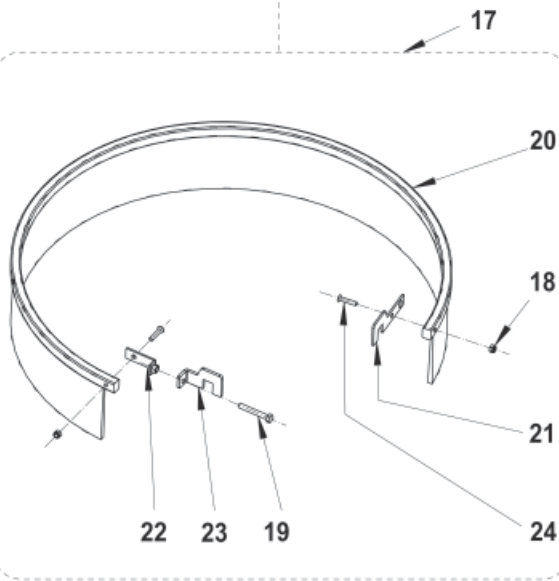
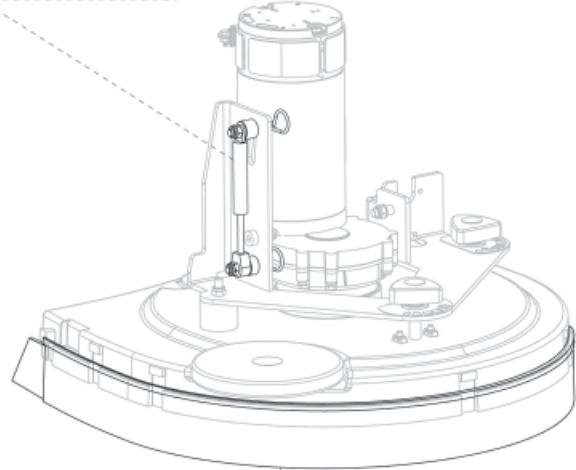
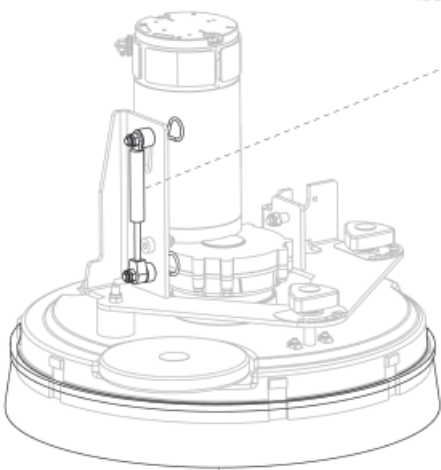
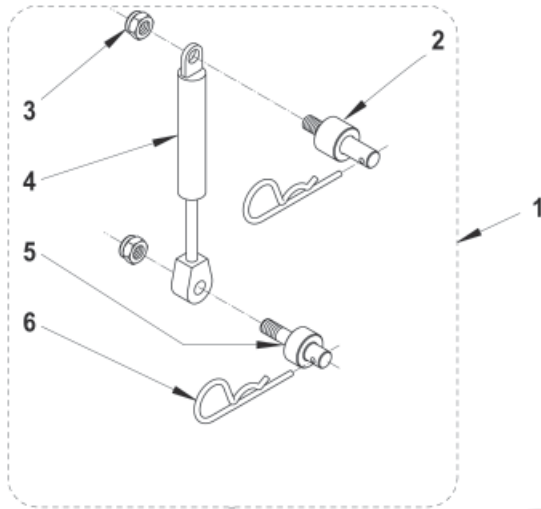


Pos Item Bild Rép	Codice Ref. No. Art. Nr. Réf. No	Q.tà Qty Menge Qté	Descrizione	Description	Beschreibung	Désignation
1	145 8046 000	1	PORTAFUSIBILE LAMEL- LARE	FUSE CARRIER	SICHERUNGSHALTER	SUPPORT DU FUSIBLE
2	909 6498 000	1	SUPPORTO COMP. ELET- TRICI	SUPPORT	HALTERUNG	SUPPORT
3	909 6676 000	2	DISTANZIALE M4 L=25	SPACER M4 L=25	ABSTANDSTUECK	ENTRETOISE
4	33005499	4	DADO	NUT HEX M3	MUTTER	ECROU
5	08812801	2	DISTANZIALE	SPACER	ABSTANDSTUECK	ENTRETOISE
6	08812964	4	VITE TE M3X10	SCREW HEX HD M3X10	SCHRAUBE	VIS
7	08812986	4	RONDELLA E. SPACCATA 3 INOX	WASHER SPLIT 3 SS	BEILAGSCHEIBE	RONDELLE
8	145 8513 000	2	FUSIBILE 30A	FUSE 30A	SICHERUNG 30A	FUSIBLE 30A
9	145 1261 000	2	RONDELLA	WASHER	BEILAGSCHEIBE	RONDELLE
10	145 1449 000	3	FASCETTA	CLAMP	SHELLE	COLLIER
11	33003947	2	VITE TE M4X10	SCREW HEX HD M4X10	SCHRAUBE	VIS
12	33005838	2	RONDELLA E. SPACCATA 4	WASHER SPLIT 4	BEILAGSCHEIBE	RONDELLE
13	33005839	2	RONDELLA E. SPACCATA 5	WASHER	BEILAGSCHEIBE	RONDELLE
14B	145 6132 000	3	INSERTO M5	INSERT M5	ABSTANDROHR	INSERT
15	145 5743 000	7	DADO E. BASSO AUTO- BLOCCANTE M4	NUT	MUTTER	ECROU
16	145 3824 000	1	FUSIBILE 40A NASTRO	STRIP FUSE 40A	SICHERUNG 40A	FUSIBLE 40A
17	33003960	2	VITE TE M5X12	SCREW HEX. HD M5X12	SCHRAUBE	VIS
18	145 9237 000	1	RONDELLA PIANA 4X12	WASHER FLAT 4X12	BEILAGSCHEIBE	RONDELLE
19	33003947	3	VITE TE M4X10	SCREW HEX HD M4X10	SCHRAUBE	VIS
20	146 0622 000	1	GRANO	DOWEL	STIFT	GOUPILLE
21	146 0660 000	2	PORTAFUSIBILE LAMEL- LARE	BLADE FUSE HOLDER	SICHERUNGSHALTER	SUPPORT FUSIBLE
22	909 5127 000	1	TELERUTTORE DOPPIO 24V	ELECTROMAGNETIC SWITCH24V	SCHALTER	TELERUPTEUR
23	909 6500 000	1	SCHEDA ELETTRONICA TRAZ.	ELECTRONIC CARD, TRACTION	ELEKTRONISCHE KARTE	CARTE ELECTRONIQUE
24	909 6622 000	1	RELE' 24V 40A	RELAY 24V 40A	RELAIS 24V 40A	RELAIS 24V 40A
25	909 6617 000	1	CABLAGGIO VANO COMP. ELETTR.	HARNESS ELECTRIC BOX	KABELVERBINDUNG	CABLAGE
26B	33005839	3	RONDELLA E. SPACCATA 5	WASHER	BEILAGSCHEIBE	RONDELLE
27B	145 1261 000	3	RONDELLA	WASHER	BEILAGSCHEIBE	RONDELLE
28B	909 6541 000	1	CARICABATERIA 24V 13A 230V	BATTERY CHARGER 24V 13A	CHARGER	CHARGEUR DE BATTERIE
29B	909 5633 000	1	PROLUNGA CAVO CARICA BATTERIA	CABLE EXTENTION	KABELVERLAENGERUNG	CABLE EXTENTION
29B	909 5676 000	1	PROLUNGA CAVO CARICA BATTERIA UK	CABLE EXTENTION UK	KABELVERLAENGERUNG UK	CABLE EXTENTION UK
29B	909 5783 000	1	PROLUNGA CAVO CARICA BATTERIA J	CABLE EXTENTION J	KABELVERLAENGERUNG J	CABLE EXTENTION J
30B	909 6337 000	3	VITE TCTC M5X12	SCREW CYL HD M5X12	SCHRAUBE	VIS
31B	909 5313 000	1	OBLÒ DI ISPEZIONE	INSPECTION PLATE	INSPIZIERUNGSPLATTE	FENETRE D'INSPECTION
0	909 6839 000	1	CABLAGGIO MACCHINA	MACHINE HARNESS	MACHINE KABELVERBIN- DUNG	CABLAGE MACHINE
0	909 6840 000	1	CABLAGGIO ASPIRATORE	HARNESS VACUUM CLEA- NER	KABELVERBINDUNG	CABLAGE
0	909 6618 000	1	CABLAGGIO BATTERIA	BATTERY HARNESS	BATTERIE KABELVERBIN- DUNG	CABLAGE BATTERIE
0 A	146 1986 000	1	CONNETTORE 120A	CONNECTOR 120A	STECKER	PRISE

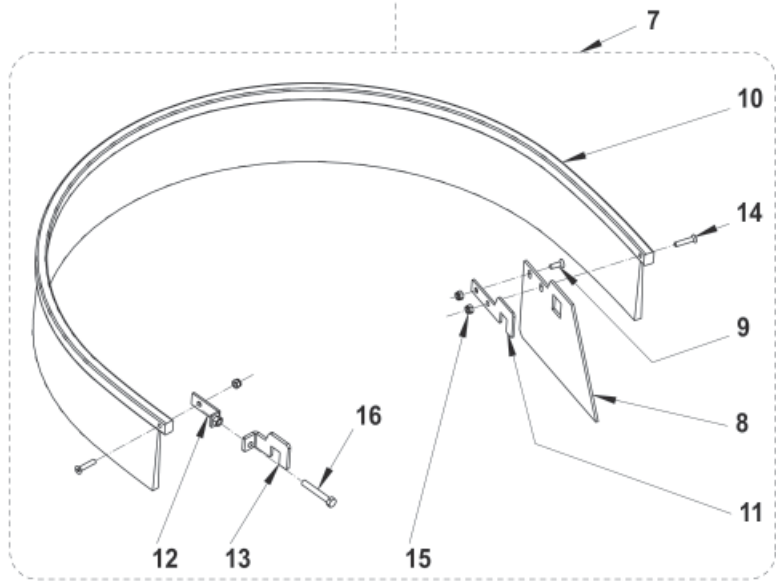
A : ONLY VERSION WITHOUT BATTERY CHARGER ON BOARD

B : ONLY VERSION WITH BATTERY CHARGER ON BOARD

**KIT EXTRA PRESSIONE - EXTRA PRESSURE KIT  
( BA 451 / BA 531 )**



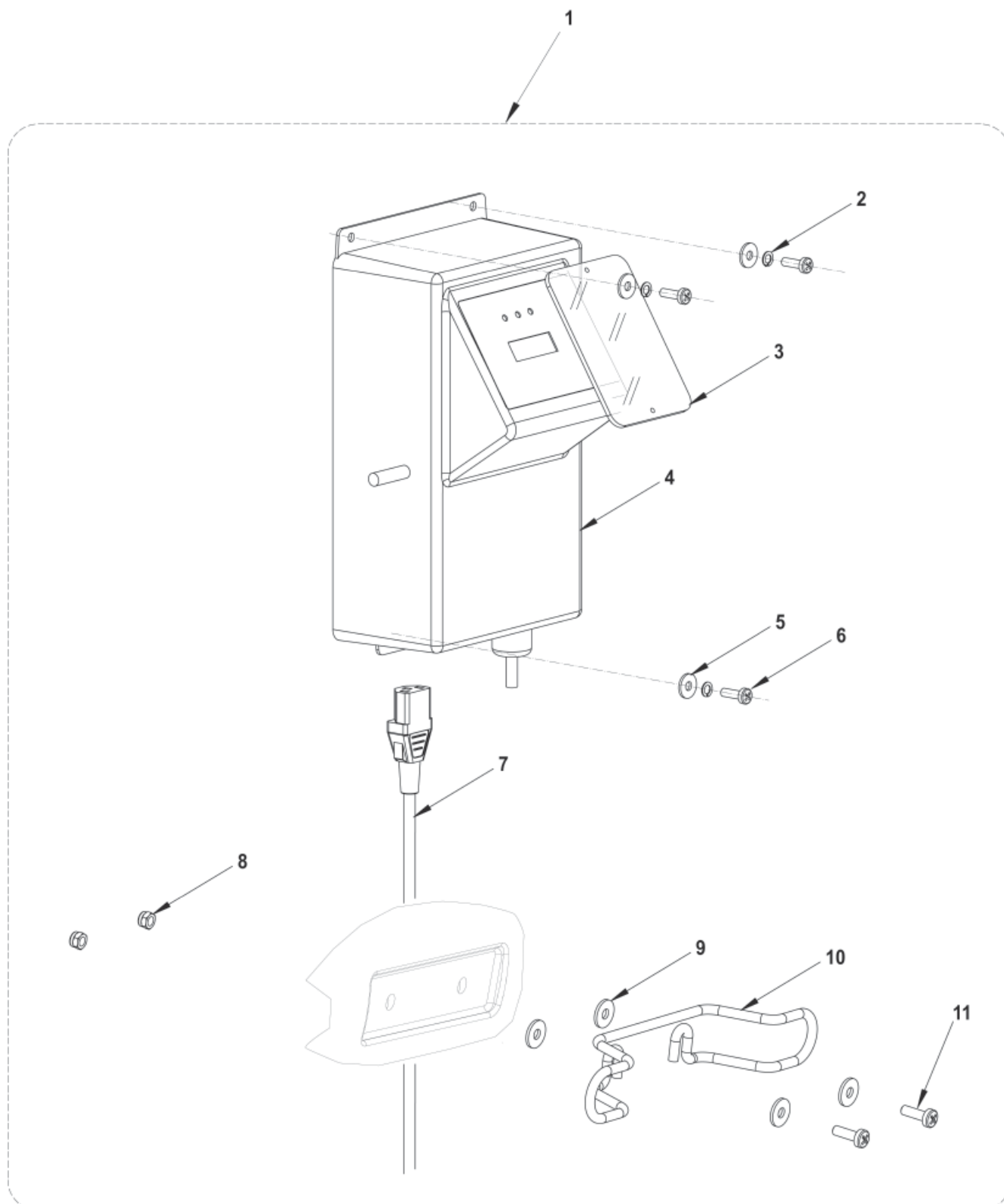
**KIT PARASPRUZZI 17"  
SPLASH GUARD 17" KIT  
( BA 451 / BA 451 D )**



**KIT PARASPRUZZI 20"  
SPLASH GUARD 20" KIT  
( BA 531 / BA 531 D )**

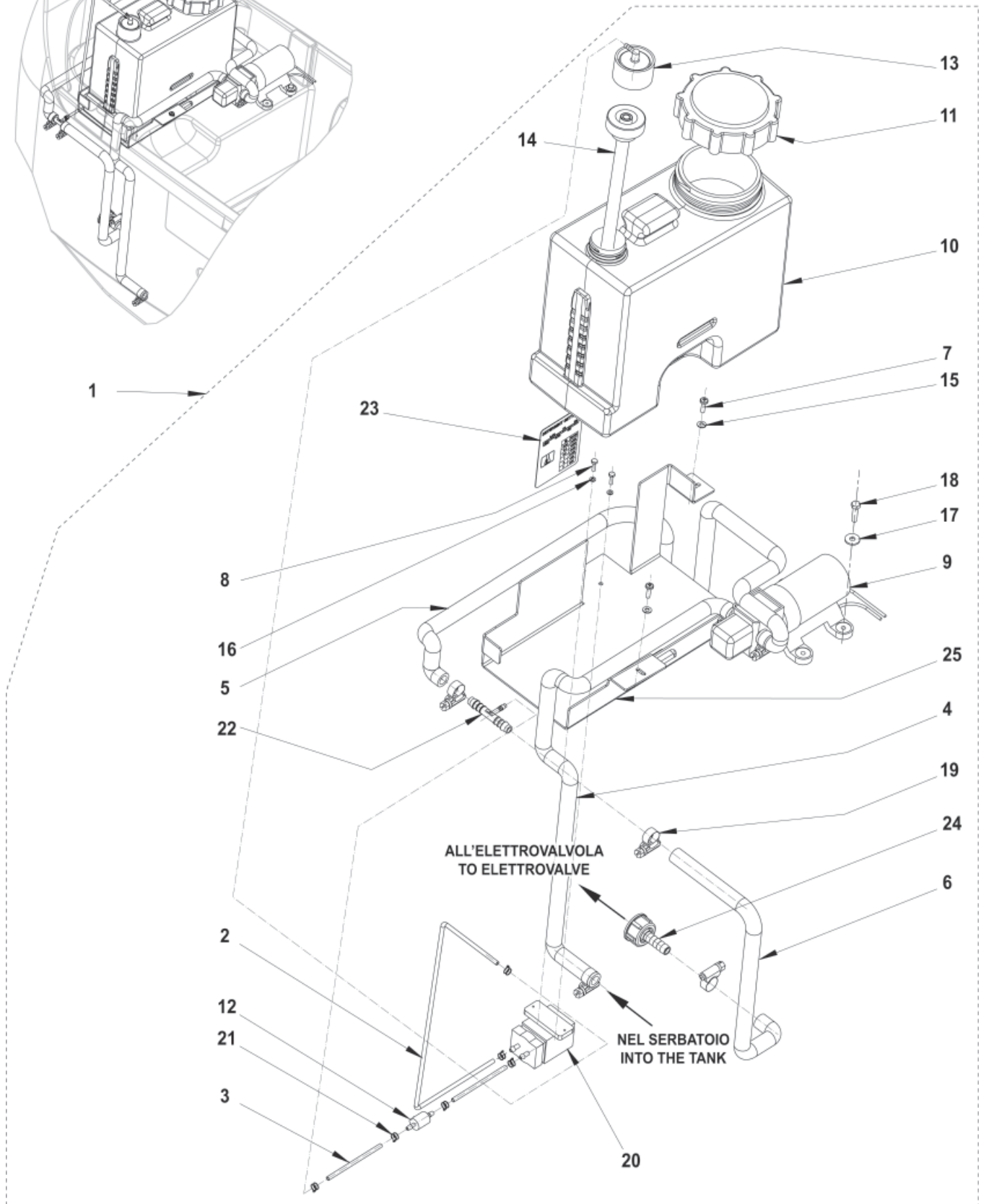
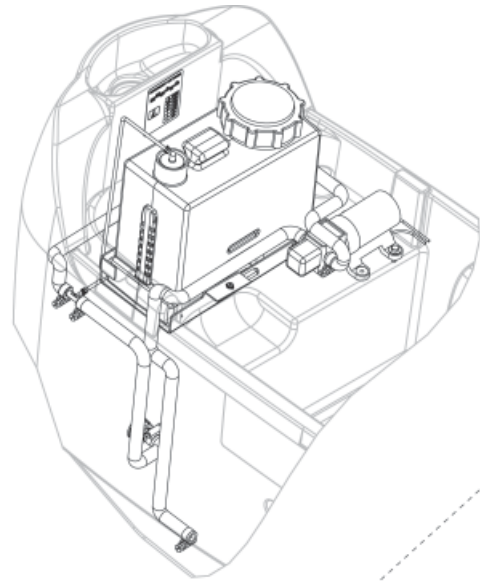
Pos Item Bild Rép	Codice Ref. No. Art. Nr. Réf. No	Q.tà Qty Menge Qté	Descrizione	Description	Beschreibung	Désignation
1	909 6738 000	1	KIT EXTRA PRESSIONE	EXTRA PRESSURE KIT	ZUSATZDRUCK-SATZ	KIT EXTRA-PRESSION
0	xxx xxxx xxx	1	ISTRUZIONI DI MONTAGGIO KIT EXTRA PRESSIONE	INSTALLATION INSTRUCTIONS FOR EXTRA PRESSURE KIT	MONTAGE ANGABEN FUR ZUSATZDRUCK-SATZ	INSTRUCTION POUR LE MONTAGE DU KIT EXTRA- PRESSION
2	xxx xxxx xxx	1	PERNO SUPERIORE MOLLA GAS	PIN	ZAPFEN	TIGE
3	xxxxxxxxx	2	DADO E. AUTOBLOCCANTE M8	NUT SELFLOCKING M8	MUTTER	ECROU
4	xxx xxxx xxx	1	MOLLA A GAS	GAS SPRING	FEDER	RESSORT
5	xxx xxxx xxx	1	PERNO INFERIORE MOLLA GAS	PIN	ZAPFEN	TIGE
6	xxx xxxx xxx	2	COPIGLIA 3	SPLIT PIN 3	SPLINT	GOUPILLE
0	xxx xxxx xxx	1	POMELLO LEVA	KNOB	KUEGELGRIFF	BOULE
0	xxxxxxxxx	1	VITE TE M10X30	SCREW HEX HD M10X30	SCHRAUBE	VIS
7	909 6736 000	1	KIT PARASPRUZZI 20"	SPLASH GUARD 20" KIT	SCHUTZSPRIZGUMMI-SATZ	KIT BAVETTE GUARD BOUE
0	xxx xxxx xxx	1	ISTRUZIONI DI MONTAGGIO KIT PARASPRUZZI	INSTALLATION INSTRUCTIONS FOR SPLASH GUARD KIT	MONTAGE ANGABEN FUR SCHUTZSPRIZGUMMI-SATZ	INSTRUCTION POUR LE MONTAGE DU KIT BAVETTE GUARD BOUE
8	xxx xxxx xxx	1	GOMMA PARASPRUZZI	RUBBER SPLASH GUARD	SCHUTZSPRIZGUMMI	GOMME GUARD BOUE
9	xxxxxxxxx	1	VITE TSPEI M4X12	SCREW M4X12	SCHRAUBE	VIS
10	xxx xxxx xxx	1	PARASPRUZZI	SPLASH GUARD	SCHUTZSPRIZGUMMI	BAVETTE GUARD BOUE
11	xxx xxxx xxx	1	PIASTRINA FISSAGGIO PARASPRUZZI	BRACKET FIXING SPLASH GUARD	FIXIERUNGSPLATTE	PLAQUE DE FIXATION
12	xxx xxxx xxx	1	PIASTRINA FISSAGGIO PARASPRUZZI	BRACKET FIXING SPLASH GUARD	FIXIERUNGSPLATTE	PLAQUE DE FIXATION
13	xxx xxxx xxx	1	PIASTRINA FISSAGGIO PARASPRUZZI	BRACKET FIXING SPLASH GUARD	FIXIERUNGSPLATTE	PLAQUE DE FIXATION
14	xxxxxxxxx	2	VITE TSPTC M4X20	SCREW M4X20	SCHRAUBE	VIS
15	xxx xxxx xxx	3	DADO	NUT	MUTTER	ECROU
16	xxx xxxx xxx	1	VITE TE INTERA M5X35	SCREW HEX HD M5X35	SCHRAUBE	VIS
17	909 6737 000	1	KIT PARASPRUZZI 17"	SPLASH GUARD 17" KIT	SCHUTZSPRIZGUMMI-SATZ	KIT BAVETTE GUARD BOUE
0	xxx xxxx xxx	1	ISTRUZIONI DI MONTAGGIO KIT PARASPRUZZI	INSTALLATION INSTRUCTIONS FOR SPLASH GUARD KIT	MONTAGE ANGABEN FUR SCHUTZSPRIZGUMMI-SATZ	INSTRUCTION POUR LE MONTAGE DU KIT BAVETTE GUARD BOUE
18	xxx xxxx xxx	2	DADO	NUT	MUTTER	ECROU
19	xxx xxxx xxx	1	VITE TE INTERA M5X35	SCREW HEX HD M5X35	SCHRAUBE	VIS
20	xxx xxxx xxx	1	PARASPRUZZI	SPLASH GUARD	SCHUTZSPRIZGUMMI	BAVETTE GUARD BOUE
21	xxx xxxx xxx	1	PIASTRINA FISSAGGIO PARASPRUZZI	BRACKET FIXING SPLASH GUARD	FIXIERUNGSPLATTE	PLAQUE DE FIXATION
22	xxx xxxx xxx	1	PIASTRINA FISSAGGIO PARASPRUZZI	BRACKET FIXING SPLASH GUARD	FIXIERUNGSPLATTE	PLAQUE DE FIXATION
23	xxx xxxx xxx	1	PIASTRINA FISSAGGIO PARASPRUZZI	BRACKET FIXING SPLASH GUARD	FIXIERUNGSPLATTE	PLAQUE DE FIXATION
24	xxxxxxxxx	2	VITE TSPTC M4X20	SCREW M4X20	SCHRAUBE	VIS

KIT CARICABATTERIA - BATTERY CHARGER KIT

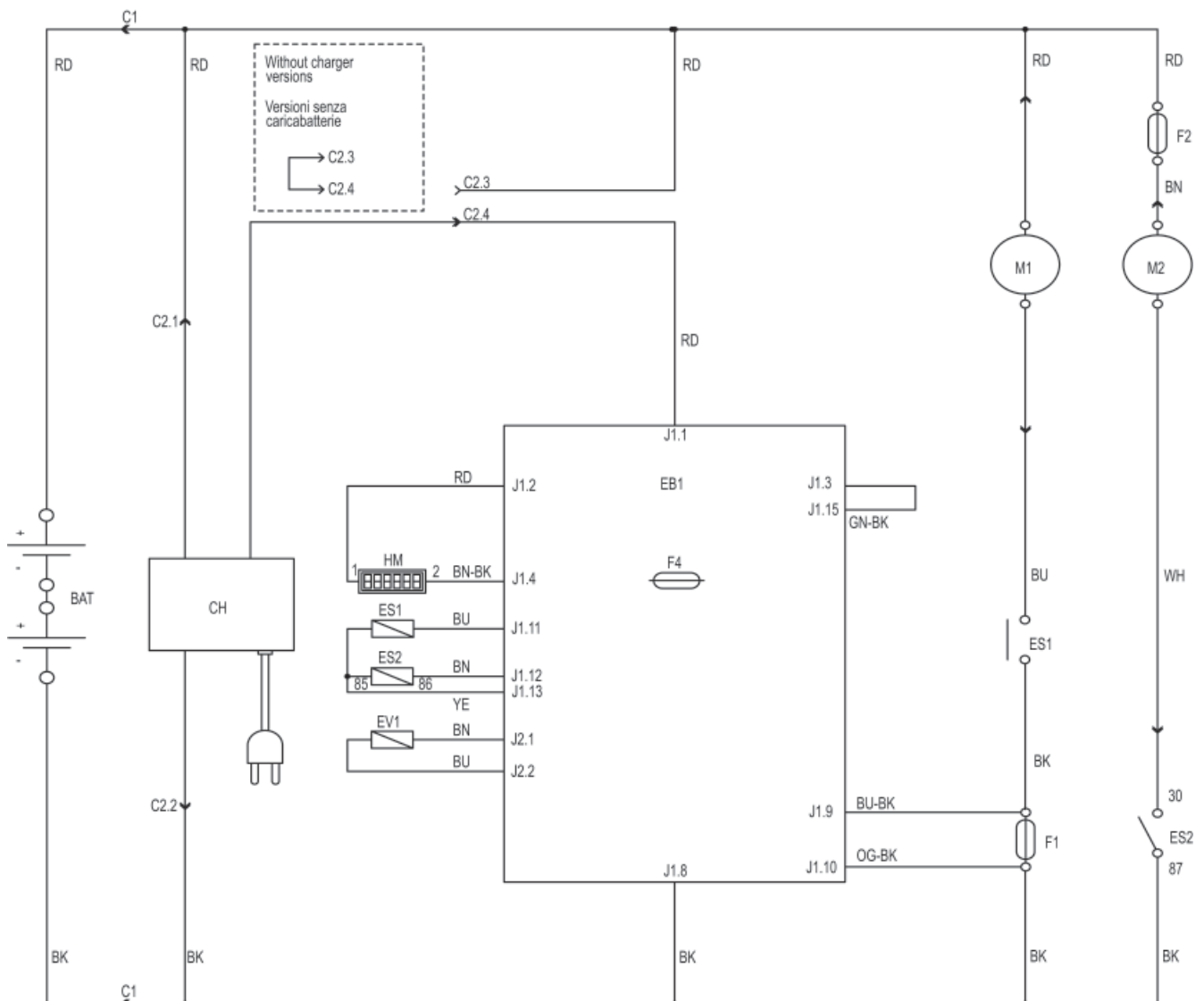


Pos Item Bild Rép	Codice Ref. No. Art. Nr. Réf. No	Q.tà Qty Menge Qté	Descrizione	Description	Beschreibung	Désignation
1	909 6739 000	1	KIT CARICABATTERIA	BATTERY CHARGER KIT	BATTERIE LADEGERAETE SATZ	CHARGEUR DE BATTERIE KIT
0	xxx xxxx xxx	1	ISTRUZIONI DI MONTAGGIO KIT CARICABATTERIA	INSTALLATION INSTRUCTIONS FOR BATTERY CHARGER KIT	MONTAGE ANGABEN FUR BATTERIE LADEGERAETE SATZ	INSTRUCTION POUR LE MONTAGE DU CHARGEUR KIT
2	xxxxxxxx	3	RONDELLA E. SPACCATA 5	WASHER	BEILAGSCHEIBE	RONDELLE
3	xxx xxxx xxx	1	OBLÒ DI ISPEZIONE	INSPECTION PLATE	INSPIZIERUNGSPLATTE	FENETRE D'INSPECTION
4	xxx xxxx xxx	1	CARICABATERIA 24V 13A 230V	BATTERY CHARGER 24V 13A	CHARGER	CHARGEUR DE BATTERIE
5	xxx xxxx xxx	3	RONDELLA	WASHER	BEILAGSCHEIBE	RONDELLE
6	xxx xxxx xxx	3	VITE TCTC M5X12	SCREW CYL HD M5X12	SCHRAUBE	VIS
7	xxx xxxx xxx	1	PROLUNGA CAVO CARICA BATTERIA	CABLE EXTENTION	KABELVERLAENGERUNG	CABLE EXTENTION
7	xxx xxxx xxx	1	PROLUNGA CAVO CARICA BATTERIA UK	CABLE EXTENTION UK	KABELVERLAENGERUNG UK	CABLE EXTENTION UK
7	xxx xxxx xxx	1	PROLUNGA CAVO CARICA BATTERIA J	CABLE EXTENTION J	KABELVERLAENGERUNG J	CABLE EXTENTION J
8	xxxxxxxx	2	DADO E. AUTOBLOCCANTE M5	NUT HEX SELF LOCK M5	MUTTER	ECROU
9	xxx xxxx xxx	4	RONDELLA	WASHER	BEILAGSCHEIBE	RONDELLE
10	xxx xxxx xxx	1	SUPPORTO CAVO CARICA- BATTERIE	SUPPORT BATTERY CHAR- GER CABLE	HALTER	SUPPORT
11	xxx xxxx xxx	2	VITE TCTC M5X16	SCREW CYL HD M5X16	SCHRAUBE	VIS

ECO DOSAGE SYSTEM



Pos Item Bild Rép	Codice Ref. No. Art. Nr. Réf. No	Q.tà Qty Menge Qté	Descrizione	Description	Beschreibung	Désignation
1	909 6743 000	1	KIT ECO DOSAGE SYSTEM EDS	EDS ECO DOSAGE SYSTEM KIT	ECO DOSAGE SYSTEM EDS SATZ	KIT ECO DOSAGE SYSTEM EDS
0	xxx xxxx xxx	1	ISTRUZIONI DI MONTAGGIO KIT EDS	INSTALLATION INSTRU- CTIONS FOR EDS KIT	MONTAGE ANGABEN FUR EDS SATZ	INSTRUCTION POUR LE MONTAGE DU KIT EDS
2	xxx xxxx xxx	1	TUBO L=350	HOSE L=150	SCHLAUCH L=150	TUYAU L=150
3	xxx xxxx xxx	1	TUBO L=75	HOSE L=330	SCHLAUCH L=330	TUYAU L=330
4	xxx xxxx xxx	1	TUBO L=550	HOSE L=80	SCHLAUCH L=80	TUYAU L=80
5	xxx xxxx xxx	1	TUBO L=800	HOSE L=350	SCHLAUCH L=350	TUYAU L=350
6	xxx xxxx xxx	1	TUBO L=360	HOSE L=80	SCHLAUCH L=80	TUYAU L=80
0	909 6806 000	1	KIT TUBI SOLUZIONE DETERGENTE (2,3,4,5,6,7,8)	HOSE CHEMICAL MIX KIT (2,3,4,5,6,7,8)	ZUSATZ SCHLAUCH REINIGUNGSMITTEL (2,3,4,5,6,7,8)	KIT TUYAU DÉTERGENT (2,3,4,5,6,7,8)
7	xxxxxxxx	3	VITE TCTC 4X14 AUTOFI- LETTANTE	SCREW CYL. HD 4X14 THD	SCHRAUBE	VIS
8	xxxxxxxx	2	VITE TE M3X12 INOX	SCREW HEX HD M3X12 SS	SCHRAUBE	VIS
9	56315108	1	POMPA FLOJET LF	PUMP	PUMPE	POMPE
10	56315502	1	CONTENITORE DETER- GENTE	CHEMICAL BOX	BEHAELTER REINIGUNG- SMITTEL	CONTENEUR DÉTERGENT
11	56315517	1	TAPPO	CAP	PFROPFEN	BOUCHON
12	56315522	1	VALVOLA UNIDIREZIONALE	VALVE NON RETURN	RUECKSCHAUTSCHRAUBE	VANNE DE NON-RETOUR
13	56315523	1	TAPPO	CAP	PFROPFEN	BOUCHON
14	56315527	1	TUBO DI PESCAGGIO	DRY BREAK	SCHLAUCH	TUYAU DE PRISE DE DÉTERGENT
15	xxx xxxx xxx	3	RONDELLA PIANA 4X9 INOX	WASHER FLAT 4X9 SS	BEILAGSCHEIBE	RONDELLE
16	xxx xxxx xxx	2	RONDELLA DENTATA D3 INOX	WASHER SS	BEILAGSCHEIBE	RONDELLE
17	xxx xxxx xxx	2	RONDELLA	WASHER	BEILAGSCHEIBE	RONDELLE
18	xxxxxxxx	2	VITE TE M5X20	SCREW HEX. HD M5X20	SCHRAUBE	VIS
19	xxx xxxx xxx	6	FASCETTA	CLAMP	SHELLE	COLLIER
20	909 6183 000	1	POMPA PRODOTTO CHIMICO	PUMP	PUMPE	POMPE
21	xxx xxxx xxx	6	FASCETTA	CLAMP	SHELLE	COLLIER
22	909 6536 000	1	RACCORDO A T 8-4-8	FITTING	ANSCHLUß	RACCORD
23	xxx xxxx xxx	1	ADESIVO REGOLAZIONE CHINICO	CHEMICAL REGULATION ADHESIVE	AUFKLEEBER	ADHESIF
24	909 6636 000	1	PORTAGOMMA	RUBBER HOLDER	GUMMIHALTER	SUPPORT
25	xxx xxxx xxx	1	SUPPORTO VASCHETTA DETERGENTE	BRACKET CHEMICAL MIXING	HALTER	SUPPORT
0	xxx xxxx xxx	1	ADESIVO BA 451 D EDS	DECAL BA 451 D EDS	AUFKLEEBER BA 451 D EDS	ADHESIF BA 451 D EDS
0	xxx xxxx xxx	1	ADESIVO BA 531 D EDS	DECAL BA 531 D EDS	AUFKLEEBER BA 531 D EDS	ADHESIF BA 531 D EDS
0	xxx xxxx xxx	1	CABLAGGIO EDS	EDS HARNESS	EDS KABELVERBINDUNG	CABLAGE EDS



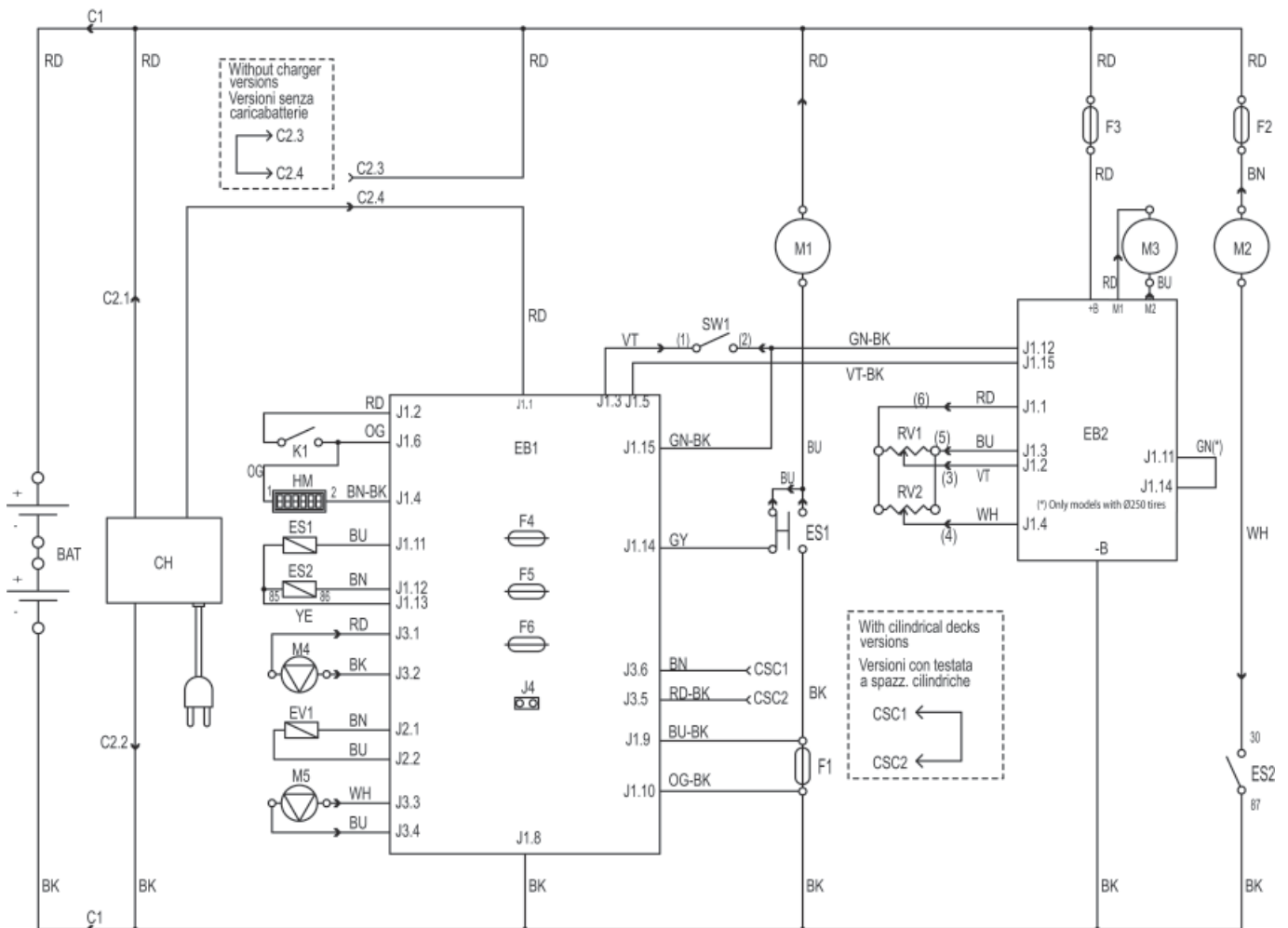
WIRING DIAGRAM  
BA 451 - BA 531

Rev. A

909 6530 000

COMPONENTS / COMPONENTI		
BAT	24V BATTERIES	BATTERIE 24V
C1	BATTERY CONNECTOR	CONNETTORE BATTERIE
C2	CHARGER CONNECTOR	CONNETTORE CARICABATTERIE
CH	BATTERY CHARGER (OPT)	CARICABATTERIE (OPT)
CS	BRUSH DECK CONNECTOR	CONNETTORE TESTATA SPAZZOLE
EB1	CONTROL PANEL BOARD	SCHEDA ELETTRONICA CONTROLLO FUNZIONI
ES1	BRUSH MOTOR ELECTROM. SWITCH	TELERUTTATORE MOTORI SPAZZOLE
ES2	VACUUM MOTOR ELECTROM. SWITCH	RELE' ASPIRATORE
EV1	WATER ELECTROVALVE	ELETTROVALVOLA ACQUA
F1	BRUSH DECK FUSE	FUSIBILE TESTATA SPAZZOLE
F2	VACUUM MOTOR FUSE	FUSIBILE ASPIRATORE
F4	LOW POWER CIRCUIT FUSE	FUSIBILE CIRCUITI DI SEGNALE
HM	HOURMETER (OPT)	CONTAORE (OPT)
M1	BRUSH MOTOR	MOTORE SPAZZOLA
M2	VACUUM MOTOR	MOTORE ASPIRATORE





## WIRING DIAGRAM - BA 451 D / BA 531 D

Rev. A

909 6529 000


## COMPONENTS / COMPONENTI

COMPONENT	DESCRIPTION	DESCRIPTION	COMPONENT	DESCRIPTION	DESCRIPTION
BAT	24V BATTERIES	BATTERIE 24V	K1	KEY SWITCH	CHIAVE
C1	BATTERY CONNECTOR	CONNETTORE BATTERIE	M1	BRUSH MOTOR	MOTORE SPAZZOLA
C2	CHARGER CONNECTOR	CONNETTORE CARICABATTERIE	M2	VACUUM MOTOR	MOTORE ASPIRATORE
CH	BATTERY CHARGER (OPT)	CARICABATTERIE (OPT)	M3	DRIVE MOTOR	MOTORE TRAZIONE
CSC	CILINDRICAL DECK SECONDARY CONNECTOR	CONN. SECONDARIO TESTATA SPAZZ. CILINDRICHE	M4	WATER PUMP (OPT)	POMPA ACQUA (OPT)
EB1	CONTROL PANEL BOARD	SCHEDA ELETTRONICA CONTROLLO FUNZIONI	M5	DETERGENT PUMP (OPT)	POMPA DETERGENTE (OPT)
EB2	DRIVE ELECTRONIC BOARD	SCHEDA ELETTRONICA TRAZIONE	RV1	SPEED POTENTIOMETER	POTENZIOMETRO VELOCITA'
ES1	BRUSH MOTOR ELECTROM. SWITCH	TELERUTTORE MOTORI SPAZZOLE	RV2	MAX SPEED POTENTIOMETER	POTENZIOMETRO VELOCITA' MASSIMA
ES2	VACUUM MOTOR ELECTROM. SWITCH	RELE' ASPIRATORE	SW1	BRUSHES / DRIVE MICROSWITCH	MICROINTERR. CONSENSO SPAZZOLE/TRAZIONE
EV1	ELECTROVALVE	ELETTROVALVOLA			
F1	BRUSH DECK FUSE	FUSIBILE TESTATA SPAZZOLE			
F2	VACUUM MOTOR FUSE	FUSIBILE ASPIRATORE			
F3	DRIVE SYSTEM FUSE	FUSIBILE SISTEMA DI TRAZIONE			
F4	LOW POWER CIRCUIT FUSE	FUSIBILE CIRCUITI DI SEGNALE			
F5	BRUSH RELEASE FUSE	FUSIBILE SGANCIO SPAZZOLE			
F6	PUMP FUSE	FUSIBILE POMPE			
HM	HOURMETER (OPT)	CONTAORE (OPT)			

BOOK E			RICAMBI CONSIGLIATI / RECOMMENDED SPARE PARTS	2006-08
E	18.3.1	56	BA 451 / BA 531 / BA 451 D / BA 531 D	

BA 451 Ref. No.	BA 451 D Ref. No.	BA 531 Ref. No.	BA 531 D Ref. No.	Qty	Description
<b>SOLUTION TANK</b>					
909 6650 000	909 6650 000	909 6650 000	909 6650 000	1	SPONGE INLET FRESH WATER
909 6634 000	909 6634 000	909 6634 000	909 6634 000	1	STOP TANK CABLE
909 6681 000	909 6681 000	909 6681 000	909 6681 000	1	SOLUTION HOSE
08812457	08812457	08812457	08812457	1	CAP
909 6662 000	909 6662 000	909 6662 000	909 6662 000	1	SQUEEGEE LIFT CABLE
909 6874 000	909 6874 000	909 6874 000	909 6874 000	1	TANK CABLE KIT
909 6875 000	909 6875 000	909 6875 000	909 6875 000	1	SOLUTION TANK HARDWARE KIT
<b>VACUUM / RECOVERY SYSTEM</b>					
909 6230 000	909 6230 000	909 6230 000	909 6230 000	1	SQUEEGEE HOSE
909 6528 000	909 6528 000	909 6528 000	909 6528 000	1	DRAIN HOSE
08812259	08812259	08812259	08812259	1	CAGE, FLOAT
08812373	08812373	08812373	08812373	1	BALL FLOAT
08812968	08812968	08812968	08812968	1	GASKET
145 0543 000	145 0543 000	145 0543 000	145 0543 000	2	HOSE CLAMP
909 6640 000	909 6640 000	909 6640 000	909 6640 000	1	ANTI SPLASH SQUEEGEE HOSE
909 6734 000	909 6734 000	909 6734 000	909 6734 000	1	RUBBER BAND KIT
909 6876 000	909 6876 000	909 6876 000	909 6876 000	1	RECOVERY TANK HARDWARE KIT
909 6877 000	909 6877 000	909 6877 000	909 6877 000	1	VACUUM MOTOR HARDWARE KIT
<b>CHASSIS SYSTEM</b>					
	909 6519 000		909 6519 000	2	CASTOR WHEEL SS
909 6603 000		909 6603 000		2	CASTOR WHEEL
33004387	33004387	33004387	33004387	2	SCREW TCEI M10X25
145 4518 000	145 4518 000	145 4518 000	145 4518 000	2	NUT M10
909 6878 000	909 6878 000	909 6878 000	909 6878 000	1	CHASSIS SYSTEM HARDWARE KIT
909 6897 000	909 6897 000	909 6897 000	909 6897 000	1	WHELL REVOLVING SS KIT
909 6898 000	909 6898 000	909 6898 000	909 6898 000	1	WHELL REVOLVING KIT
<b>DRIVE WHEEL SYSTEM</b>					
	909 5078 000		909 5078 000	2	DRIVE WHEEL DIAM 250 MM WITH TRACTION
	909 6548 000		909 6548 000	1	MOTOR, TRACTION 24V 200W
909 6507 000		909 6507 000		2	DRIVE WHEEL WITHOUT TRACTION
	145 5124 000		145 5124 000	1	CARBON BRUSHES WH 1 MOTOR, TRACTION (2 PCS)
<b>HANDLE BAR</b>					
	08812343		08812343	2	SPRING
	08812337		08812337	4	DRIVE CONTROL BUSHING
	08812282		08812282	2	MICROSWITCH HANDLE CAM
	909 6881 000		909 6881 000	1	HANDLE ASSEMBLY HARDWARE KIT
<b>SOLUTION SYSTEM</b>					
909 5895 000	909 5895 000	909 5895 000	909 5895 000	1	ELBOW 90° D10
909 6674 000	909 6674 000	909 6674 000	909 6674 000	1	PLASTIC VALVE
909 5151 000	909 5151 000	909 5151 000	909 5151 000	1	KIT, FILTER
909 6896 000	909 6896 000	909 6896 000	909 6896 000	1	HOSE KIT
909 6555 000	909 6555 000	909 6555 000	909 6555 000	1	ELECTROVALVE
909 6636 000	909 6636 000	909 6636 000	909 6636 000	1	BARB L=105
909 6637 000	909 6637 000	909 6637 000	909 6637 000	1	BARB L=115

2006-08	<b>RICAMBI CONSIGLIATI / RECOMMENDED SPARE PARTS</b>	<b>BOOK E</b>		
	<b>BA 451 / BA 531 / BA 451 D / BA 531 D</b>	<b>E</b>	<b>18.3.1</b>	<b>57</b>

BA 451 Ref. No.	BA 451 D Ref. No.	BA 531 Ref. No.	BA 531 D Ref. No.	Qty	Description
<b>SQUEEGEE SYSTEM</b>					
909 6505 000	909 6505 000	909 6505 000	909 6505 000	2	WHEEL 60X20 WITH BUSH
909 6056 000	909 6056 000	909 6056 000	909 6056 000	1	RIGHT REAR STRAP
909 6055 000	909 6055 000	909 6055 000	909 6055 000	2	FRONT STRAP
909 6054 000	909 6054 000	909 6054 000	909 6054 000	1	LEFT REAR STRAP
909 6044 000	909 6044 000	909 6044 000	909 6044 000	1	SQUEEGEE HOSE
909 6551 000	909 6551 000	909 6551 000	909 6551 000	1	KNOB 8X30 SS
909 6484 000	909 6484 000	909 6484 000	909 6484 000	1	REAR BLADE SQUEEGEE
909 6483 000	909 6483 000	909 6483 000	909 6483 000	1	FRONT BLADE SQUEEGEE
909 6851 000	909 6851 000	909 6851 000	909 6851 000	1	SQUEEGEE KIT
909 6882 000	909 6882 000	909 6882 000	909 6882 000	1	FIXING SQUEEGEE KIT
909 6883 000	909 6883 000	909 6883 000	909 6883 000	1	KIT, SQUEEGEE WHEEL
909 6884 000	909 6884 000	909 6884 000	909 6884 000	1	KIT, SQUEEGEE BUMPER ROLLER
909 6394 000	909 6394 000	909 6394 000	909 6394 000	1	KIT, LATCH FOR SQUEEGEE
909 6885 000	909 6885 000	909 6885 000	909 6885 000	1	SQUEEGEE SUPPORT HARDWARE KIT
<b>DISC SCRUB DECK</b>					
909 6043 000	909 6043 000			1	BRUSH DECK 45 CM
		909 6042 000	909 6042 000	1	BRUSH DECK 53 CM
909 6546 000	909 6546 000	909 6546 000	909 6546 000	1	BRUSH MOTOR 480W 24V 135 RPM
08812204	08812204	08812204	08812204	1	BUMPER ROLLER
08812203	08812203	08812203	08812203	2	KNOB
08812306	08812306	08812306	08812306	1	BRUSH HUB
08603219	08603219	08603219	08603219	1	SCREW TE M8X30 INOX
08601624	08601624	08601624	08601624	1	FITTING 1/4
08219000	08219000	08219000	08219000	1	SHOCK ABSORBER
	145 8564 000		145 8564 000	2	SPLIT PIN
	909 6514 000		909 6514 000	1	GAS SPRING (EXTRA PRESSURE)
08812589	08812589	08812589	08812589	1	HOLDERPOLIG. W/FLAGE KIT
909 6887 000	909 6887 000	909 6887 000	909 6887 000	1	BUMPER ROLLER KIT
909 6888 000	909 6888 000	909 6888 000	909 6888 000	1	BRUSH SYSTEM HARDWARE KIT
<b>COVER PANEL</b>					
08812967	08812967	08812967	08812967	1	CLAMP, HOSE D.50
909 6552 000		909 6552 000		1	PCB FUNCTIONS 24V NO TRACTION
909 6099 000		909 6099 000		1	CONTROL PANEL DECAL BATTERY
	146 2888 000		146 2888 000	1	ON/OFF KEY SWITCH WATERPROOF
	909 6499 000		909 6499 000	1	PCB FUNCTIONS 24V WITH TRACTION
	909 6057 000		909 6057 000	1	CONTROL PANEL DECAL BATTERY WITH TRACTION
<b>ELECTRICAL SYSTEM</b>					
	909 6500 000		909 6500 000	1	 DRIVE BOARD
	909 6677 000		909 6677 000	1	PADDLE MICROSWITCH
146 1986 000	146 1986 000	146 1986 000	146 1986 000	1	CONNECTOR BATTERY
	909 5127 000		909 5127 000	1	BRUSH MOTOR CONTACTOR
909 6622 000	909 6622 000	909 6622 000	909 6622 000	1	VACUUM CONTACTOR
145 3824 000	145 3824 000	145 3824 000	145 3824 000	1	FUSE BRUSH MOTOR
145 8513 000	145 8513 000	145 8513 000	145 8513 000	1	FUSE VACUUM MOTOR 30A
	145 8513 000		145 8513 000	1	FUSE DRIVE MOTOR 30A
145 8368 000	145 8368 000	145 8368 000	145 8368 000	1	FUSE FUNCTION PCB 3A

BOOK E			RICAMBI CONSIGLIATI / RECOMMENDED SPARE PARTS	2006-08
E	18.3.1	58	BA 451 / BA 531 / BA 451 D / BA 531 D	

BA 451 Ref. No.	BA 451 D Ref. No.	BA 531 Ref. No.	BA 531 D Ref. No.	Qty	Description
	909 6678 000		909 6678 000	1	FUSE BRUSH CLICK OFF
	145 8368 000		145 8368 000	1	FUSE PUMPS 3A
	909 6544 000		909 6544 000	1	SPEED POTENTIOMETER
909 6659 000	909 6659 000	909 6659 000	909 6659 000	1	VACUUM MOTOR 24V 330W 2 STAGE
909 6491 000	909 6491 000	909 6491 000	909 6491 000	1	VACUUM MOTOR PANEL ACOUSTIC INSULATION
909 6490 000	909 6490 000	909 6490 000	909 6490 000	1	GASKET VACUUM MOTOR
909 6918 000	909 6918 000	909 6918 000	909 6918 000	1	GASKET VACUUM MOTOR
909 6645 000	909 6645 000	909 6645 000	909 6645 000	1	VACUUM MOTOR 24V FAN SCREEN
909 6541 000	909 6541 000	909 6541 000	909 6541 000	1	BATTERY CHARGER 24V 13A 100-240V 50/60HZ
909 6802 000	909 6802 000	909 6802 000	909 6802 000	1	KIT VACUUM MOTOR BATTERY VERSION
909 5380 000	909 5380 000	909 5380 000	909 5380 000	1	CARBON BRUSHES WH 2 BRUSH MOTOR (4 PCS) AMER
909 5371 000	909 5371 000	909 5371 000	909 5371 000	1	CARBON BRUSHES VACUUM MOTOR (2 PCS)
	08812292		08812292	1	PEDAL POTENTIOMETER
<b>EDS - CHEMICAL SYSTEM</b>					
	909 6743 000		909 6743 000	1	EDS ECO DOSAGE SYSTEM KIT
	909 6806 000		909 6806 000	1	HOSE KIT
	909 6636 000		909 6636 000	1	BARB
	56315108		56315108	1	FLOWJET WATER PUMP
	56315502		56315502	1	CHEMICAL TANK
	56315517		56315517	1	REFILLING CAP
	56315522		56315522	1	CHECK VALVE
	56315523		56315523	1	CAP
	56315527		56315527	1	FLOATING SENSOR
	909 6183 000		909 6183 000	1	CHEMICAL PUMP
	909 6536 000		909 6536 000	1	TEE FITTING





**Nilfisk-Advance SpA**

Registered office: Via F. Turati 16/18, 20121 Milano

Administrative office: Località Novella Terza, 26862 Guardamiglio (Lodi)

[www.nilfisk-advance.com](http://www.nilfisk-advance.com)

Phone: +39 0377 451124

Fax: +39 0377 51443

Printed in Italy