



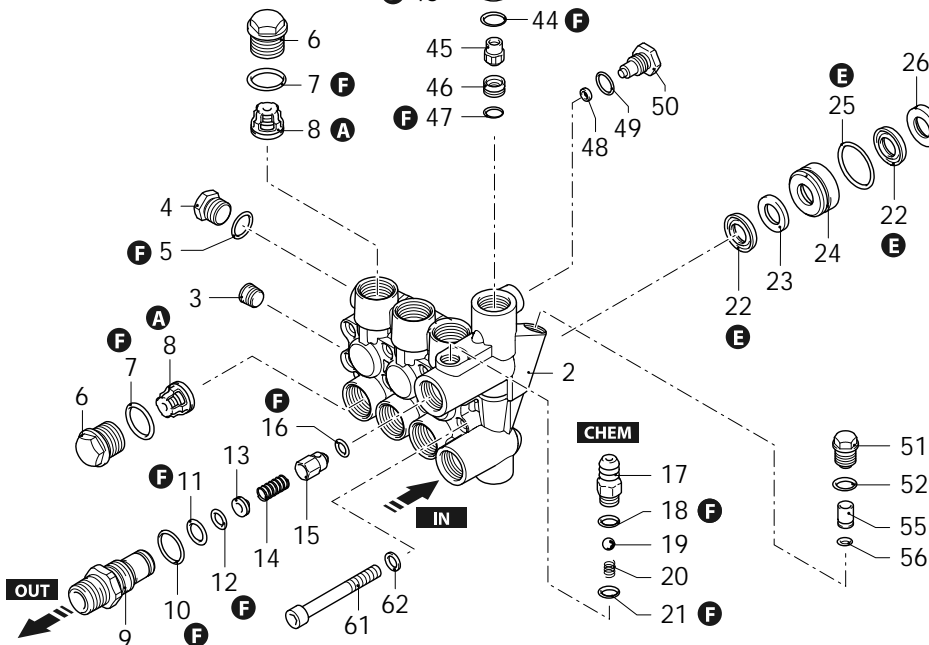
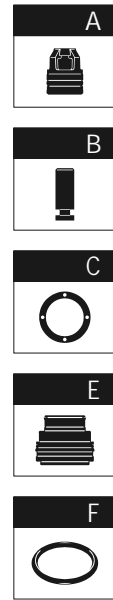
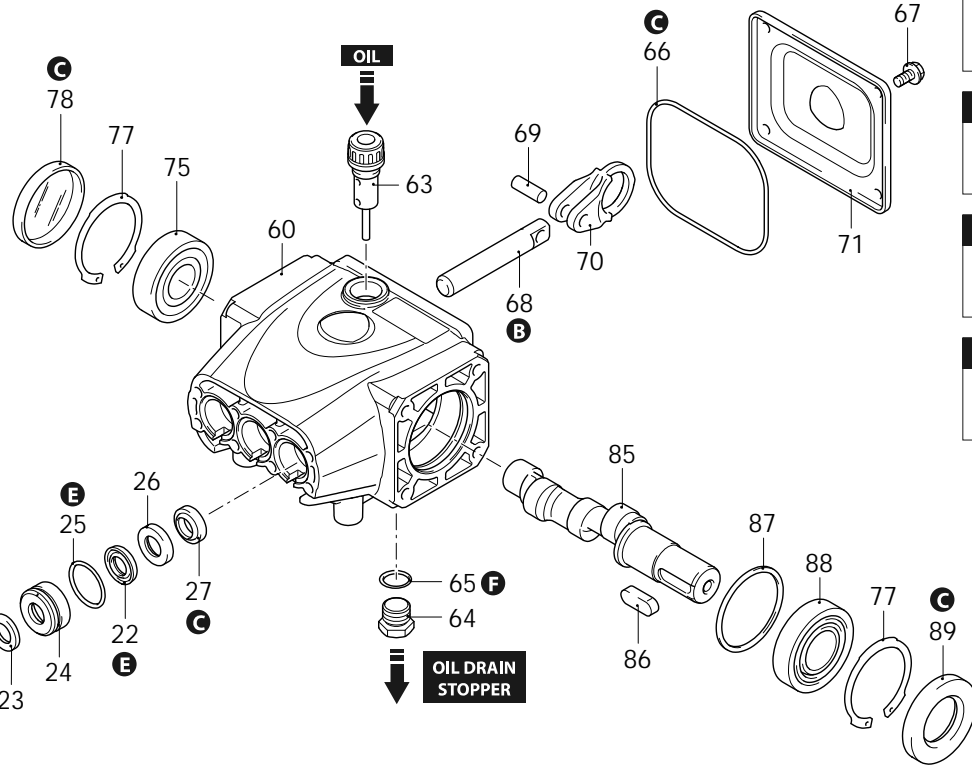
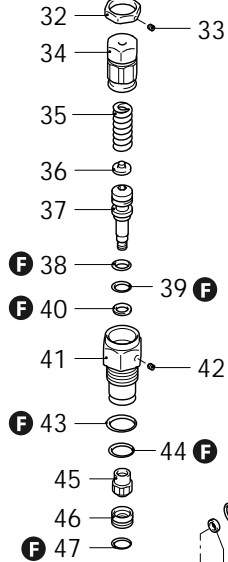
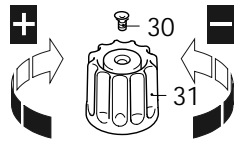
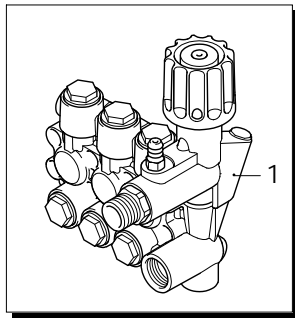
Series 414

JRA

N

1750rpm

ø 24mm



AR\_s414-02\_014

06/03/2026



Series 414

JRA

N

1750rpm

ø 24mm

P	Code	Description	Q	Assembly prescription	Validity	P	Code	Description	Q	Assembly prescription	Validity
1	4149207	Head assembly	Ø 14	1		41	3800210	Piston guide	1	C=15Nm / Loxeal 55-14	
2	4140660	Head		1		42	3800310	Screw	1	Loxeal 55-14	STEI M4X4
3	2760260	Plug	1/4" G	1	Loxeal 55-14	43	740290	O-ring	1	Lubricate with grease Molykote PG54	Ø 14x1,78
4	2841800	Plug		1	C=8Nm / Loxeal 55-14	44	820510	O-ring	1		Ø 10,82x1,78
5	3700250	O-ring	Ø 8x1,1	1	Lubricate with grease Molykote PG54 / 80 Sha	45	3800230	Piston	1	C=3Nm / Loxeal 55-14	lower
6	2840130	Plug		6	C=25Nm / Loxeal 55-14	46	2841080	Seat	1		
7	2841520	O-ring	Ø 13,5x1,8	6		47	1470210	O-ring	1		Ø 9x1
8	2849051	Complete valve	plastic	6		48	1120681	O-ring	1	Lubricate with grease Molykote G807	Ø 3,39x1,78
9	2760230	Fitting	3/8" G (M)	1	C=40Nm / Loxeal 55-14	49	600180	O-ring	1		Ø 7,66x1,78
10	394280	O-ring	Ø 12,42x1,78	1	Lubricate with grease Molykote PG54	50	1344950	Plug	1	C=8Nm	
11	2760270	O-ring	Ø 12x1	1	Lubricate with grease Molykote PG54	51	3720730	Plug	1		
12	1470210	O-ring	Ø 9x1	1		52	1682800	O-ring	1		Ø 6x1,5
13	2760120	Injector	Ø 2,0	1		55	3721210	Seat	1		
14	2760200	Spring		1		56	3720750	O-ring	1		Ø 4x1
15	2761511	Shutter		1		60	4140520	Pump body	1		
16	2101770	O-ring	Ø 4x2,5	1	90 Sh	61	1345180	Screw	8	C=6,2Nm	TCEI M5x40
17	3700240	Hose tail	Ø 8	1	C=4Nm	62	4140140	Washer	8		
18	480480	O-ring	Ø 4,48x1,78	1		63	4140210	Oil plug	1		with oil dipstick
19	1250280	Ball		1		64	2841800	Plug	1	C=8Nm / Loxeal 55-14	
20	1560520	Spring		1		65	3700250	O-ring	1	Lubricate with grease Molykote PG54 / 80 Sha	Ø 8x1,1
21	3700250	O-ring	Ø 8x1,1	1	Lubricate with grease Molykote PG54 / 80 Sha	66	4140090	O-ring	1		
22	3800140	Gasket		6		67	4140270	Screw	4		TE 5x8
23	3800890	Ring	anti-extrusion	3		68	4140430	Piston	3	Lubricate with grease Molykote PG54	Ø 14
24	4140490	Bushing	Ø 14	3		69	4140070	Pin	3		
25	4140510	O-ring	Ø 22,5x1	3	Lubricate with grease Molykote PG54	70	4140080	Connecting-rod	3	Lubricate with grease Molykote BR2 PLUS	aluminium
26	3800170	Bushing		3		71	4140030	Cover	1		
27	3800111	Ring		3		75	4140110	Bearing	1		
30	3800250	Screw	TSEI M4x8	1	C=3Nm / Loxeal 55-14	77	4140360	Ring	2		seeger Øi 47
31	3800180	Knob		1		78	4140150	Cover	1		
32	3800200	Nut	M16x1	1		85	4140050	Shaft	1		1 marked
33	3800240	Screw	STEI M3x4	1		86	1380520	Key	1		
34	3800190	Screw		1		87	4140190	Ring	1		
35	2760410	Spring		1	Lubricate with grease Molykote BR2 PLUS	88	4140100	Bearing	1		
36	1980220	Wobble plate		1		89	4140200	Oil seal	1		
37	4140170	Piston		1	Lubricate with grease Molykote PG54	A	43478	Valve kit	1		
38	2260100	O-ring	Ø 6,02x2,62	1	Lubricate with grease Molykote PG54	B	43894	Piston kit	1		Ø 14
39	660190	O-ring	Ø 6,07x1,78	1	Lubricate with grease Molykote PG54	C	43895	Oil seal kit	1		
40	2760210	Ring	anti-extrusion	1		E	43896	Water seal kit	1		Ø 14

Revision: 1

Oil type: SAE 15W40

Validity: &lt; XX/YY = From week/year

Date: 06/03/2026

Oil quantity: 0,154 Kg

C= Tightening torque (Tolerance +0 ÷ -10%)

\* = Not present for electric pump



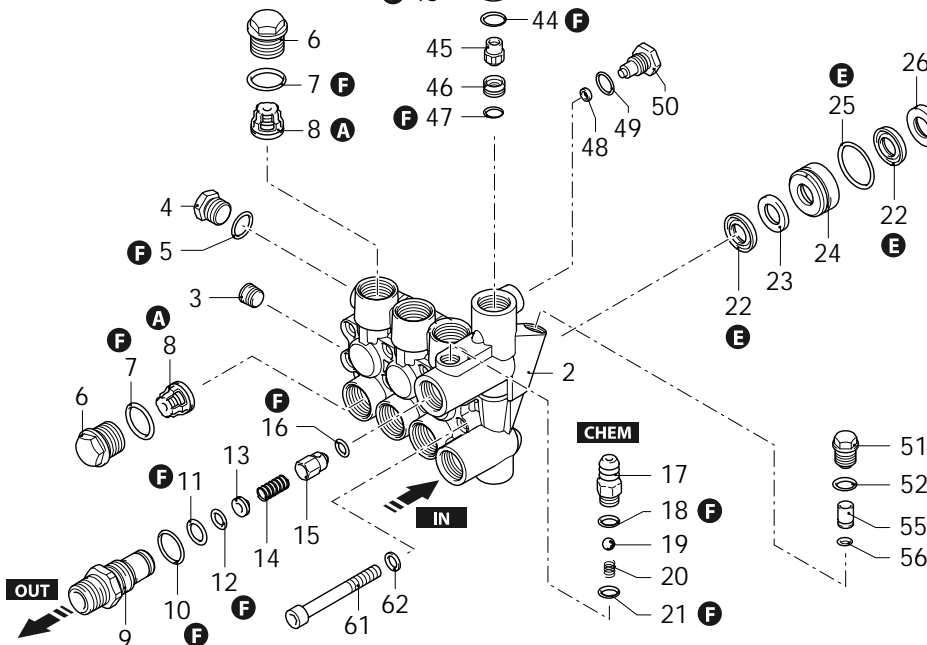
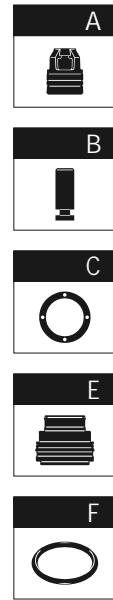
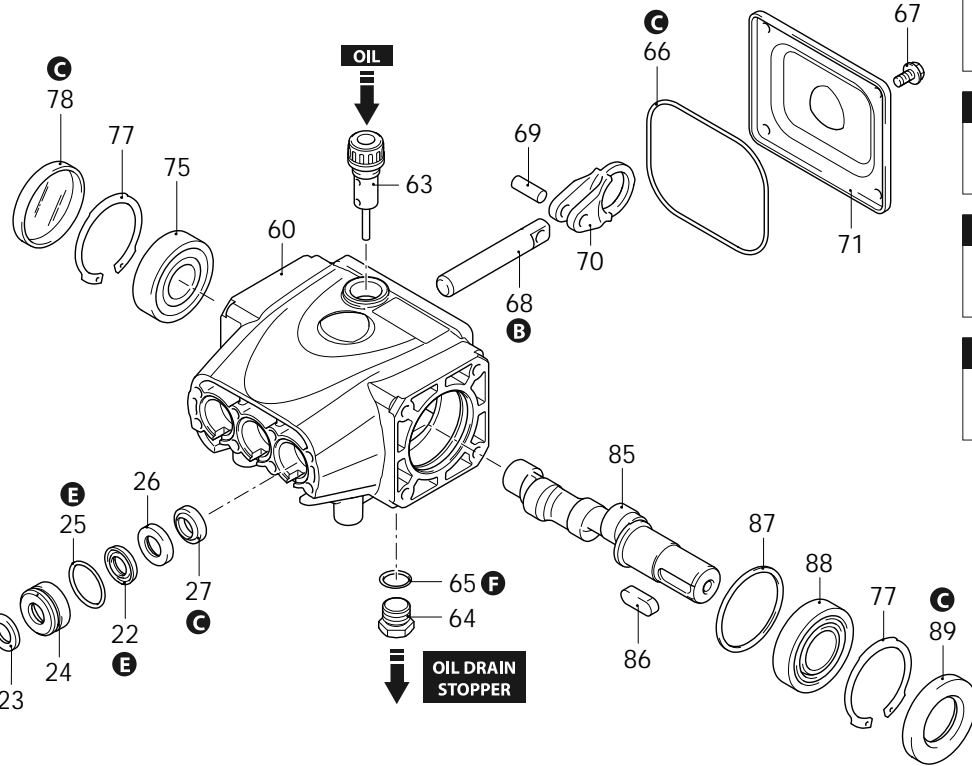
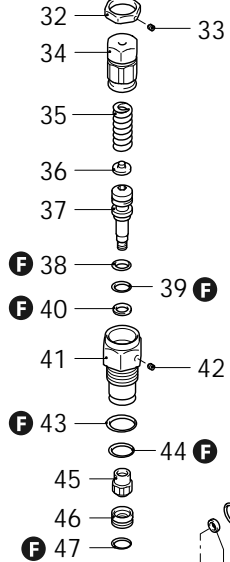
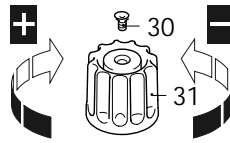
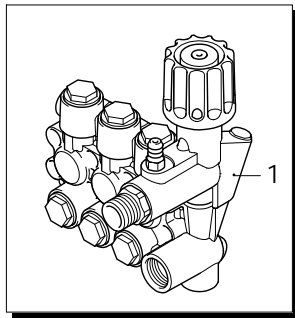
Series 414

JRA

N

1750rpm

ø 24mm



AR\_s414-02\_014

06/03/2026



Series 414

JRA

N

1750rpm

∅ 24mm

P	Code	Description	Q	Assembly prescription	Validity	P	Code	Description	Q	Assembly prescription	Validity
F	43482	Gasket kit	1								

Revision: 1

Oil type: SAE 15W40

Validity: < XX/YY = From week/year

Date: 06/03/2026

Oil quantity: 0,154 Kg

*C= Tightening torque (Tolerance +0 ÷ -10%)*

*\* = Not present for electric pump*