

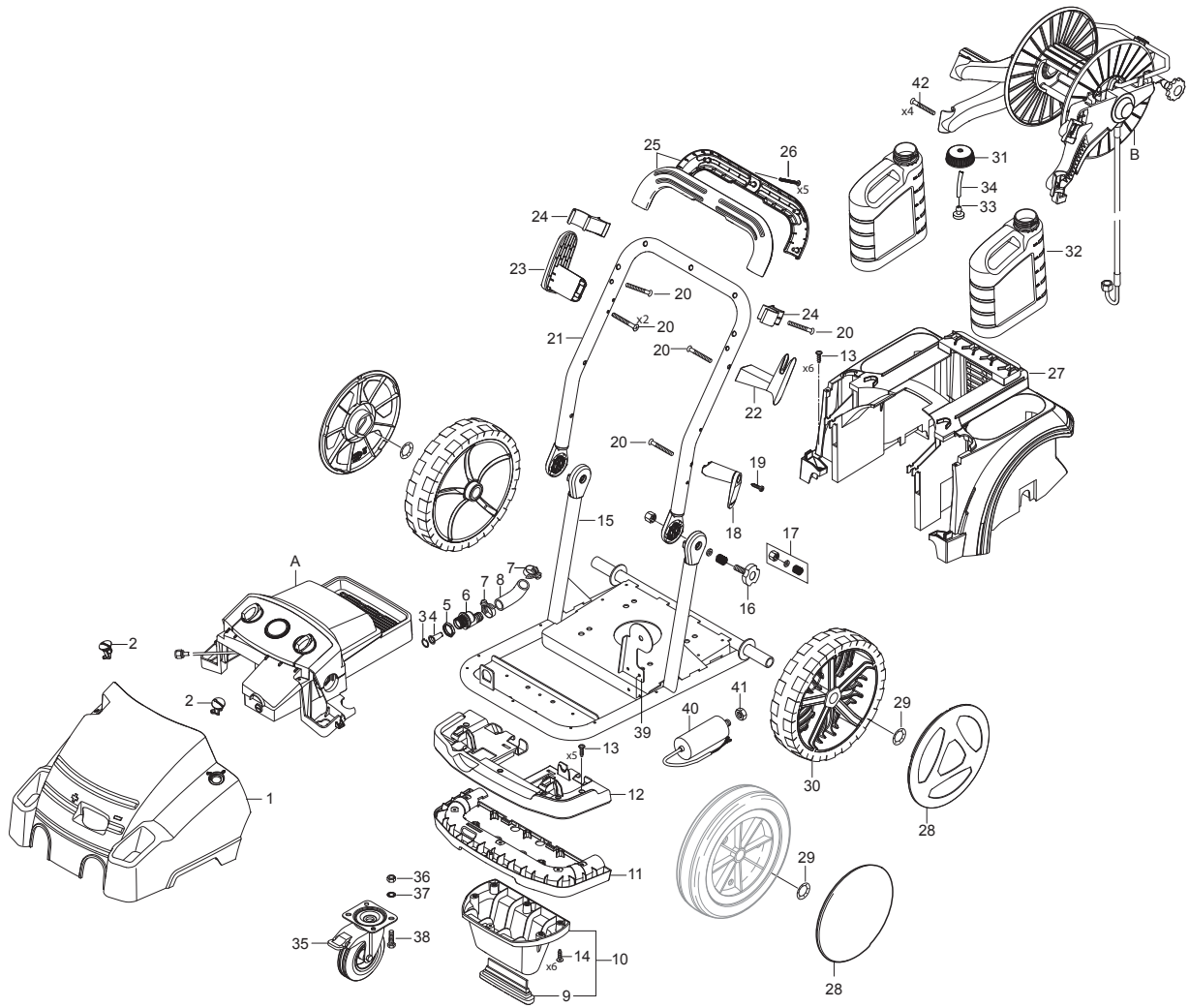
PARTS LIST



2021.06.01

TABLE OF CONTENTS

Overview	1
Electric box	4
Hose reel	7
Motor pump	9
Cylinder block	13
Unloader PA	15
Unloader PA without water regulation	17
101118324 - NA5.2 Pump kit	19
Default accessories	21
Recommended spare parts	23



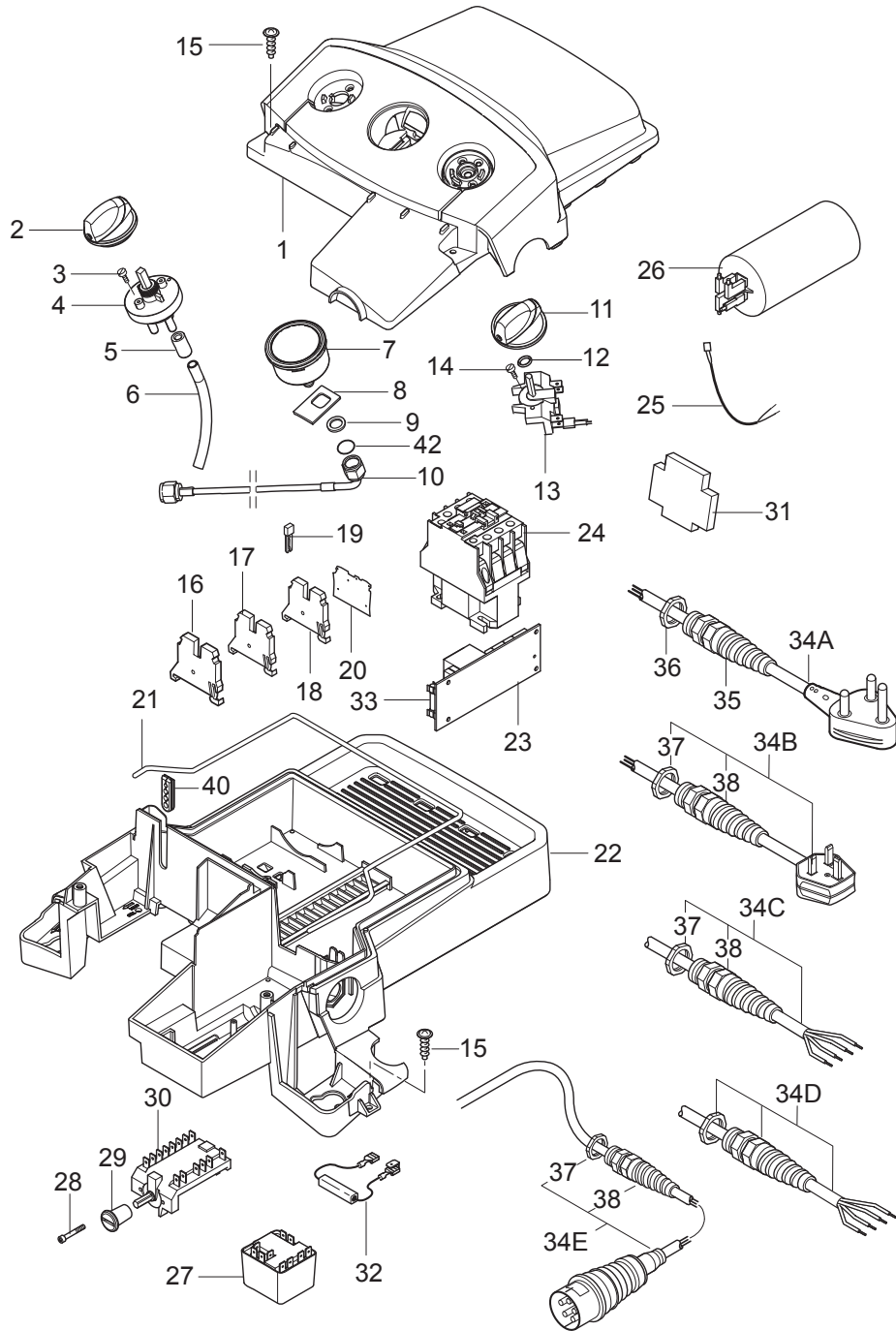
Pos.	Réf article	Qté	Désignation	Notes
A		1	El-box complete	[1]
B		1	Hose reel complete	[2]
1	107141600	1	CAPOT AVANT NA POSEIDON 5	
1	107141601	1	CAPOT POSEIDON 5 SANS REGULATION	
1	107140958	1	CABINET FRONT NA POSEIDON 5 UNITOR	
2	301001261	2	VERROU	
3	107141667	1	CIRCLIP	
4	101117926	1	FILTRE	
5	1800341	1	ECROU 3/4"	
6	107141668	1	PIÈCE DE RACCORDEMENT	
7	23221	2	COLLIER	
8	107141670	1	TUYAU	[3]
8	107141697	1	COUDE CAOUTCHOUC NA5/NA6 FA	[4]
9	107141615	1	RUBBER FOOT	
10	101118100	1	KIT BEQUILLE AVANT	
11	107141617	1	PLAQUE DE RETENUE	
12	107141618	1	PLAQUE DE RETENUE	
13	107141690	5	VIS M5X12 DIN7985 TORX TAPTITE	
14	107141838	6	VIS K50X18 WN1451 NOIR TORX20	
15	107141620	1	FRAME NA5	
15	107141622	1	FRAME STAINLESS STEEL	
16	107141672	2	BOUTON ÉTOILE	
17	101118104	2	KIT LOQUET A RESSORT	
18	107141625	1	CROCHET MOBILE	
19	107141838	1	VIS K50X18 WN1451 NOIR TORX20	
20	107141627	10	VIS K50X40 T20	
21	107141623	1	CADRE DE POIGNEE MC 5	
22	107141632	1	SUPPORT	
23	107141629	1	SUPPORT	
24	107141630	1	SUPPORT LANCES	
25	101118101	1	MONTURE DE POIGNÉE	
26	909100148	5	VIS K40X30 WN 1452	
27	107141634	1	BOÎTIER	
28	107145780	2	ENJOLIVEUR DE ROUE Ø300X65 (STARCO)	[5]
28	107145782	2	WHEEL CAP FOR WHEEL Ø300X65 - UNITOR	[5]
28	301001077	2	ENJOLIVEUR D234 BLEU	[6]
28	107140961	2	WHEEL CAP D300 UNITOR	[5]
29	46363	2	FIXATION RAPIDE	
29	107145570	2	BAGUE DE BLOCAGE D25XD42X3	
30	6184074	2	ROUE	[5]
30	107145637	2	ROUE Ø300X65 (STARCO)	[5]
31	107141664	2	BOUCHON POUR BIDON A DETERGENT	
32	107141635	2	BIDON A DETERGENT 2.5 L SANS BOUCHON	
33	6400240	1	CRÉPINE D'ASPIRATION	
34	106408243	1	TUBE TRANSPARENT DE 5M 1/4INCH	
35	107141607	1	ROUE PIVOTANTE + FREIN	
36	1800515	4	ECROU FREIN M8	
37	1800796	4	RONDELLE M8	
38	2753	4	VIS M8X20 ISO 4017 ZN	
39	107141611	1	PLATE FOR CAPACITOR	
40	107141619	1	CONDENSATEUR 170MF	[7]
40	107141732	1	CAPACITOR 140 UF	[8]
41	2761	1	HEXAGON NUT M12	[9]
42	107141695	4	SCREW K50X35 TORX 20 WN5452 BLACK	
NS	107140982	1	CARTON EMBALLAGE 10 PCS	

Part Notes:

- [1] - See link Electric box
 [2] - See link Hose reel

- [3] - PA
- [4] - FA
- [5] - The new wheel and wheel cap is added from
Variant Ser. Nr. order nr.machine nr.
Nilfisk 3520151900645 - 1712947 - 107146806
Unitor 3520151901159 - 1711044 - 107146807
- [6] - STOCK COVERS GUARANTEE

The new wheel and wheel cap is added from
Variant Ser. Nr. order nr.machine nr.
Nilfisk 3520151900645 - 1712947 - 107146806
Unitor 3520151901159 - 1711044 - 107146807
- [7] - 230-240/1/50 UK, AU
- [8] - US
- [9] - STOCK COVERS GUARANTEE

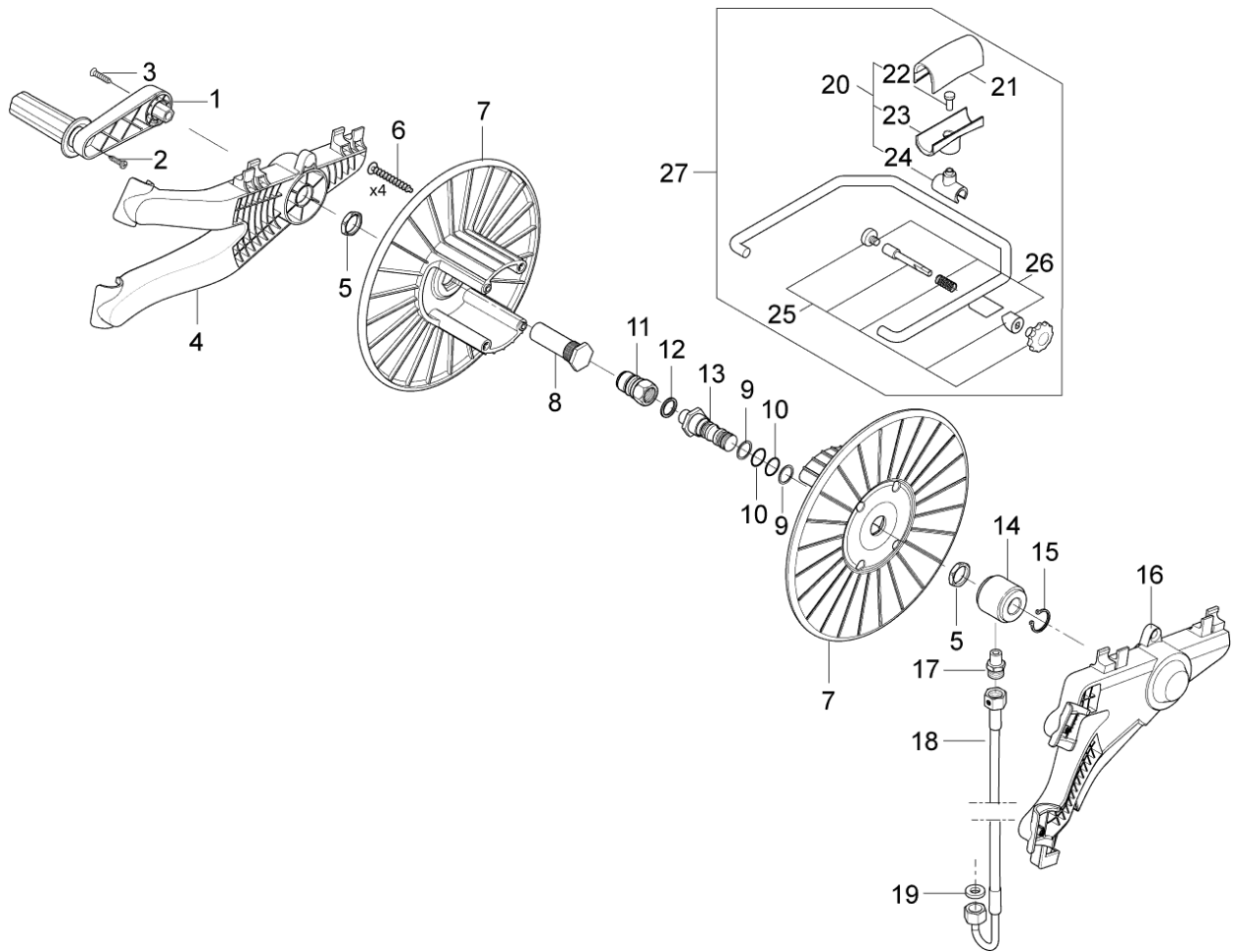


Pos.	Réf article	Qté	Désignation	Notes
1	107141644	1	CAPOT NOIR BOITIER ELECTRIQUE	[1]
1	107141646	1	E-BOX TOP F. 1-POS SWITCH-NO DET. BLACK	[2]
1	107141645	1	CAPOT BOITIER ELECTRIQUE	[3]
2	909100214	1	BOUTON TOURNANT BLEU	
3	1814730	2	VIS	
4	301001000	1	VANNE DETERGENT	
5	301001906	1	CAPUCHON	
6	106408243	1	TUBE TRANSPARENT DE 5M 1/4INCH	
7	107141648	1	MANOMETRE 0-300 BAR	
8	107141650	1	SUPPORT	
9	107141651	1	JOINT M12 13X24X2.5 A2 DIN 125	
10	107141653	1	FLEXIBLE DE MANOMETRE POUR MODELE FA	[4]
10	107141652	1	FLEXIBLE DE MANOMETRE POUR MODELE PA	[5]
11	909100204	1	BOUTON TOURNANT 6X5 BLUE	
12	9868	1	JOINT TORIQUE 10.2X2.5 NBR 70	
13	301001058	1	INTERRUPTEUR 0-1 10A 400VAC	[6]
13	28877	1	INTERRUPTEUR	[7]
14	18274	1	VIS TETE FRAISEE M4X12	
15	107141838	6	VIS K50X18 WN1451 NOIR TORX20	
16	103821922	1	SUPPORT DE BORNIER	
17	107141633	1	TERMINAL BLOCK 4Q PE	
18	103821967	1	BORNIER	
19	103821969	1	PONT	
20	103821968	1	PLAQUE	
21	101406054	1	JOINT	
22	107141654	1	BOITIER ELECTRIQUE	
22	107141665	1	BOÎTIER	
22	107141655	1	E-BOX BOTTOM DRILLED /SWITCH/	[8]
23	107141666	1	CARTE ELECTRONIQUE POSEIDON 5/6/7	
24	103822314	1	CONTACTEUR ÉLECTROMAGNÉTIQUE 100-C30KF10	[9]
24	103822303	1	CONTACTEUR CJX2-D18 18A 400V 3P+NO	[10]
24	63910	1	CONTACTEUR ÉLECTROMAGNÉTIQUE 100-C23KF10	[11]
24	103822304	1	CONTACTEUR CJX2-D18 18A 230V 3P+NO	[12]
25	107141796	1	CABLAGE PCB POUR ASPIRATION	[13]
25	107141656	1	PCB WIRE for B4	
26	101117947	1	CONDENSATEUR 100UF 450V DOUBLE 6.3	[14]
26	107143182	1	CONDENSATEUR 70UF 450/500V RP-3	[15]
27	107142761	1	RELAIS DE DEMARRAGE RVA4G0C	[12]
27	107140968	1	RELAIS DE DEMARRAGE RVAH4AH0C	[16]
27+32	101118305	1	RELAIS DE DEMARRAGE RVA4G0C	[17]
27+32	101118143	1	START RELAY KIT F. POSEIDON 5-6-7 1PH US	[16]
28	101117739	2	VISHEX M4X22-8.8 A2K DIN912	
29	64580	1	BOUTON TOURNANT	[18]
30	301000293	1	BORNIER - ETOILE/TRIANGLE	
31	64773	1	CONTACT AUXILIAIRE 100-SBL11	
32	107141730	1	DISCHARGE RESISTOR 15KOHM/7W	[19]
33	301000263	1	FUSIBLE	
34A	301000407	1	POWER CORD SJOW AWG10/3X9.0	[20]
34B	301000912	1	CÂBLE D'ALIMENTATION GB	[21]
34C	101117811	1	POWER C.H07RN 4G1.5 GDN 6.3X0.8 KIT	[22]
34D	301001384	1	POWER CORD VCT 4X3.5X10,8M W/O PLUG AEH	[23]
34D	301000834	1	CÂBLE D'ALIMENTATION EUROPA	[24]
35	909100198	1	SCREWED CABLE GLAND M25X1.5	[25]
36	909100020	1	HEXAGON THIN NUT M25X1.5 EN 50262 PA	[25]
37	909100019	1	ECROU M20X1.5	[26]
38	909100043	1	RACCORD À VIS POUR CÂBLES	[26]
40	107141663	1	RUBBER GROMMET	
42	31000508	1	JOINT TORIQUE NBR	

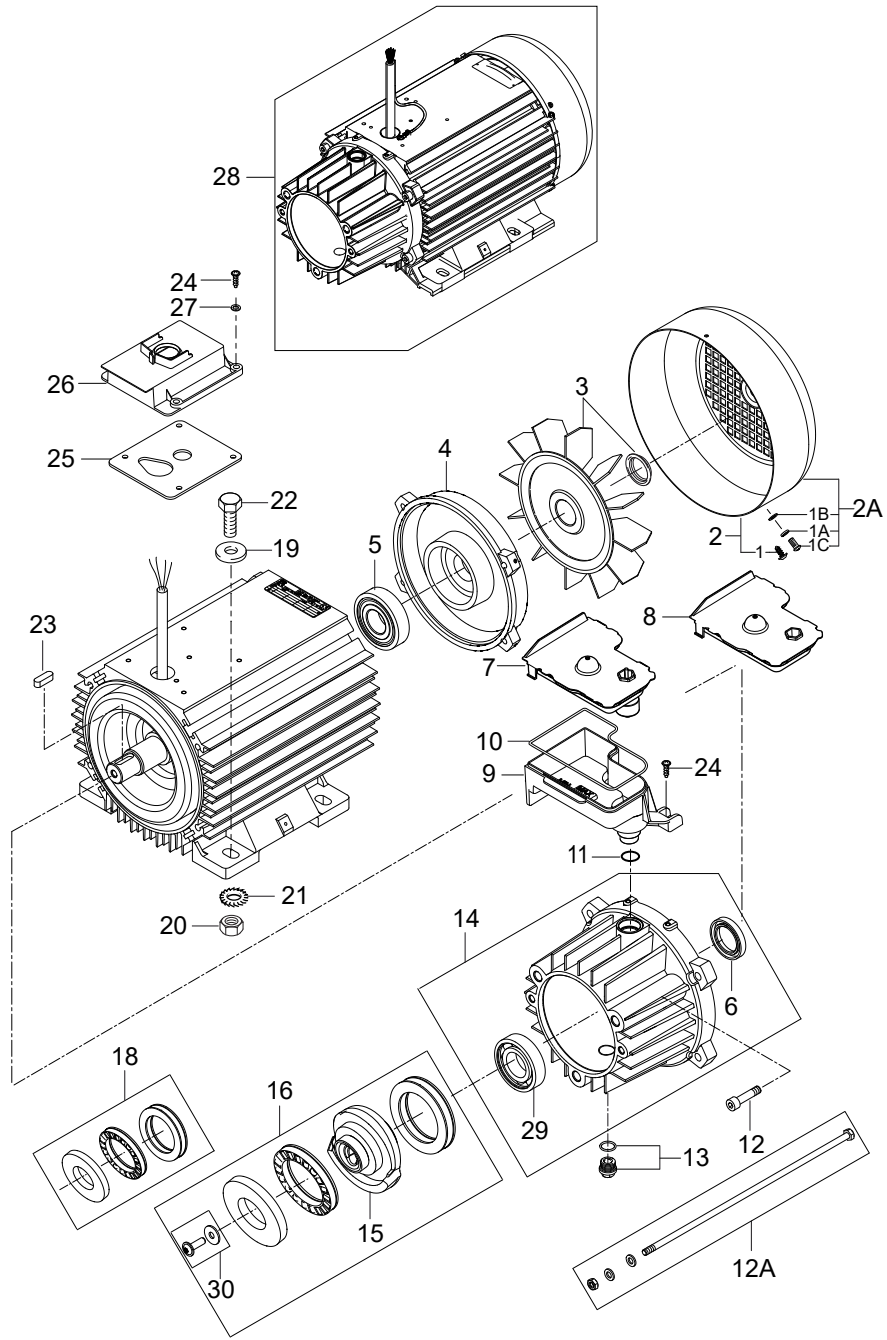
Part Notes:

- [1] - 1 pos. and detergent
- [2] - 1 pos. without detergent
- [3] - 2 pos. and detergent
- [4] - FA
- [5] - PA
- [6] - 1-POS.
- [7] - 2-POS.
- [8] - Star/triangle
- [9] - (220-240/1/60 US) (200/3/50-60Hz JP)
- [10] - 400/3/50Hz
- [11] - 220/440/3/50/60Hz
- [12] - 230/1/50Hz
- [13] - S1 to X8 – “suction mode wire”
- [14] - 5-52FA
- [15] - 230/1/50 UK
TSB-PPW-2018-003 MH_MC change of start relay and run capacitor
- [16] - 220-240/1/60 US
- [17] - 230/1/50 UK, AUS

TSB-PPW-2018-003 MH_MC change of start relay and run capacitor
TSB-PPW-2018-003 MH_MC Changement du relais de démarrage et du condensateur de fonctionnement
- [18] - TSB-PPW-2016-007 Rotary knob for Voltage selector switch 230V-400V must be sealed with lacquer
DE TSB-PPW-2016-007 Drehknopf des Spannungsauswahlschalters 230V-400V muss mit Lack versiegelt werden
- [19] - 230/1/50 UK, 220-240/1/60 US
- [20] - US
STOCK COVERS GUARANTEE
- [21] - 5-32 PA – MC 5M 100/770 PA 230/1/50 UK -M25 - M20
- [22] - NO, EXP.
- [23] - JP
- [24] - EU, 3ph
- [25] - M25
- [26] - M20



Pos.	Réf article	Qté	Désignation	Notes
0	106403143	1	KIT ENROULEUR DE FLEXIBLE - SS FLEXIBLE	
1	101118102	1	MANIVELLE	
2	107141838	1	VIS K50X18 WN1451 NOIR TORX20	
3	107141673	1	VIS M6X45 ISO 7380	
4	107141674	1	SUPPORT	
5	62696	1	ECROU HEX M24X1.5X6	
6	909100153	1	VIS K60X40	
7	301000775	1	TAMBOUR D'ENROULEMENT	
8	107141675	1	AXLE FOR HOSE REEL	
9	63792	2	BAGUE - D16.26X2.18	
10	19620	2	JOINT TORIQUE 15.0 X2.65	
11	1600493	1	RACCORD RAPIDE MALE HP EN 3/8	
12	1801075	1	ANNEAU DE JOINT	
13	107141676	1	RACCORD	
14	301000977	1	COUSSINET	
15	1802057	1	ANNEAU SEEGER 20X1.0	
16	107141677	1	SUPPORT D ENROULEUR	
17	54590	1	RACCORD	
18	107141678	1	FLEXIBLE HAUTE PRESSION	
19	65466	1	JOINT CUIVRE 8X15X1 DIN7603 A	
20	101118103	1	HOSE GUIDE PARTS KIT	
21	301000674	1	GUIDE DE FLEXIBLE	
22	10028	1	VIS KA50X14	
23	301000676	1	GUIDE DE FLEXIBLE	
24	107141679	1	HOSE GUIDE SLEEVE OPEN	
25	101118106	1	KIT BLOCAGE D ENROULEUR	
26	101118111	1	HOSE GUIDE KIT	
27	101118105	1	GUIDE DE FLEXIBLE	



Pos.	Réf article	Qté	Désignation	Notes
	31001229	1	OIL ISO 150 ALPHASYN-T 20L	
0	5218433	1	HUILE ALPHASYN T150	[1]
1		1	SCREW 3X9.5 MUSHROOM HEAD EME	[2]
1A		1	Spring washer Ø5	[3]
1B		1	Flat washer Ø5	[4]
1C	31000488	1	SCREW M5X8 CYLINDER HEAD PH NOTCH RF	[5]
2	107144127	1	COUVERCLE DE PROTECTION D HELICE	[6]
2A	107144126	1	BAGUE DE VENTILATEUR	[5]
3	107144124	1	HELICE AVEC BAGUE DE BLOCAGE EME	[2]
3	107144125	1	VENTILATEUR	[5]
4	31000148	1	COUVERCLE DE ROULEMENT	[5]
4	31000150	1	FLASQUE ARRIERE MOTEUR EME	[2]
5	31000149	1	ROULEMENT ARRIERE DE POMPE RF	[5]
5	31000151	1	ROULEMENT	[2]
6	G120414	1	BAGUE D'ÉTANCHÉITÉ 30X47X7	
7	107140883	1	COUVERCLE RESERVOIR HUILE +SONDE	
8	107140877	1	COUVERCLE	
9	107140879	1	RÉSERVOIR D'HUILE	
10	101406054	1	JOINT	
11	3004221	1	JOINT TORIQUE D16X2.0	
12	2751	4	VIS DE FLASQUE M8X35 ISO 4017 ZN	[2]
12A	31000505	1	VIS M8X290	[7]
12A	31000504	1	VIS M8X265	[8]
13	107141982	1	BOUCHON DE VIDANGE AIMANTE NA 5.2	
14	107141967	1	KIT COUVERCLE POMPE AVEC ROULEMENT NA5.2	[9]
15	107141990	1	WOBBLE DISC 7.74 DEG. NA5.2	[10]
15	107141961	1	DISQUE OBLIQUE 8.4 DEG. NA5.2	[11]
15	107141962	1	DISQUE OBLIQUE 8.7 DEG. NA5.2	[12]
15	107141963	1	DISQUE OBLIQUE 9.15 DEG. NA5.2	[13]
15	107141964	1	DISQUE OBLIQUE 10.2 DEG. NA5.2	[14]
15	107141965	1	DISQUE OBLIQUE 10.9 DEG. NA5.2	[15]
15	107141966	1	DISQUE OBLIQUE 12 DEG. NA5.2	[16]
16	101118248	1	KIT ROULEMENTS DISQ.OBLIQ.7.74 DEG.NA5.2	[17]
16	101118246	1	KIT ROULEMENTS DISQ.OBLIQ.8.4 DEG.NA5.2	[18]
16	101118247	1	KIT ROULEMENTS DISQ.OBLIQ.8.7 DEG.NA5.2	[19]
16	101118245	1	KIT ROULEMENTS DISQ.OBLIQ.9.5 DEG.NA5.2	[20]
16	101118243	1	KIT ROULEMENTS DISQ.OBLIQ.10.2 DEG.NA5.2	[21]
16	101118242	1	KIT ROULEMENTS DISQ.OBLIQ.10.9 DEG.NA5.2	[22]
16	101118241	1	KIT ROULEMENTS DISQ.OBLIQUE 12 DEG.NA5.2	[23]
18	101118240	1	KIT ROULEMENTS FA & PA NA5.2	
19	2767	7	RONDELLE 10.5X2	
20	1800465	4	ECROU M10 DIN 934	
21	10204	4	RONDELLE CRANTEE A10	
22	8927	4	VIS HEXAGONALE M10X 35 ISO 4017	
23	19639	1	CLAVETTE VILEBREQUIN	
24	107140881	2	VIS M5X12 DIN 7985 TORX	
25	107140875	1	JOINT	[24]
26	107140876	1	COUVERCLE	
27	2767	4	RONDELLE 10.5X2	
28	107141953	1	MOTOR 6.7KW 220-440/230-400/3 50/60HZ-EU	[25]
28	107141954	1	MOTEUR 5.5 KW 220/230-400/440/3/50/60 EU	[26]
28	107141955	1	MOTOR 5.2 KW/220/1 60HZ 5-52 US	[27]
28	107141956	1	MOTEUR 2.2 KW/230/1 50HZ	[28]
28	107141957	1	MOTOR 4KW 200/3/50-60HZ JP 5-47 JP	[29]
28	107141958	1	MOTOR 4KW 230-400/220-440 3/50-60HZ NA5	[30]
29	107144817	1	ROULEMENT KBC 6206 GB/T818	
30	107142658	1	NA5.2 WD SCREW AND WASHER	
	101118263	1	MPU NA5.2 PA 5.5KW/400V/50HZ/3PH/10.9DEG	[31]

Part Notes:

- [1] - 0,71L - OIL TYPES_QUANTITY for HPW_APRIL 2017
- [2] - - EME – has EME letter on the motor type plate
- [3] - RF – has Nilfisk letter on the motor type plate
Ø5 spring washer
- [4] - RF – has Nilfisk letter on the motor type plate
Ø5 flat washer
- [5] - RF – has Nilfisk letter on the motor type plate
- [6] - STOCK COVERS GUARANTEE
- [7] - - EME – has EME letter on the motor type plate
RF – has Nilfisk letter on the motor type plate RF incl nut and washer,
5-62 PA - MC 5M 220/1130 PA

5-62 FA - MC 5M 220/1130 FA
- [8] - RF – has Nilfisk letter on the motor type plate RF incl nut and washer,
5-32 PA – MC 5M 100/770 PA
5-41 PA – MC 5M 180/840 PA
5-47 PA – MC 5M 170/980 PA
5-53 PA - MC 5M 200/1000 PA
5-56 PA - MC 5M 200/1050 PA
5-56 FA - MC 5M 200/1050 FA
- [9] - with 2 pins D4x8 - See instruction 107141734A_mounting D-bearing cover NA5
TSB-PPW-2015-002 NA5.2 Pump Information
- [10] - 5-32 PA – MC 5M 100/770 PA, 240/1/50
5-30 PA 240/1/50-

5-41 PA – MC 5M 180/840 PA, 220/440/3/60
- [11] - 5-47 PA – MC 5M 170/980 PA, 200/3/60 JP
- [12] - 5-41 PA – MC 5M 180/840 PA, 400/3/50
- [13] - 5-56 PA - MC 5M 200/1050 PA, 60Hz
- [14] - 5-52 FA,
5-47 PA – MC 5M 170/980 PA 200/3/50 JP
- [15] - 5-53 PA - MC 5M 200/1000 PA
5-56 PA - MC 5M 200/1050 PA
5-56 FA - MC 5M 200/1050 FA 50Hz
- [16] - 5-62 FA - MC 5M 220/1130 FA, 400/3/50
- [17] - 5-32 PA – MC 5M 100/770 PA 230/1/50 UK, 5-30 PA 240/1/50 AU
- [18] - 5-47 PA – MC 5M 170/980 PA 200/3/60 JP
- [19] - 5-41 PA – MC 5M 180/840 PA 400/3/50 EU
- [20] - 5-56 PA - MC 5M 200/1050 PA - 220/440/3/60 EXPT
- [21] - 5-52 FA 220-240/1/60 USA,
5-47 PA – MC 5M 170/980 PA 200/3/50 JP
- [22] - 5-56 FA - MC 5M 200/1050 FA 400/3/50 EU,
5-53 PA - MC 5M 200/1000 PA 400/3/50 EU
- [23] - 5-62 FA - MC 5M 220/1130 FA 400/3/50
- [24] - TSB-PPW-2018-012 NA5_NA6 mpu. Water enters into the stator.
- [25] - 5-62 PA - MC 5M 220/1130 PA
5-62 FA - MC 5M 220/1130 FA
Also order Gasket for motor, 107140875
- [26] - 5-53 PA - MC 5M 200/1000 PA
5-56 PA - MC 5M 200/1050 PA
5-56 FA - MC 5M 200/1050 FA
Also order Gasket for motor, 107140875

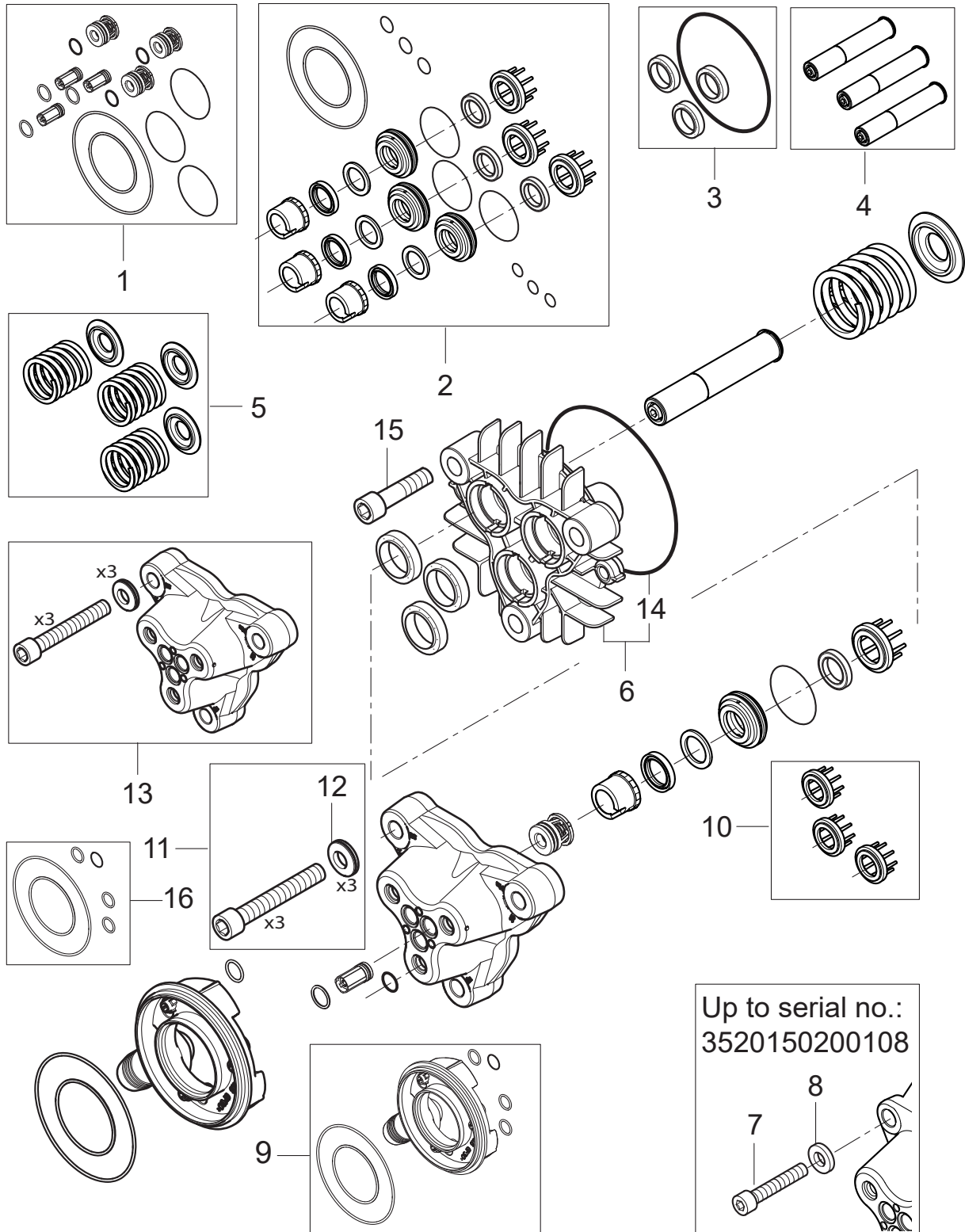
- [27] - 5-52 US
Also order Gasket for motor, 107140875
- [28] - 5-32 PA – MC 5M 100/770 PA UK
Also order Gasket for motor, 107140875
- [29] - 5-47 PA – MC 5M 170/980 PA JP
Also order Gasket for motor, 107140875
- [30] - 5-41 PA – MC 5M 180/840 PA
Also order Gasket for motor, 107140875
- [31] - MC 5M-200/1050 XT 400/3/50 EU

Cylinder block

POSEIDON 5-41 PA / MC 5M 180/840 PA

2019.01.23

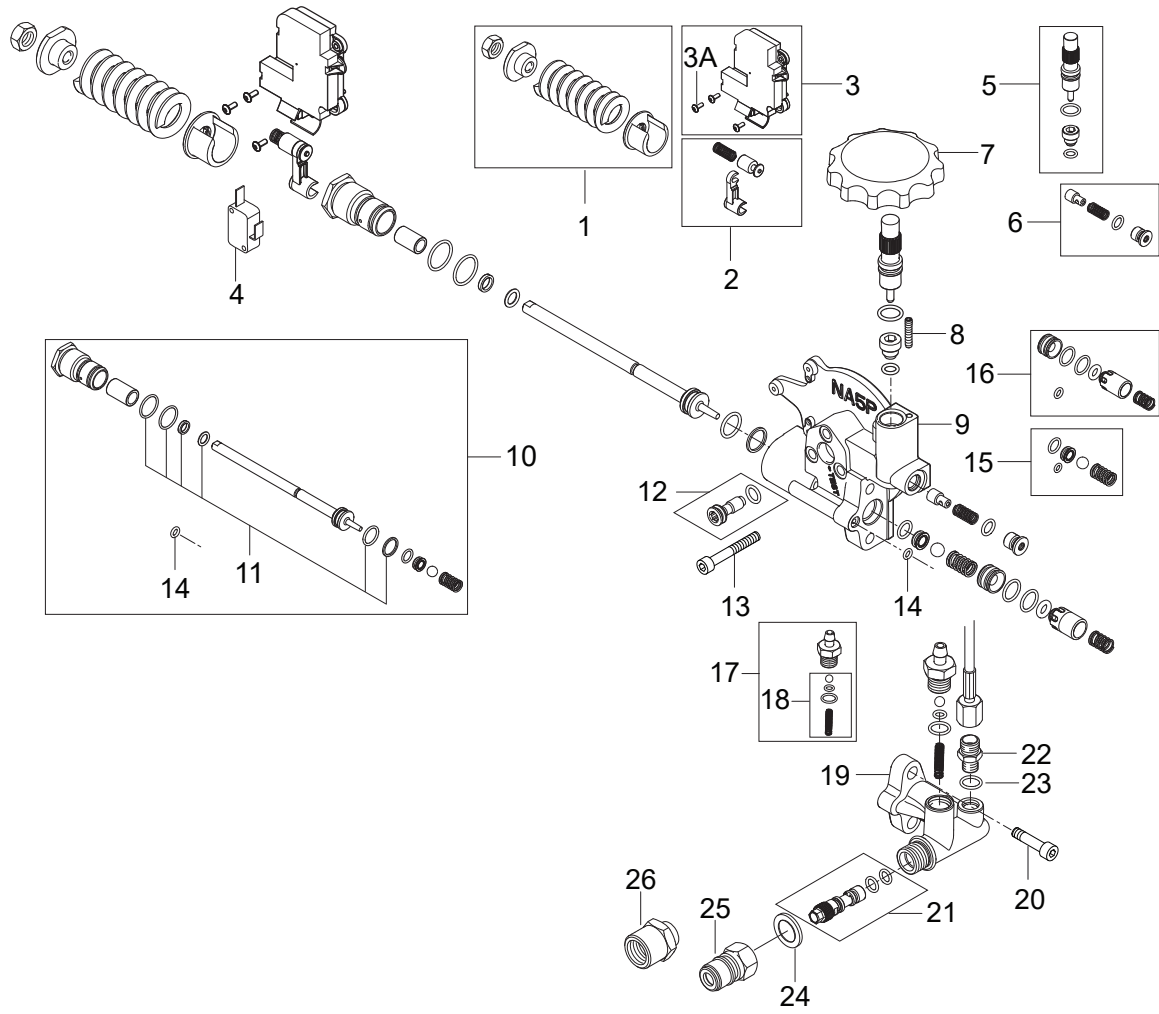
2019.04.05



Pos.	Réf article	Qté	Désignation	Notes
1	101118121	1	JEU DE SOUPAPES	
2	101118323	1	KIT JOINTS D EAU	[1]
2	101118256	1	KIT D'ASPIRATION À CHAUD HEAVYDUTY NA5 D	[2]
3	107144102	1	JEU DE JOINTS DE PISTONS	
4	101118239	1	KIT PISTONS NA5.2	
5	107144104	1	JEU DE PIÈCES DE RESSORT	
6	107141983	1	CULASSE NUE	[3]
7	107141513	3	VIS M12X65 12.9	[3]
8	107141727	3	RONDELLE 20X13X2 ISO7092	[3]
9	101118078	1	JEU BRIDE	
10	107140919	1	SUPPORT DE JOINT NA5	
11	107141968	1	VIS DE CULASSE M12X80 AVEC RONDELLE	[3]
12	107141969	3	RONDELLE NLX12SP D12.5XD25.4X4.2MM	[3]
13	107141985	1	CULASSE NA 5.2 AVEC VIS ET RONDELLES	[3]
14	107141512	1	JOINTS TORIQUES D114 X D1.78 NBR 72	
15	4042	2	VIS M8X40 ISO 4762 8.8 ZN	
16	101118080	1	JEU DE JOINTS	

Part Notes:

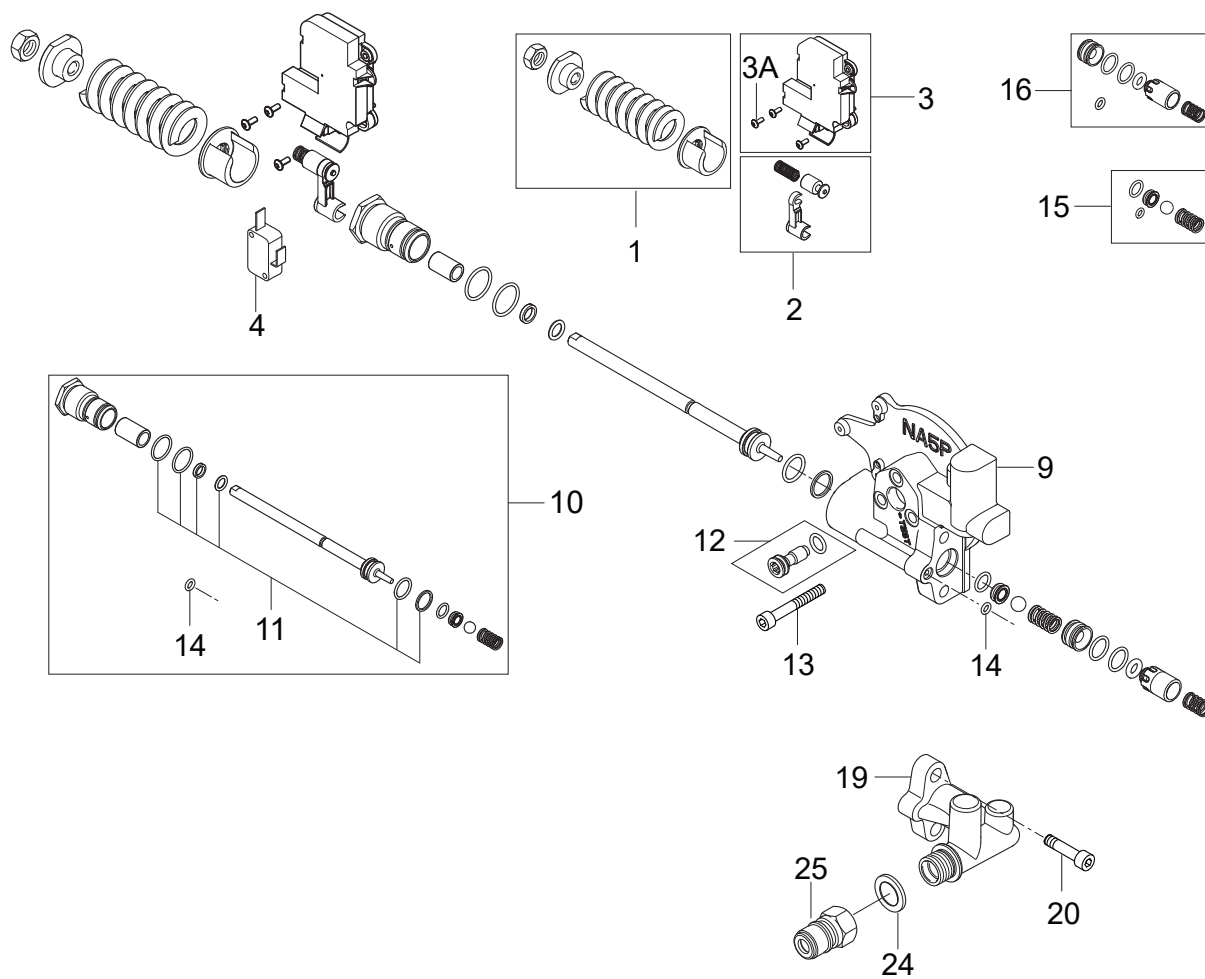
- [1] - TSB-PPW-2020-003 NA5 pump THRUST COLLAR changed
DE TSB-PPW-2020-003 NA5 Pumpe - Änderung der Druckringe
- [2] - TSB-PPW-2020-003 Nouvelles bagues laiton pour pompe NA5
Heavy duty water seal kit. Inlet temperature can be increased from 60°C (140°F) to 80°C (176°F).
- TSB-PPW-2018-001 NA5.2 Pump Heavy Duty Kit hot water
DE TSB-PPW-2018-001 NA5.2 Pumpe Heißwasser Kit
- [3] - TSB-PPW-2018-001 Kit de joints renforcés pour pompe NA5_2
TSB-PPW-2015-002 NA5.2 Pump Information
TSB-PPW-2012-007 Washer for cylinder block NA5
DE TSB-PPW-2012-007 Unterlagscheibe Zylinderkopf



Pos.	Réf article	Qté	Désignation	Notes
1	101118091	1	RESSORT	[1]
1	101118092	1	RESSORT BY-PASS NON PEINT	[2]
2	101118090	1	LEVIER	
3	101118084	1	BOÎTIER ÉLECTRIQUE	
3A	107141515	3	VIS M3X8 ISO7380 FZG TORX 10	
4	301002754	1	MICRO-SWITCH M/A HP	
4A	107143308	1	CABLE POUR MICRO INTERRUPTEUR MC5	
5	101118313	1	Kit vanne régulation de débit	[3]
6	101118314	1	Kit clapet de recyclage gros débit	[3]
7	107140823	1	BOUTON	
8	106408188	1	VIS DE BUTEE	
9	107140884	1	CULASSE DE BY-PASS PANEW NA5	[3]
10	101118294	1	KIT REPARATION NA5/5.2/6/6+ PA	[4]
11	101118083	1	KIT DE RÉPARATION POUR PISTON DISTRIBUTE	
12	107144137	1	BOUCHON	
13	5100	3	VIS M6X 45	
14	107141514	1	JOINT D4 X D1.5	
15	101118295	1	KIT REP VANNE DE BYPASS POMPE NA5.2 PA	[5]
16	101118254	1	CLAPET ANTI RETOUR POUR MONOPHASE	[6]
17	1119406	1	SOUPAPE ANTIRETOUR	
18	101118089	1	KIT DE RÉPARATION SOUPAPE	
19	107141516	1	CORPS	
20	8894	2	VIS M8X20 8.8 DIN	
21	107144112	1	INJECTEUR	
22	1821	1	PIÈCE DE RACCORDEMENT	
23	101814735	1	ANNEAU DE JOINT	
24	1801075	1	ANNEAU DE JOINT	
25	1600493	1	RACCORD RAPIDE MALE HP EN 3/8	
25	1603101	1	COUPLEUR RAPIDE M 3/8 INOX	[7]
26	64235	1	PIÈCE DE RACCORDEMENT	

Part Notes:

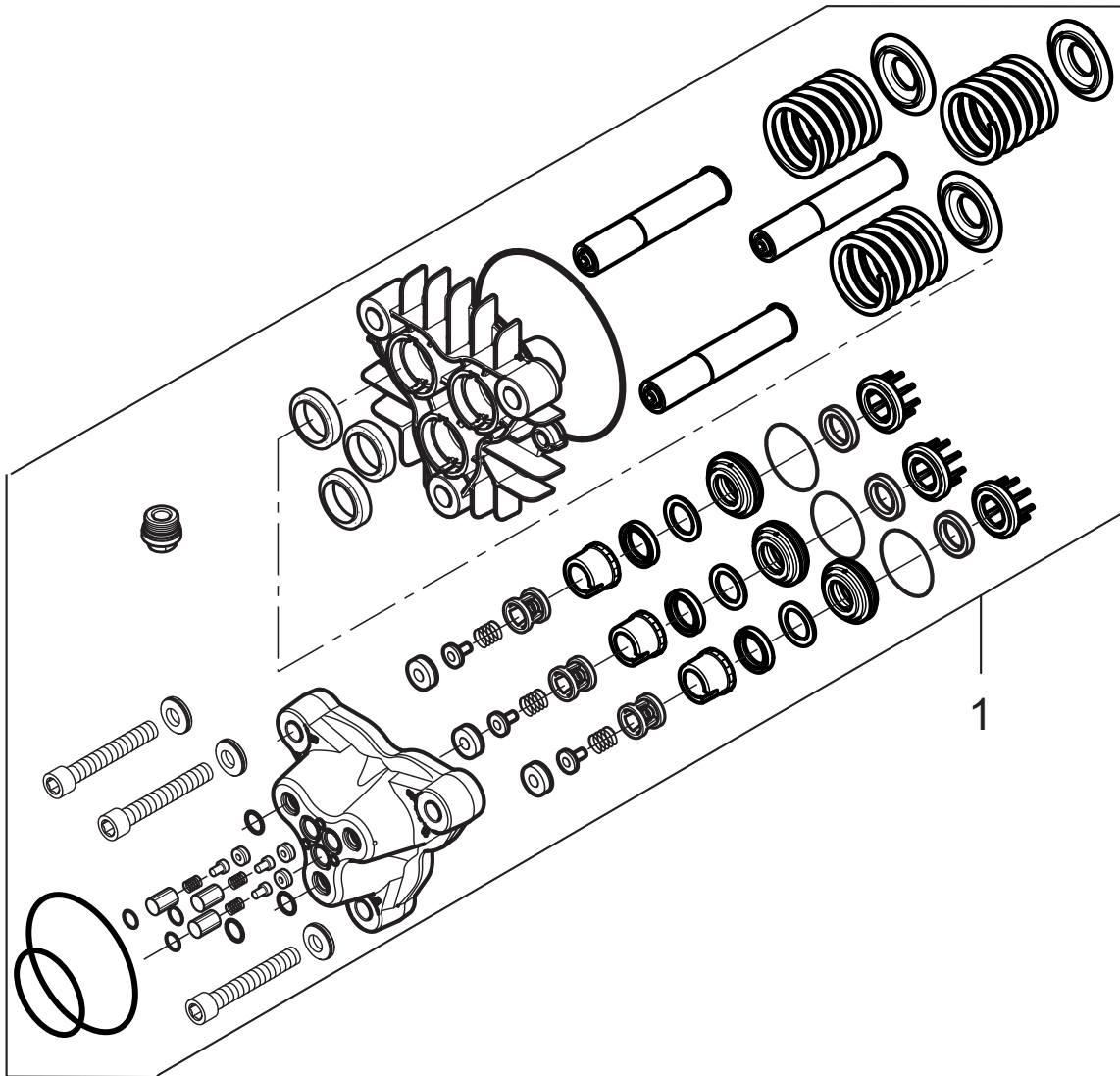
- [1] - 5-47 PA – MC 5M 170/980 PA
5-56 PA - MC 5M 200/1050 PA
5-56 FA - MC 5M 200/1050 FA
5-62 PA - MC 5M 220/1130 PA
5-62 FA - MC 5M 220/1130 FA(5-41 PA – MC 5M 180/840 PA)
- [2] - 5-30,
5-32 PA – MC 5M 100/770 PA
- [3] - TSB-PPW-2020-001 MH 4_MH 5M Damper Valve removed
DE TSB-PPW-2020-001 MH 4 MH 5M Dämpferkolben entfernt
TSB-PPW-2020-001 MH 4M5M_ MC 5M machine en version PA. Supression de l'anti bélier
- [4] - TSB-PPW-2017-005 Low pressure—Unloader valve for NA5.2 pump can leak internally
DE TSB-PPW-2017-005 Niederdruck-Unloader Ventil für die NA5.2 Pumpe kann...
- [5] - TSB-PPW-2017-005 Low pressure—Unloader valve for NA5.2 pump can leak internally
- [6] - 5-32, UK and 5-30, AU
TSB-PPW-2017-005 Low pressure—Unloader valve for NA5.2 pump can leak internally
- [7] - INOX



Pos.	Réf article	Qté	Désignation	Notes
1	101118091	1	RESSORT	[1]
2	101118090	1	LEVIER	
3	101118084	1	BOÎTIER ÉLECTRIQUE	
3A	107141515	3	VIS M3X8 ISO7380 FZG TORX 10	
4	101118011	1	INTERRUPTEUR	
4A	107143308	1	CABLE POUR MICRO INTERRUPTEUR MC5	
9	107140932	1	CULASSE DE BY-PASS SANS REGUL	
10	101118294	1	KIT REPARATION NA5/5.2/6/6+ PA	[2]
11	101118083	1	KIT DE RÉPARATION POUR PISTON DISTRIBUTE	
12	107144137	1	BOUCHON	
13	5100	3	VIS M6X 45	
14	107141514	1	JOINT D4 X D1.5	
15	101118295	1	KIT REP VANNE DE BYPASS POMPE NA5.2 PA	
16	101118254	1	CLAPET ANTI RETOUR POUR MONOPHASE	
19	107140933	1	SORTIE HP SANS DETERGENT	
20	8894	2	VIS M8X20 8.8 DIN	
24	1801075	1	ANNEAU DE JOINT	
25	1603101	1	COUPLEUR RAPIDE M 3/8 INOX	[3]
25	1600493	1	RACCORD RAPIDE MALE HP EN 3/8	

Part Notes:

- [1] - 5-41 PA – MC 5M 180/840 PA
5-53 PA - MC 5M 200/1000 PA
- [2] - TSB-PPW-2017-005 Low pressure—Unloader valve for NA5.2 pump can leak internally
DE TSB-PPW-2017-005 Niederdruck-Unloader Ventil für die NA5.2 Pumpe kann...
- [3] - INOX



Pos.	Réf article	Qté	Désignation	Notes
1	101118324	1	KIT POMPE NA5.2	[1]

Part Notes:

[1] - TSB-PPW-2020-003 NA5 pump THRUST COLLAR changed

Pos.	Réf article	Qté	Désignation	Notes
1	106403122	1	PISTOLET ERGO 2000 STANDARD	[1]
1	106403154	1	POIGNEE PISTOLET ERGO 2000 W/O	[2]
2	106403010	1	LANCE TORNADO PLUS COURBEE L112	[3]
3	101119741	1	BUSE TORNADO PLUS 0500	[4]
3	101119746	1	BUSE TORNADO PLUS 0650	[5]
3	101119742	1	BUSE TORNADO PLUS 0530	[6]
3	101119738	1	BUSE TORNADO PLUS 0400	[7]
3	301150005	1	BUSE TORNADO PLUS 0475	[8]
4	106403003	1	LANCE TURBOHAMMER PLUS L104 W12 0500	[9]
4	106402291	1	LANCE TURBOHAMMER PLUS L113 W11 0500	[10]
4	65437	1	TURBOBUSE 040	[7]
5	101405770	1	FLEXIBLE HP 10M DN8 2X3/8M+ERGO FEMELLE	[11]
5	101406175	1	FLEXIBLE HP 15M DN6 2X3/8M+ERGO FEMELLE	[12]
5	301001101	1	FLEXIBLE HP 20M DN8 2X3/8M+ERGO FEMELLE	[13]
5	301001100	1	FLEXIBLE HP 15M DN8 2X3/8M+ERGO FEMELLE	[11]
10	106403142	1	FILTRE AVEC SUPPORT	[14]
11	106403165	1	FILTRE POUR KIT BAC TAMPON	[15]
12	106403143	1	KIT ENROULEUR DE FLEXIBLE - SS FLEXIBLE	[16]
13	101118105	1	GUIDE DE FLEXIBLE	[16]
14	106403145	1	KIT ROUE AV AVEC FREIN	[17]
15	106403144	1	KIT BAC TAMPON	[18]
16	106403160	1	CROCHET DE LEVAGE 1000KG 50CM	[19]
17	106403162	1	RESERVOIR DETERGENT 2,5L - AVEC BOUCHON	[20]
18	106403166	1	LOW PUMP OIL SAFETY FUNCTION FOR POS. 5	[21]

Part Notes:

- [1] - ERGO 2000 Spray handle
- [2] - UNITOR
- [3] - TORNADO PLUS lance
- [4] - 5-47 J, 5-53, 5-56
- [5] - 5-52 US
- [6] - 5-62
- [7] - 5-41
- [8] - 5-32
- [9] - 5-32

- [10] - TURBOHAMMER PLUS lance
5-53
TURBOHAMMER PLUS lance
- [11] - HOSES Overview
- [12] - POSEIDON 5-41 PAXT, 5-53 PAXT
HOSES Overview
- [13] - POSEIDON 5- 62 PAXT
HOSES Overview
- [14] - SANDFILTER KIT POSEIDON 5-6-7 from September 2012
- [15] - PRUNED-NO REPLACEMENT
SANDFILTER FOR WBT POSEIDON 5-6-7 from September 2012
- [16] - Hose reel
- [17] - PRUNED-NO REPLACEMENT
106403145 - Front wheel kit
- [18] - PRUNED-NO REPLACEMENT
106403144 - WATER BRAKE TANK POSEIDON 5-6-7 from September 2012
- [19] - PRUNED ACCESSORY

Crane roundsling 1000kg 50cm
- [20] - 106403162 - Detergent tank with safety cap
- [21] - PRUNED-NO REPLACEMENT

106403166 - Low pump oil safety function for POSEIDON 5

Pos.	Réf article	Qté	Désignation	Notes
	101118106	1	KIT BLOCAGE D ENROULEUR	
	101118111	1	HOSE GUIDE KIT	
	101118102	1	MANIVELLE	
	107141632	1	SUPPORT	
	107141668	1	PIÈCE DE RACCORDEMENT	
	107141652	1	FLEXIBLE DE MANOMETRE POUR MODELE PA	
	107141679	1	HOSE GUIDE SLEEVE OPEN	
	107141676	1	RACCORD	
	107141663	1	RUBBER GROMMET	
	107141635	1	BIDON A DETERGENT 2.5 L SANS BOUCHON	
	107141664	1	BOUCHON POUR BIDON A DETERGENT	
	107141670	1	TUYAU	
	107141667	1	CIRCLIP	
	107141629	1	SUPPORT	
	107141650	1	SUPPORT	
	107141634	1	BOÎTIER	
	101118103	1	HOSE GUIDE PARTS KIT	
	107141633	1	TERMINAL BLOCK 4Q PE	
	107141648	1	MANOMETRE 0-300 BAR	
	107141630	1	SUPPORT LANCES	
	107141653	1	FLEXIBLE DE MANOMETRE POUR MODELE FA	
	101118104	1	KIT LOQUET A RESSORT	
	101118101	1	MONTURE DE POIGNÉE	
	107141615	1	RUBBER FOOT	
	107141627	1	VIS K50X40 T20	
0A	101118080	1	JEU DE JOINTS	
0A	107144100	1	KIT CLAPETS NA 5	
0A	101118083	1	KIT DE RÉPARATION POUR PISTON DISTRIBUTE	
0A	101118314	1	Kit clapet de recyclage gros débit	[1]
0A	107144102	1	JEU DE JOINTS DE PISTONS	
0A	101118050	1	KIT JOINT BY-PASS	
0A	3004221	1	JOINT TORIQUE D16X2.0	
0A	101118056	1	CLAPET DE RECYCLAGE	[2]
0A	101118055	1	PISTON DE FLUSSOSTAT	
0A	101117926	1	FILTRE	
0B	101118295	1	KIT REP VANNE DE BYPASS POMPE NA5.2 PA	
0B	101118294	1	KIT REPARATION NA5/5.2/6/6+ PA	
0B	107144104	1	JEU DE PIÈCES DE RESSORT	
0B	101118239	1	KIT PISTONS NA5.2	
0B	106408216	1	CONTACT FLUSSOSTAT	
0B	107144112	1	INJECTEUR	
0C	101118242	1	KIT ROULEMENTS DISQ.OBLIQ.10.9 DEG.NA5.2	
0C	101118247	1	KIT ROULEMENTS DISQ.OBLIQ.8.7 DEG.NA5.2	
0C	101118245	1	KIT ROULEMENTS DISQ.OBLIQ.9.5 DEG.NA5.2	
0C	101118241	1	KIT ROULEMENTS DISQ.OBLIQUE 12 DEG.NA5.2	
0C	101118246	1	KIT ROULEMENTS DISQ.OBLIQ.8.4 DEG.NA5.2	
0C	101118249	1	KIT ROULEMENTS DISQ.OBLIQ.7.2 DEG.NA5.2	
0C	101118243	1	KIT ROULEMENTS DISQ.OBLIQ.10.2 DEG.NA5.2	
0C	101118051	1	BOUCHON BY-PASS NA5/NA6	
0C	301000263	1	FUSIBLE	
0C	301001058	1	INTERRUPTEUR 0-1 10A 400VAC	
0C	107142761	1	RELAIS DE DEMARRAGE RVA4G0C	
0C	107141957	1	MOTOR 4KW 200/3/50-60HZ JP 5-47 JP	
0C	101118091	1	RESSORT	
0C	101118117	1	KIT PISTON BY-PASS	
0C	31000149	1	ROULEMENT ARRIERE DE POMPE RF	
0C	107141619	1	CONDENSATEUR 170MF	
0C	103822303	1	CONTACTEUR CJX2-D18 18A 400V 3P+NO	
0C	301000402	1	RÉSISTANCE 15 KΩ	

Pos.	Réf article	Qté	Désignation	Notes
0C	31000151	1	ROULEMENT	
0C	101118089	1	KIT DE RÉPARATION SOUPE	
0C	107143182	1	CONDENSATEUR 70UF 450/500V RP-3	
0C	107141954	1	MOTEUR 5.5 KW 220/230-400/440/3/50/60 EU	
0C	101118090	1	LEVIER	
0C	107141956	1	MOTEUR 2.2 KW/230/1 50HZ	
0C	64773	1	CONTACT AUXILIAIRE 100-SBL11	
0C	101118011	1	INTERRUPTEUR	
0C	103822314	1	CONTACTEUR ÉLECTROMAGNÉTIQUE 100-C30KF10	
0C	107141953	1	MOTOR 6.7KW 220-440/230-400/3 50/60HZ-EU	
0C	101118078	1	JEU BRIDE	
0C	63910	1	CONTACTEUR ÉLECTROMAGNÉTIQUE 100-C23KF10	
0C	1119406	1	SOUPE ANTIROTOR	
0C	106408189	1	ECROU DE REGLAGE	
0C	107141955	1	MOTOR 5.2 KW/220/1 60HZ 5-52 US	
0C	107141967	1	KIT COUVERCLE POMPE AVEC ROULEMENT NA5.2	
0C	103822304	1	CONTACTEUR CJX2-D18 18A 230V 3P+NO	
0C	107141958	1	MOTOR 4KW 230-400/220-440 3/50-60HZ NA5	
0C	107141666	1	CARTE ELECTRONIQUE POSEIDON 5/6/7	

Part Notes:

- [1] - TSB-PPW-2020-001 MH 4_MH 5M Damper Valve removed
 [2] - Spring included: OD8,2 x L9,3 x d0,5

