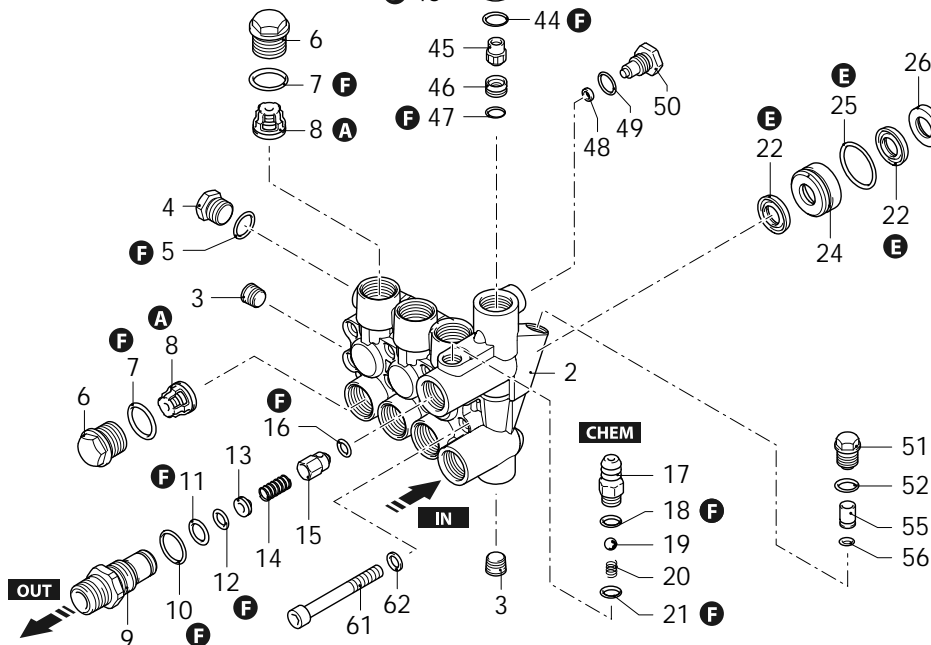
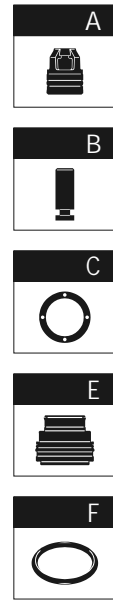
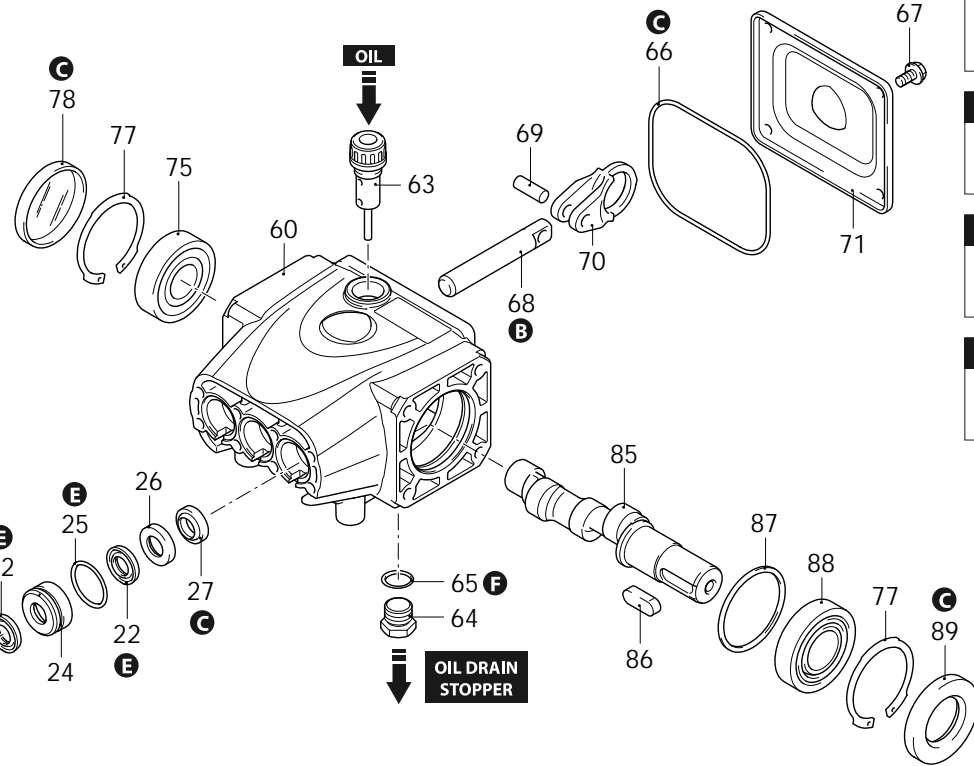
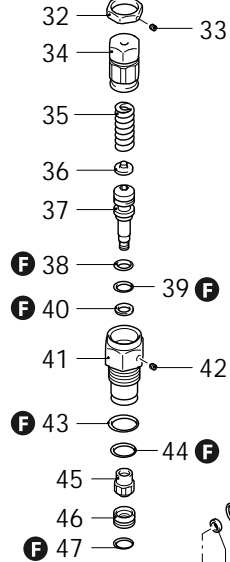
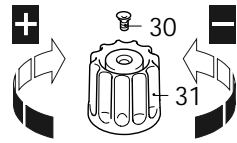
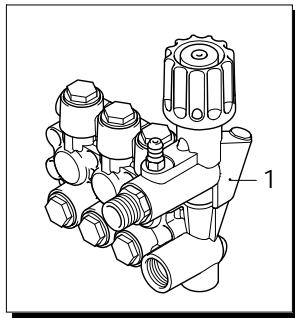




Series 414

HJRS

2800rpm



AR_s414-04_012

05/06/2026



P	Code	Description	Q	Assembly prescription	Validity	P	Code	Description	Q	Assembly prescription	Validity
1	4149201	Head assembly	Ø 12	1		42	3800310	Screw	1	STEI M4X4	
2	4140650	Head		1		43	740290	O-ring	1	Ø 14x1,78	Lubricate with grease Molykote PG54
3	2760260	Plug	1/4" G	1	Loxeal 55-14	44	820510	O-ring	1	Ø 10,82x1,78	
4	2841800	Plug		1	C=8Nm / Loxeal 55-14	45	3800230	Piston	1	lower	C=3Nm / Loxeal 55-14
5	3700250	O-ring	Ø 8x1,1	1	Lubricate with grease Molykote PG54 / 80 Sha	46	2841080	Seat	1		
6	2840130	Plug		6	C=25Nm / Loxeal 55-14	47	1470210	O-ring	1	Ø 9x1	
7	2841520	O-ring	Ø 13,5x1,8	6		48	1120681	O-ring	1	Ø 3,39x1,78	Lubricate with grease Molykote G807
8	2849051	Complete valve	plastic	6		49	600180	O-ring	1	Ø 7,66x1,78	
9	2760230	Fitting	3/8" G (M)	1	C=40Nm / Loxeal 55-14	50	1344950	Plug	1		C=8Nm
10	394280	O-ring	Ø 12,42x1,78	1	Lubricate with grease Molykote PG54	51	3720730	Plug	1		
11	2760270	O-ring	Ø 12x1	1	Lubricate with grease Molykote PG54	52	1682800	O-ring	1	Ø 6x1,5	
12	1470210	O-ring	Ø 9x1	1		55	3721210	Seat	1		
13	2760120	Injector	Ø 2,0	1		56	3720750	O-ring	1	Ø 4x1	
14	2760200	Spring		1		60	4140010	Pump body	1		
15	2761511	Shutter		1		61	1345180	Screw	8	TCEI M5x40	C=6,2Nm
16	2101770	O-ring	Ø 4x2,5	1	90 Sh	62	4140140	Washer	8		
17	3700240	Hose tail	Ø 8	1	C=4Nm	63	4140210	Oil plug	1	with oil dipstick	
18	480480	O-ring	Ø 4,48x1,78	1		64	2841800	Plug	1		C=8Nm / Loxeal 55-14
19	1250280	Ball		1		65	3700250	O-ring	1	Ø 8x1,1	Lubricate with grease Molykote PG54 / 80 Sha
20	1560520	Spring		1		66	4140090	O-ring	1		
21	3700250	O-ring	Ø 8x1,1	1	Lubricate with grease Molykote PG54 / 80 Sha	67	4140270	Screw	4	TE 5x8	
22	2200141	Water seal	Ø 12	6		68	4140060	Piston	3	Ø 12	
24	2840550	Bushing	Ø 12	3		69	4140070	Pin	3		
25	770590	O-ring	Ø 21,95x1,78	3	Lubricate with grease Molykote PG54	70	4140080	Connecting-rod	3	aluminium	Lubricate with grease Molykote BR2 PLUS
26	2841390	Bushing	rear Ø 12	3		71	4140030	Cover	1		
27	1683500	Oil seal		3		75	4140110	Bearing	1		
30	3800250	Screw	TSEI M4x8	1	C=3Nm / Loxeal 55-14	77	4140360	Ring	2	seeger Øi 47	
31	3800180	Knob		1		78	4140150	Cover	1		
32	3800200	Nut	M16x1	1		85	4140280	Shaft	1	2 marked	
33	3800240	Screw	STEI M3x4	1		86	1380520	Key	1		
34	3800190	Screw		1		87	4140190	Ring	1		
35	2760410	Spring		1	Lubricate with grease Molykote BR2 PLUS	88	4140100	Bearing	1		
36	1980220	Wobble plate		1		89	4140200	Oil seal	1		
37	4140170	Piston		1	Lubricate with grease Molykote PG54	A	43478	Valve kit	1		
38	2260100	O-ring	Ø 6,02x2,62	1	Lubricate with grease Molykote PG54	B	43479	Piston kit	1	Ø 12	
39	660190	O-ring	Ø 6,07x1,78	1	Lubricate with grease Molykote PG54	C	43480	Oil seal kit	1		
40	2760210	Ring	anti-extrusion	1		E	43481	Water seal kit	1	Ø 12	
41	3800210	Piston guide		1	C=15Nm / Loxeal 55-14	F	43482	Gasket kit	1		

Revision: 1

Oil type: SAE 15W40

Validity: < XX/YY = From week/year

Date: 05/06/2026

Oil quantity: 0,154 Kg

C= Tightening torque (Tolerance +0 ÷ -10%)

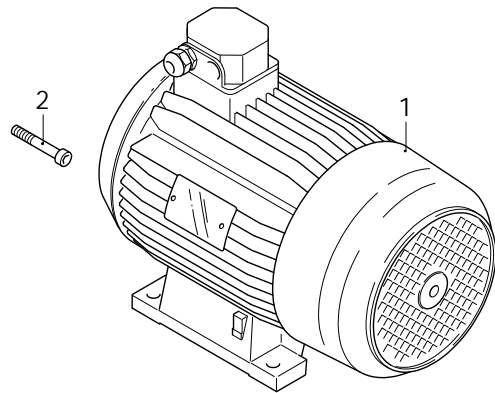
* = Not present for electric pump



Series 414

HJRS

2800rpm



AR_motore-04_v01

05/06/2026



Series 414

HJRS

2800rpm

P	Code	Description	Q	Assembly prescription	Validity	P	Code	Description	Q	Assembly prescription	Validity
1	45064	Motor	1	4 HP							
2	880280	Screw	4	C=10Nm / Loxeal 55-14							

Revision: 1

Oil type: SAE 15W40

Validity: < XX/YY = From week/year

Date: 05/06/2026

Oil quantity: 0,154 Kg

C= Tightening torque (Tolerance +0 ÷ -10%)

** = Not present for electric pump*