

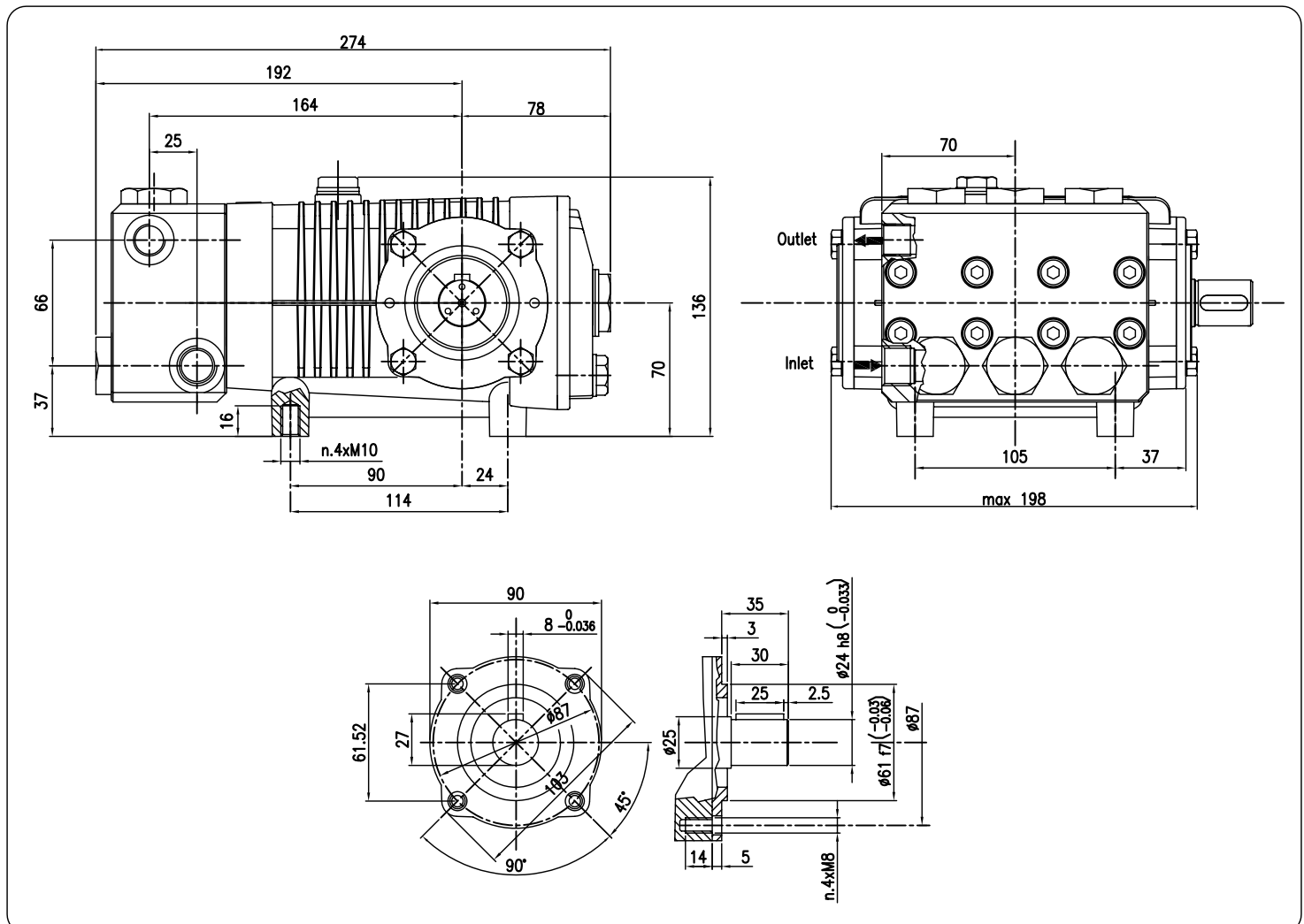
ES125I  
 ES15I  
 ES18I  
 ES21I  
 ES1220I  
 ES1520I  
 ES1820I  
 ES2120I

**HAWK**  
*Pompe ES serie 2010*  
*ES pumps 2010 series*

Pump Pompe Pumpen Pompa	Pressure Pression Druck Pressione		Volume Débit Leistung Portata		RPM tours/min u.p.m. giri/min	Required HP Puissance HP Leistung HP Potenza HP	Inlet port Entrée Eingang Aspirazione	Outlet Sortie Ausgang Mandata	Weight Kg Poids Kg Gewicht Kg Peso Kg	Max Water t Max t Eau Max Wasser t t Max Acqua
	bar	PSI	l/min	GPM						
ES125I	150	2175	12.5		1450	4.8	G 1/2	G 3/8	11.4	85 °C
				4.0	1740	5.8				
ES15I	150	2175	15.0		1450	5.8	G 1/2	G 3/8	11.4	85 °C
				4.7	1740	6.9				
ES18I	150	2175	18.0		1450	6.9	G 1/2	G 3/8	11.4	85 °C
				5.6	1740	8.3				
ES21I	150	2175	21.0		1450	8.1	G 1/2	G 3/8	11.4	85 °C
				6.6	1740	9.7				
ES1220I	200	3000	12.5		1450	6.4	G 1/2	G 3/8	11.4	65 °C
				4.0	1740	7.5				
ES1520I	200	3000	15.0		1450	7.7	G 1/2	G 3/8	11.4	65 °C
				4.7	1740	9.2				
ES1820I	200	3000	18.0		1450	9.2	G 1/2	G 3/8	11.4	65 °C
				5.6	1740	11.0				
ES2120I	200	3000	21.0		1450	10.7	G 1/2	G 3/8	11.4	65 °C
				6.6	1740	12.8				

Dimensioni d' ingombro

Overall dimensions



Lubrificazione: Olio SAE 20/40W  
Capacità 0.7 Litri

Lubrication: SAE 20/40W Oil  
Capacity 0.7 Litri

**PARTS LIST**



**ES pumps 01/2010 series**



Item	Part Number	Description	Q.ty by Pump	ES125I	ES15I	ES18I	ES21I	ES1220I	ES1520I	ES1820I	ES2120I
1	0202.33	Crankcase	1								
2	0602.01	Plunger guide	3								
*3	0001.03	Plunger oil seal	3								
*4	0601.07	"O" Ring Ø1.78x31.47	3								
*5	1201.44	Pressure ring 20mm	3								
*6	0002.52	"U" seal, dia.20mm	3								
*7	0300.66	Intermediate ring 20mm	3								
*8	0002.60	"U" seal, dia.20mm	3								
*11	1601.54	Inox plug G1/2	1								
*12	0603.07	Copper washer	1								
*13	1602.31	Manifold housing	1								
*14	0601.19	"O" Ring Ø2.62x17.13	6								
*15	3604.74	Valve assembly	6								
*16	0601.65	"O" Ring Ø2.62x20.29	6								
*17	1601.55	Valve plug	6	◆	◆	◆	◆	◆	◆	◆	◆
18	1801.02	Manifold stud bolt	8								
19	1400.54	Washer	16								
*20	0603.06	Copper washer	1								
*21	1601.53	Inox plug G3/8	1								
22	1503.01	Valve seat	6								
23	1202.01	Valve plate	6								
24	0900.38	Valve spring	6								
25	0604.05	Valve cage	6								
26	1801.19	Hexagonal screw	8								
27	0500.60	Bearing housing	1								
28	0500.61	Closed bearing housing	1								
29	0601.63	"O" Ring Ø1.78x60,05	2								
30	0001.02	Crankshaft seal	1								
31	0200.06	Roller bearing	2								
32	0004.50	Single - ended shaft	1			◆				◆	
	0004.56	" " "	1	◆				◆			
	0004.57	" " "	1		◆				◆		
	0004.82	" " "	1				◆				◆
33	0206.00	Crankshaft key	1								
34	1600.02	Oil dip stick	1								
35	0301.02	Shim	1								
*36	1800.10	Plunger bolt	3								
*37	1400.12	Copper spacer	3	◆	◆	◆	◆	◆	◆	◆	◆
*38	0601.03	"O" Ring Ø1.78x7.66	3								
*39	0009.04	Teflon ring	3								
*40	1200.10	Plunger 20mm	3								
*41	1400.15	Copper spacer	3								
*42	0003.01	Plunger rod	3					◆	◆	◆	◆
	0003.27	Plunger rod	3	◆	◆	◆	◆				
*43	0100.01	Connecting rod	3								
*44	1502.01	Connecting rod pin	3								
*45	1801.05	Connecting rod screw	6								
*46	1500.01	Snap ring	6	◆	◆	◆	◆	◆	◆	◆	◆
*47	1401.02	Spring washer	6								
48	0601.88	"O" ring Ø 2,62x126,67	1								
49	0203.53	Crankcase cover	1								
50	0601.14	"O" Ring Ø1.78x14	1								

**PARTS LIST**

**ES pumps 01/2010 series**

Item	Part Number	Description	1	ES125I	ES15I	ES18I	ES21I	ES1220I	ES1520I	ES1820I	ES2120I
51	1601.17	Brass plug G3/4	1								
52	0700.05	Sight glass, G3/4	1	◆	◆	◆	◆	◆	◆	◆	◆
53	1801.12	Cover screw	4								

  **Part available in kit only**

  **Part available in kit also**

**SPARE PARTS KIT**

Included Positions	Part Number & Description	Q.ty by Pump	ES125I	ES15I	ES18I	ES21I	ES1220I	ES1520I	ES1820I	ES2120I
4- 6- 8	2600.36 Plunger Seals 20mm	1								
3- 4- 5- 6- 7- 8	2600.54 Complete Seals Packing 20mm	3								
36- 37- 38- 39 40- 41	2600.55 Plunger 20mm	3	◆	◆	◆	◆	◆	◆	◆	◆
14- 15- 17	2600.56 Complete Valve	6								
3	2608.03 Plunger oil Seals	1								
4- 5- 6- 7- 8- 11 12- 13- 14- 15 16- 17- 20- 21	2600.57 Complete Manifold	1								
42- 43- 44- 45 46- 47	3100.01 Conn.rod-plun.rod assy	3					◆	◆	◆	◆
42- 43- 44- 45 46- 47	3100.27 Conn.rod-plun.rod assy	3	◆	◆	◆	◆				

Pos.	Codice	Descrizione	Q.tà per Pompa	ES125I	ES15I	ES18I	ES21I	ES1220I	ES1520I	ES1820I	ES2120I
1	0202.33	Carter	1								
2	0602.01	Guida asta pistone	3								
*3	0001.03	Anello radiale	3								
*4	0601.07	"O" Ring Ø1.78x31.47	3								
*5	1201.44	Pressore Ø20	3								
*6	0002.52	Anello tenuta "U" Ø20	3								
*7	0300.66	Diffusore Interm. Ø20	3								
*8	0002.60	Anello tenuta "U" Ø20	3								
*11	1601.54	Tappo G1/2 inox	1								
*12	0603.07	Guarnizione rame	1								
*13	1602.31	Testata	1								
*14	0601.19	"O" Ring Ø2.62x17.13	6								
*15	3604.74	Valvola premontata	6								
*16	0601.65	"O" Ring Ø2.62x20.29	6								
*17	1601.55	Tappo valvola	6	◆	◆	◆	◆	◆	◆	◆	◆
18	1801.02	Vite M8x65 inox A2 70	8								
19	1400.54	Rosetta Ø8.5	16								
*20	0603.06	Guarnizione rame	1								
*21	1601.53	Tappo G3/8 inox	1								
22	1503.01	Sede valvola	6								
23	1202.01	Piattello valvola	6								
24	0900.38	Molla valvola	6								
25	0604.05	Gabbia valvola	6								
26	1801.19	Vite M8x18	8								
27	0500.60	Flangia	1								
28	0500.61	Flangia chiusa	1								
29	0601.63	"O" Ring Ø1.78x60,05	2								
30	0001.02	Anello radiale	1								
31	0200.06	Cuscinetto a rulli	2								
32	0004.50	Albero singola P.d.F.	1			◆				◆	
	0004.56	" " "	1	◆				◆			
	0004.57	" " "	1		◆				◆		
	0004.82	" " "	1				◆				◆
33	0206.00	Chiavetta	1								
34	1600.02	Tappo livello olio	1								
35	0301.02	Distanziale	1								
*36	1800.10	Vite pistone	3								
*37	1400.12	Rosetta rame	3	◆	◆	◆	◆	◆	◆	◆	◆
*38	0601.03	"O" Ring Ø1.78x7.66	3								
*39	0009.04	Anello antiestrusione	3								
*40	1200.10	Pistone Ø20	3								
*41	1400.15	Rosetta rame	3								
*42	0003.01	Asta pistone	3					◆	◆	◆	◆
	0003.27	Asta pistone	3	◆	◆	◆	◆				
*43	0100.01	Biella	3								
*44	1502.01	Spinotto	3								
*45	1801.05	Vite M6x25	6								
*46	1500.01	Anello Ø10	6								
*47	1401.02	Rosetta elastica Ø6	6	◆	◆	◆	◆	◆	◆	◆	◆
48	0601.88	"O" ring Ø 2,62x126,67	1								
49	0203.53	Coperchio posteriore	1								
50	0601.14	"O" Ring Ø1.78x14	1								

# LISTA RICAMBI

Pompe ES serie 01/2010

Pos.	Codice	Descrizione	Q.tà per Pompa	ES125I	ES15I	ES18I	ES21I	ES1220I	ES1520I	ES1820I	ES2120I
51	1601.17	Tappo G3/8 ottone	1								
52	0700.05	Spia livello olio G3/4	1	◆	◆	◆	◆	◆	◆	◆	◆
53	1801.12	Vite M6x16	4								

**Particol. disponibile solo in kit**

**\* Particol. disponibile anche in kit**

# KIT RICAMBI

Posizioni incluse	Descrizione	Q.tà per Pompa	ES125I	ES15I	ES18I	ES21I	ES1220I	ES1520I	ES1820I	ES2120I
4- 6- 8	2600.36 Guarnizioni pistone Ø20	1								
3- 4- 5- 6- 7- 8	2600.54 Pacco completo Guarnizioni pistone Ø20	3								
36- 37- 38- 39 40- 41	2600.55 Pistone Ø20	3	◆	◆	◆	◆	◆	◆	◆	◆
14- 15- 16	2600.56 Valvola completa	6								
3	2608.03 Anelli tenuta olio Asta	1								
4- 5- 6- 7- 8- 11 12- 13- 14- 15 16- 17- 20- 21	2600.57 Testata Completa	1								
42- 43- 44- 45 46- 47	3100.01 Premontato biella-asta	3					◆	◆	◆	◆
42- 43- 44- 45 46- 47	3100.27 Premontato biella-asta	3	◆	◆	◆	◆				