



INTERPUMP GROUP



| | | | |
|--------------|--|-------------|---|
| I GB F | ISTRUZIONI D'USO INSTRUCTIONS FOR USE MODE D'EMPLOI | D E P | BEDIENUNGSANLEITUNG INSTRUCCIONES DE USO INSTRUÇÕES DE USO |
|--------------|--|-------------|---|

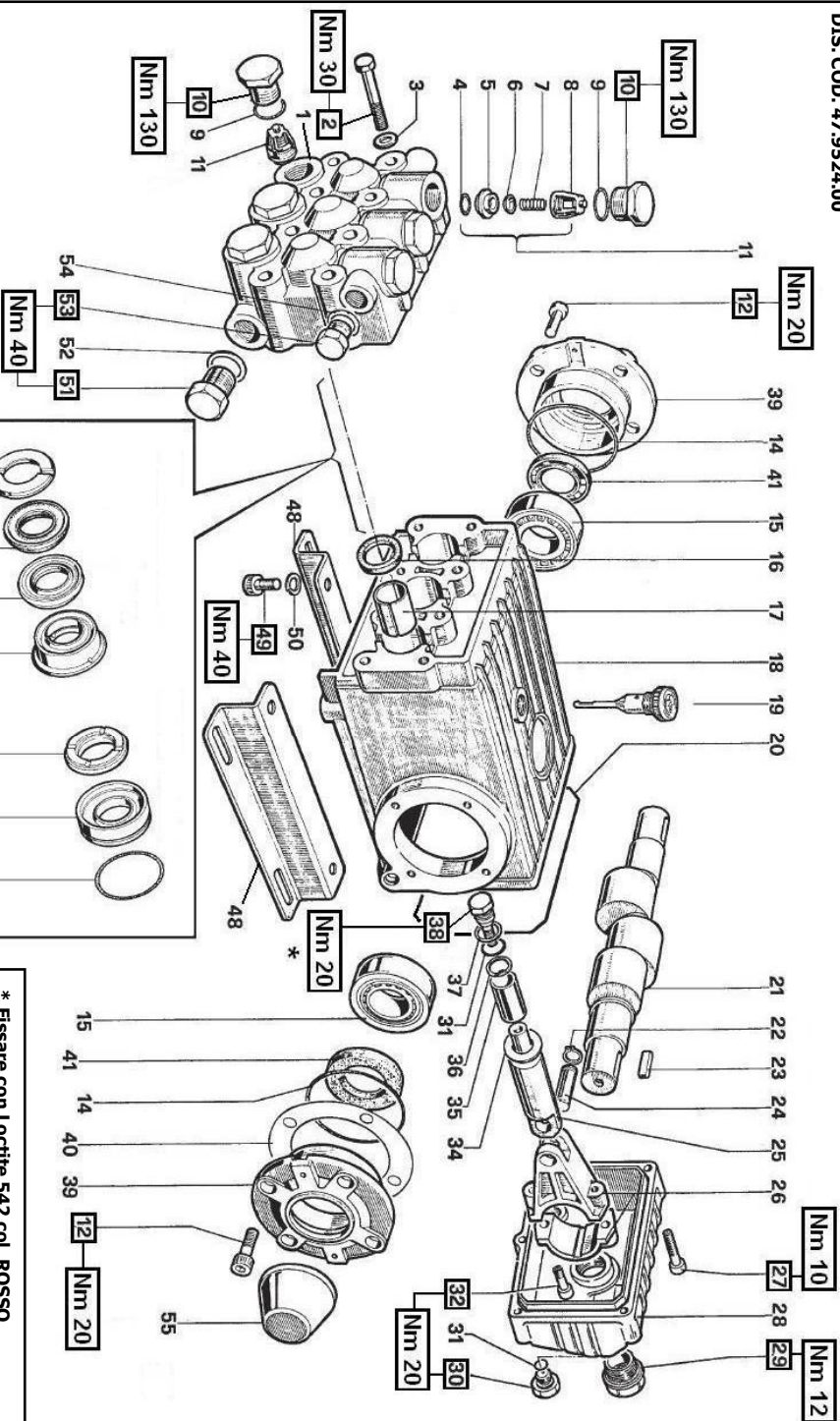
Questo manuale deve essere letto e compreso in accordo al libretto generico "Istruzioni d'uso e manutenzione".
 This manual must be read and followed in accordance with the generic "Instructions for Use and Maintenance" booklet.
 Ce manuel doit être lu et compris en accord avec la notice générale " Mode d'emploi et d'entretien ".
 Dieses Handbuch ist in Verbindung mit dem allgemeinen Handbuch " Gebrauchs- und Wartungsanleitung " zu lesen und zu verstehen.
 Este manual debe leerse y comprenderse de acuerdo con el manual general "Instrucciones de uso y mantenimiento"
 Este manual deve ser lido e interpretado de acordo com o livro genérico "Instruções de uso e manutenção"

47

S E R I E S

| Modello Model Modèle Modell Modelo Modelo | Portata Flow rate Débit Förderstrom Caudal Flujo | | Pressione Pressure Pression Druck Presión Pressão | | | g/m rpm t/m upm r/m r/m | Potenza Power Puissance Leistung Potencia Poder | | Peso Weight Poids Gewicht Peso Peso | | |
|--|---|------|--|------|------|--|--|------|--|------|-----|
| | L/min | gpm | bar | MPa | psi | | Hp | kW | Kg | Ibs | |
| W101 | 15 | 3.96 | 100 | 10 | 1450 | 1000 | 4.0 | 2.94 | 14.0 | 30.8 | 1.0 |
| W131 | 15 | 3.96 | 130 | 13 | 1885 | 1000 | 5.5 | 4.04 | 14.5 | 31.9 | 1.1 |
| W151 | 15 | 3.96 | 150 | 15 | 2175 | 1000 | 5.5 | 4.04 | 14.5 | 31.9 | 1.1 |
| W201 | 15 | 3.96 | 200 | 20 | 2900 | 1000 | 7.5 | 5.51 | 14.5 | 31.9 | 1.1 |
| W92 | 18 | 4.75 | 90 | 9 | 1300 | 1000 | 4.0 | 2.94 | 14.0 | 30.8 | 1.0 |
| W132 | 18 | 4.75 | 130 | 13 | 1885 | 1000 | 5.5 | 4.04 | 14.5 | 31.9 | 1.1 |
| W162 | 18 | 4.75 | 160 | 16 | 2320 | 1000 | 7.5 | 5.51 | 14.5 | 31.9 | 1.1 |
| WS133 | 13 | 3.43 | 120 | 12 | 1750 | 1450 | 4.0 | 2.94 | 14.0 | 30.8 | 1.0 |
| WS171 | 13 | 3.43 | 170 | 17 | 2465 | 1450 | 5.5 | 4.04 | 14.5 | 31.9 | 1.1 |
| WS101 | 15 | 3.96 | 100 | 10 | 1450 | 1450 | 4.0 | 2.94 | 14.0 | 30.8 | 1.0 |
| WS131 | 15 | 3.96 | 130 | 13 | 1885 | 1450 | 5.5 | 4.04 | 14.5 | 31.9 | 1.1 |
| WS151 | 15 | 3.96 | 150 | 15 | 2175 | 1450 | 5.5 | 4.04 | 14.5 | 31.9 | 1.1 |
| WS201 | 15 | 3.96 | 200 | 20 | 2900 | 1450 | 7.5 | 5.51 | 14.5 | 31.9 | 1.1 |
| WS92 | 18 | 4.75 | 90 | 9 | 1300 | 1450 | 4.0 | 2.94 | 14.0 | 30.8 | 1.0 |
| WS162 | 18 | 4.75 | 160 | 16 | 2320 | 1450 | 7.5 | 5.51 | 14.5 | 31.9 | 1.1 |
| WS132 | 18.7 | 4.94 | 120 | 12 | 1750 | 1450 | 5.5 | 4.04 | 14.5 | 31.9 | 1.1 |
| WS82 | 21 | 5.55 | 80 | 8 | 1160 | 1450 | 4.0 | 2.94 | 14.0 | 30.8 | 1.0 |
| WS102 | 21 | 5.55 | 100 | 10 | 1450 | 1450 | 5.5 | 4.04 | 14.5 | 31.9 | 1.1 |
| WS152 | 21 | 5.55 | 150 | 15 | 2175 | 1450 | 7.5 | 5.51 | 14.5 | 31.9 | 1.1 |
| WS202 | 21 | 5.55 | 200 | 20 | 2900 | 1450 | 10.0 | 7.35 | 14.5 | 31.9 | 1.1 |
| W913 | 15 | 3.96 | 130 | 13 | 1885 | 1750 | 5.0 | 3.67 | 14.0 | 30.8 | 1.0 |
| W921 | 15 | 3.96 | 200 | 20 | 2900 | 1750 | 7.5 | 5.51 | 14.5 | 31.9 | 1.1 |
| W928 T9281 | 15 | 3.96 | 275 | 27.5 | 4000 | 1750 | 11.0 | 8.08 | 14.5 | 31.9 | 1.1 |
| W912 | 18 | 4.75 | 100 | 10 | 1450 | 1750 | 5.0 | 3.67 | 14.0 | 30.8 | 1.0 |
| W916 | 18 | 4.75 | 160 | 16 | 2320 | 1750 | 7.5 | 5.51 | 14.5 | 31.9 | 1.1 |
| W914 | 21 | 5.55 | 100 | 10 | 1450 | 1750 | 5.5 | 4.04 | 14.5 | 31.9 | 1.1 |
| W922 | 21 | 5.55 | 200 | 20 | 2900 | 1750 | 10.0 | 7.35 | 14.5 | 31.9 | 1.1 |

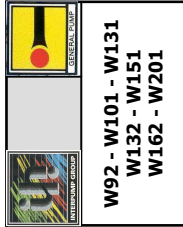




CON ALBERO A DOPPIA PRESA DI FORZA
WITH DOUBLE-SIDED SHAFT

- * Fissare con Loctite 542 col. ROSSO
- * Affix with Loctite 542 col. RED
- * Fixer avec de la Loctite 542 couleur ROUGE
- * Mit Loctite 542 ROT befestigen
- * Fijar con Loctite 542 col. ROJO
- * Fixar com Loctite 542 cor. VERMELHA

KIT RICAMBI – SPARE KITS



| OTTONE BRASS | | | | PISTONE - PISTON Ø20 | | | | PISTONE - PISTON Ø22 | | | | |
|----------------------|-------|-------|--------|----------------------|----------------------|-------------------------------|-------------|----------------------|--------|-------------------------------|-------------|---------|
| KIT 6 | KIT 4 | KIT 5 | NICKEL | KIT 7 | KIT 10 | KIT 28 | KIT 69 | KIT 11 | KIT 14 | KIT 29 | KIT 148 | KIT 149 |
| 31-34 36-37 38 | 9-10 | 9-10 | | 45 | 42-43 46-47 56 | 42-43 44-45 46-47 56 | 44-47 56 | 45 | 42-43 | 42-43 44-45 46-47 56 | 44-47 56 | 46-47 |
| 3 | 6 | 6 | | 6 | 3 | 1 | 3 | 6 | 3 | 1 | 3 | 3 |

| POS | COD. | DESCRIZIONE - DESCRIPTION - KIT | NR |
|-----|--|---|-------------|
| 19 | 98.2106.00 | Tappo carico olio G 3/8" | 1 |
| 20 | 90.3922.00 | OR Ø 133.02x2.62 (3525) | 1 |
| 21 | 47.0200.35 47.0201.35 47.0211.35 | Albero - D. PTO - W92-W101 Albero - D. PTO - W132-W151-W162-W201 Albero - D. PTO - W131 | 1 1 1 |
| 22 | 90.0557.00 | Anello di fermo Ø 12 | 6 |
| 23 | 91.4878.00 | Linguetta 8x7x25 UNI 6604 | 1 |
| 24 | 97.7380.00 | Spinotto Ø 13x35 | 3 |
| 25 | 47.0503.56 47.0504.66 47.0505.54 | Guida pistone - W162-W201 Guida pistone - W92-W101 Guida pistone - W132-W131-W151 | 3 3 3 |
| 26 | 47.0300.01 | Biella completa | 3 |
| 27 | 99.1837.00 99.1912.00 | Vite M6x14 UNI 5931 - W92-W101 Vite M6x30 UNI 5931 - W132-W131 W151-W162-W201 | 5 5 |
| 28 | 47.1600.22 47.1601.22 | Coperchio carter - W92-W101 Coperchio carter - W132-W131-W151 W162-W201 | 1 1 |
| 29 | 97.5968.00 | Spia livello olio G 3/4" | 1 |
| 30 | 98.2042.50 | Tappo G 1/4"x9 TE17 - Zinc. | 1 |
| 31 | 90.3585.00 | OR Ø 10.82x1.78 (2043) | 6 |
| 32 | 99.3099.00 | Vite M8x35 UNI 5931 | 6 |
| 34 | 96.7286.00 | Rosetta Ø 14x28x0.5 | 6 |
| 35 | 47.0404.09 47.0405.09 | Pistone Ø 20 Pistone Ø 22 | 3 3 |
| 36 | 90.5067.00 | Anello antiest. Ø 11x14x1.5 | 6 |
| 37 | 96.7280.00 | Rosetta Ø 14x18.5x0.5 | 6 |

| PISTONE - PISTON Ø20 | | PISTONE - PISTON Ø22 | |
|----------------------|-----------------------------|----------------------|--|
| OTTONE BRASS | W101 - W131 W151 | W92 - W132 | |
| NICKEL | W201 | W162 | |

| POS | COD. | DESCRIZIONE - DESCRIPTION - KIT | NR |
|-----|--------------------------|---|--------|
| 1 | 47.1201.41 47.1202.41 | Testata Ø 20-22 Testata Ø 20-22 - NICKEL | 1 1 |
| 2 | 99.3206.00 | Vite M8x70 UNI 5737 | 8 |
| 3 | 96.7020.00 | Rosetta Ø 8 UNI 1736 | 8 |
| 4 | 90.3841.00 | OR Ø 17.13x2.62 (3068) | 1 |
| 5 | 36.2003.66 | Seede valvola | 1 |
| 6 | 36.2001.76 | Valvola | 1 |
| 7 | 94.7376.00 | Molla Ø 9.4x14.8 | 1 |
| 8 | 36.2002.51 | Guida valvola | 1 |
| 9 | 90.3847.00 | OR Ø 20.24x2.62 (3081) | 4-5 |
| 10 | 98.2220.00 98.2222.00 | Tappo M24x2x16.5 Tappo M24x2x16.5 - NICKEL | 4 5 |
| 11 | 36.7032.01 | Gruppo valvola | 1 |
| 12 | 99.3039.00 | Vite M8x16 UNI 5931 | 8 |
| 14 | 90.3913.00 | OR Ø 67.95x2.62 (3325) | 2 |
| 15 | 91.8375.00 | Cuscinetto a rulli 32206 | 2 |
| 16 | 90.1625.00 | Anello rad. Ø 22x32x2.5 | 2 |
| 17 | 90.9126.00 | Boccola Ø 22x25x30 | 3 |
| 18 | 47.0100.22 | Carter pompa | 1 |

| POS | COD. | DESCRIZIONE - DESCRIPTION - KIT | NR |
|-----|--------------------------|--|------------------------|
| 38 | 47.2195.66 | Vite fissaggio pistone | 6 |
| 39 | 47.1510.22 | Coperchio cuscinetto | 2 |
| 40 | 97.5678.00 | Spessore | 2 |
| 41 | 90.1648.00 | Anello rad. Ø 30x55x7 | 3 |
| 42 | 90.3616.00 | OR Ø 34.65x1.78 (2137) | 10-14-28-29 |
| 43 | 47.0805.70 47.0806.70 | Anello di fondo Ø 20 Anello di fondo Ø 22 | 10-28 14-29 |
| 44 | 90.2725.00 | Anello tenuta Ø 20 HP Anello tenuta Ø 22 HP | 28-69 29-148 |
| 45 | 47.1000.51 46.1000.51 | Anello di testa Ø 20 Anello di testa Ø 22 | 7-28 11-29 |
| 46 | 47.2169.70 47.2170.70 | Anello intermedio Ø 20 Anello intermedio Ø 22 | 28-71 29-149 |
| 47 | 90.2704.00 90.2730.00 | Anello RESTOP Ø 20 Anello RESTOP Ø 22 | 28-69-71 29-148-149 |
| 48 | 47.2000.74 | Piedino | 2 |
| 49 | 99.3644.00 | Vite M10x18 UNI 5931 | 4 |
| 50 | 96.7106.00 | Rosetta Ø 10 DIN 7980 | 4 |
| 51 | 98.2176.00 | Tappo G 1/2"x10 | 1 |
| 52 | 96.7514.00 | Rosetta Ø 21.5x27x1.5 | 1 |
| 53 | 98.2100.00 | Tappo G 3/8"x13 | 1 |
| 54 | 96.7380.00 | Rosetta Ø 17.5x23x1.5 | 1 |
| 55 | 47.2124.51 | Cappello PTO | 1 |
| 56 | 90.2710.00 90.2728.00 | Anello tenuta Ø 20 LP Anello tenuta Ø 22 LP | 28-69 29-148 |



WS8-2 - WS101 - WS133
W912 - W913 - WS102
WS131 - WS151
WS171 - WS201 - W916
WS152 - WS202 - W921
W914 - W922

| PISTONE - PISTON Ø20 | |
|----------------------|--|
| OTTONE | WS82 - WS101 - WS133 W912 - W913 - WS102 WS131 - WS151 - WS171 W914 |
| BRASS | WS201 - W916 - WS152 WS202 - W921 - W922 |
| NICKEL | |

| KIT RICAMBI - SPARE KITS | | | | | | |
|---|-----------------|-------|-------|----------------------|-------|-------|
| KIT Nr. | KIT 1 | KIT 2 | KIT 3 | KIT 6 | KIT 4 | KIT 5 |
| Posizioni Include Positions Included | 4-5 6-7 8 | 16 | 41 | 31-34 36-37 38 | 9-10 | 9-10 |
| Nr. Pcs. | 6 | 3 | 2 | 3 | 6 | 6 |

| OTTONE | NICKEL | PISTONE - PISTON Ø20 | | | | | | |
|--------|--------|----------------------|-------|-------|-------------------------------|-------------|--------|--------|
| BRASS | | KIT 4 | KIT 5 | KIT 7 | KIT 10 | KIT 28 | KIT 69 | KIT 71 |
| | | | | | 42-43 44-45 46-47 56 | 44-47 56 | 46-47 | |
| | | 6 | 6 | 6 | 3 | 1 | 3 | 3 |

| POS | COD. | DESCRIZIONE - DESCRIPTION - KIT | NR |
|-----|------------|-------------------------------------|----|
| 1 | 47.1201.41 | Testata Ø 20 - NICKEL | 1 |
| 2 | 99.3206.00 | Vite M8x70 UNI 5737 | 8 |
| 3 | 96.7020.00 | Rosetta Ø 8 UNI 1736 | 8 |
| 4 | 90.3841.00 | OR Ø 17.13x2.62 (3068) | 6 |
| 5 | 36.2003.66 | Segte valvola | 6 |
| 6 | 36.2001.76 | Valvola | 6 |
| 7 | 94.7376.00 | Molla Ø 9,4x14,8 | 6 |
| 8 | 36.2002.51 | Guida valvola | 6 |
| 9 | 90.3847.00 | OR Ø 20,24x2,62 (3081) | 6 |
| 10 | 98.2222.00 | Tappo M2,4x2x1,6,5 - NICKEL | 6 |
| 11 | 36.7032.01 | Gruppo valvola | 6 |
| 12 | 99.3039.00 | Vite M8x16 UNI 5931 | 8 |
| 13 | 47.1511.22 | Coperchio cuscinetto | 1 |
| 14 | 90.3913.00 | OR Ø 67,95x2,62 (3325) | 2 |
| 15 | 91.8375.00 | Cuscinetto 32206 | 2 |
| 16 | 91.8377.00 | Cuscinetto 32206 - WS152-WS202-W921 | 2 |
| 17 | 90.1625.00 | Anello rad. Ø 22x32x2,5 | 3 |
| 18 | 47.0100.22 | Carter pompa | 1 |
| 19 | 98.2106.00 | Tappo carico olio G 3/8" | 1 |
| 20 | 90.3922.00 | OR Ø 133,02x2,62 (3525) | 1 |

| POS | COD. | DESCRIZIONE - DESCRIPTION - KIT | NR |
|-----|------------|--|----|
| 21 | 47.0204.35 | Albero - WS102 | 1 |
| | 47.0206.35 | Albero - WS151-WS201-W916-W914 | 1 |
| | 47.0210.35 | Albero - WS131 | 1 |
| | 47.0215.35 | Albero - WS171 | 1 |
| | 47.0217.35 | Albero - WS82-WS152-WS202 | 1 |
| | 47.0218.35 | Albero - WS101-W912 | 1 |
| | 47.0219.35 | Albero - WS133-W913-W921 | 1 |
| | 47.0230.35 | Albero - W914-W922 | 1 |
| 22 | 90.0557.00 | Anello di ferro Ø 12 | 6 |
| 23 | 91.4890.00 | Linguetta 8x7x35 UNI 6604 | 1 |
| 24 | 97.7380.00 | Spinnotto Ø 13x35 | 3 |
| 25 | 47.0503.56 | Guida pistone - WS201-W916-WS152-W922 WS202-W921 | 3 |
| | 47.0504.66 | Guida pistone - WS82-WS101-WS133-W912 W913 | 3 |
| | 47.0505.54 | Guida pistone - WS102-WS131-WS151 WS171-W914 | 3 |
| 26 | 47.0300.01 | Bielletta completa | 3 |
| 27 | 99.1837.00 | Vite M6x14 UNI 5931 - WS82-WS101 WS133-W912-W913 Vite M6x30 UNI 5931 - WS102-WS131 WS151-WS171-WS201-W916-WS152-WS202 W921-W914-W922 | 5 |
| 28 | 47.1601.22 | Coperchio carter - WS82-WS101-WS133 W912-W913 Coperchio carter - WS102-WS131-WS151 WS171-WS201-W916-WS152-WS202-W921 W914-W922 | 1 |
| 29 | 97.5968.00 | Spia livello olio G 3/4" | 1 |
| 30 | 98.2042.50 | Tappo G 1/4" x9 TE17 - Zinc. | 1 |
| 31 | 90.3585.00 | OR Ø 10,82x1,78 (2043) | 4 |
| 32 | 99.3099.00 | Vite M8x35 UNI 5931 | 6 |
| 34 | 96.7286.00 | Rosetta Ø 14x28x0,5 | 3 |
| 35 | 47.0404.09 | Pistone Ø 20 | 3 |

| POS | COD. | DESCRIZIONE - DESCRIPTION - KIT | NR |
|-----|------------|---------------------------------|-------|
| 36 | 90.5067.00 | Anello antist. Ø 11x14x1,5 | 6 |
| 37 | 96.7280.00 | Rosetta Ø 14x18,5x0,5 | 6 |
| 38 | 47.2195.66 | Vite fissaggio pistone | 6 |
| 39 | 47.1510.22 | Coperchio cuscinetto | 1 |
| 40 | 97.5678.00 | Spessore | 2 |
| 41 | 90.1648.00 | Anello rad. Ø 30x55x7 | 3 |
| 42 | 90.5616.00 | OR Ø 34,65x1,78 (2137) | 3 |
| 43 | 47.0805.70 | Anello di fondo Ø 20 | 3 |
| 44 | 90.2705.00 | Anello tenuta Ø 20 H.P. | 3 |
| 45 | 47.1000.51 | Anello di testa Ø 20 | 3 |
| 46 | 47.2169.70 | Anello intermedio Ø 20 | 3 |
| 47 | 90.2704.00 | Anello RESTOP Ø 20 | 3 |
| 48 | 47.2000.74 | Piedino | 2 |
| 49 | 99.5644.00 | Vite M10x18 UNI 5931 | 4 |
| 50 | 96.7106.00 | Rosetta Ø 10 DIN 7980 | 4 |
| 51 | 98.2176.00 | Tappo G 1/2" x10 | 1 |
| 52 | 96.514.00 | Rosetta Ø 21,5x27x1,5 | 1 |
| 53 | 98.2100.00 | Tappo G 3/8" x13 | 1 |
| 54 | 96.7380.00 | Rosetta Ø 17,5x23x1,5 | 1 |
| 56 | 90.2710.00 | Anello tenuta Ø 20 L.P. | 28-69 |

| | | | |
|-----|------------|---------------------------------|-----|
| POS | COD. | DESCRIZIONE - DESCRIPTION - KIT | NR |
| 1 | 47.1201.41 | Testata Ø 22 | 1 |
| | 47.1202.41 | Testata Ø 22 - NICKEL | 1 |
| 2 | 99.3206.00 | Vite M8x70 UNI 5737 | 8 |
| 3 | 96.7020.00 | Rosetta Ø 8 UNI 1736 | 8 |
| 4 | 90.3841.00 | OR Ø 17,13x2,62 (3068) | 1 |
| 5 | 36.2003.66 | Sede valvola | 1 |
| 6 | 36.2001.76 | Valvola | 1 |
| 7 | 94.7376.00 | Molla Ø 9,4x14,8 | 1 |
| 8 | 36.2002.51 | Guida valvola | 1 |
| 9 | 90.3847.00 | OR Ø 20,24x2,62 (3081) | 4-5 |
| 10 | 98.2220.00 | Tappo M24x2x16,5 | 4 |
| | 98.2222.00 | Tappo M24x2x16,5 - NICKEL | 5 |
| 11 | 36.7032.01 | Gruppo valvola | 1 |
| 12 | 99.3039.00 | Vite M8x16 UNI 5931 | 8 |
| 13 | 47.1511.22 | Coperchio cuscinetto | 1 |
| 14 | 90.3913.00 | OR Ø 67,95x2,62 (325) | 2 |
| 15 | 91.8375.00 | Cuscinetto 32206 | 2 |
| 16 | 90.1625.00 | Anello rad. Ø 22x2x2,5 | 2 |
| 17 | 90.9126.00 | Boccola Ø 22x25x30 | 3 |
| 18 | 47.0100.22 | Carter pompa | 1 |
| 19 | 98.2106.00 | Tappo carico olio G 3/8" | 1 |
| 20 | 90.3922.00 | OR Ø 133,02x2,62 (3525) | 1 |
| 21 | 47.0206.35 | Albero - WS132-WS162 | 1 |
| | 47.0218.35 | Albero - WS92 | 1 |

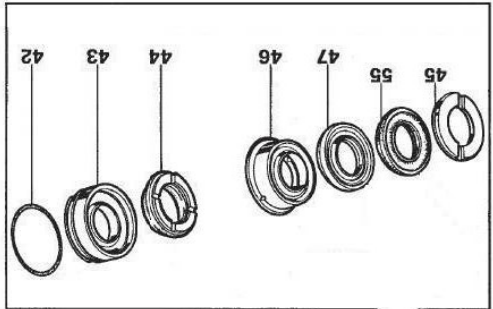
| | | | |
|-----|------------|-----------------------------------|-------|
| POS | COD. | DESCRIZIONE - DESCRIPTION - KIT | NR |
| 22 | 90.0557.00 | Anello di fermo Ø 12 | 6 |
| 23 | 91.4890.00 | Linguetta 8x7x35 UNI 6604 | 1 |
| 24 | 97.7380.00 | Spinotto Ø 13x35 | 3 |
| 25 | 47.0503.56 | Guida pistone - WS162 | 3 |
| | 47.0504.66 | Guida pistone - WS92 | 3 |
| | 47.0505.54 | Guida pistone - WS132 | 3 |
| 26 | 47.0300.01 | Bielia completa | 3 |
| 27 | 99.1837.00 | Vite M6x14 UNI 5931 - WS92 | 5 |
| | 99.1912.00 | Vite M6x30 UNI 5931 - WS132-WS162 | 5 |
| 28 | 47.1600.22 | Coperchio carter - WS92 | 1 |
| | 47.1601.22 | Coperchio carter - WS132-WS162 | 1 |
| 29 | 97.5968.00 | Spia livello olio G 3/4" | 1 |
| 30 | 98.2042.50 | Tappo G 1/4"x9 TEL7 - Zinc. | 1 |
| 31 | 90.3585.00 | OR Ø 10,82x1,78 (2043) | 6 |
| 32 | 99.3099.00 | Vite M8x35 UNI 5931 | 6 |
| 34 | 96.7286.00 | Rosetta Ø 14x28x0,5 | 6 |
| 35 | 47.0405.09 | Pistone Ø 22 | 3 |
| 36 | 90.5067.00 | Anello antest. Ø 11x14x1,5 | 6 |
| 37 | 96.7280.00 | Rosetta Ø 14x18,5x0,5 | 6 |
| 38 | 47.2195.66 | Vite fissaggio pistone | 6 |
| 39 | 47.1510.22 | Coperchio cuscinetto | 1 |
| 40 | 97.5678.00 | Spessore | 2 |
| 41 | 90.1648.00 | Anello rad. Ø 30x55x7 | 3 |
| 42 | 90.3616.00 | OR Ø 34,65x1,78 (2137) | 14-29 |

| | | | |
|-----|------------|---------------------------------|------------|
| POS | COD. | DESCRIZIONE - DESCRIPTION - KIT | NR |
| 43 | 47.0806.70 | Anello di fondo Ø 22 | 14-29 |
| 44 | 90.2725.00 | Anello tenuta Ø 22 HP | 29-148 |
| 45 | 46.1000.51 | Anello di testa Ø 22 | 11-29 |
| 46 | 47.2170.70 | Anello intermedio Ø 22 | 29-149 |
| 47 | 90.2730.00 | Anello RESTOP Ø 22 | 29-148-149 |
| 48 | 47.2000.74 | Piedino | 2 |
| 49 | 99.3644.00 | Vite M10x18 UNI 5931 | 4 |
| 50 | 96.7106.00 | Rosetta Ø 10 DIN 7980 | 4 |
| 51 | 98.2176.00 | Tappo G 1/2"x10 | 1 |
| 52 | 96.7514.00 | Rosetta Ø 21,5x27x1,5 | 1 |
| 53 | 98.2100.00 | Tappo G 3/8"x13 | 1 |
| 54 | 96.7380.00 | Rosetta Ø 17,5x23x1,5 | 1 |
| 56 | 90.2728.00 | Anello tenuta Ø 22 LP | 29-148 |

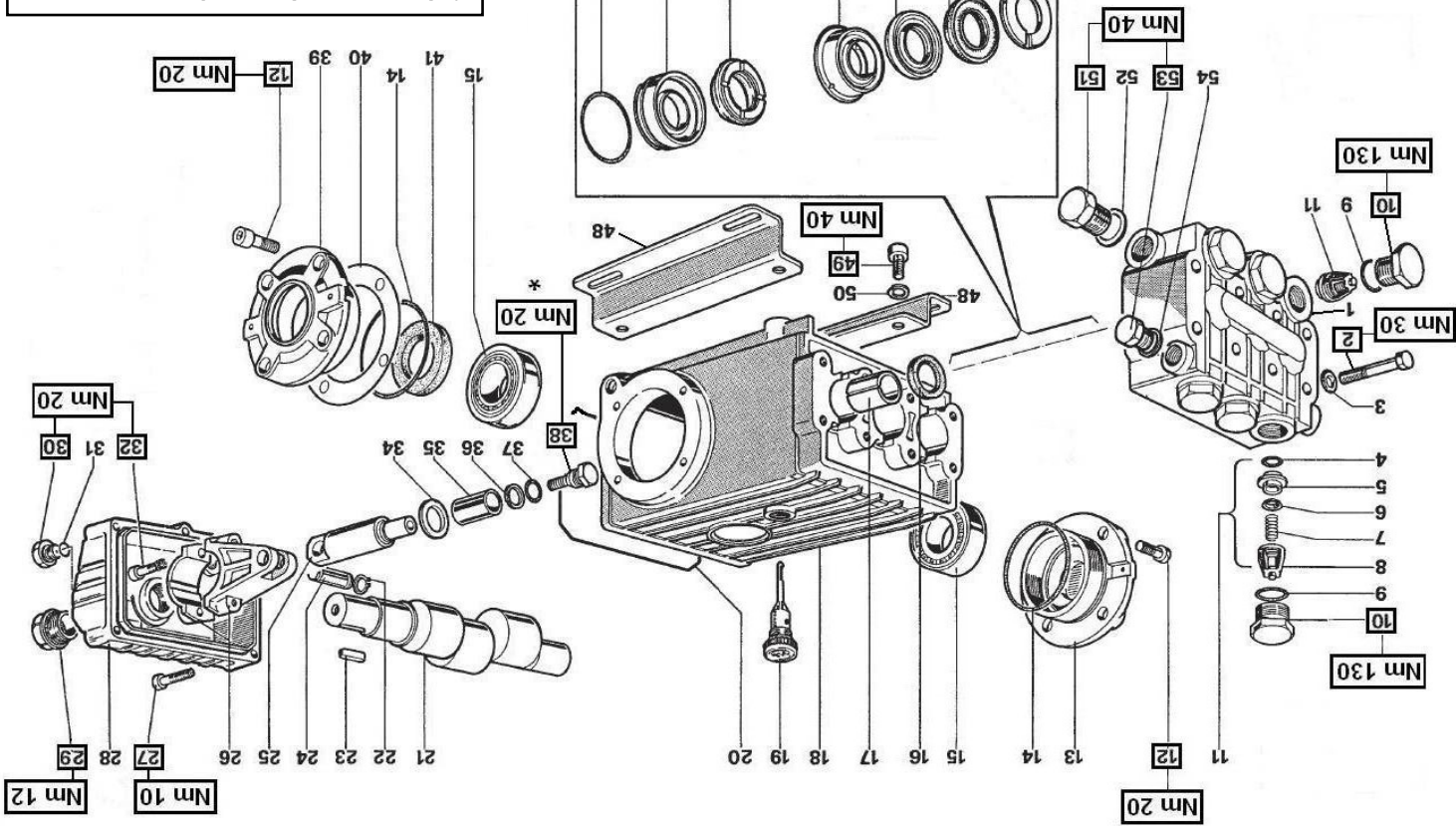


| | | |
|----------------------|--------------|--------|
| PISTONE - PISTON Ø22 | OTONE | NICKEL |
| | BRASS | WS162 |
| | WS92 - WS132 | WS162 |

| KIT RICAMBI - SPARE KITS | | | | | | | | | | | |
|--------------------------|---------|--------|--------|--------|-------|-------|-------|-------|-------|-------|----------------------------------|
| PISTONE - PISTON Ø22 | | NICKEL | | OTONE | | BRASS | | | | | |
| KIT 149 | KIT 148 | KIT 29 | KIT 14 | KIT 11 | KIT 5 | KIT 4 | KIT 6 | KIT 3 | KIT 2 | KIT 1 | Nr. Pcs. included Positions (11) |
| 44-47 | 56 | 44-45 | 42-43 | 45 | 6 | 6 | 6 | 3 | 2 | 6 | 4-5 6-7 8 |
| 46-47 | 56 | 44-45 | 42-43 | 45 | 6 | 6 | 6 | 3 | 2 | 6 | 31-34 36-37 38 |



* Fissare con Loctite 542 col. ROSSO
 * Affix with Loctite 542 col. RED
 * Fixer avec de la Loctite 542 couleur ROUGE
 * Mit Loctite 542 ROT befestigen
 * Fijar con Loctite 542 col. ROJO
 * Fixar com Loctite 542 cor. VERMELHA



| KIT Nr. | Positioni incluse 6-7 8 (11) | Nr. Pcs. |
|---------|---------------------------------------|----------|
| KIT 1 | 4-5 | 6 |
| KIT 2 | 16 | 3 |
| KIT 3 | 41 | 2 |
| KIT 106 | 9-10 | 6 |
| KIT 107 | 36-37 | 3 |
| KIT 108 | 45 | 6 |
| KIT 109 | 44-47 | 3 |
| KIT 110 | 46 | 3 |
| KIT 111 | 42-43 | 3 |
| KIT 112 | 42-45 46-47 55 | 1 |

KIT RICAMBI – SPARE KITS

| POS | COD. | DESCRIZIONE – DESCRIPTION - KIT |
|-----|------------|-----------------------------------|
| 55 | 90.2642.00 | Anello tenuta Ø 16 H.P. 109-112 3 |
| 54 | 96.7380.00 | Rosetta Ø 17,5x23x1,5 1 |
| 53 | 98.2100.00 | Tappo G 3/8"x13 1 |
| 52 | 96.7514.00 | Rosetta Ø 21,5x27x1,5 1 |
| 51 | 98.2176.00 | Tappo G 1/2"x10 1 |
| 50 | 96.7106.00 | Rosetta Ø 10 DIN 7980 4 |
| 49 | 99.3644.00 | Vite M10x18 UNI 5931 4 |
| 48 | 47.2000.74 | Pedino 2 |

| POS | COD. | DESCRIZIONE – DESCRIPTION - KIT |
|-----|------------|----------------------------------|
| 24 | 97.7380.00 | Spinnotto Ø 13x35 3 |
| 25 | 47.0506.66 | Guida pistone 3 |
| 26 | 47.0300.01 | Bella completa 3 |
| 27 | 99.1912.00 | Vite M6x30 UNI 5931 5 |
| 28 | 47.1601.22 | Coperchio carter 1 |
| 29 | 97.5968.00 | Spia livello olio G 3/4" 1 |
| 30 | 98.2042.50 | Tappo G 1/4"x9 TE17 – Zinc. 1 |
| 31 | 90.3585.00 | OR Ø 10,82x1,78 (2043) 1 |
| 32 | 99.3099.00 | Vite M8x35 UNI 5931 6 |
| 34 | 47.2117.47 | Anello di protezione 3 |
| 35 | 47.0408.56 | Pistone Ø 16 3 |
| 36 | 90.5033.00 | Anello antest. Ø 8x11x1,5 107 3 |
| 37 | 90.3577.00 | OR Ø 7,66x1,78 – Spec. 107 3 |
| 38 | 47.2196.66 | Vite fissaggio pistone 107 3 |
| 39 | 47.1510.22 | Coperchio cuscinetto 1 |
| 40 | 97.5678.00 | Spessore 2 |
| 41 | 90.1648.00 | Anello rad. Ø 30x55x7 3 1 |
| 42 | 90.3616.00 | OR Ø 34,65x1,78 (2137) 111-112 3 |
| 43 | 47.0808.70 | Anello di fondo Ø 16 111-112 3 |
| 44 | 90.2644.00 | Anello tenuta Ø 16 LP 109-112 3 |
| 45 | 47.1003.51 | Anello di testa Ø 16 108-112 3 |
| 46 | 47.2172.70 | Anello intermedio Ø 16 110-112 3 |
| 47 | 90.2643.00 | Anello RESTOP Ø 16 109-112 3 |

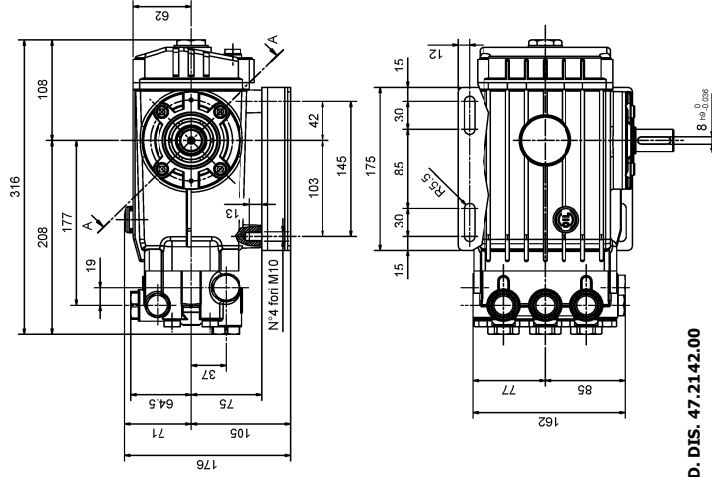


W928 - T9281

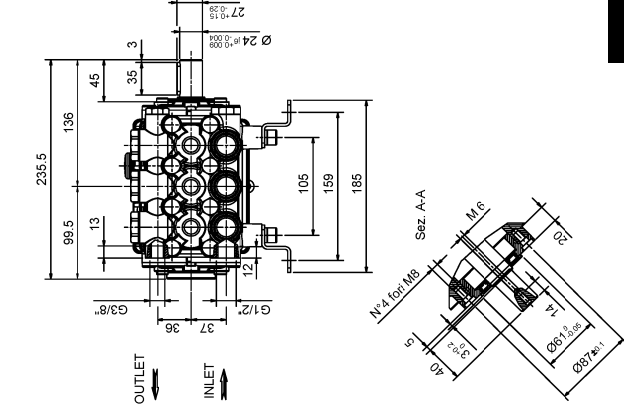


| POS | COD. | DESCRIZIONE – DESCRIPTION - KIT |
|-----|------------|---------------------------------|
| 1 | 47.1214.41 | Testata Ø 16 - NICKEL 1 |
| 2 | 99.3206.00 | Vite M8x70 UNI 5737 8 |
| 3 | 96.7020.00 | Rosetta Ø 8 UNI 1736 8 |
| 4 | 90.3841.00 | OR Ø 17,13x2,62 (3068) 1 6 |
| 5 | 36.2003.66 | Sede valvola 1 6 |
| 6 | 36.2001.76 | Valvola 1 6 |
| 7 | 94.7376.00 | Molla Ø 9,4x14,8 1 6 |
| 8 | 36.2002.51 | Guida valvola 1 6 |
| 9 | 90.3847.00 | OR Ø 20,24x2,62 (3081) 106 6 |
| 10 | 98.2224.00 | Tappo M24x1,5x17,5 – H.P. 106 6 |
| 11 | 36.7032.01 | Gruppo valvola 1 6 |
| 12 | 99.3039.00 | Vite M8x16 UNI 5931 8 |
| 13 | 47.1511.22 | Coperchio cuscinetto 1 |
| 14 | 90.3913.00 | OR Ø 67,95x2,62 (3225) 2 |
| 15 | 91.8377.00 | Cuscinetto a rulli 32206 2 |
| 16 | 90.1625.00 | Anello rad. Ø 22x32x2,5 2 3 |
| 17 | 90.9126.00 | Boccola Ø 22x25x30 3 |
| 18 | 47.0102.22 | Carter pompa 1 |
| 19 | 98.2106.00 | Tappo carter olio G 3/8" 1 |
| 20 | 90.3922.00 | OR Ø 133,02x2,62 (3252) 1 |
| 21 | 47.0217.35 | Albero 1 |
| 22 | 90.0557.00 | Anello di fermo Ø 12 6 |
| 23 | 91.4890.00 | Linguetta 8x7x35 UNI 6604 1 |

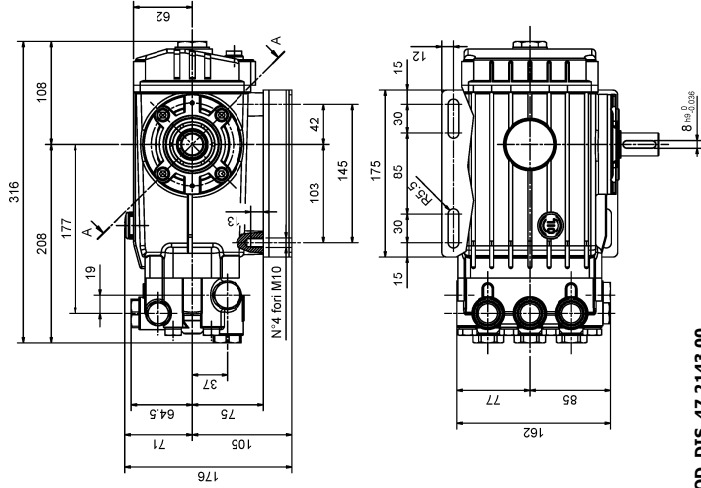
**DIMENSIONI D'INGOMBRO – OVERALL DIMENSIONS – DIMENSIONS D'ENCOMBREMENT
RAUMBEDARF – DIMENSIONES TOTALES – DIMENSÕES**



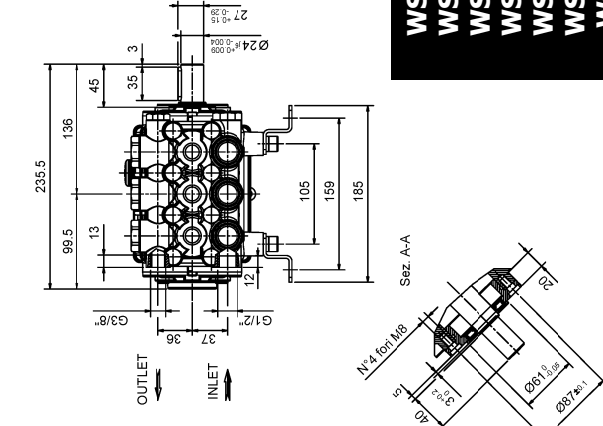
COD. DIS. 47.21.42.00



**WS102
WS152
WS201**

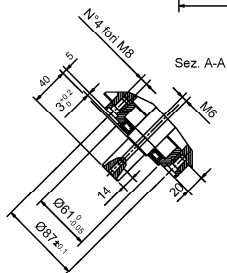
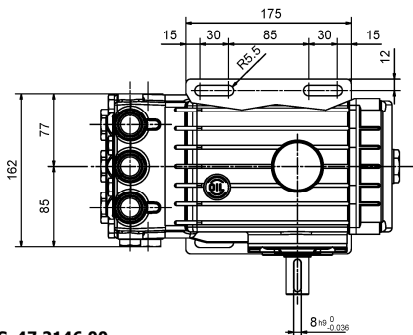
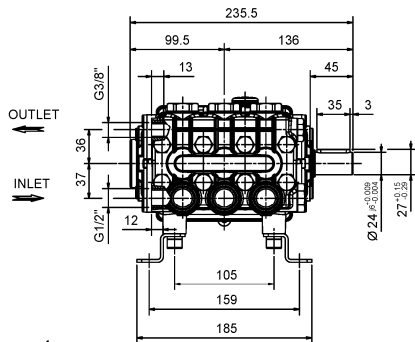
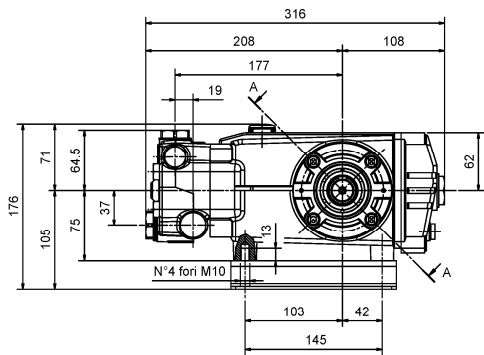


COD. DIS. 47.21.43.00



**WS131
WS132
WS151
WS162
WS171
WS201
W916
W921
W914
W922**

**DIMENSIONI D'INGOMBRO – OVERALL DIMENSIONS – DIMENSIONS D'ENCOMBREMENT
 RAUMBEDARF – DIMENSIONES TOTALES – DIMENSÕES**

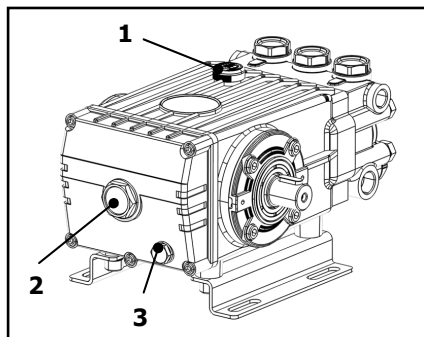


COD. DIS. 47.2146.00

**W928
T9281**

1 - CAMBIO OLIO

- 1.1 – Il cambio dell'olio va eseguito con pompa a temperatura di lavoro.
- 1.2 – Posizionare un recipiente sotto il tappo di scarico olio (3).
- 1.3 – Rimuovere il tappo con asta (1) e successivamente il tappo di scarico (3).
- 1.4 – Attendere fino a quando tutto l'olio è uscito, quindi riavvitare il tappo di scarico (3) con la coppia torcente indicata su disegno esploso.
- 1.5 – Riempire con olio nuovo fino al raggiungimento della mezzeria del tappo spia livello olio (2) e riavvitare il tappo con asta (1) .



Per il tipo di olio da utilizzare fare riferimento a quanto indicato sul libretto generico.



ATTENZIONE: L'olio esausto deve essere raccolto in recipienti e smaltito negli appositi centri in accordo alla normativa vigente. Non deve essere assolutamente disperso nell'ambiente.

1 – OIL CHANGING

- 1.1 – Oil changing must be done with the pump at operating temperature.
- 1.2 – Put a container under the oil drain plug (3).
- 1.3 – Remove the oil dipstick (1) and then the drain plug (3).
- 1.4 – Wait until all the oil has drained out, then screw the drain plug (3) and tighten at the torque shown in the exploded diagram.
- 1.5 – Fill with new oil until the middle of the oil level indicator (2) is reached, screw by hand the oil dipstick (1).

Refer to the generic booklet for the type of oil to use.



WARNING: The exhaust oil must be collected in receptacles and disposed of at authorised centres as specified by law. It must not be thrown away in the environment.

1 - CHANGEMENT DE L'HUILE

- 1.1 – Le changement de l'huile doit être exécuté avec la pompe à température d'exercice.
- 1.2 – Placer un récipient sous le bouchon de vidange de l'huile (3).
- 1.3 – Enlever le bouchon-jauge (1), puis enlever le bouchon de vidange (3).
- 1.4 – Attendre que toute l'huile soit sortie, puis revisser le bouchon de vidange (3) avec le couple de torsion qui est indiqué sur le dessin éclaté.
- 1.5 – Remplir avec de l'huile neuve jusqu'à la ligne médiane du bouchon indicateur du niveau d'huile (2), et revisser le bouchon-jauge (1).

Pour le type d'huile à utiliser, se référer à ce qui est indiqué sur la notice générale.



ATTENTION : L'huile usée doit être recueillie dans des récipients et éliminée dans les centres prévus à cet effet, conformément à la réglementation en vigueur. Il ne faut absolument pas la jeter dans l'environnement.

1 - ÖLWECHSEL

- 1.1 – Beim Ölwechsel muss die Pumpe Betriebstemperatur aufweisen.
- 1.2 – Unter den Ölablassverschluss (3) einen Behälter stellen.
- 1.3 – Den Verschluss mit dem Stab (1) und danach den Ablassverschluss (3) abnehmen.
- 1.4 – Warten, bis das gesamte Öl abgelassen ist und den Ablassverschluss (3) mit dem auf der Übersichtszeichnung angegebenen Drehmoment wieder anschrauben.
- 1.5 – Mit frischem Öl füllen, bis die Mittellinie des Ölstandkontrollverschlusses (2) erreicht ist und den Verschluss mit dem Stab (1) wieder anschrauben.

Bezüglich der verwendbaren Ölsorten siehe die Angaben im allgemeinen Handbuch.



ACHTUNG: Das Altöl muss in Behältern gesammelt und gemäß den geltenden Vorschriften bei den hierfür vorgesehenen Zentren entsorgt werden. Es darf keinesfalls umweltschädigend entsorgt werden.

1 - CAMBIO DE ACEITE

- 1.1 – El cambio de aceite se efectúa con bomba a temperatura de trabajo.
- 1.2 – Colocar un recipiente debajo del tapón de descarga de aceite (3).
- 1.3 – Extraer el tapón con varilla (1) y seguidamente el tapón de descarga (3).
- 1.4 – Esperar hasta que haya salido todo el aceite, volver a enroscar el tapón de descarga (3) con el par de torsión indicado en el despiece.
- 1.5 – Llenar con aceite nuevo hasta alcanzar la línea media del tapón indicador de nivel de aceite (2) y volver a enroscar el tapón con varilla (1).

Para el tipo de aceite que debe utilizarse, remitirse a las indicaciones del manual general.



ATENCIÓN: El aceite residual debe recogerse en recipientes y eliminarse en los centros pertinentes de acuerdo con la normativa vigente. En ningún caso debe dispersarse en el ambiente.

1 - TROCA DE ÓLEO

- 1.1 – A troca de óleo deve ser feita com a bomba na temperatura de trabalho.
- 1.2 – Posicionar um recipiente embaixo da tampa de descarga de óleo (3).
- 1.3 – Remover a tampa com o pino (1) e, em seguida, a tampa de descarga (3).
- 1.4 – Esperar que todo o óleo saia, recolocar a tampa de descarga (3) com o binário de torção indicado no desenho explodido.
- 1.5 – Encher com o óleo novo até chegar na linha da tampa de controle do nível do óleo (2) e recolocar a tampa com o pino (1).

Para o tipo de óleo a ser utilizado, consultar as indicações do livro genérico.



ATENÇÃO: O óleo consumido deve ser coletado em recipientes e eliminado nos locais adequados, de acordo com a normativa vigente. Não deve, de modo algum, ser jogado no ambiente.

DICHIARAZIONE DI INCORPORAZIONE (Ai sensi dell'allegato II della Direttiva Europea 2006/42/CE).

Il produttore **INTERPUMP GROUP S.p.A.** – Via E. Fermi, 25 – 42049 S.ILARIO D'ENZA (RE) - Italia
DICHIARA sotto la propria esclusiva responsabilità che l'attrezzatura identificata e descritta come segue :

Denominazione : Pompa

Tipo : Pompa alternativa a pistoni per acqua ad alta pressione

Marchio di fabbrica : INTERPUMP GROUP

Modello : W101 – W131 – W151 – W201 – W92 – W132

W162 – WS133 – WS171 – WS101 – WS131 – WS151 – WS201 – WS92 – WS132 – WS162 – WS82

WS102 – WS152 – WS202 – W913 – W921 – W928 – T9281 – W912 – W916 – W914 – W922 (per idropulitrici - categoria AEE elettrodomestico).

Risulta essere conforme alle sotto elencate direttive e successivi aggiornamenti :

- Direttiva Macchine 2006/42/CE.

- Direttiva sulla restrizione dell'uso di determinate sostanze pericolose nelle apparecchiature elettriche ed elettroniche 2011/65/UE – RoHS.

L'attrezzatura non contiene sostanze con restrizioni d'uso in concentrazione maggiore di quelle elencate nell'allegato II ad eccezione delle applicazioni esentate dalle restrizioni elencate nell'allegato III.

Norme applicate : UNI EN ISO 12100:2010 - UNI EN 809:2000

La pompa sopra identificata rispetta i seguenti requisiti essenziali di sicurezza e di tutela della salute elencati nel punto 1 dell'allegato I della Direttiva Macchine :

1.1.2 - 1.1.3 - 1.1.5 - 1.3.1 - 1.3.2 - 1.3.3 - 1.3.4 - 1.5.4 - 1.5.5 - 1.6.1 - 1.7.1 - 1.7.2 - 1.7.4 - 1.7.4.1 - 1.7.4.2
e la relativa documentazione tecnica è stata compilata in conformità dell'allegato VII B.

Inoltre il produttore si impegna a rendere disponibile, a seguito di una richiesta adeguatamente motivata, copia della documentazione tecnica pertinente la pompa nei modi e nei termini da definire.

La pompa non deve essere messa in servizio finché l'impianto al quale la pompa deve essere incorporata è stato dichiarato conforme alle disposizioni delle relative direttive e/o norme.

Persona autorizzata a costituire il fascicolo tecnico : Nome: Maurizio Novelli

Indirizzo: INTERPUMP GROUP S.p.A. – Via E. Fermi, 25 – 42049 S. ILARIO D'ENZA (RE) – Italia

Persona autorizzata a redigere la dichiarazione : L'amministratore delegato Ing. Paolo Marinsek

Reggio Emilia 03/2013

Firma 

DECLARATION OF INCORPORATION **(In accordance with Annex II of European Directive 2006/42/CE).**

The manufacturer **INTERPUMP GROUP S.p.A.** – Via E. Fermi, 25 – 42049 S.ILARIO D'ENZA (RE) - Italy **DECLARES** under sole responsibility that the equipment identified and described as follows :

Name : Pump

Type : Reciprocating plunger pump for high pressure water

Trademark : INTERPUMP GROUP

Model : W101 – W131 – W151 – W201 – W92 – W132

W162 – WS133 – WS171 – WS101 – WS131 – WS151 – WS201 – WS92 – WS132 – WS162 – WS82

WS102 – WS152 – WS202 – W913 – W921 – W928 – T9281 – W912 – W916 – W914 – W922

(for pressure washers - EEE category: household appliance).

Complies with the requirements of the directives listed below and subsequent updates :

- Machinery Directive 2006/42/CE.

- Directive 2011/65/EU – RoHS on the restriction of the use of certain hazardous substances in electrical and electronic equipment.

The equipment does not contain more than the specified concentrations of restricted substances listed in Annex II except for the applications exempted from the restriction listed in Annex III.

Standards applied : UNI EN ISO 12100:2010 - UNI EN 809:2000

The pump identified above meets all the essential safety and health protection requirements as listed in section 1 of Annex I of the Machinery Directive :

1.1.2 - 1.1.3 - 1.1.5 - 1.3.1 - 1.3.2 - 1.3.3 - 1.3.4 - 1.5.4 - 1.5.5 - 1.6.1 - 1.7.1 - 1.7.2 - 1.7.4 - 1.7.4.1 - 1.7.4.2
and the relevant technical documentation has been compiled in accordance with Annex VII B.

In addition, the manufacturer undertakes to make available, following a reasoned request, a copy of the relevant technical pump documentation in the manner and terms to be defined.

The pump should not be put into service until the plant to which the pump is to be incorporated has been declared in accordance with the provisions of the relevant directives and/or standards.

Person authorised to compile the technical file :

Name: Maurizio Novelli

Address : INTERPUMP GROUP S.p.A. – Via E. Fermi, 25 – 42049 S. ILARIO D'ENZA (RE) – Italy

Person authorized to draw up the declaration :

CEO Mr. Paolo Marinsek

Reggio Emilia 03/2013

Signature



DÉCLARATION D'INCORPORATION

(Conformément à l'annexe II de la Directive Européenne 2006/42/CE).

Le fabricant **INTERPUMP GROUP S.p.A.** – Via E. Fermi, 25 – 42049 S.ILARIO D'ENZA (RE) - Italie **DÉCLARE** sous sa seule responsabilité que l'équipement identifié et décrit comme suit :

Description : Pompe

Type : Pompe alternative à pistons pour eau à haute pression

Marque de fabrique : INTERPUMP GROUP

Modèle : W101 – W131 – W151 – W201 – W92 – W132

W162 – WS133 – WS171 – WS101 – WS131 – WS151 – WS201 – WS92 – WS132 – WS162 – WS82

WS102 – WS152 – WS202 – W913 – W921 – W928 – T9281 – W912 – W916 – W914 – W922 (pour nettoyeurs à haute pression - catégorie d'appareils AEE).

Est conforme aux spécifications des directives énumérées ci-dessous et mises à jour suivantes:

- Directive Machines 2006/42/CE.

- Directive relative à la limitation de l'utilisation de certaines substances dangereuses dans les équipements électriques et électroniques 2011/65/UE – RoHS.

L'équipement ne contient pas de substances assorties de restrictions concernant l'utilisation en concentration plus élevée que celles énumérées à l'annexe II, sauf pour des applications exemptées des restrictions énumérées à l'annexe III.

Normes appliquées : UNI EN ISO 12100:2010 - UNI EN 809:2000

La pompe identifiée ci-dessus répond aux exigences essentielles de sécurité et protection de la santé suivantes énumérées au point 1 de l'annexe I de la Directive Machines :

1.1.2 - 1.1.3 - 1.1.5 - 1.3.1 - 1.3.2 - 1.3.3 - 1.3.4 - 1.5.4 - 1.5.5 - 1.6.1 - 1.7.1 - 1.7.2 - 1.7.4 - 1.7.4.1 - 1.7.4.2 et la documentation technique pertinente est constituée conformément à l'annexe VII B.

De plus, le fabricant s'engage à rendre disponible, suite à une demande adéquatement motivée, une copie de la documentation technique relative à la pompe dans les modes et les termes à définir.

La pompe ne doit pas être mise en marche tant que l'installation à laquelle la pompe doit être incorporée n'a pas été déclarée conforme aux dispositions des directives et / ou normes relatives.

Personne autorisée à réaliser le manuel technique : Nom : Maurizio Novelli

Adresse : INTERPUMP GROUP S.p.A. – Via E. Fermi, 25 – 42049 S. ILARIO D'ENZA (RE) – Italie

Personne autorisée à rédiger la déclaration : L'administrateur délégué Ing. Paolo Marinsek

Reggio Emilia 03/2013

Signature 

EINBAUERKLÄRUNG

(gemäß Anhang II der Europäischen Richtlinie 2006/42/EG).

Der Hersteller **INTERPUMP GROUP S.p.A.** – Via E. Fermi, 25 – 42049 S.ILARIO D'ENZA (RE) - Italien

ERKLÄRT auf alleinige Verantwortung, dass das wie folgt bezeichnete und beschriebene Gerät :

Bezeichnung : Pumpe

Typ : Kolbenpumpe für Hochdruck-Wasser

Herstellermarke : INTERPUMP GROUP

Modell : W101 – W131 – W151 – W201 – W92 – W132

W162 – WS133 – WS171 – WS101 – WS131 – WS151 – WS201 – WS92 – WS132 – WS162 – WS82

WS102 – WS152 – WS202 – W913 – W921 – W928 – T9281 – W912 – W916 – W914 – W922 (für Hochdruckreiniger - Kategorie: elektronische und elektromechanische Haushaltsgeräte).

mit den nachstehend aufgelisteten Richtlinien und ihren nachfolgenden Aktualisierungen konform ist :

- Maschinenrichtlinie 2006/42/EG.

- Richtlinie zur Beschränkung der Verwendung bestimmter gefährlicher Stoffe in Elektro- und Elektronikgeräten 2011/65/EU – RoHS.

Das Gerät enthält keine Stoffe, für die Beschränkungen bezüglich ihrer Verwendung in Konzentrationen bestehen, die über denen im Anhang II liegen, mit Ausnahme von Anwendungen, die von den im Anhang II aufgeführten Beschränkungen ausgenommen sind.

Angewandte Normen : UNI EN ISO 12100:2010 - UNI EN 809:2000

Die oben genannte Pumpe genügt den folgenden grundlegenden Sicherheits- und Gesundheitsschutzanforderungen, die unter Punkt 1 des Anhangs I der Maschinenrichtlinie aufgeführt sind.
1.1.2 - 1.1.3 - 1.1.5 - 1.3.1 - 1.3.2 - 1.3.3 - 1.3.4 - 1.5.4 - 1.5.5 - 1.6.1 - 1.7.1 - 1.7.2 - 1.7.4 - 1.7.4.1 - 1.7.4.2
Die speziellen technischen Unterlagen wurden gemäß Anhang VII Teil B erstellt.

Darüber hinaus verpflichtet sich der Hersteller einzelstaatlichen Stellen auf begründetes Verlangen die speziellen technischen Unterlagen zur Pumpe in festzulegenden Modalitäten und Fristen zu übermitteln.

Die Pumpe darf erst dann in Betrieb genommen werden, wenn gegebenenfalls festgestellt wurde, dass die Maschine, in die die Pumpe eingebaut werden soll, den Bestimmungen der entsprechenden Richtlinien und/oder Normen entspricht .

Person, die bevollmächtigt ist, die relevanten technischen Unterlagen zusammenzustellen : Maurizio Novelli

Adresse : INTERPUMP GROUP S.p.A. – Via E. Fermi, 25 – 42049 S. ILARIO D'ENZA (RE) – Italien

Person, die zur Ausstellung dieser Erklärung bevollmächtigt ist: Der Geschäftsführer Ing. Paolo Marinsek

Reggio Emilia 03/2013

Unterschrift _____



DECLARACIÓN DE INCORPORACIÓN

(De acuerdo con el anexo II de la Directiva Europea 2006/42/CE).

El fabricante **INTERPUMP GROUP S.p.A.** – Via E. Fermi, 25 – 42049 S.ILARIO D'ENZA (RE) – Italia
DECLARA bajo su propia y exclusiva responsabilidad al aparato identificado y descrito del siguiente modo :

Denominación : Bomba

Tipo : Bomba alternativa con pistones para agua de alta presión

Marca de fábrica : INTERPUMP GROUP

Modelo : W101 – W131 – W151 – W201 – W92 – W132

W162 – WS133 – WS171 – WS101 – WS131 – WS151 – WS201 – WS92 – WS132 – WS162 – WS82

WS102 – WS152 – WS202 – W913 – W921 – W928 – T9281 – W912 – W916 – W914 – W922 (para hidro-
limpiadoras- categoría AEE electrodoméstico).

Resulta ser conforme con las directivas que se indican a continuación y con sus sucesivas actualizaciones:

- Directiva de Máquinas 2006/42/CE.

- Directiva acerca de la restricción del uso de determinadas sustancias peligrosas en máquinas eléctricas y electrónicas 2011/65/UE – RoHS.

El aparato no contiene sustancias con restricción de uso en concentración mayor de aquellas citadas en el anexo II, exceptuando las aplicaciones exentas de las restricciones citadas en el anexo III.

Normas aplicadas : UNI EN ISO 12100:2010 - UNI EN 809:2000

La bomba identificada anteriormente respeta los siguientes requisitos esenciales de seguridad y de protección de la salud citados en el punto 1 del anexo I de la Directiva de Máquina :

1.1.2 - 1.1.3 - 1.1.5 - 1.3.1 - 1.3.2 - 1.3.3 - 1.3.4 - 1.5.4 - 1.5.5 - 1.6.1 - 1.7.1 - 1.7.2 - 1.7.4 - 1.7.4.1 - 1.7.4.2
y la correspondiente documentación técnica ha sido compilada de acuerdo con el anexo VII B.

Además el fabricante se compromete en hacer disponible, después haberse llevado a cabo una solicitud adecuadamente motivada, una copia de la documentación técnica pertinente de la bomba en una modalidad y en un plazo aún por definir.

La bomba no debe ser puesta en funcionamiento, hasta que el sistema al cuál la bomba debe ser incorporada, haya sido declarado conforme a las disposiciones de las respectivas directivas y/o normativas.

Persona autorizada a realizar el fascículo técnico :


Nombre : Maurizio Novelli

Dirección : INTERPUMP GROUP S.p.A. – Via E. Fermi, 25 – 42049 S. ILARIO D'ENZA (RE) – Italia

Persona autorizada a redactar la declaración :

El administrador delegado Ing. Paolo Marinsek

Reggio Emilia 03/2013

Firma 

DECLARAÇÃO DE INCORPORAÇÃO **(Nos termos do anexo II da Directiva Europeia 2006/42/CE).**

O fabricante **INTERPUMP GROUP S.p.A.** – Via E. Fermi, 25 – 42049 S.ILARIO D'ENZA (RE) - Itália **DECLARA** sob a sua exclusiva responsabilidade que os equipamentos identificados e descritos tal como se segue :

Denominação : Bomba

Tipo: Bomba alternativa com pistões para água a alta pressão

Marca de fábrica : INTERPUMP GROUP

Modelo : W101 – W131 – W151 – W201 – W92 – W132

W162 – WS133 – WS171 – WS101 – WS131 – WS151 – WS201 – WS92 – WS132 – WS162 – WS82

WS102 – WS152 – WS202 – W913 – W921 – W928 – T9281 – W912 – W916 – W914 – W922 (para máquinas de limpeza por jacto de água a alta pressão - categoria AEE electrodoméstico).

Está em conformidade às directivas abaixo indicadas e posteriores actualizações :

- Directiva Máquinas 2006/42/CE.

- Directiva sobre a restrição de uso de determinadas substâncias perigosas em aparelhos eléctricos e electrónicos 2011/65/UE – RoHS.

O equipamento não contém substâncias com restrições de uso em concentração superior às indicadas no anexo II, á excepção das aplicações isentas das restrições indicadas no anexo III.

Normas aplicadas : UNI EN ISO 12100:2010 - UNI EN 809:2000

A bomba acima identificada respeita os seguintes requisitos essenciais de segurança e de tutela da saúde, referidos no ponto 1 do anexo I da Directiva Máquinas :

1.1.2 - 1.1.3 - 1.1.5 - 1.3.1 - 1.3.2 - 1.3.3 - 1.3.4 - 1.5.4 - 1.5.5 - 1.6.1 - 1.7.1 - 1.7.2 - 1.7.4 - 1.7.4.1 - 1.7.4.2 e a respectiva documentação técnica foi compilada em conformidade com o anexo VII B.

Além disso, o fabricante compromete-se a disponibilizar, mediante pedido adequadamente motivado, uma cópia da documentação técnica referente à bomba, em modos e termos a definir.

A bomba não deve ser colocada em funcionamento até que o sistema no qual tem de ser incorporada seja declarado em conformidade com as disposições das respectivas directivas e/ou normas.

Pessoa autorizada a compilar a documentação técnica : Nome : Maurizio Novelli

Morada: INTERPUMP GROUP S.p.A. – Via E. Fermi, 25 – 42049 S. ILARIO D'ENZA (RE) – Itália

Pessoa autorizada a redigir a declaração :

O administrador delegado Eng.º Paolo Marinsek

Reggio Emilia 02/2013

Assinatura



COPYRIGHT Il contenuto di questo libretto è di proprietà di INTERPUMP GROUP, ne è vietata la riproduzione e/o la divulgazione, anche parziale, a termini di legge.

COPYRIGHT The contents of this booklet are the property of INTERPUMP GROUP. Reproduction and divulgation, in whole or in part, are prohibited by law.

COPYRIGHT Le contenu de cette notice appartient à INTERPUMP GROUP : aux termes de la loi il est interdit de le reproduire et/ou de le divulguer, même partiellement.

COPYRIGHT Der Inhalt dieser Bedienungsanleitung ist Eigentum von INTERPUMP GROUP. Die auch nur teilweise Reproduktion und/oder Verbreitung ist gesetzlich verboten.

COPYRIGHT El contenido del presente manual es propiedad de INTERPUMP GROUP y está legalmente prohibida su reproducción y/o divulgación parcial o total.

COPYRIGHT O conteúdo deste livro é de propriedade da INTERPUMP GROUP, e é proibida a sua reprodução e/ou a sua divulgação, mesmo parcial, nos termos da lei.

Le informazioni presenti su questo documento possono essere variate senza preavviso.

The information contained in this document may change without notice.

Les informations présentes sur ce document peuvent être changées sans besoin de préavis.

Die in diesem Dokument enthaltenen Informationen können ohne Vorankündigung geändert werden.

La información contenida en el presente documento puede modificarse sin previo aviso.

As informações contidas neste documento poderão ser sujeitas a alterações sem aviso prévio.



INTERPUMP GROUP

VIA FERMI, 25 42049 S.ILARIO – REGGIO EMILIA (ITALY)
TEL. +39 – 0522 - 904311 TELEFAX +39 – 0522 – 904444
E-mail: info@interpumpgroup.it - <http://www.interpumpgroup.it>