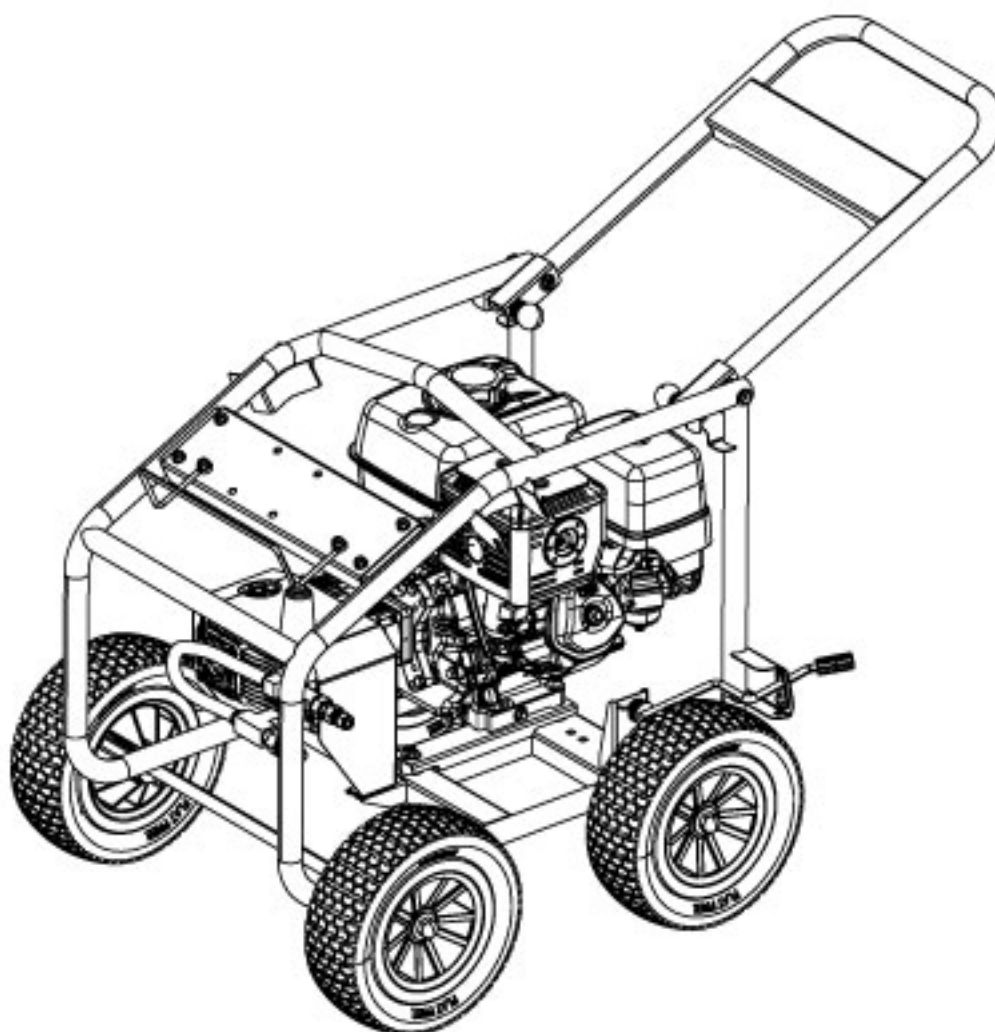


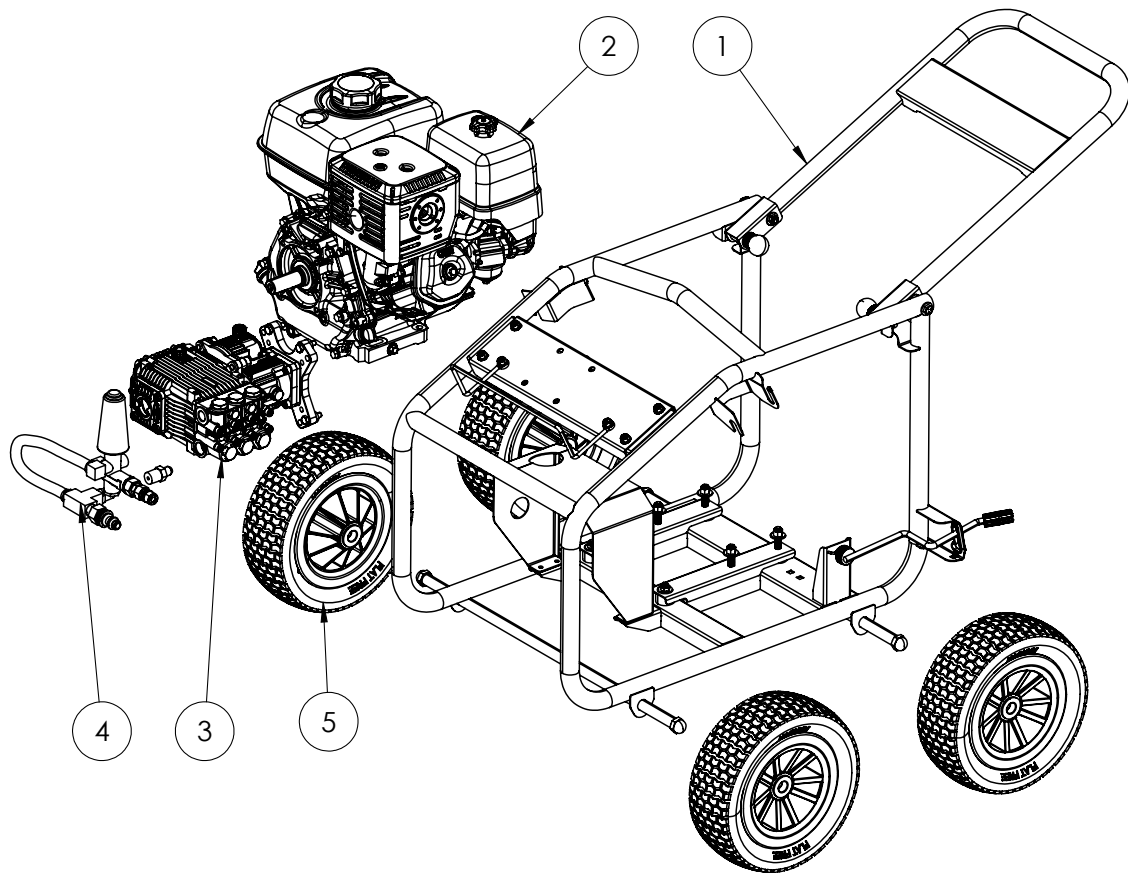
PARTS LIST



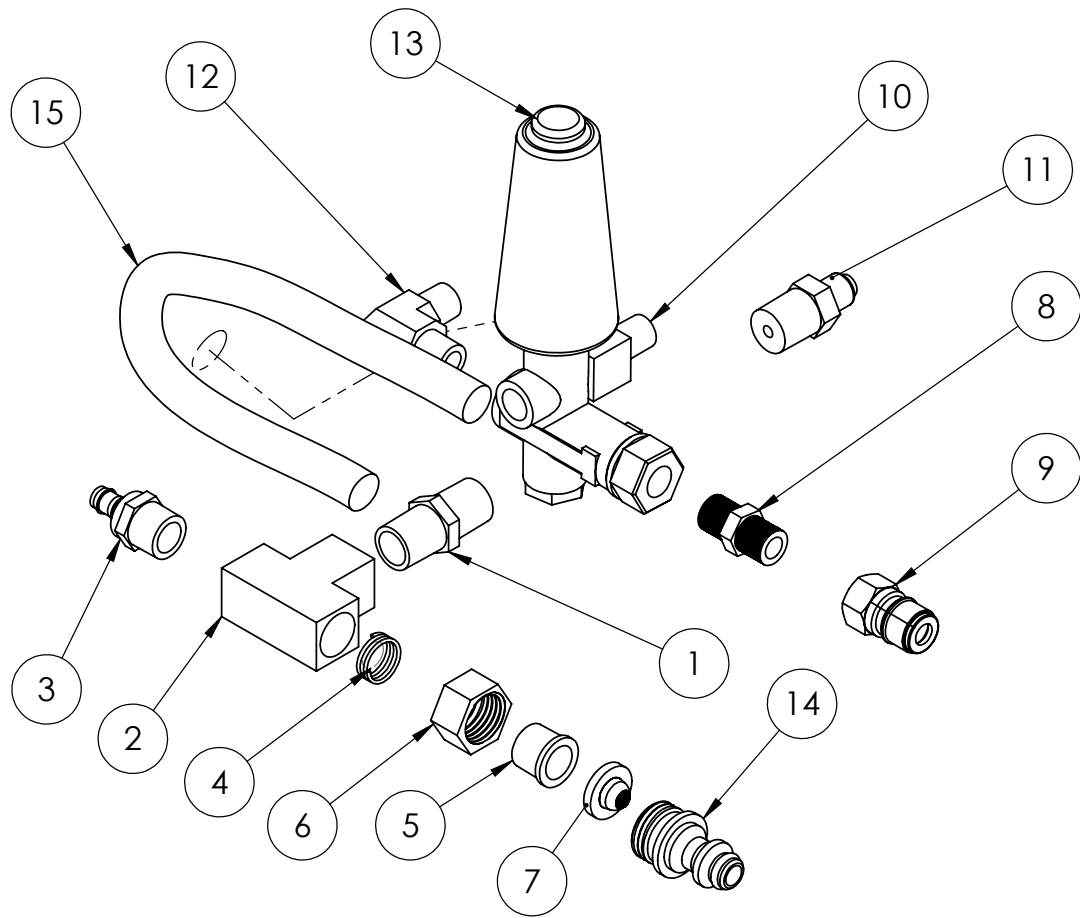
2021.02.18

TABLE OF CONTENTS

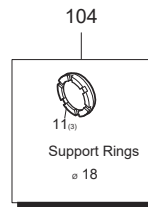
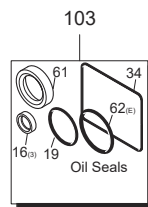
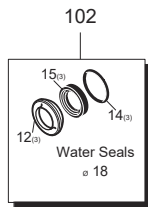
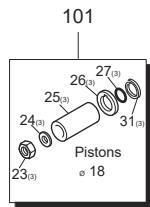
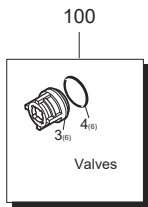
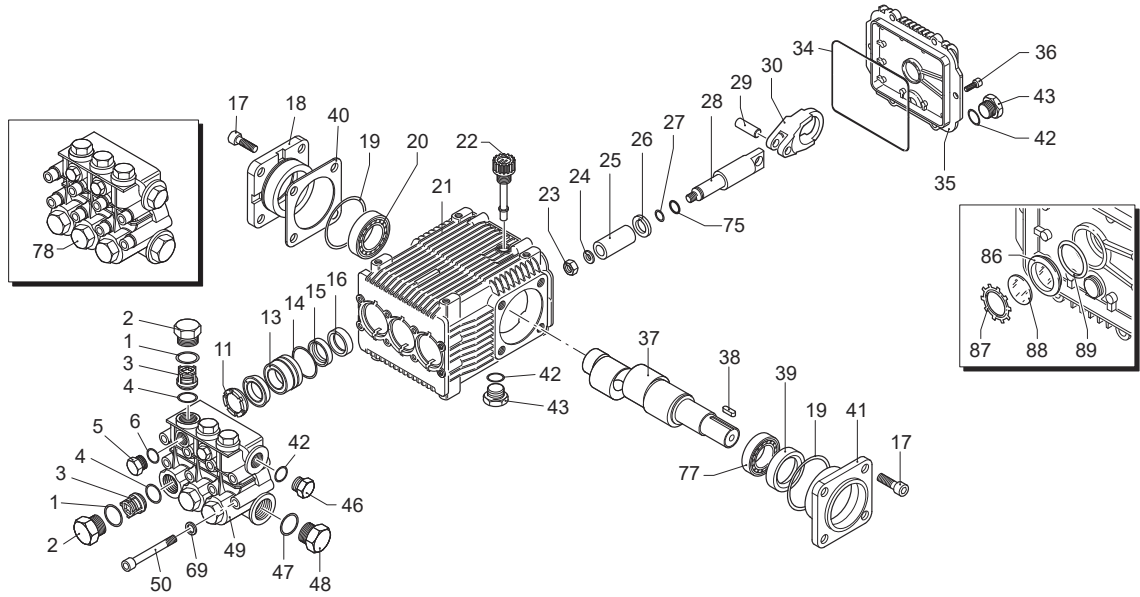
Overview1
Unloader3
Pump_MC 5M5



Pos.	Réf article	Qté	Désignation	Notes
1		1	Nilfisk SS Rollcage CW Complete	
2		1	Eng., Honda, Commercial, GX390	
3	31001260	1	KIT POMPE DE TRACTION	
4	31001258	1	PLUMBING KIT NILFISK GEAR DRIVE	
5	31001252	4	ROUE PLEINE PUR 12	



Pos.	Réf article	Qté	Désignation	Notes
1		1	HEX NIPPLE, 1/2"	
2		1	T, FEMALE, 1/2"	
3		1	MALE PO HOSE BARB 1/2 MPT X 3/8	
4	31000869	1	RESSORT	
5		1	GARDEN HOSE ADAPTER, 1/2" NPTM	
6	31000868	1	ECROU	
7	31000802	1	JOINT	
8		1	HEX NIPPLE, HP 6MP X 6MP	
9	1600493	1	RACCORD RAPIDE MALE HP EN 3/8	
10		1	HOSE BARB, PUSH ON, EL, 3/8 X 3/8	
11	31001264	1	THERMOSENSOR 1/2 MPT 140F	
12		1	HP ST ELL 90 6MP X 6MP	
13	31000807	1	VANNE BY-PASS 4500 PSI W/EZ	
14	31001243	1	CONNECTEUR RAPIDE MALE	
15		1	Hose, Lock-on, 3/8" 6LOLA Plus	



Pos.	Réf article	Qté	Désignation	Notes
0	31001274	1	COMPLETE PUMP MC 5M	
1	103004342	6	JOINT TORIQUE 17.86X2.62	
2	31000606	6	VALVE CAP - SS	
3		6	Part of Position 100	
4		6	Part of Position 100	
5	31000618	2	PLUG 1/4 INCH	
6	301003043	2	JOINT TORIQUE D.10,82X1,78	
11		3	Part of Position 104	
12		3	Part of Position 102	
13	301001154	3	DOUILLE	
14		3	Part of Position 102	
15		3	Part of Position 102	
16		3	Part of Position 103	
17	106522511	8	VIS M8X16	
18	31000615	1	CAGE DE ROULEMENT	
19		2	Part of Position 103	
20	909100163	1	ROULEMENT	
21	31000621	1	PUMP HOUSING	
22	31000605	1	BOUCHON HUILE	
23	909100167	3	ÉCROU À SIX PANS M8	
24	909100165	3	ANNEAU DE JOINT	
25		3	Part of Position 101	
26	301001139	3	RONDELLE D'ÉCARTEMENT	
27		3	Part of Position 101	
28	301001156	3	GUIDE-PISTON	
29	301001138	3	BOULON	
30	301001168	3	BIELLE	
34		1	Part of Position 103	
35	31000629	1	CRANKCASE COVER COMPLETE	
36	31000613	6	BOLT M6X14	
37	31000635	1	CRANKSHAFT 24MM	
38	31000616	1	KEY 8X7X25 UNI 6604-69 DIN 6885	
39	31000595	1	JOINT HUILE 25X45X10	
40	301001140	3	RONDELLE D'AJUSTAGE 0,05 MM	
40	301001141	3	RONDELLE D'AJUSTAGE 0,1 MM	
40	301001142	3	RONDELLE D'AJUSTAGE 0,25 MM	
40	301001143	3	ENTRETOISE 80X80X0.25	
41	31000614	1	OPEN BEARING SUPPORT	
42	31000597	3	JOINT TORIQUE Ø14X1.78	
43	301001135	2	BOUCHON FILETÉ	
46	31000632	1	PLUG 3/8 INCH G NP	
47	31000594	1	O-RING Ø17.5X2	
48	31000607	1	PRISE 1/2 INCH G	
49	31000619	1	TETE DE POMPE Ø18 NP	
50	31000602	8	HEAD BOLT M8X70	
69	31000620	8	WASHER	
75	49900	3	BAGUE 8.0X11.0X1.0	
77	31001267	1	ROLLER BEARING 30205 DIN 720	
78	31000623	1	COMPLETE PUMP HEAD Ø18 NP	
86	31000610	1	OIL SIGHT GLASS	
87	31000611	1	SNAP RING ZJ 25	
88	31000628	1	CONTRAST DISC	
89	31000608	1	O-RING Ø20.24X2.62	
100	31001268	1	VALVE KIT 6 PCS	
101	31000582	1	PISTONS Ø18 3 UNITES	
102	31000574	1	KIT JOINTS D EAU Ø18 3 PCS	
103	31000573	1	KIT JOINTS HYDAULIQUE	
104	31000572	1	KIT SUPPORTS DE JOINT Ø18 3 PCS	

