

# PARTS LIST

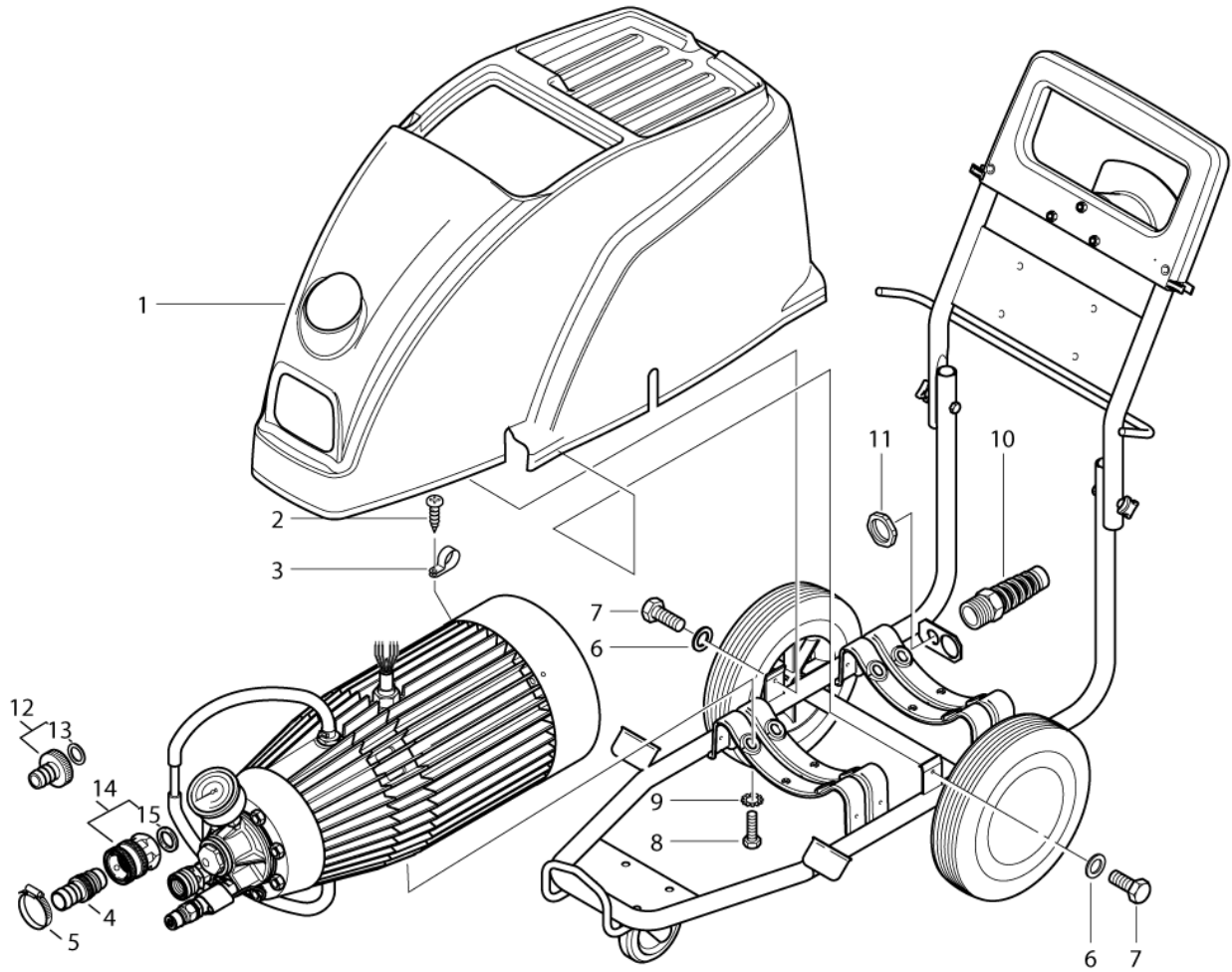


2019.04.30

# TABLE OF CONTENTS

---

Cabinet .....	1
Frame .....	3
Motor .....	6
Water flow regulation .....	9
Cylinder block .....	11
Foam injector .....	13
Pressure and volume regulation .....	15
Watertank .....	17
Electric box (A) .....	19
Electric box (B) .....	21
301000202, 301000540 - Hose reel Old POSEIDON 7 -8 .....	24
Default accessories .....	26
Recommended spare parts .....	28



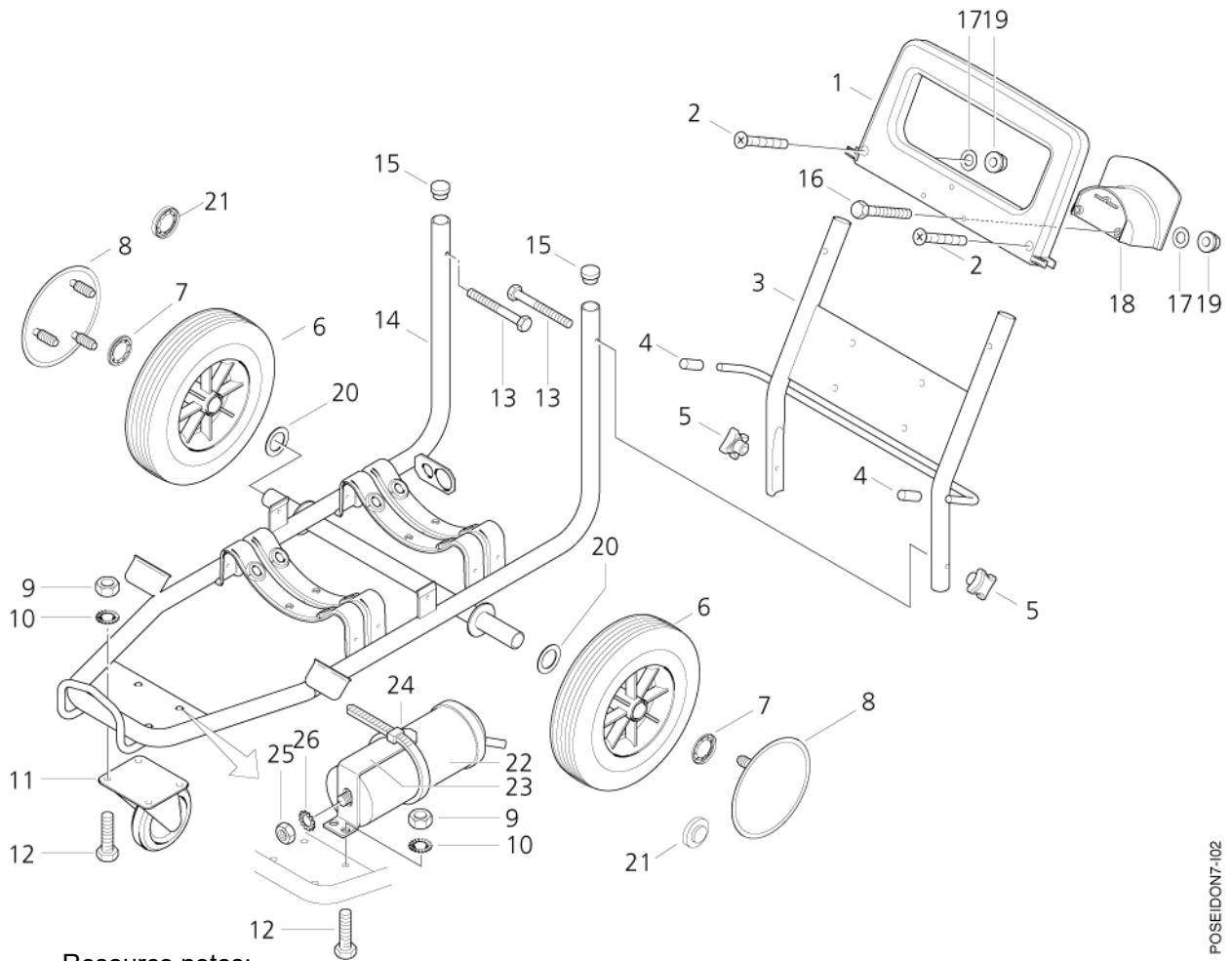
Resource notes:

\* NOTE: \*GB\*US\*JP\* \*EXP\*EU\*DK\*BE\*NO\* =>31.01.2005]

Pos.	Réf article	Qté	Désignation	Notes
01	301000258	1	CAPOT SUPERIEUR BLEU	[1]
02	1803956	1	VIS M4X12	
03	4887	1	FASTENING CLIP 13/15	[1]
03	8295	1	FASTENING CLIP 15/18	[2]
04	1600659	1	RACCORD RAPIDE NITO 3/4"M 19MM	[3]
04	1605955	1	RACCORD RAPIDE ENTREE	[4]
05	8298	1	COLLIER 16-27	
06	1814617	2	WASHER 5.8X15X1.5	[1]
06	14805	2	WASHER 6.4X1.6 x 18 A ISO 7093-1 VA	[5]
07	6200145	2	SCREW	[6]
07	24355	2	VIS M6X16	[7]
08	1802651	4	VIS M10X20	
09	10204	4	RONDELLE CRANTEE A10	
10	909100043	1	RACCORD À VIS POUR CÂBLES	
10	909100016	1	CABLE SCREWING W. ANTIBUC.	[8]
11	909100021	1	ECROU HEXAGONAL M32x1,5mm	[8]
11	909100019	1	ECROU M20X1.5	
12	61369	1	RACCORD LAITON ENTREE EAU 3/4" 19MM	[9]
13	46487	1	JOINT M21XM29	[9]
14	1602945	1	RACCORD RAPIDE NITO 3/4"F	[10]
15	3001237	1	JOINT	[10]

Part Notes:

- [1] - STOCK COVERS GUARANTEE
- [2] - 7-52, 7-66\*JP\*  
STOCK COVERS GUARANTEE
- [3] - \*GB\*JP\*
- [4] - 7-52, 7-66\*US\*CA\*
- [5] - 7-52SS, 7-66SS, 7-66F, 7-66FB
- [6] - 7-29, 7-52, 7-59, 7-66  
03V OUTPHASED 2003
- [7] - 7-52SS, 7-66SS, 7-66F, 7-66FB  
STOCK COVERS GUARANTEE
- [8] - 7-52, 7-52SS, 7-66\*JP\*CA\*US\*
- [9] - \*EXP\*EU\*DK\*BE\*NO\* |01.02.2005=>
- [10] - \* SEE NOTE



Resource notes:

\* NOTE: 7-29, 7-52, 7-52SS, 7-59, 7-66, 7-66SS |05.04.2004=>

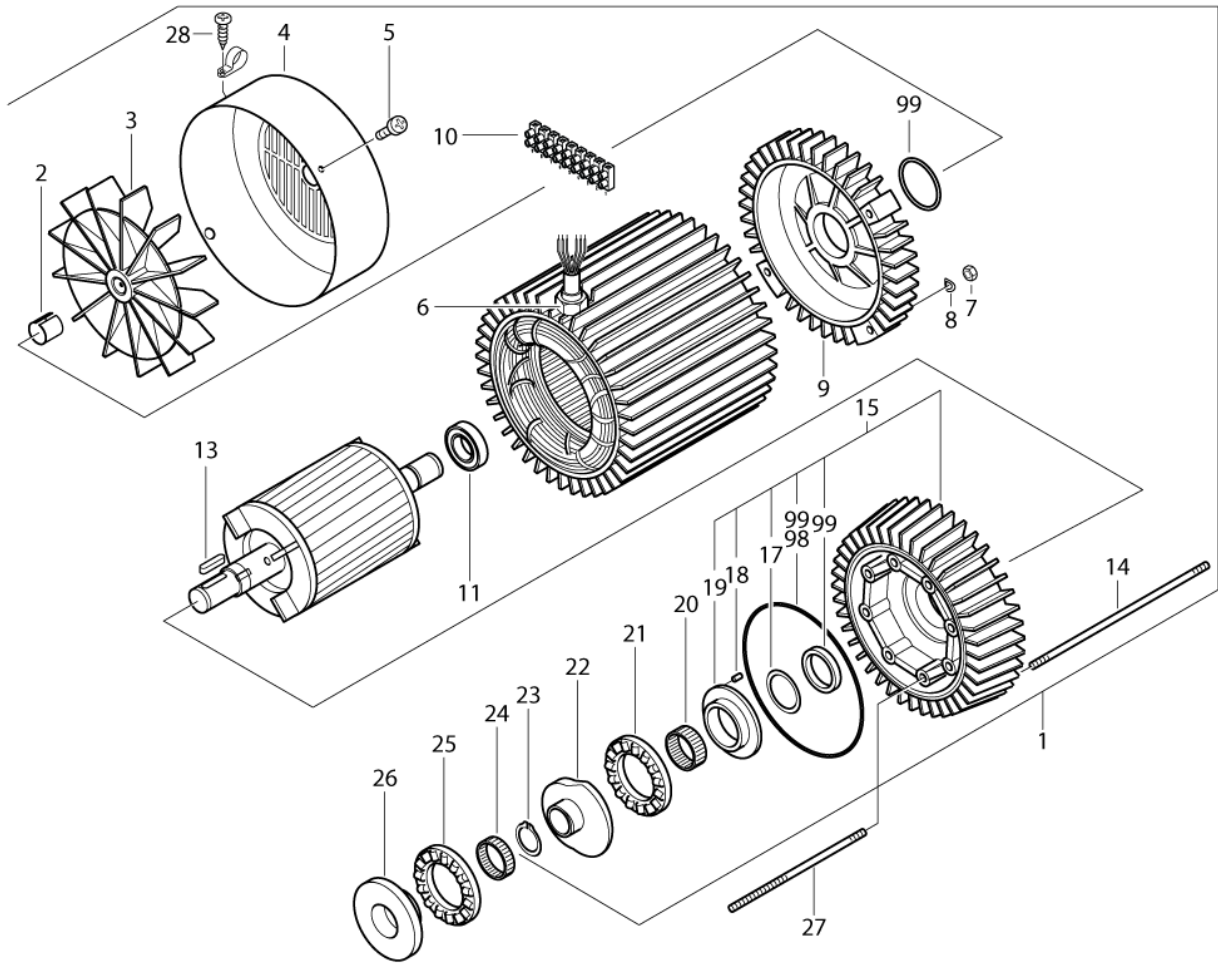
POSEIDON7-102

Pos.	Réf article	Qté	Désignation	Notes
01	48646	1	MONTURE DE POIGNÉE	
02	17737	2	VIS M6X40	
03	301000182	1	BOW	[1]
03	301000376	1	CADRE DE FIXATION DEPOIGNEE	[2]
04	1022	2	CAP 10/20	[3]
05	909100169	2	ECROU MOLETE	
06	46362	2	ROUE	[4]
06	301000989	2	ROUE	[5]
06	2010908	2	ROUE ANTIRACE LATERAL	[6]
07	1813799	2	CIRCLIP	[7]
07	46363	2	FIXATION RAPIDE	[8]
07	107145570	2	BAGUE DE BLOCAGE D25XD42X3	[9]
08	44660	2	CAPUCHON	[4]
08	301001076	2	ENJOLIVEUR D180	[5]
09	2758	4	ECROU M8	[1]
09	20908	4	ECROU M8	[2]
10	2803	4	RONDELLE	[10]
10	14648	4	RONDELLE D8	[9]
11	46361	1	ROULETTE	
11	2010916	1	ROUE PIVOTANTE INOX	[11]
12	6557	4	SCREW M8X16	[1]
12	19810	4	VIS M8X16	[2]
13	909100042	2	VIS HEXAGONALE M6X55	[10]
13	909100072	2	VIS M6X55	[2]
14	301000177	1	CHASSIS	[10]
14	301000338	1	CHASSIS INOX	[2]
15	58406	2	PLUG D26/20X13.5 BLACK	[3]
16	1814634	3	VIS M6X50 INOX	
17	17849	3	ECROU 6,4X1,6	[3]
18	43064	1	SUPPORT	
19	12496	3	ECROU M6	[1]
19	1801893	3	ECROU M6	[9]
20	301000381	2	RONDELLE	[11]
21	6102614	2	ENJOLIVEUR INOX COMPLET	[6]
22	301000415	1	CONDENSATEUR 80UF / 420 V	[12]
23	301001661	2	BRACKET 3X122X30X73	[13]
23	301000391	1	BRACKET 122X73X30	[14]
24	8819	1	ATTACHE CABLE 4.5X1X350	[15]
25	1810068	2	ECROU M12 INOX	[16]
25	2761	1	HEXAGON NUT M12	[14]
26	909100351	2	ERRATED LOCK WASHER Ø13	[17]
26	8954	1	SERRATED LOCK WASHER 12	[14]

Part Notes:

- [1] - 7-29, 7-52, 7-59, 7-66
- [2] - 7-52SS, 7-66SS, 7-66F, 7-66FB  
STOCK COVERS GUARANTEE
- [3] - STOCK COVERS GUARANTEE
- [4] - 7-29, 7-52, 7-59, 7-66 =>04.04.2004|  
STOCK COVERS GUARANTEE
- [5] - \* SEE NOTE
- [6] - 7-66F, 7-66FB
- [7] - 7-29, 7-52, 7-59, 7-66 |05.04.2004=>
- [8] - 7-29, 7-52, 7-59, 7-66 =>04.04.2004|
- [9] - 7-52SS, 7-66SS, 7-66F, 7-66FB
- [10] - 7-29, 7-52, 7-59, 7-66  
STOCK COVERS GUARANTEE
- [11] - 7-66F, 7-66FB  
STOCK COVERS GUARANTEE
- [12] - 7-29, 7-52, 7-52SS=2x  
STOCK COVERS GUARANTEE

- [13] - 7-52SS US\*  
US version outphased
- [14] - 7-29, 7-52=2x  
STOCK COVERS GUARANTEE
- [15] - 7-29, 7-52, 7-52SS=2x
- [16] - 7-52SS
- [17] - 7-52SS  
STOCK COVERS GUARANTEE



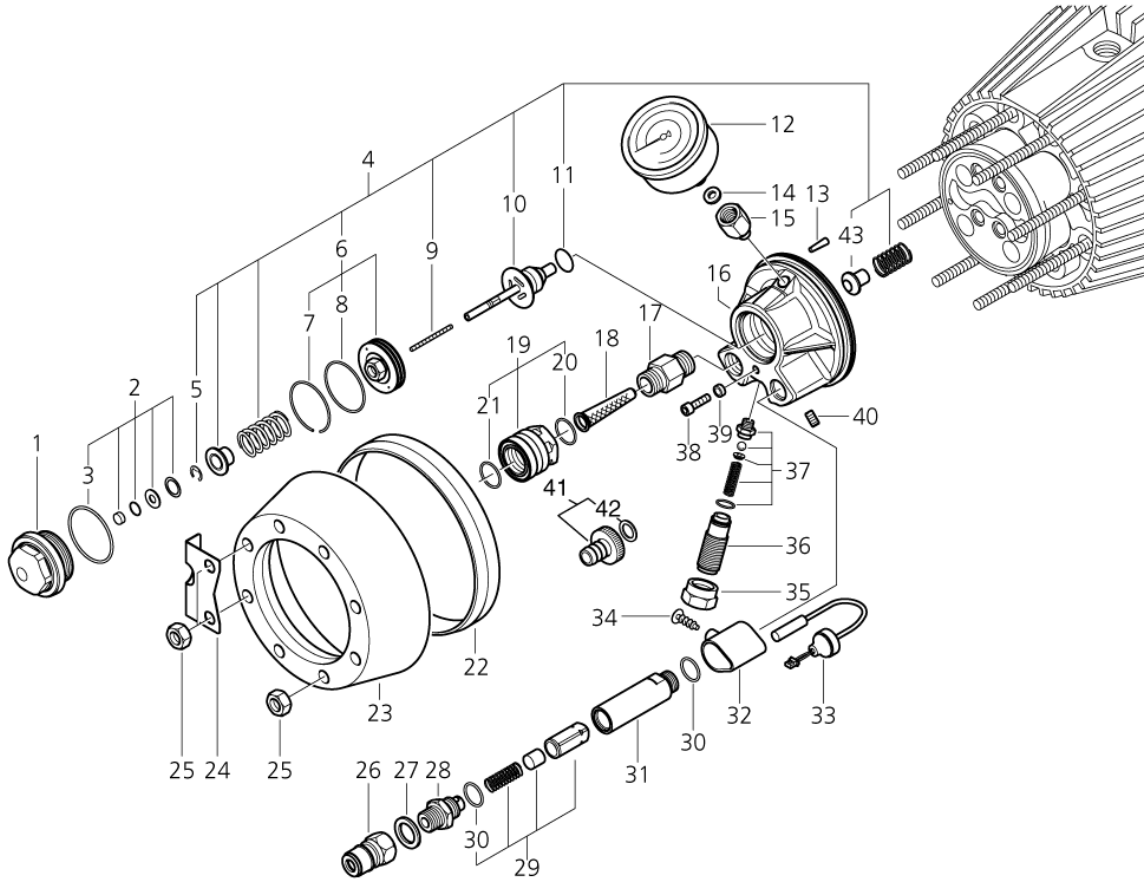


Pos.	Réf article	Qté	Désignation	Notes
00	107120000	1	MOTEUR DE POMPE 400-230/3/50.60 POSEIDON	[1]
00	107120010	1	POMPE F-SL 400-230/3/50/60 POSEIDON	[2]
01	107120752	1	MOTOR 65KW 200 3 50	[3]
01	107120754	1	MOTOR 6.5KW 575 3 60	[4]
01	107120757	1	MOTOR 5.0KW 208 230 1 60	[5]
01	107120750	1	MOTEUR 3X400-415/230 50HZ	[6]
01	107120758	1	MOTOR 2.1KW 230 1 50	[7]
01	107120755	1	MOTOR 5.5KW 400 415.230 3 50	[8]
01	107120753	1	MOTOR 6.5KW 200 3 60	[9]
01	107120751	1	MOTOR 6.5KW 440 220 3 60	[10]
02	1802503	1	CIRCLIP	
03	6100605	1	VENTILATEUR	[11]
04	6100609	1	CAPOT VENTILATEUR	
05	101814693	2	VIS M4X8	
06	107302152	1	PRESSE-ETOUPE G3/4 INCH	
07	2758	4	ECROU M8	
08	1801182	4	RONDELLE RESSORT	
09	107140617	1	COUVERCLE ARRIERE DE STATOR DE POMPE	[12]
09	6100611	1	FLASQUE ARRIERE MOTEUR	[13]
10	101117839	1	BORNIER	
11	3200623	1	ROULEMENT A BILLES	
13	3200672	1	CLAVETTE 6X6X32	
14	6100711	4	GOUJON L 261 MM	[14]
14	6100712	4	GOUJON L = 306 MM	[15]
15	6101750	1	FLASQUE AVANT MOTEUR	[16]
15	107140615	1	KIT FASQUE AVANT MOTEUR AVEC ROULEMENT	[17]
17	6100995	1	RONDELLE	
18	6100996	1	GOUPILLE	
19	107120703	1	SUPPORT DE ROULEMENT	
20	3200656	1	ROULEMENT A AIGUILLES	
21	3200615	1	ROULEMENT A ROULEAUX	
22	107120715	1	DISQUE OBLIQUE 11	[18]
22	107120705	1	DISQUE OBLIQUE 1 - 2.4 KW	[19]
22	107120710	1	DISQUE OBLIQUE 6	[20]
22	107120708	1	DISQUE OBLIQUE 4	[21]
22	107120716	1	DISQUE OBLIQUE 12	[22]
23	1802511	1	ANNEAU SEEGER 28X1.2	
24	3200664	1	ROULEMENT A AIGUILLES	
25	3200615	1	ROULEMENT A ROULEAUX	
26	107120704	1	DISQUE D'APPUI PISTONS	
27	6301368	8	GOUJON	
28	1803956	1	VIS M4X12	
98	1119820	1	KIT JOINT D'HUILE	
99	1119570	1	KIT JOINT EAU & HUILE	

## Part Notes:

- [1] - 400-230/3/ 50,60Hz  
STOCK COVERS GUARANTEE
- [2] - 400-230/3/ 50,60Hz, F,FB
- [3] - 7-66\*JP,50HZ\*, DISC NO. 12
- [4] - 7-66\*CA\*,WITH WOBBLE DISC NO. 6  
NO LONGER AVAILABLE
- [5] - 7-52, 7-52SS,WITH WOBBLE DISC NO. 4
- [6] - 7-66\*EU\*BE\*NO\*DK\*,7-66F, 7-66FB, DISC NO.12
- [7] - 7-29,WITH WOBBLE DISC NO. 1  
NO LONGER AVAILABLE
- [8] - 7-59, WITH WOBBLE DISC NO. 11  
STOCK COVERS GUARANTEE
- [9] - 7-66\*JP,60HZ\*, DISC NO. 6
- [10] - 7-66\*US\*EXP\*, 7-66SS, DISC NO. 6

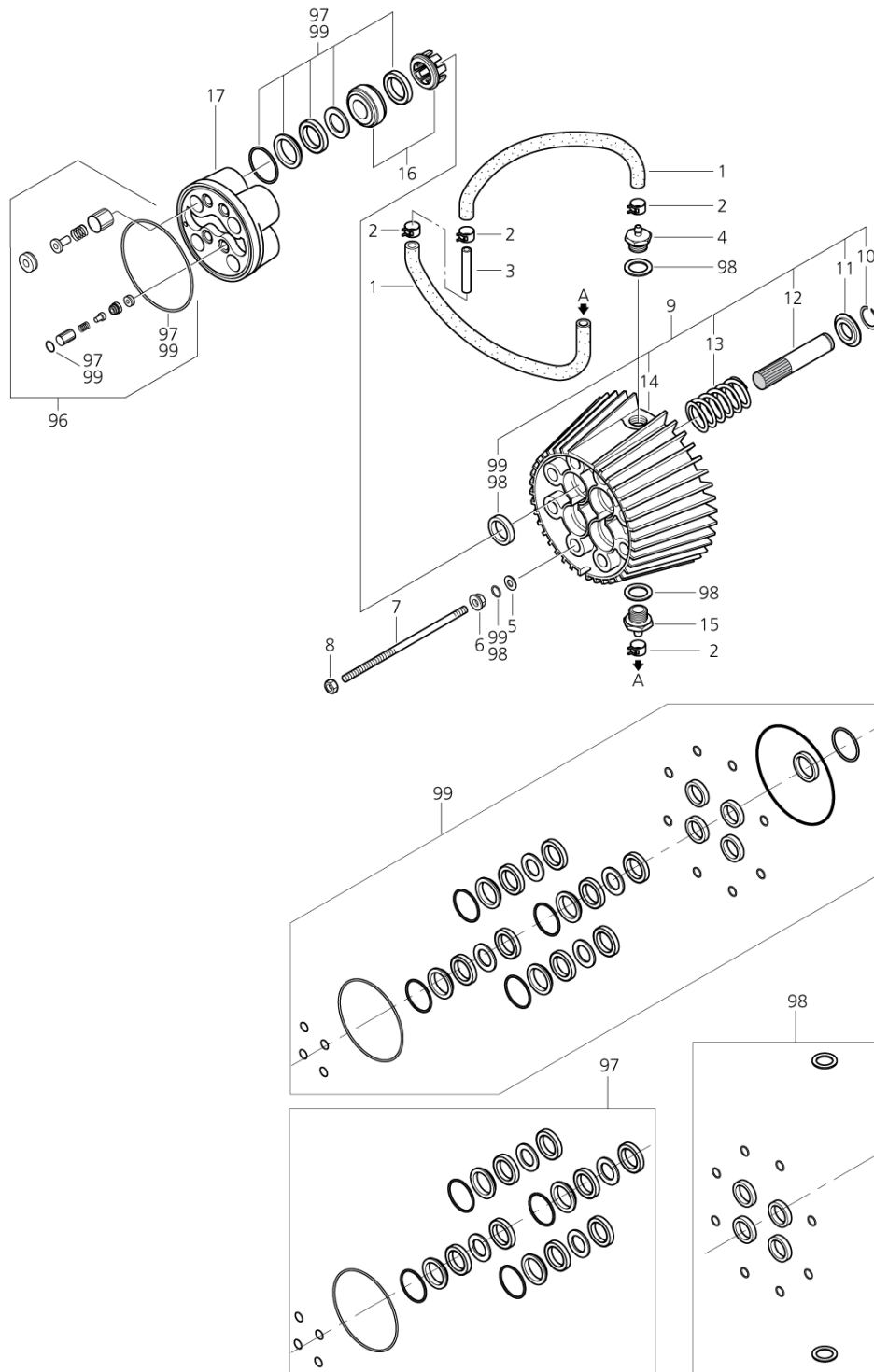
- [11] - EME
- [12] - From week 32/09 (EME)  
ALTERNATIVE USE 107142277
- [13] - Up to week 32/09 (ATB)
- [14] - 7-29, 7-59
- [15] - 7-52, 7-52SS, 7-66, 7-66F, 7-66FB, 7-66SS  
STOCK COVERS GUARANTEE
- [16] - Up to week 32/09 (ATB) - TSB-PPW-2011-013 C3 Pump information
- [17] - From week 32/09 - TSB-PPW-2011-013 C3 Pump information
- [18] - 7-59
- [19] - 7-29  
STOCK COVERS GUARANTEE
- [20] - 7-66\*EXP\*US\*JP,60HZ\*,7-66SS
- [21] - 7-52, 7-52SS
- [22] - 7-66\*EU\*BE\*NO\*DK\*JP,50HZ\*, 7-66F, 7-66FB



Pos.	Réf article	Qté	Désignation	Notes
01	107120500	1	BOUCHON 1 INCH1/4 D54X35	
02	101119410	1	KIT REPARATION	[1]
03	3001179	1	JOINT TORIQUE 39.6X2.4	
04	101119413	1	KIT SOUPE BY PASS UK	[2]
04	1118580	1	KIT BY-PASS	
05	6101069	1	ANNEAU SEEGER	
06	6100925	1	PISTON SOUPE BY-PASS	
06	107120567	1	PISTON F BY-PASS VALVE	[2]
07	6101061	1	ANNEAU PISTON	
08	3001716	1	JOINT TORIQUE 35.1X1.6	
09	2600286	1	RESSORT	
10	6400143	1	CONE DE SOUPE	
11	6441	1	JOINT TOR.11.0X2.0 PAR 10	
12	3601262	1	MANOMETRE 0-300 BARS	
13	6100996	1	GOUPILLE	
14	1602127	1	ANNEAU POUR MANOMETRE 1/4	
15	107120603	1	RACCORD R1/8 INCHX18	
16	6101042	1	CORPS BY-PASS	
17	107120600	1	GAINE FILTRE EAU	
18	6100941	1	FILTRE	
19	1602945	1	RACCORD RAPIDE NITO 3/4"F	[3]
20	3001237	1	JOINT	[3]
21	3000320	1	JOINT TORIQUE 20X3	[3]
22	6301392	1	ANNEAU ENTRETOISE	
23	6100602	1	FLAQUE AVANT POMPE	
24	107120609	1	NIVEAU	[4]
25	4826	8	ECROU HEX M10.	
26	1603101	1	COUPLEUR RAPIDE M 3/8 INOX	[5]
26	1600493	1	RACCORD RAPIDE MALE HP EN 3/8	[6]
27	1801075	1	ANNEAU DE JOINT	
28	107120504	1	RACCORD	
29	101119411	1	KIT REPARATION	
30	3000064	2	JOINT TORIQUE 14.1X1.6	
31	107120501	1	CORPS DE CONTROLEUR DE DEBIT	
32	62399	1	SUPPORT	
33	103821821	1	CONTACT REED	
34	1814614	1	VIS K50 X 18	
35	6100928	1	ÉCROU	
36	6100940	1	VIS D'AJUSTAGE	
37	1118512	1	SOUPE DE SÉCURITÉ	
38	3913	1	VIS M 6 X 12	
39	6100985	1	RONDELLE ARRET	
40	1602333	1	BOUCHON 1/8 INCH	
41	61369	1	RACCORD LAITON ENTREE EAU 3/4" 19MM	[7]
42	46487	1	JOINT M21XM29	[7]
43	6100915	1	CONNE DE VANNE ANTI RETOUR	

## Part Notes:

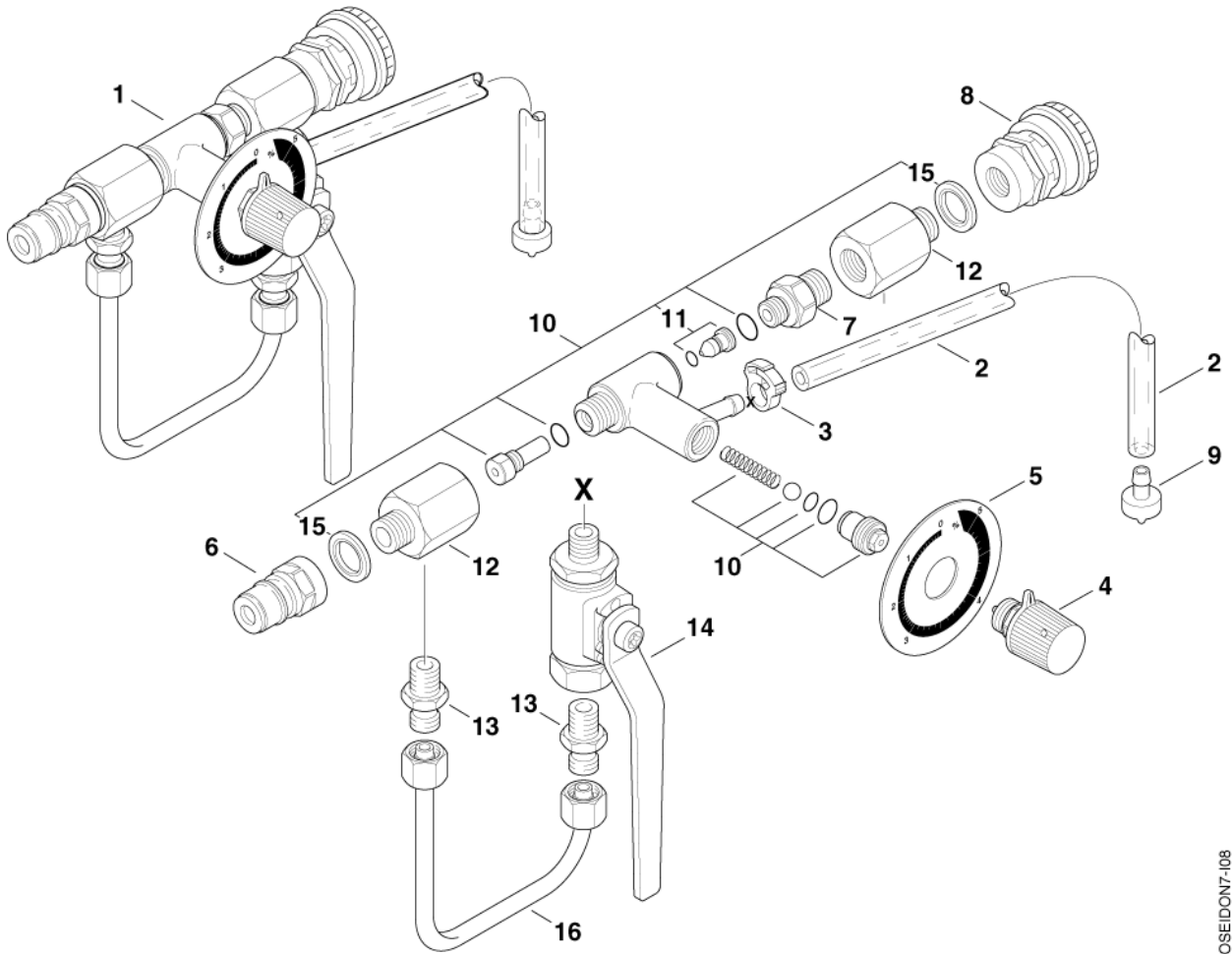
- [1] - TSB-PPW-2010-022 Circlip 1802610
- [2] - 7-29  
STOCK COVERS GUARANTEE
- [3] - \*GB\*US\*JP\* \*EXP\*EU\*DK\*BE\*NO\* =>31.01.2005|
- [4] - STOCK COVERS GUARANTEE
- [5] - 7-52SS, 7-66SS, 7-66F, 7-66FB
- [6] - 7-29, 7-52, 7-59, 7-66
- [7] - \*EXP\*EU\*DK\*BE\*NO\* |01.02.2005=>



Pos.	Réf article	Qté	Désignation	Notes
	31001229	1	OIL ISO 150 ALPHASYN-T 20L	
0-	5218433	1	HUILE ALPHASYN T150	[1]
0-	105218739	1	HUILE DTE FM 220	[2]
1	106408244	1	TUBE DE 5M D6X2.5	
2	1814679	4	COLLIER DE SERRAGE	
3	102406545	1	CONNECTION TUYAU 8X1X65	[3]
4	107120313	1	RACCORD DE FLEXIBLE	
5	6100718	8	RONDELLE D16X10X1	
6	6100719	8	ECROU	
7	6301368	8	GOUJON	
8	1800465	8	ECROU M10 DIN 934	
9	6300071	1	CARTER CYLINDRE. COMPLET	[4]
10	1802529	4	CIRCLIP D24	
11	6100666	4	BAGUE RESSORT PISTON	
12	6301166	4	PISTON CERAMIQUE	
13	102602517	4	RESSORT PISTON	
14	6100610	1	CARTER CYLINDRE	
15	107120314	1	RACCORD FLEXIBLE 3/8	[3]
16	107120700	4	KIT ANNEAU ARRET (1 pc)	
17	107120701	1	CORPS DE CLAPET	
96	1119310	1	KIT CLAPET COMPLET	[5]
96	101119848	1	KIT CLAPET	[6]
96	1119195	1	KIT CLAPETS	
97	1119571	1	KIT JOINT D'EAU REDUIT	[7]
98	1119820	1	KIT JOINT D'HUILE	
99	1119570	1	KIT JOINT EAU & HUILE	[8]

## Part Notes:

- [1] - 1,1 L - OIL TYPES\_QUANTITY for HPW\_APRIL 2017
- [2] - For food industry applications
- [3] - STOCK COVERS GUARANTEE
- [4] - -
- [5] - 7-29
- [6] - ONLY FOR UK - FOR CLORINE
- [7] - TSB-PPW-2016-011 Rep kit 1119571 and 1119570 potential have wrong O-ring in kit  
DE TSB-PPW-2016-011 Rep Kit 1119571 und 1119570 beinhalten möglicherweise einen falschen O-Ring
- [8] - C3  
  
TSB-PPW-2016-011 Rep kit 1119571 and 1119570 potential have wrong O-ring in kit  
DE TSB-PPW-2016-011 Rep Kit 1119571 und 1119570 beinhalten möglicherweise einen falschen O-Ring



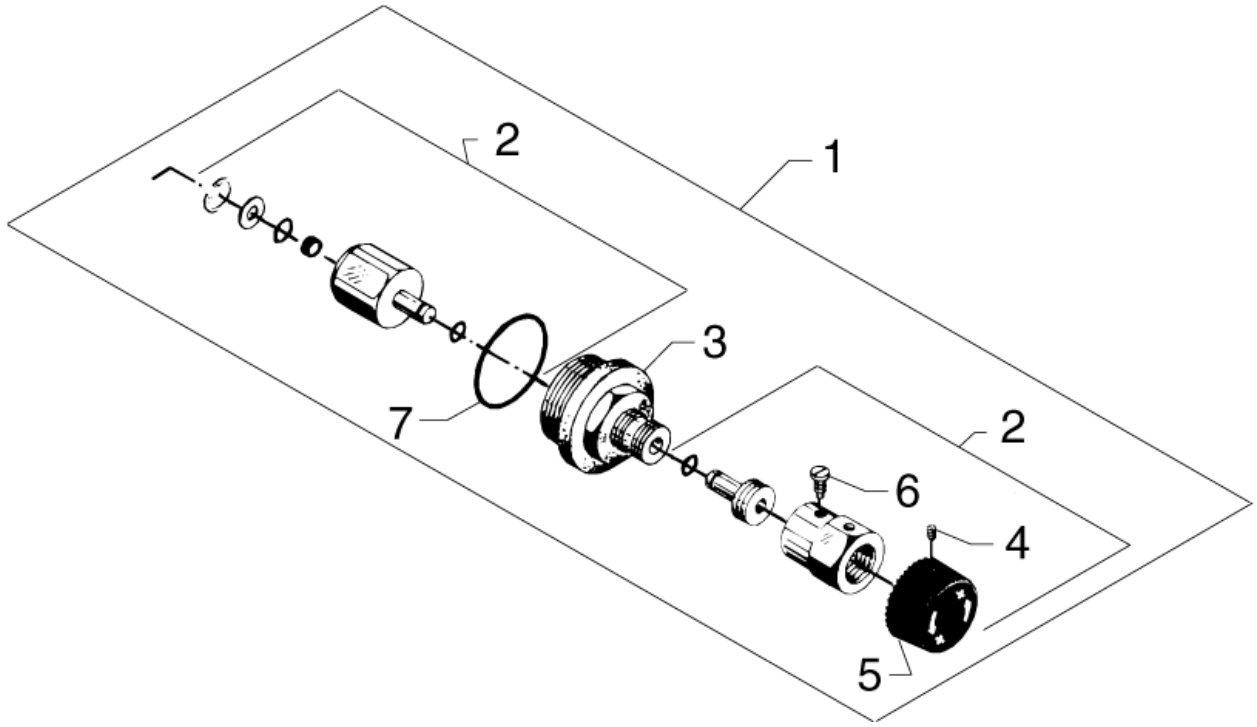
POSEIDON7-108

Pos.	Réf article	Qté	Désignation	Notes
1	6401243	1	INJECTEUR MOUSSE AVEC DERIVATION INOX	[1]
2	106408243	1	TUBE TRANSPARENT DE 5M 1/4INCH	
3	1810084	1	COLLIER D10.8/12.3	
4	6101778	1	SOUPAPE DE DOSAGE	
5	6400363	1	PLAQUE	
6	1603101	1	COUPLEUR RAPIDE M 3/8 INOX	
7	6150675	1	RACCORD	
8	106402075	1	COUPLEUR RAPIDE F 3/8 INCH	
9	6400240	1	CRÉPINE D'ASPIRATION	
10	1119107	1	KIT REPARATION	
11	1119815	1	KIT BUSE + JOINT TORIQUE	
12	6401744	2	RACCORD	
13	6401891	2	RACCORD FILETE INOX	[1]
14	3401916	1	VANNE	
15	1801075	2	ANNEAU DE JOINT	
16	4841130	1	TUBE FOR BY-PASS COMP. SS	

Part Notes:

[1] - SS

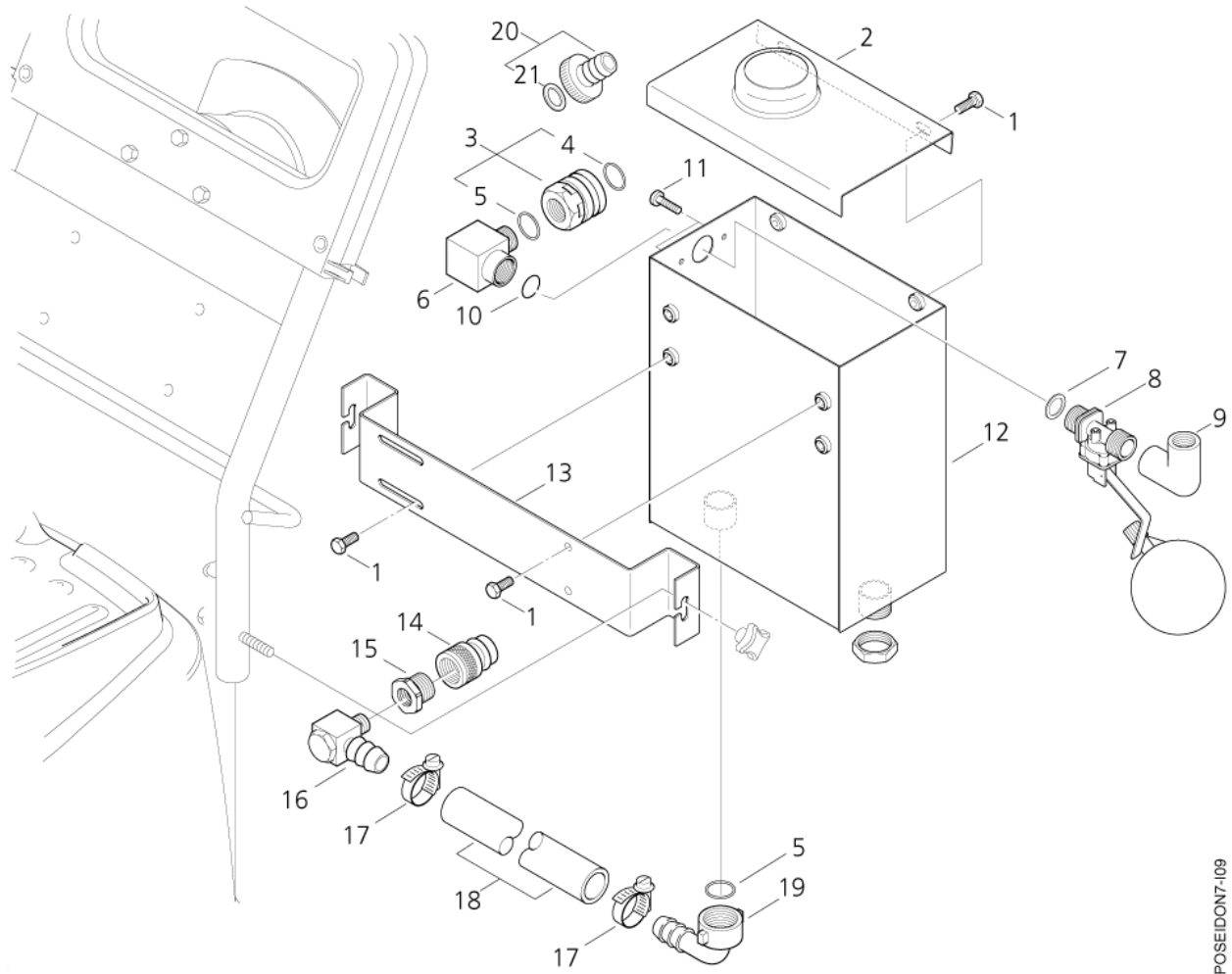




Pos.	Réf article	Qté	Désignation	Notes
1	101119415	1	KIT. REGULATEUR DE DEBIT	[1]
2	1118538	1	KIT BOUTON BY-PASS	
2A	1802610	1	ANNEAU SEEGER 18X1.0	
3	6100984	1	MANCHON TIGE DE REGLAGE	
4	1802602	1	VIS M4X6	
5	6100991	1	MANCHE NV27	[2]
6	6100980	1	VIS D'ARRET	[2]
7	3001179	1	JOINT TORIQUE 39.6X2.4	

## Part Notes:

- [1] - TSB-PPW-2010-022 Circlip 1802610
- [2] - STOCK COVERS GUARANTEE

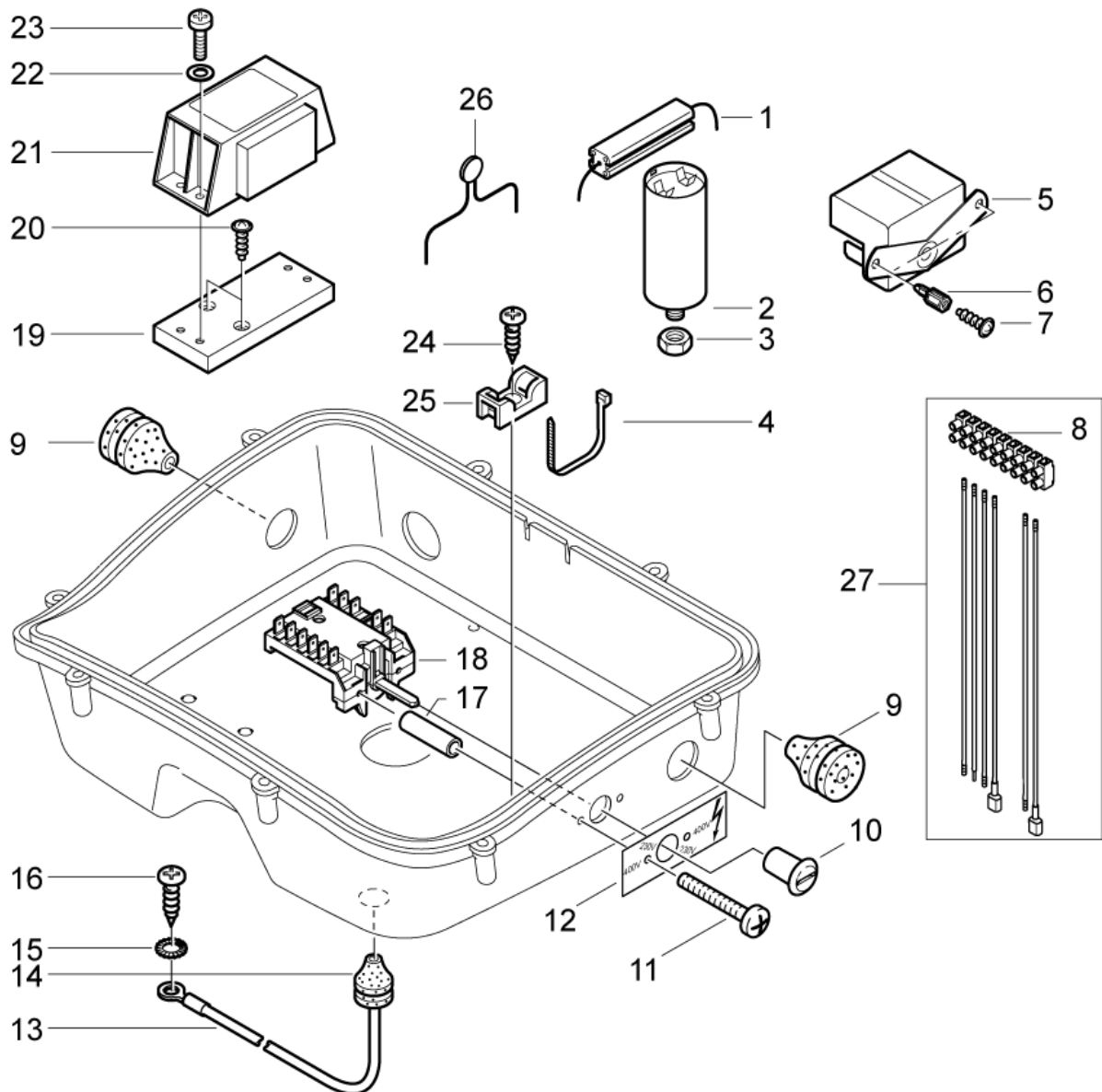


POSEIDON7-109

Pos.	Réf article	Qté	Désignation	Notes
01	8917	2	VIS M6X12	[1]
02	6100183	1	COVER FOR FLOAT CHAMBER	[1]
03	1602945	1	RACCORD RAPIDE NITO 3/4"F	[2]
04	3000320	1	JOINT TORIQUE 20X3	[2]
05	3001237	2	JOINT	[3]
06	101609351	1	ELBOW	[1]
07	3001724	1	JOINT 20X26X1	[3]
08	1117035	1	VANNE FLOTTEUR	[3]
09	1605971	1	COUDE 25X3/4 DN20	[3]
10	3000684	1	JOINT TORIQUE 18.77X1.78	[1]
11	1802891	2	VIS M4X12	[3]
12	6100164	1	BAC TAMPON	[1]
13	106100218	1	SUPPORT FOR WATER BREAK TANK	[1]
14	1602796	1	RACCORD RAPIDE MALE	[3]
15	1603069	1	SOCKET 1/2-3/4	[3]
16	6101752	1	COUDE 16 MM - 1/2 INCH	[3]
17	8289	2	FITTING XGR12/10L	[3]
18	106408242	1	TUBE DE 2M -5/8	[3]
19	20600	1	HOSE NOZZLE Ø 13/R3/4	[1]
20	61369	1	RACCORD LAITON ENTREE EAU 3/4" 19MM	[4]
21	46487	1	JOINT M21XM29	[4]
99	106101612	1	BAC TAMPON POSEIDON 7	[5]

Part Notes:

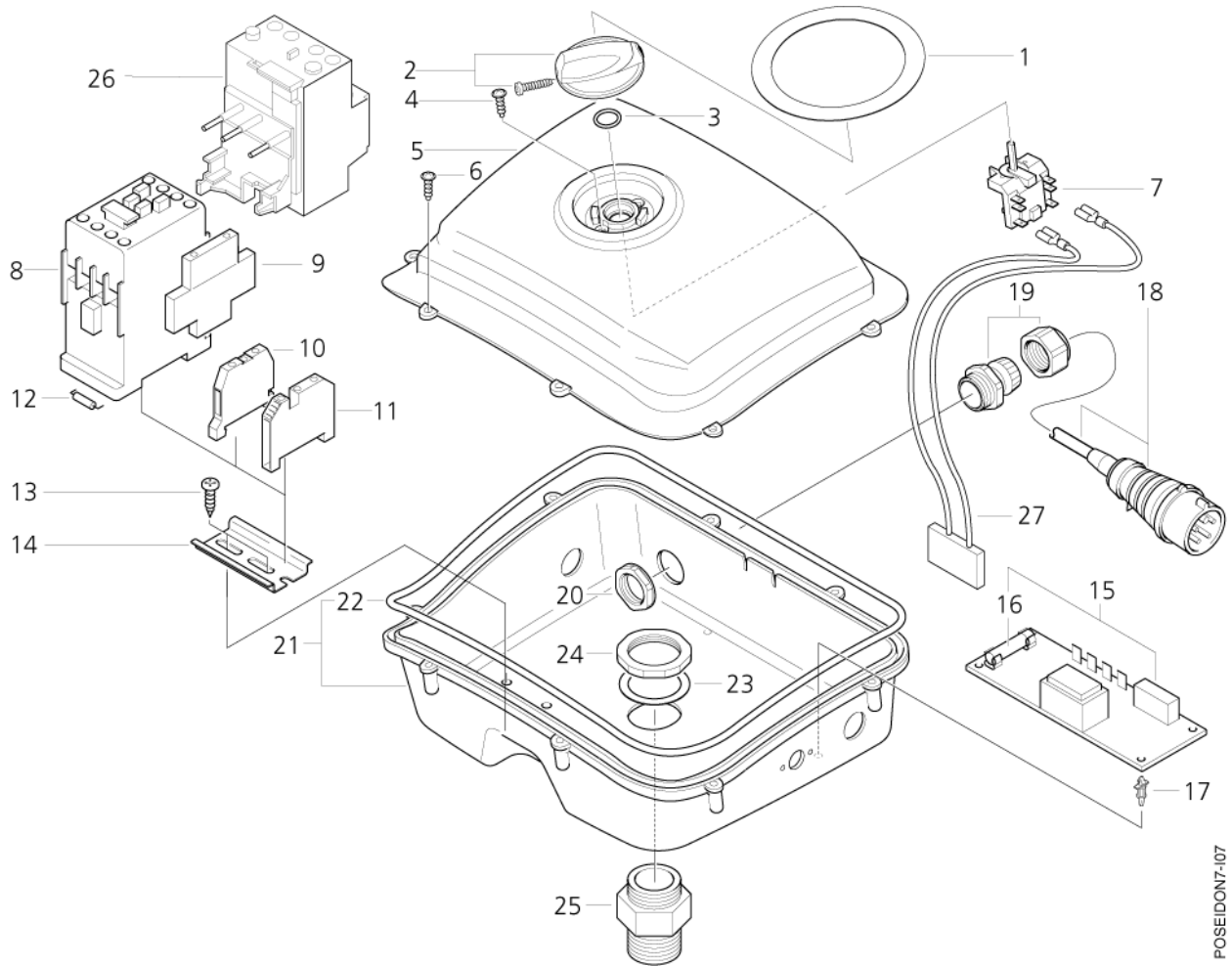
- [1] - 7-66FB  
STOCK COVERS GUARANTEE
- [2] - 7-66FB =>31.01.2005]
- [3] - 7-66FB
- [4] - 7-66FB |01.02.2005=>
- [5] - 7-66FB  
Contact Prod. Mgmt.



Pos.	Réf article	Qté	Désignation	Notes
01	301000402	1	RÉSISTANCE 15 KΩ	[1]
02	301000403	1	CONDENSATEUR 98UF / 330V	[1]
03	61467	1	ECROU HEX M8	[1]
04	8819	5	ATTACHE CABLE 4.5X1X350	
05	11060	1	RELAIS	[1]
06	4600771	1	CLIP 9.5 MM	[2]
07	1813823	2	VIS	[3]
08	101117839	1	BORNIER	
09	3803764	2	PRESSE-ETOUPE TET 5-7C	[4]
10	64580	1	BOUTON TOURNANT	[5]
11	40045	2	VIS M4X30	[6]
12	64586	1	AUTOCOLLANT	[7]
12	64787	1	LABEL 220-440V CHANGE-OVER 74X28	[8]
13	301000237	1	WIRE H05V-K 2.5X600 YELLOW GREEN	[9]
14	3803764	1	PRESSE-ETOUPE TET 5-7C	
15	4021	1	RONDELLE EVANTAIL	
16	1802586	1	VIS M4X10	[9]
17	64581	2	TUYAU D10 X D4 X 20	[10]
18	301000293	1	BORNIER - ETOILE/TRIANGLE	[11]
19	301000443	1	BASE FOR TRANSFORMER	[12]
20	11356	2	EJOT SCREW KA40X14 WN1412 ST/ZN	[13]
21	301000428	1	TRANSFORMER 500V-575V 23	[14]
22	3092	4	JOINT	[13]
23	1804814	4	SCREW M4X12	[13]
24	909100046	1	VIS KA40X8	
25	1814621	1	GUIDE SUPPORT	[9]
26	301002353	1	LIMITEUR DE COURANT DE DÉMARRAGE	[1]
27	301000388	1	CORD MOTOR 6-POL.	[15]
27	101117844	1	MOTOR CABLE 8-WIRE 3 PH 2.5MM2	[16]
27	101117860	1	POSEIDON MOTOR CABLE 9-WIRE 3PH 2.5MM2	[17]
27	101117843	1	MOTOR CABLE 8-WIRE 3 PH 1.5MM2	[18]

## Part Notes:

- [1] - 7-29
- [2] - 7-29  
Subtype local item
- [3] - 7-29  
STOCK COVERS GUARANTEE
- [4] - 7-29, 7-52, 7-52SS
- [5] - 7-59\*BE\*NO\*, 7-66\*BE\*NO\*EXP\*US\*, 7-66SS  
TSB-PPW-2016-007 Rotary knob for Voltage selector switch 230V-400V must be sealed with lacquer
- [6] - 7-59\*BE\*NO\*, 7-66\*BE\*NO\*EXP\*US\*, 7-66SS  
STOCK COVERS GUARANTEE
- [7] - 7-59\*BE\*NO\*, 7-66\*BE\*NO\*
- [8] - 7-66\*EXP\*US\*, 7-66SS  
STOCK COVERS GUARANTEE
- [9] - STOCK COVERS GUARANTEE
- [10] - 7-59\*BE\*NO\*, 7-66\*BE\*NO\*EXP\*US\*, 7-66SS  
STOCK COVERS GUARANTEE
- [11] - 7-59\*BE\*NO\*, 7-66\*BE\*NO\*EXP\*US\*, 7-66SS
- [12] - 7-66\*CA\*  
STOCK COVERS GUARANTEE
- [13] - 7-66\*CA\*
- [14] - 500V-575V 230V/50VA, 7-66\*CA\*  
STOCK COVERS GUARANTEE
- [15] - 7-29  
GUARANTEE DATE EXPIRED
- [16] - 7-59 BE, NO - 7-66 BE, NO, EXP, US  
STOCK COVERS GUARANTEE
- [17] - 7-52, 7-66 JP  
STOCK COVERS GUARANTEE
- [18] - 7-59 EU, DK - 7-66 EU, DK, CA  
STOCK COVERS GUARANTEE



POSEIDON7-107

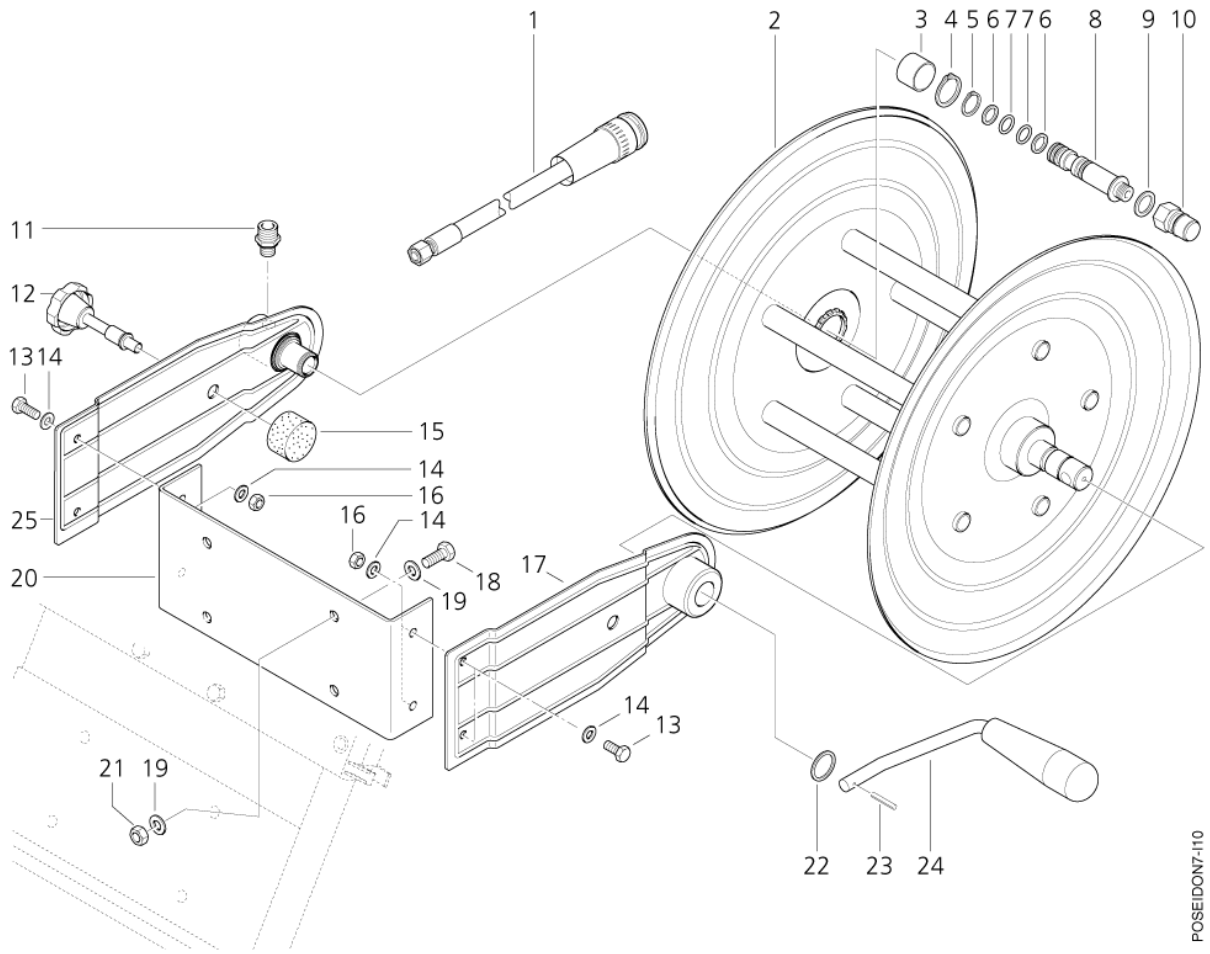
Pos.	Réf article	Qté	Désignation	Notes
1	301000267	1	DISQUE AUTOCOLLANT	[1]
2	909100204	1	BOUTON TOURNANT 6X5 BLUE	
3	9868	1	JOINT TORIQUE 10.2X2.5 NBR 70	
4	18274	2	VIS TETE FRAISEE M4X12	
5	301000189	1	COUVERCLE BOITIER ELEC	[1]
6	16861	8	VIS 4X20	[1]
7	28877	1	INTERRUPTEUR	
8	103822303	1	CONTACTEUR CJX2-D18 18A 400V 3P+NO	[2]
8	103822315	1	CONTACTOR CJX2-D32 32A 220V 3P+NO	[3]
8	103822314	1	CONTACTEUR ÉLECTROMAGNÉTIQUE 100-C30KF10	[4]
8	103822304	1	CONTACTEUR CJX2-D18 18A 230V 3P+NO	[5]
8	63915	1	CONTACTEUR ÉLECTROMAGNÉTIQUE 100-C30KF10	[6]
9	101118041	1	ANDELI LA8-DN11 SIDE MOUNT AUX CONTACT	[7]
9	64773	1	CONTACT AUXILIAIRE 100-SBL11	[8]
10	14506	1	6IRE TERMINAL 10QMM	[9]
10	3817483	1	BORNIER	
11	106408174	1	WIRE TERMINAL 10MM KIT	[10]
11	3821030	1	BORNIER	[11]
11	3807518	2	BORNIER	[12]
12	301000074	1	RESISTANCE 470 OHM 3W	[8]
13	909100046	2	VIS KA40X8	
14	22290	1	PROFILÉ SUPPORT 1 M	
15	301000181	1	PLATINE DEMARRAGE	
16	301000263	1	FUSIBLE	[13]
17	43884	4	SUPPORT DE CARTE ELECTRONIQUE	[1]
18	301000380	1	POWER CORD VCT 4X5.5X9	[14]
18	301000384	1	POWER CORD SOW AWG10/4X9	[15]
18	301000253	1	CABLE H07 RN-F 4G1,5	[16]
18	301000407	1	POWER CORD SJOW AWG10/3X9.0	[17]
18	17565	1	POWER CORD H07RN-F 3G1.5X10	[18]
18	301000337	1	CABLE D ALIMENTATION H07RN-F 4G2.5	[19]
19	64902	1	PRESSE-ETOUPE M20X1.5	[20]
19	64904	1	SCREWED CABLE GLAND	[21]
20	909100021	1	ECROU HEXAGONAL M32x1,5mm	[22]
20	909100019	1	ECROU M20X1.5	[20]
21	301000188	1	BASE TABLEAU ELECTRIQUE	[1]
22	101406054	1	JOINT	
23	301000276	1	PACKING RING Ø 45X Ø 34X2	[1]
24	20862	1	ECROU PLAT	
25	107302152	1	PRESSE-ETOUPE G3/4 INCH	
26	103822328	1	RELAIS THERMIQUE 17-25A	[23]
26	103822327	1	RELAIS THERMIQUE 12-18A	[23]
26	63906	1	OVERLOAD RELAY 9-45A 193-EEFD	[24]
26	103822329	1	RELAIS THERMIQUE 23-32AMP	[25]
27	301000235	1	CABLE ROUGE 0,25X300 2P	[1]

## Part Notes:

- [1] - STOCK COVERS GUARANTEE
- [2] - TSB-PPW-2010-002 New contactors and relays (2) 400/50-60, 7-59\*EU\*DK\*, 7-66\*EU\*DK\*
- [3] - STOCK COVERS GUARANTEE
- TSB-PPW-2010-002 New contactors and relays (2) 200/50-60, 7-52, 7-52SS, 7-63\*JP\*
- [4] - \* NOTE: 230/50-60, 7-59\*BE\*NO\*, 7-66\*BE\*NO\*US\*EXP\*, 7-66SS TSB-PPW-2010-002 New contactors and relays (2)
- [5] - 230/50/60, 7-29, 7-66\*CA\*, TSB-PPW-2010-002 New contactors and relays (2)
- [6] - 230-400/50 and 440-220/60
- [7] - ANDELI  
STOCK COVERS GUARANTEE
- [8] - 7-59\*BE\*NO\*, 7-66\*BE\*NO\*EXP\*US\*, 7-66SS
- [9] - 7-52, 7-52SS, 7-66\*JP\*US\*  
STOCK COVERS GUARANTEE



- [10] - GREY 7-52, 7-52SS  
STOCK COVERS GUARANTEE
- [11] - 7-59\*EU\*DK\*, 7-66\*EU\*DK\*  
STOCK COVERS GUARANTEE
- [12] - 7-29
- [13] - 0,63A/500V/I T Ī6,3X32
- [14] - VCT 4X5,5X9, 7-66\*JP\*  
NO LONGER AVAILABLE
- [15] - SOW AWG10/4X9, 7-66\*US\*, 7-66SS\*US\*
- [16] - H07RN-F 4G1,5X9, \*EU\*DK\*
- [17] - SJOW AWG10/3X9, 7-52, 7-52SS  
STOCK COVERS GUARANTEE
- [18] - H07RN-F 3G1,5X10, 7-29  
outphased
- [19] - H07RN-F 4G2,5X9, \*BE\*NO\*EXP\*
- [20] - 7-29, 7-59, 7-66\*EU\*BE\*NO\*DK\*EXP\*
- [21] - 7-52, 7-52SS, 7-66\*JP\*CA\*US\*, 7-66SS  
STOCK COVERS GUARANTEE
- [22] - 7-52, 7-52SS, 7-66\*JP\*CA\*US\*,7-66SS
- [23] - TSB-PPW-2010-002 New contactors and relays (2)
- [24] - 7-66\*US\*JP\*EXP\*,7-66SS\*US\*  
STOCK COVERS GUARANTEE
- [25] - JP, TSB-PPW-2010-002 New contactors and relays (2)



POSEIDON7-110

Pos.	Réf article	Qté	Désignation	Notes
00	301000202	1	ENROULEUR 20M POSEIDON 7	[1]
00	301000540	1	ENROULEUR 20M INOX	[1]
01	301000207	1	FLEXIBLE HP	
02	301000540	1	ENROULEUR 20M INOX	[2]
02	29886	1	HOSE REEL Ø 350	[3]
03	54400	1	BUSHING D28/D25X20	[4]
04	16848	1	CIRCLIP 25 X 1.2	[4]
05	49870	1	CIRCLIP	
06	19704	2	JOINT	
07	12778	2	JOINT TORIQUE 13X2.4	
08	301000320	1	RACCORD	[4]
09	1801075	1	ANNEAU DE JOINT	
10	1600493	1	RACCORD RAPIDE MALE HP EN 3/8	
11	54590	1	RACCORD	
12	43286	1	ECROU	
13	2754	4	HEX. SCREW M6X16 ISO 4017 ST 8.8/ZN	
14	2764	8	RONDELLE 6.4X1.6	
15	49872	1	BUFFER Ø 30X17	[4]
16	11619	4	ECROU M6 - 8 A2K DIN985	
17	49458	1	BRACKET BLACK	[4]
18	2753	4	VIS M8X20 ISO 4017 ZN	
19	2762	8	RONDELLE 8.4X1.6	
20	29889	1	BRACKET	[4]
21	2758	4	ECROU M8	
22	32524	1	CIRCLIP 20X1.2	
23	6130	1	TENSION-PIN M4X30 ISO 8752 ZN	
24	49788	1	CRANK	[4]
25	301000197	1	BRACKET	

## Part Notes:

- [1] - complete  
NO REPLACEMENT
- [2] - Stainless steel  
No replacement
- [3] - black painted
- [4] - STOCK COVERS GUARANTEE



---

Pos.	Réf article	Qté	Désignation	Notes
0-	106403123	1	PISTOLET ERGO 2000 VARIO PRESS	[1]
0-	106403122	1	PISTOLET ERGO 2000 STANDARD	
00	6101766	1	FLEXIBLE HP 10M DN10 2X3/8M	
01	101119745	1	BUSE TORNADO PLUS 0640	[2]
01	106403010	1	LANCE TORNADO PLUS COURBEE L112	
01	101119743	1	BUSE TORNADO PLUS 0550	[3]
02	106402190	1	PISTOLET ERGO 3000 STANDARD	[4]

## Part Notes:

- [1] - See ERGO 2000 VP Spray handle
- [2] - 7-59, 7-66
- [3] - 7-29
- [4] - Up to 2010



Pos.	Réf article	Qté	Désignation	Notes
0A	6100925	1	PISTON SOUPAPE BY-PASS	[1]
0A	6101069	1	ANNEAU SEEGER	[1]
0A	103821821	1	CONTACT REED	[1]
0A	1119310	1	KIT CLAPET COMPLET	[1]
0A	1119570	1	KIT JOINT EAU & HUILE	[1]
0A	101119411	1	KIT REPARATION	[1]
0A	1119820	1	KIT JOINT D'HUILE	[1]
0A	101119848	1	KIT CLAPET	[1]
0A	6400143	1	CONE DE SOUPAPE	[1]
0A	1119571	1	KIT JOINT D'EAU REDUIT	[1]
0A	107120567	1	PISTON F BY-PASS VALVE	[2]
0A	1119195	1	KIT CLAPETS	[1]
0A	6100941	1	FILTRE	[1]
0B	1118512	1	SOUPAPE DE SÉCURITÉ	[3]
0C	6101750	1	FLASQUE AVANT MOTEUR	[4]
0C	107120754	1	MOTOR 6.5KW 575 3 60	[5]
0C	107120752	1	MOTOR 65KW 200 3 50	[4]
0C	107120758	1	MOTOR 2.1KW 230 1 50	[5]
0C	3200656	1	ROULEMENT A AIGUILLES	[4]
0C	301000402	1	RÉSISTANCE 15 KΩ	[4]
0C	107120757	1	MOTOR 5.0KW 208 230 1 60	[4]
0C	28877	1	INTERRUPTEUR	[4]
0C	107120704	1	DISQUE D'APPUI PISTONS	[4]
0C	107140617	1	COUVERCLE ARRIERE DE STATOR DE POMPE	[6]
0C	4600771	1	CLIP 9.5 MM	[7]
0C	107120716	1	DISQUE OBLIQUE 12	[4]
0C	301000181	1	PLATINE DEMARRAGE	[4]
0C	103822328	1	RELAIS THERMIQUE 17-25A	[4]
0C	301000415	1	CONDENSATEUR 80UF / 420 V	[8]
0C	6100611	1	FLASQUE ARRIERE MOTEUR	[4]
0C	3601262	1	MANOMETRE 0-300 BARS	[4]
0C	103822315	1	CONTACTOR CJX2-D32 32A 220V 3P+NO	[8]
0C	3200615	1	ROULEMENT A ROULEAUX	[4]
0C	107120751	1	MOTOR 6.5KW 440 220 3 60	[4]
0C	1802511	1	ANNEAU SEEGER 28X1.2	[4]
0C	107120705	1	DISQUE OBLIQUE 1 - 2.4 KW	[8]
0C	107120755	1	MOTOR 5.5KW 400 415.230 3 50	[8]
0C	301000403	1	CONDENSATEUR 98UF / 330V	[4]
0C	107120708	1	DISQUE OBLIQUE 4	[4]
0C	301002353	1	LIMITEUR DE COURANT DE DÉMARRAGE	[4]
0C	107120753	1	MOTOR 6.5KW 200 3 60	[4]
0C	3200664	1	ROULEMENT A AIGUILLES	[4]
0C	11060	1	RELAIS	[4]
0C	103822304	1	CONTACTEUR CJX2-D18 18A 230V 3P+NO	[4]
0C	3200623	1	ROULEMENT A BILLES	[4]
0C	103822327	1	RELAIS THERMIQUE 12-18A	[4]
0C	107140615	1	KIT FASQUE AVANT MOTEUR AVEC ROULEMENT	[4]
0C	107120715	1	DISQUE OBLIQUE 11	[4]
0C	103822329	1	RELAIS THERMIQUE 23-32AMP	[4]
0C	301000207	1	FLEXIBLE HP	[4]
0C	103822314	1	CONTACTEUR ÉLECTROMAGNÉTIQUE 100-C30KF10	[4]
0C	6100602	1	FLAQUE AVANT POMPE	[4]
0C	107120710	1	DISQUE OBLIQUE 6	[4]
0C	107120750	1	MOTEUR 3X400-415/230 50HZ	[4]
0C	103822303	1	CONTACTEUR CJX2-D18 18A 400V 3P+NO	[4]
0C	301000428	1	TRANSFORMER 500V-575V 23	[8]

Part Notes:

- [1] - A
- [2] - A  
STOCK COVERS GUARANTEE
- [3] - B
- [4] - C
- [5] - C  
NO LONGER AVAILABLE
- [6] - C  
ALTERNATIVE USE 107142277
- [7] - C  
Subtype local item
- [8] - C  
STOCK COVERS GUARANTEE



